



US00D602692S

(12) **United States Design Patent**
Wu

(10) **Patent No.:** **US D602,692 S**
(45) **Date of Patent:** **** Oct. 27, 2009**

(54) **TOOL BOX**

(75) Inventor: **Ming-Chien Wu**, Dali (TW)

(73) Assignee: **Keenco Industrial Co., Ltd.**, Taichung County (TW)

(**) Term: **14 Years**

(21) Appl. No.: **29/329,144**

(22) Filed: **Dec. 9, 2008**

(51) **LOC (9) Cl.** **03-01**

(52) **U.S. Cl.** **D3/282; 294/905**

(58) **Field of Classification Search** D3/201,
D3/203.1, 260, 262, 273-274, 276, 282, 294-295,
D3/315, 903, 905; 206/349, 372-378
See application file for complete search history.

(56) **References Cited**

U.S. PATENT DOCUMENTS

D324,308 S *	3/1992	Chen	D3/282
D336,049 S *	6/1993	Patridge, Jr.	D3/273
D345,650 S *	4/1994	Boyd	D3/294
D357,117 S *	4/1995	Huang	D3/276
D440,043 S *	4/2001	Miller et al.	D3/282
D455,263 S *	4/2002	Schoen et al.	D3/282
D477,913 S *	8/2003	Fang	D3/282

D484,309 S *	12/2003	Lee	D3/282
D485,437 S *	1/2004	Lee	D3/282
D498,923 S *	11/2004	Chang	D3/282
D516,311 S *	3/2006	Lai	D3/282
D579,201 S *	10/2008	Galli	D3/273

* cited by examiner

Primary Examiner—Philip S Hyder

Assistant Examiner—Roselynn Cody

(74) *Attorney, Agent, or Firm*—Banger Shia

(57) **CLAIM**

The ornamental design for a tool box, as shown and described.

DESCRIPTION

FIG. 1 is a perspective view of a tool box showing my new design;

FIG. 2 is a front elevational view thereof;

FIG. 3 is a rear elevational view thereof;

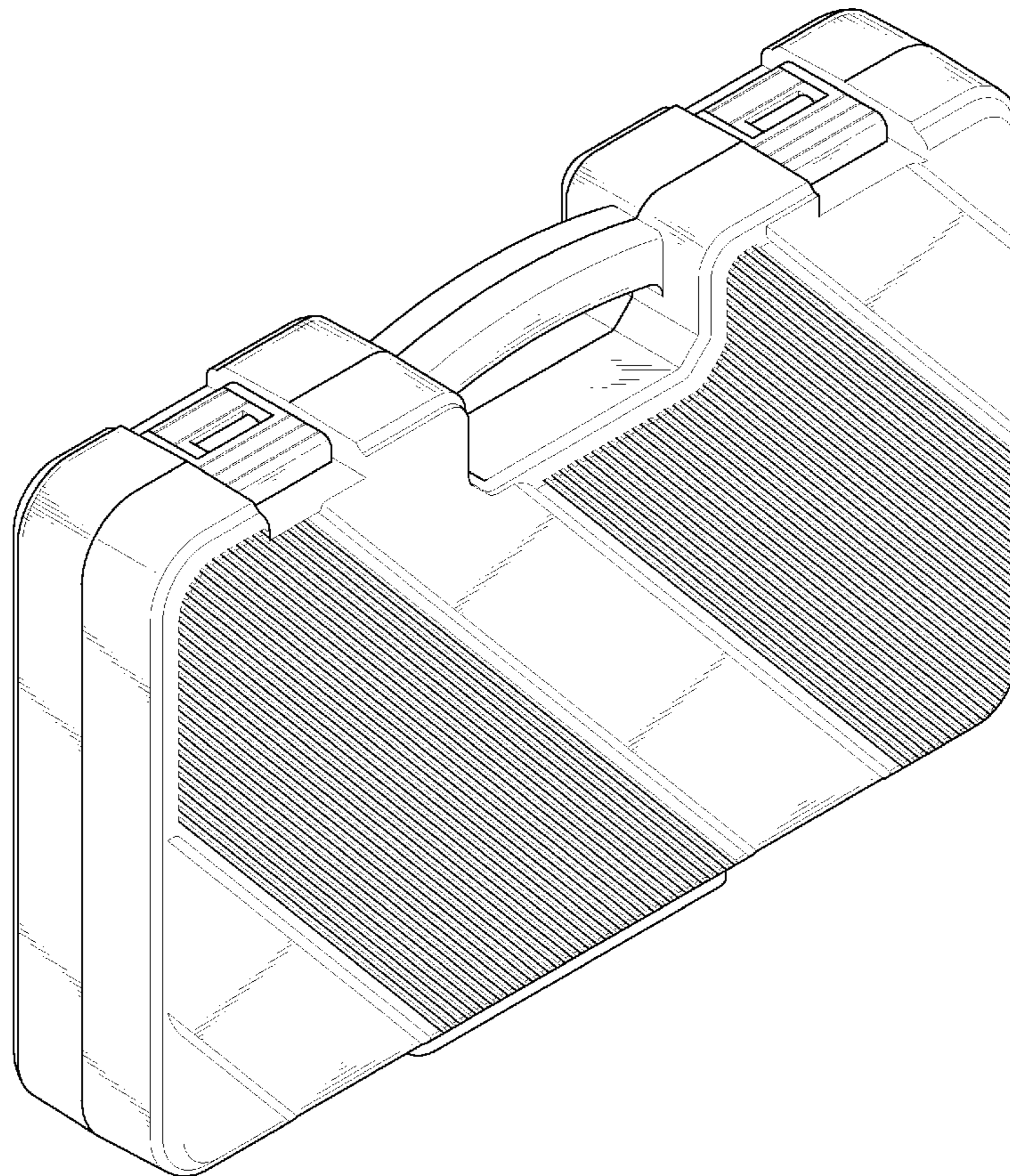
FIG. 4 is a left side elevational view thereof;

FIG. 5 is a right side elevational view thereof;

FIG. 6 is a top plan view thereof; and,

FIG. 7 is a bottom plan view thereof.

1 Claim, 5 Drawing Sheets



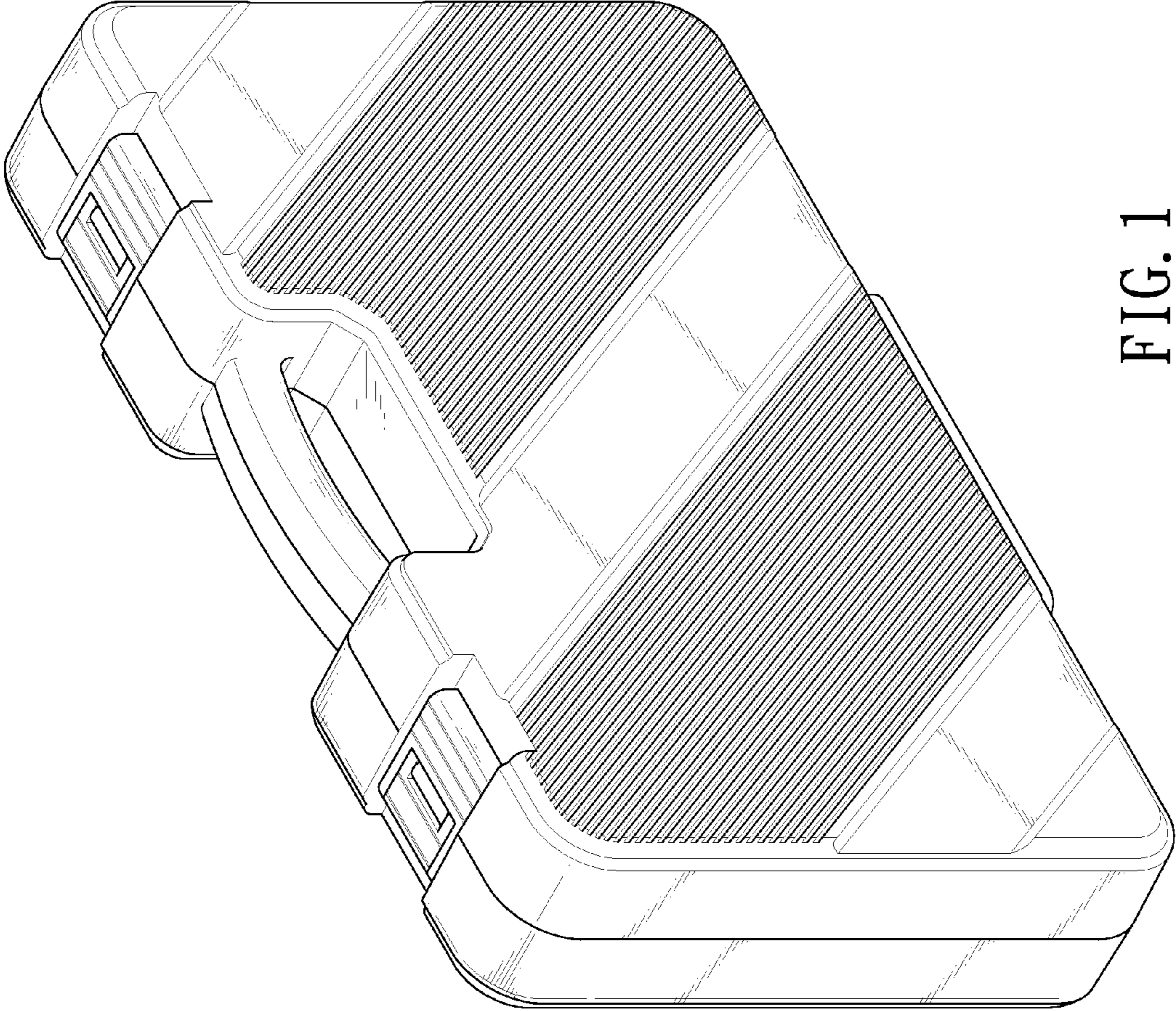


FIG. 1

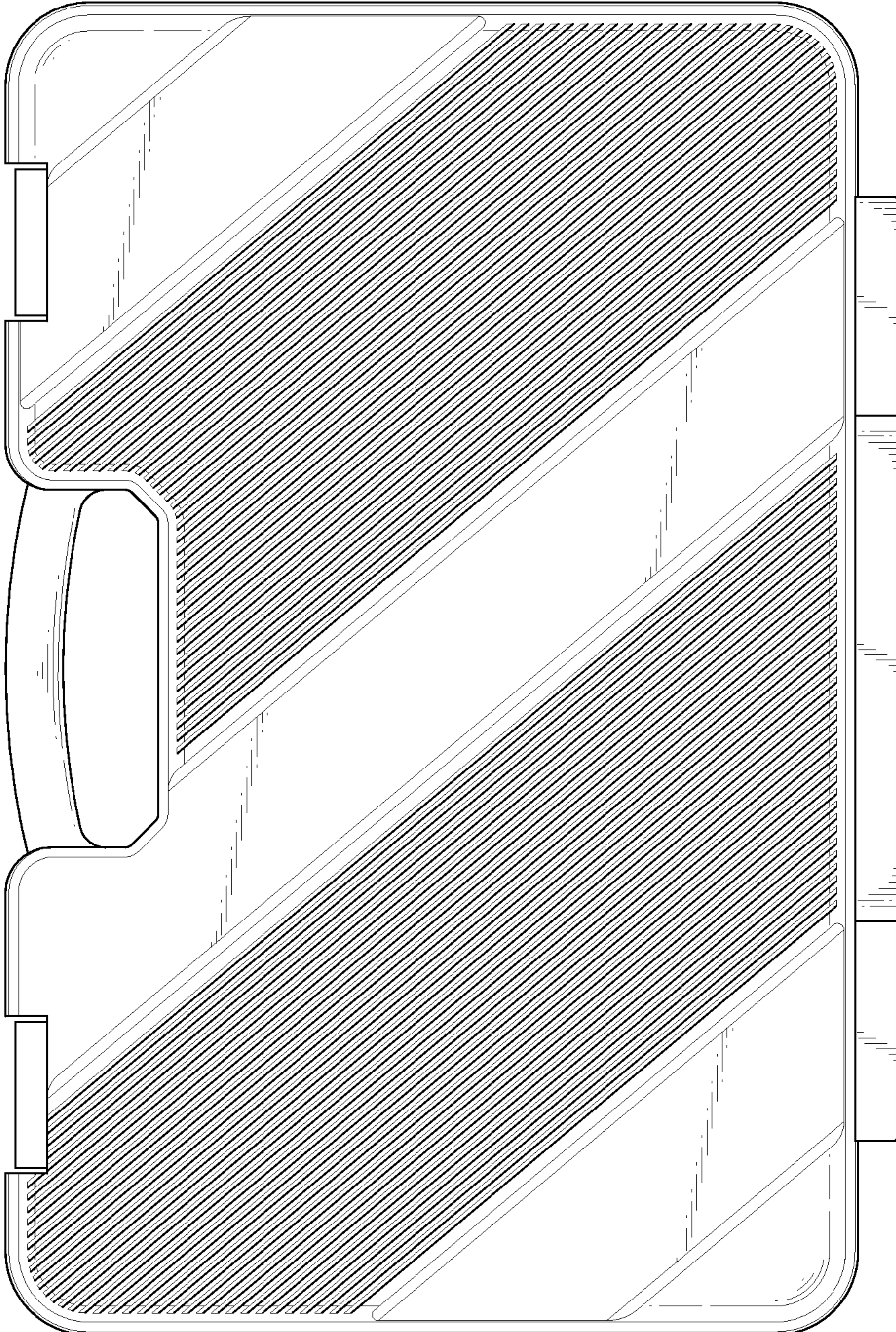


FIG. 2

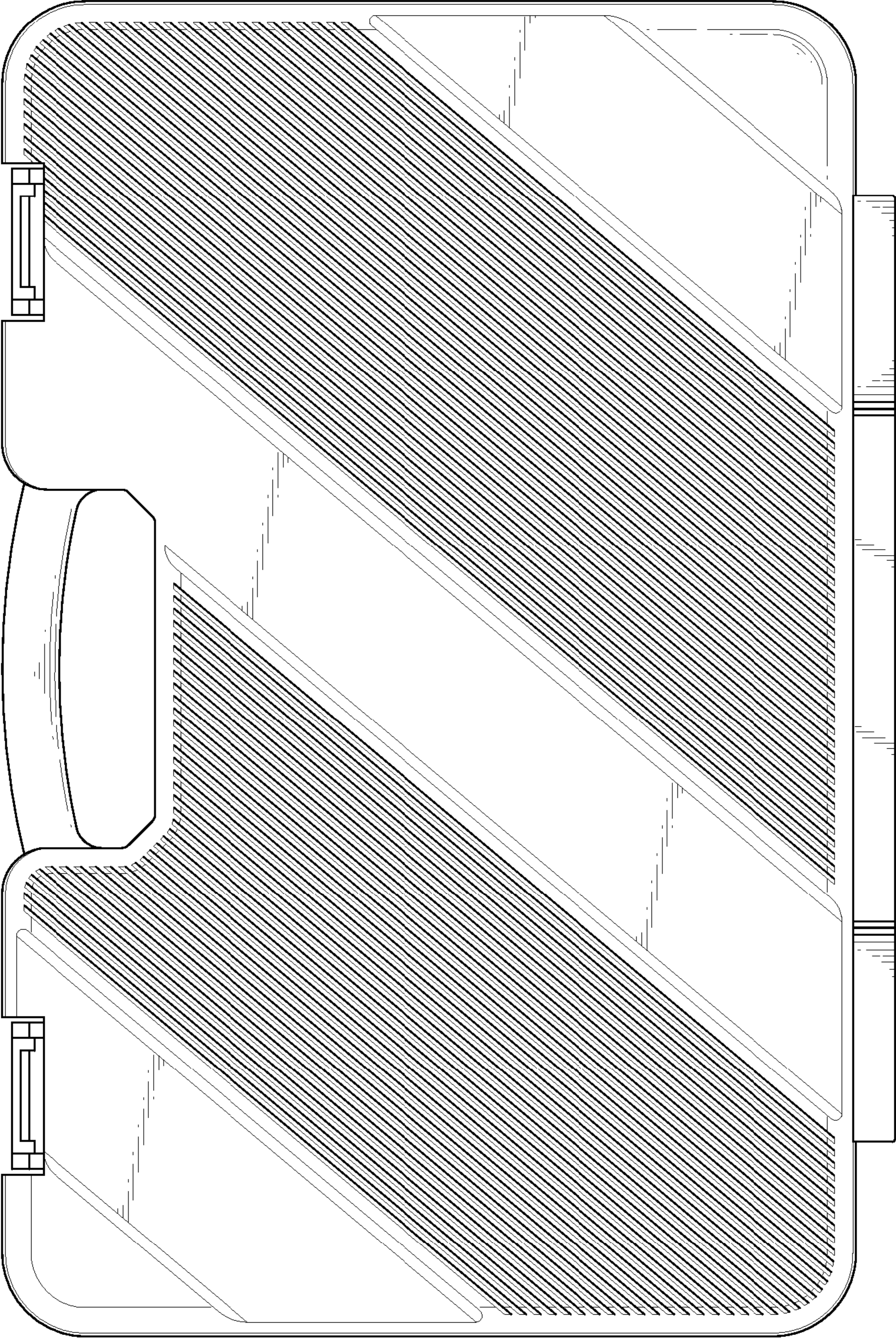


FIG. 3

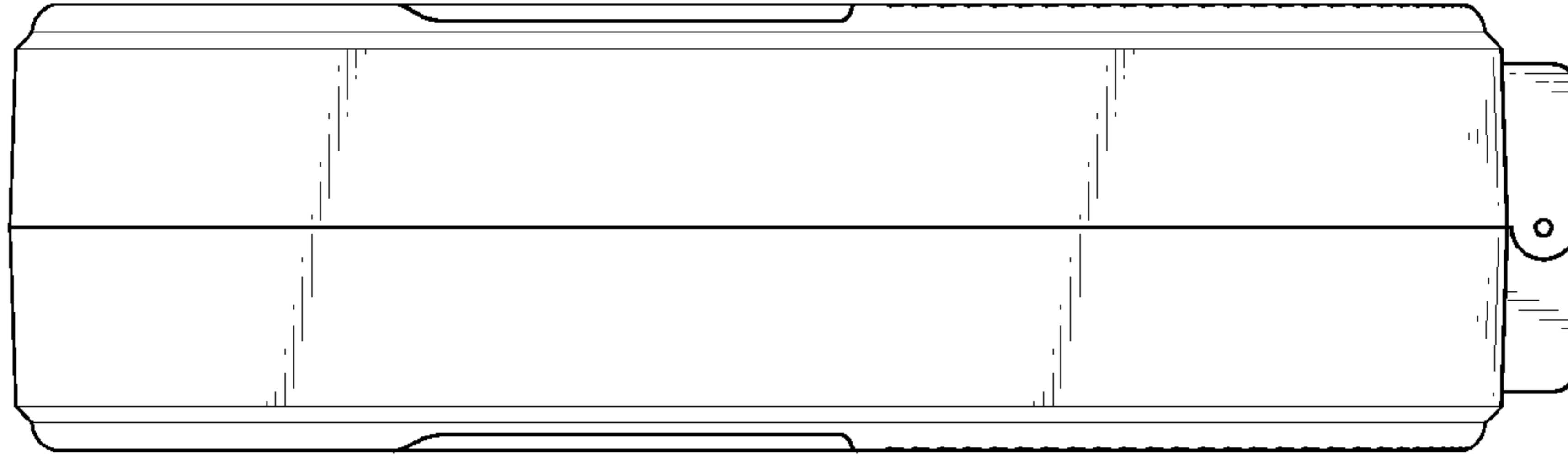


FIG. 5

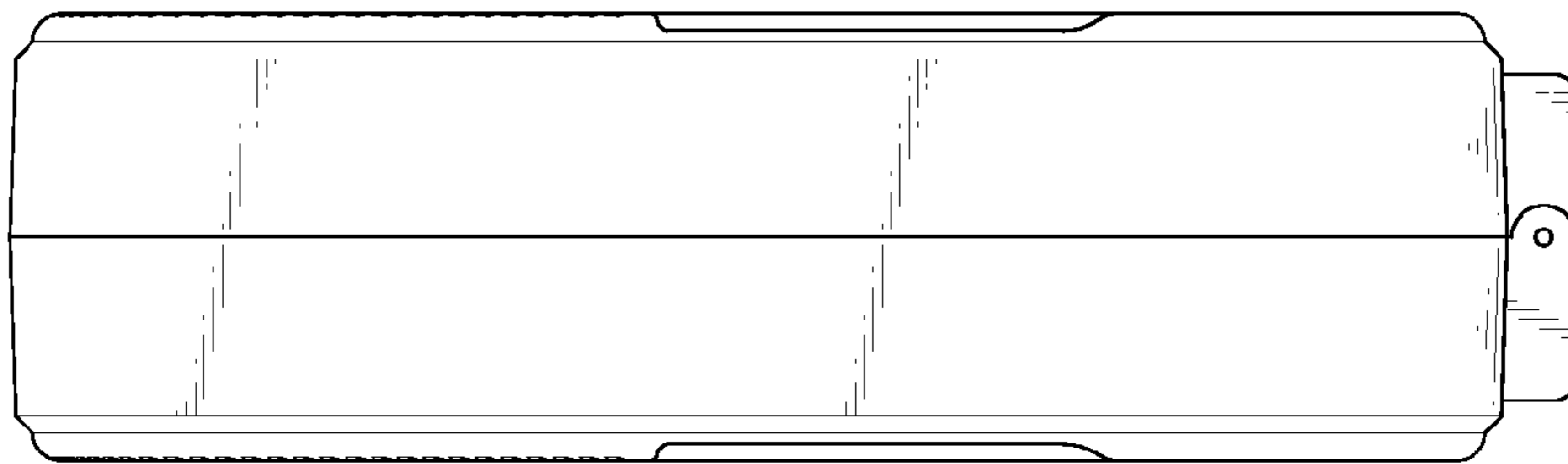


FIG. 4

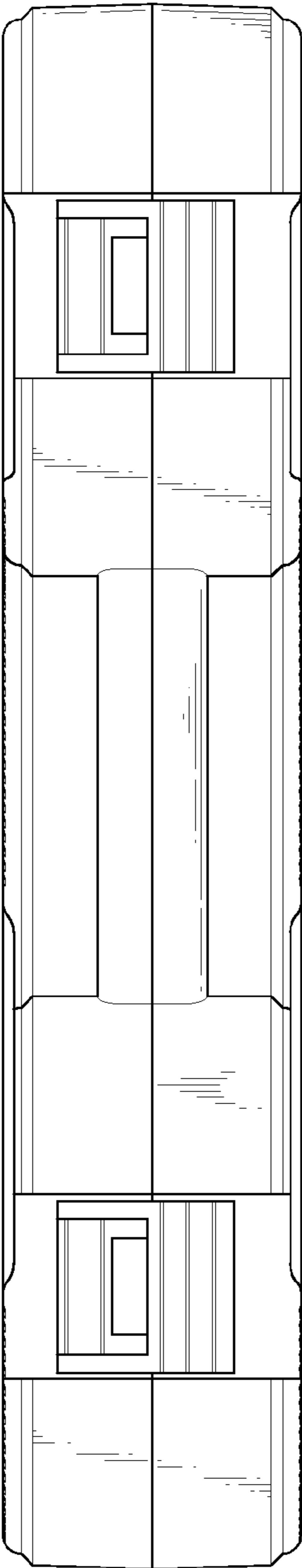


FIG. 6

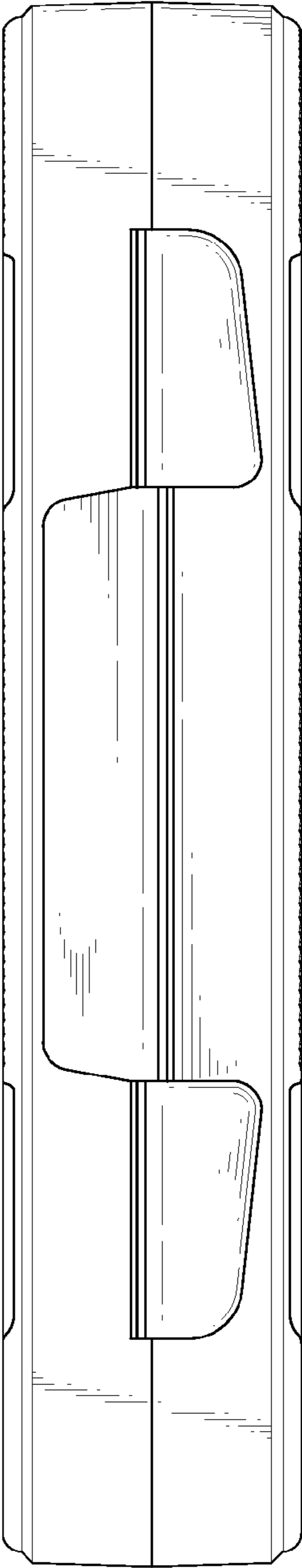


FIG. 7