



US00D602691S

(12) **United States Design Patent**  
**Kerr**

(10) **Patent No.:** **US D602,691 S**

(45) **Date of Patent:** **\*\* Oct. 27, 2009**

(54) **HOME BASKET**

(76) Inventor: **John Kerr**, 48 Orangefield Drive,  
Prestwick Ayrshire (GB)

(\*\*) Term: **14 Years**

(21) Appl. No.: **29/309,468**

(22) Filed: **Aug. 20, 2008**

(51) **LOC (9) Cl.** ..... **03-01**

(52) **U.S. Cl.** ..... **D3/279**

(58) **Field of Classification Search** ..... D3/272–273,  
D3/279, 283–284, 286, 288, 294, 302; D9/424,  
D9/432; D32/37; 190/18 A, 18 R; 220/524,  
220/826

See application file for complete search history.

(56) **References Cited**

**U.S. PATENT DOCUMENTS**

D51,989	S	*	4/1918	Polouboyarenof	.....	D3/271.12
3,591,194	A	*	7/1971	Vega	.....	280/79.2
4,143,695	A	*	3/1979	Hoehn	.....	220/826
4,643,327	A	*	2/1987	Campbell	.....	220/215
4,724,681	A	*	2/1988	Bartholomew et al.	.....	62/239
5,064,088	A	*	11/1991	Steffes	.....	220/837
D333,386	S	*	2/1993	Kahl	.....	D3/288
D340,620	S	*	10/1993	Peters	.....	D7/605
5,423,195	A	*	6/1995	Peters	.....	62/457.7
D373,022	S	*	8/1996	Sagol	.....	D3/279
D396,779	S	*	8/1998	Moffett et al.	.....	D7/605
D421,678	S	*	3/2000	Levy	.....	D3/279
6,050,442	A	*	4/2000	Wysocki	.....	220/524
D452,418	S	*	12/2001	Moffett et al.	.....	D7/605
D480,560	S	*	10/2003	Tanji	.....	D3/294
D493,282	S	*	7/2004	Dubois et al.	.....	D3/273
D513,121	S	*	12/2005	Rosine et al.	.....	D3/273
D515,313	S	*	2/2006	Uffner et al.	.....	D3/294
D519,734	S	*	5/2006	Richardson et al.	.....	D3/294
D543,030	S	*	5/2007	Schafer	.....	D3/272
D590,153	S	*	4/2009	Sapp	.....	D3/279
2005/0072783	A1	*	4/2005	Choi	.....	220/258.2

\* cited by examiner

*Primary Examiner*—Philip S Hyder  
*Assistant Examiner*—Roselyne Cody

(74) *Attorney, Agent, or Firm*—Drinker Biddle & Reath LLP

(57) **CLAIM**

We claim the ornamental design for home basket, as shown and described.

**DESCRIPTION**

FIG. 1 shows a perspective view of the home basket in transport position.

FIG. 2 shows a front view of the home basket in FIG. 1.

FIG. 3 shows a side view from the left side of the home basket in FIG. 1.

FIG. 4 shows a side view from the right side of the home basket in FIG. 1.

FIG. 5 shows a top plan view of the home basket in FIG. 1.

FIG. 6 shows a bottom view of the home basket in FIG. 1.

FIG. 7 shows a back view of the home basket in FIG. 1.

FIG. 8 shows a perspective view of the home basket with inserts removed.

FIG. 9 shows a perspective view of the home basket showing lids in an open position.

FIG. 10 shows a front view of the home basket in FIG. 9.

FIG. 11 shows a side view from the left side of the home basket in FIG. 9.

FIG. 12 shows a side view from the right side of the home basket in FIG. 9.

FIG. 13 shows a top plan view of the home basket in FIG. 9.

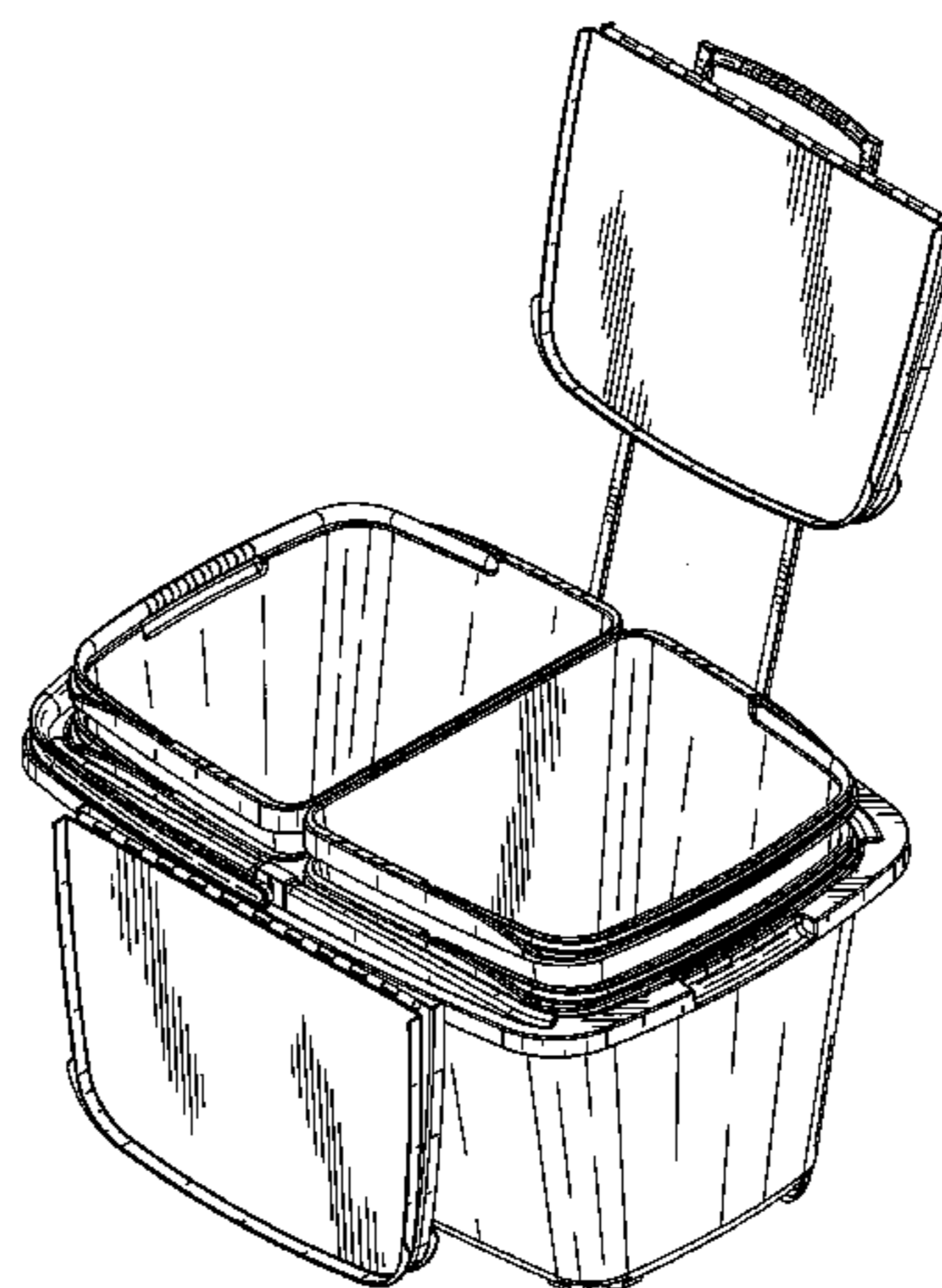
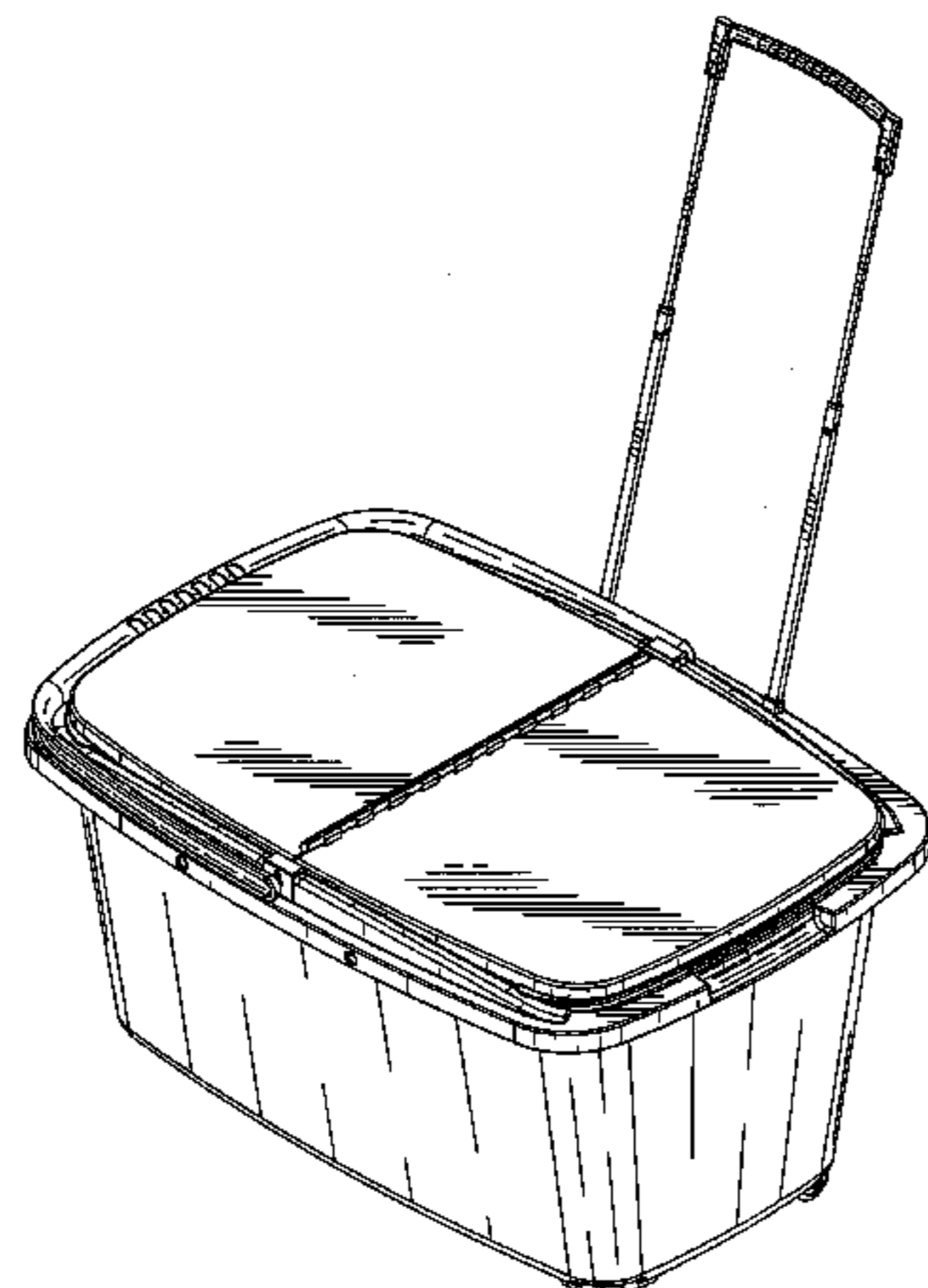
FIG. 14 shows a bottom view of the home basket in FIG. 9.

FIG. 15 shows a back view of the home basket in FIG. 9; and,

FIG. 16 shows an exploded perspective view of the home basket with removable inserts and a single lid.

The broken lines in FIGS. 6 and 14 illustrate environment and form no part of the claimed design.

**1 Claim, 16 Drawing Sheets**



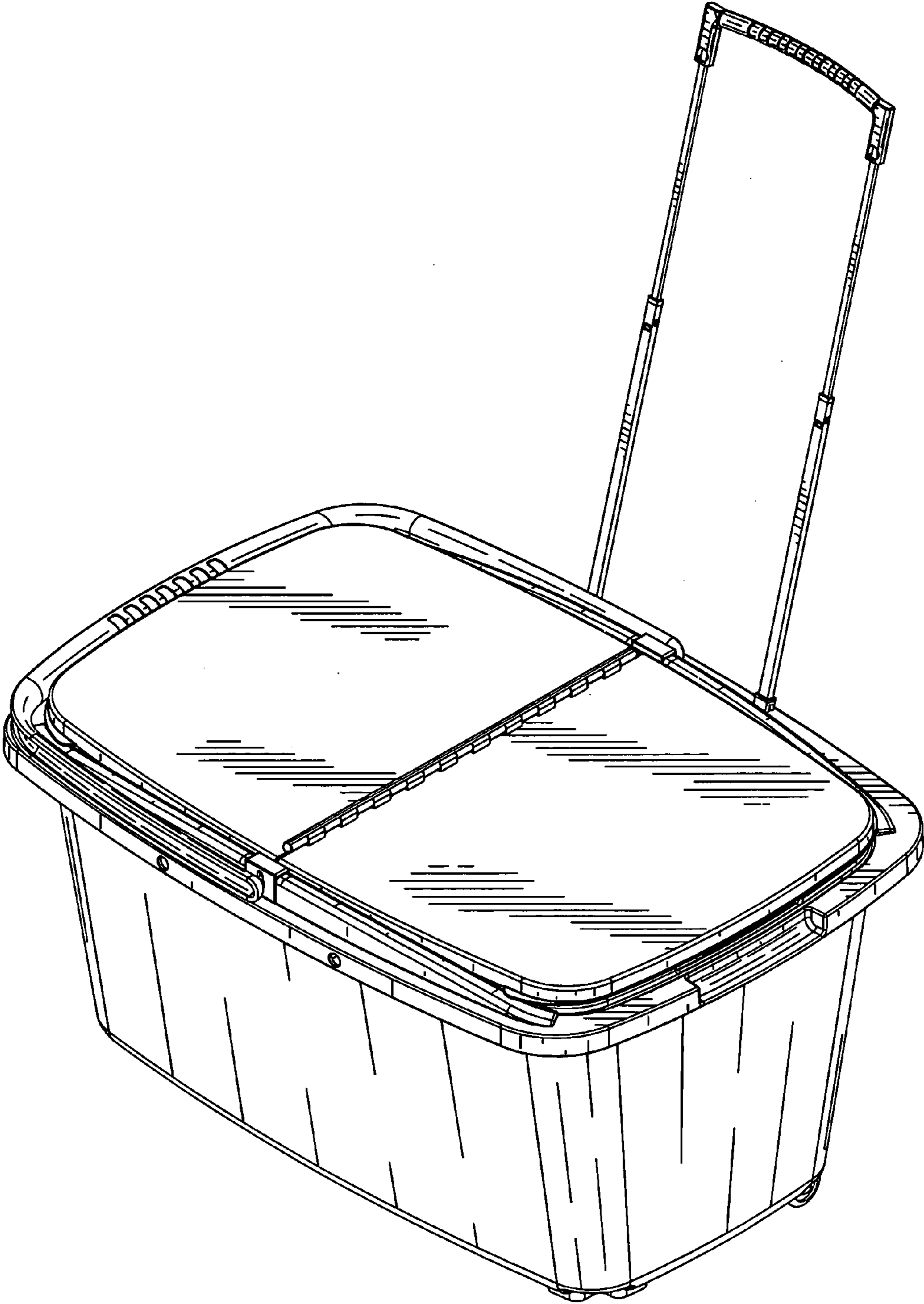


FIG. 1

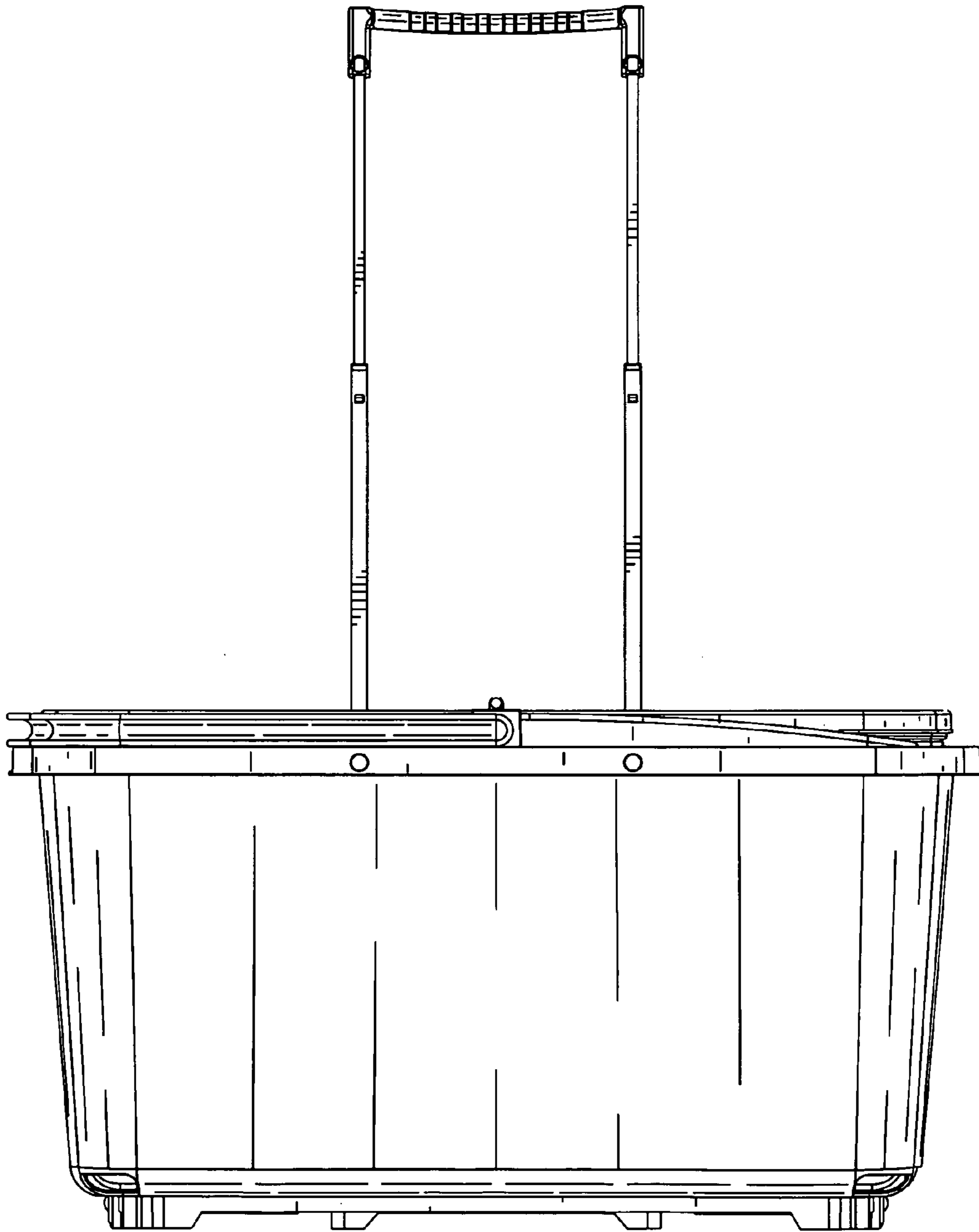


FIG. 2

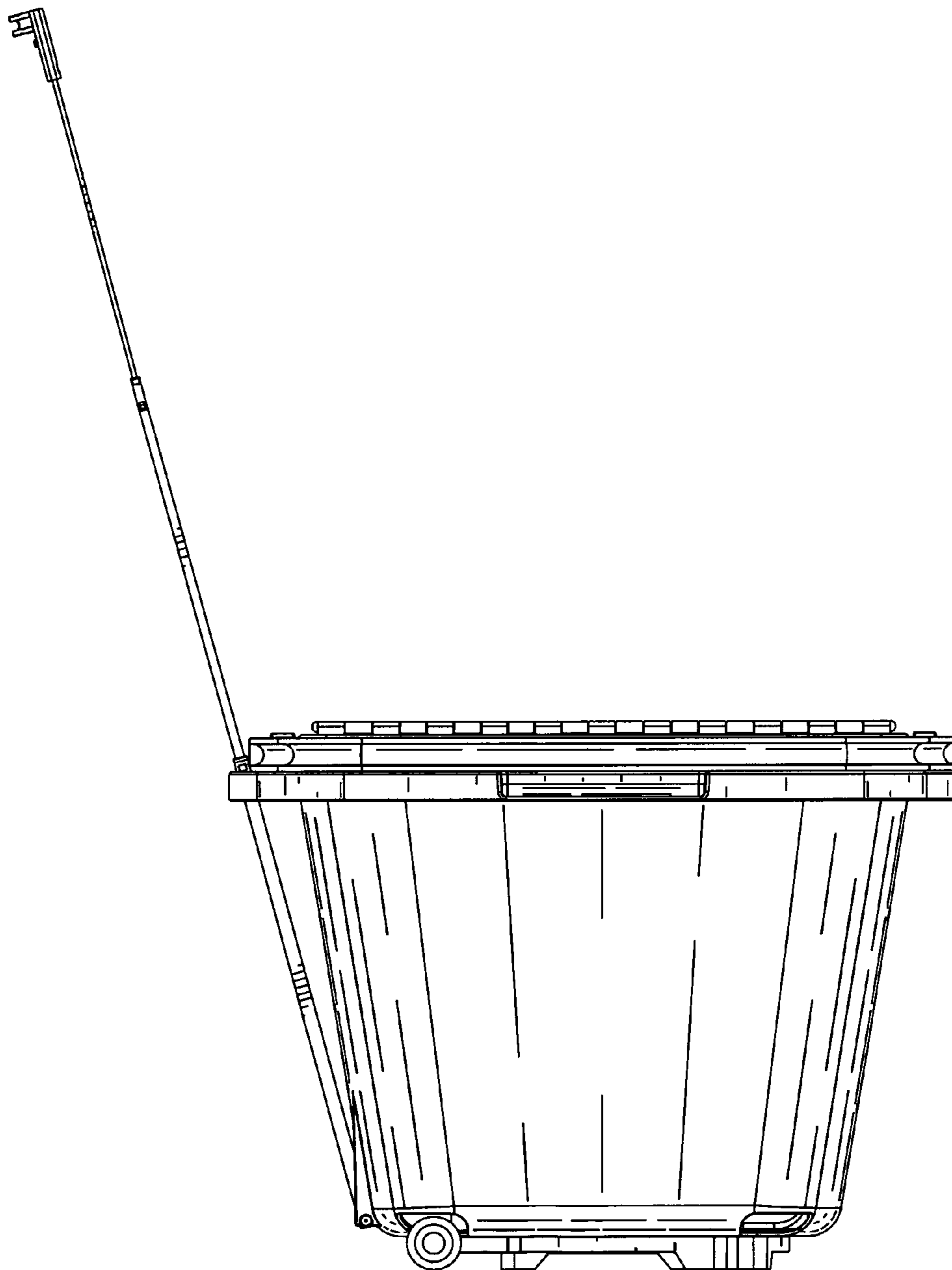


FIG. 3

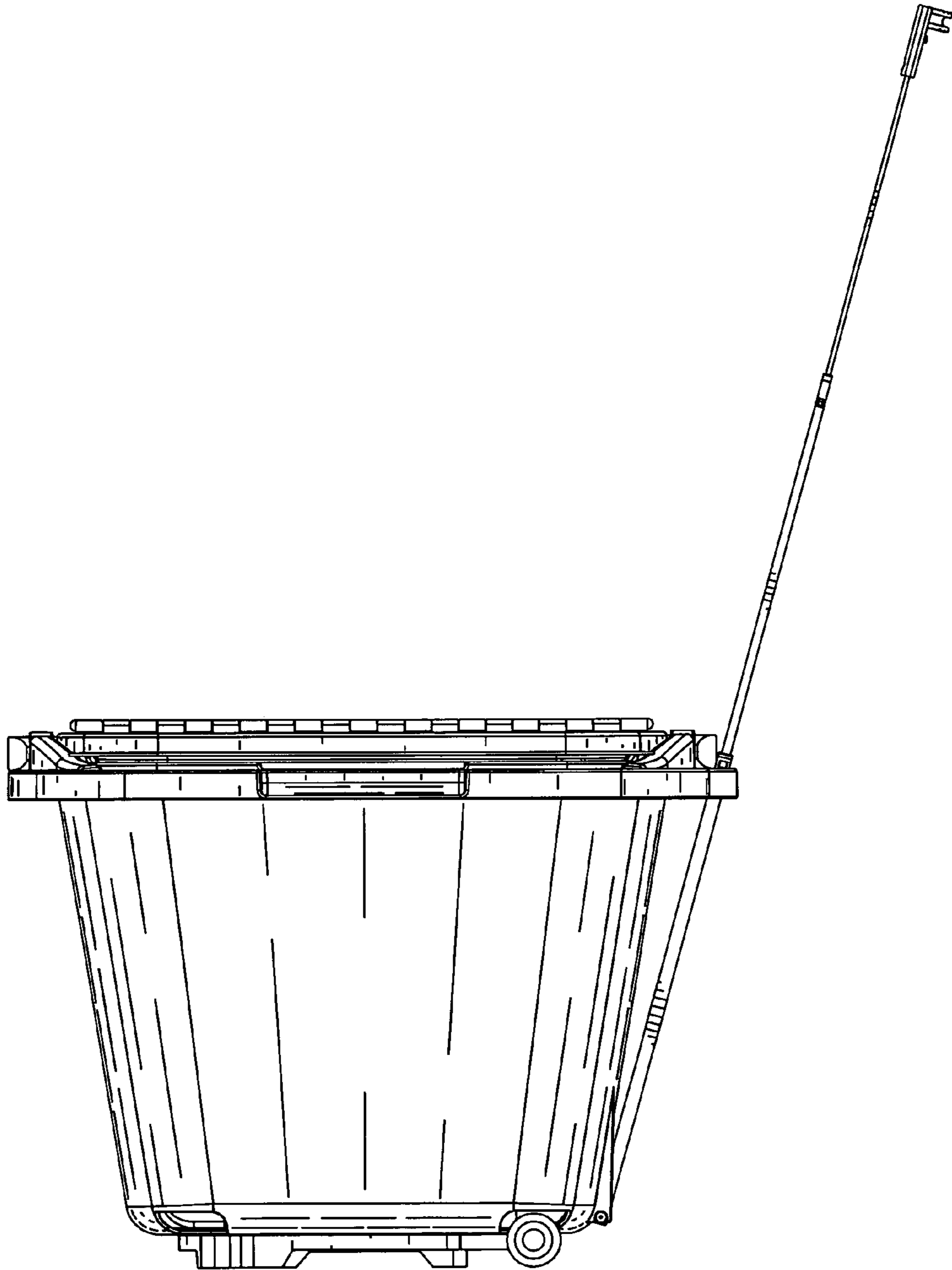


FIG. 4



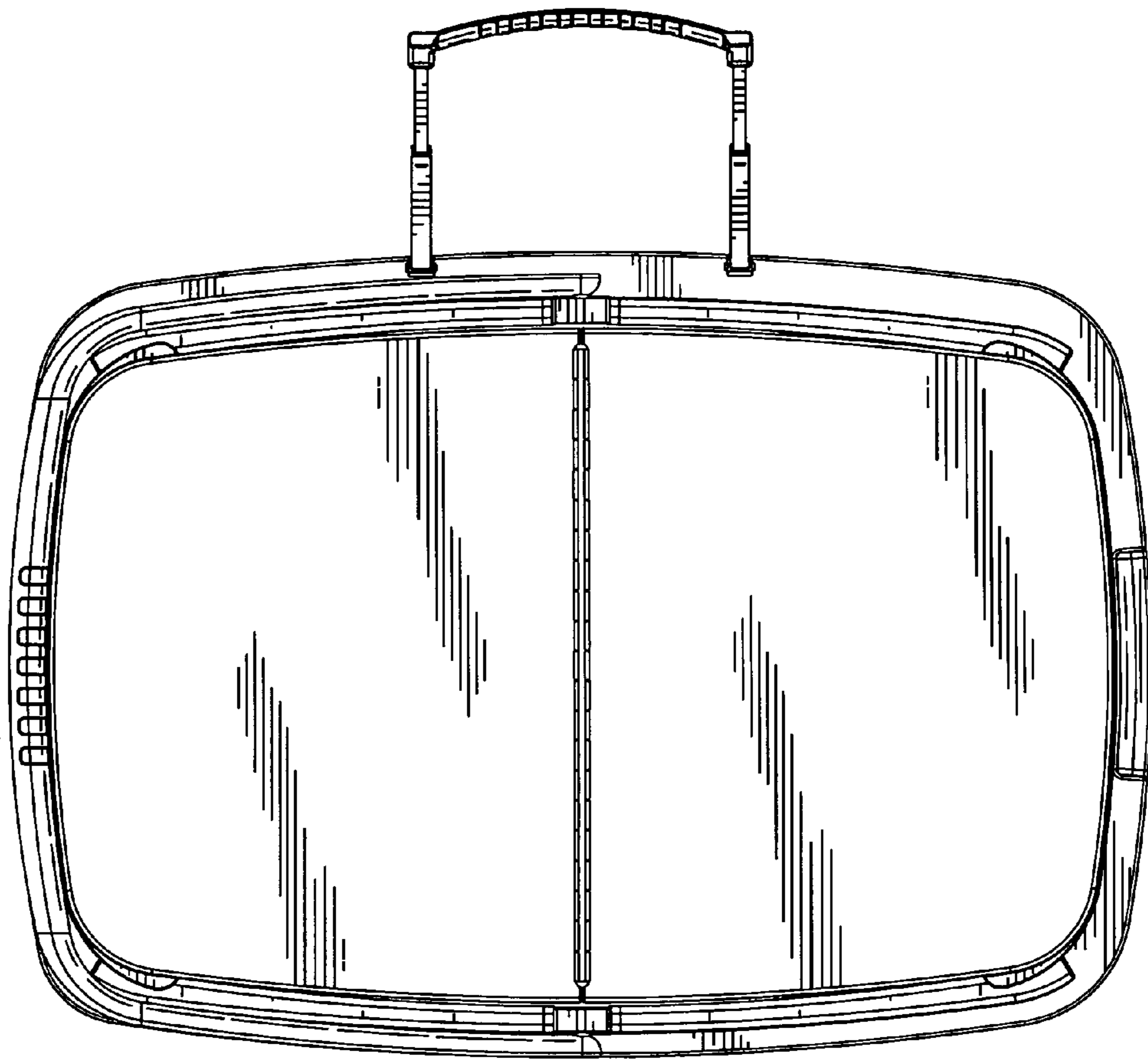


FIG. 5

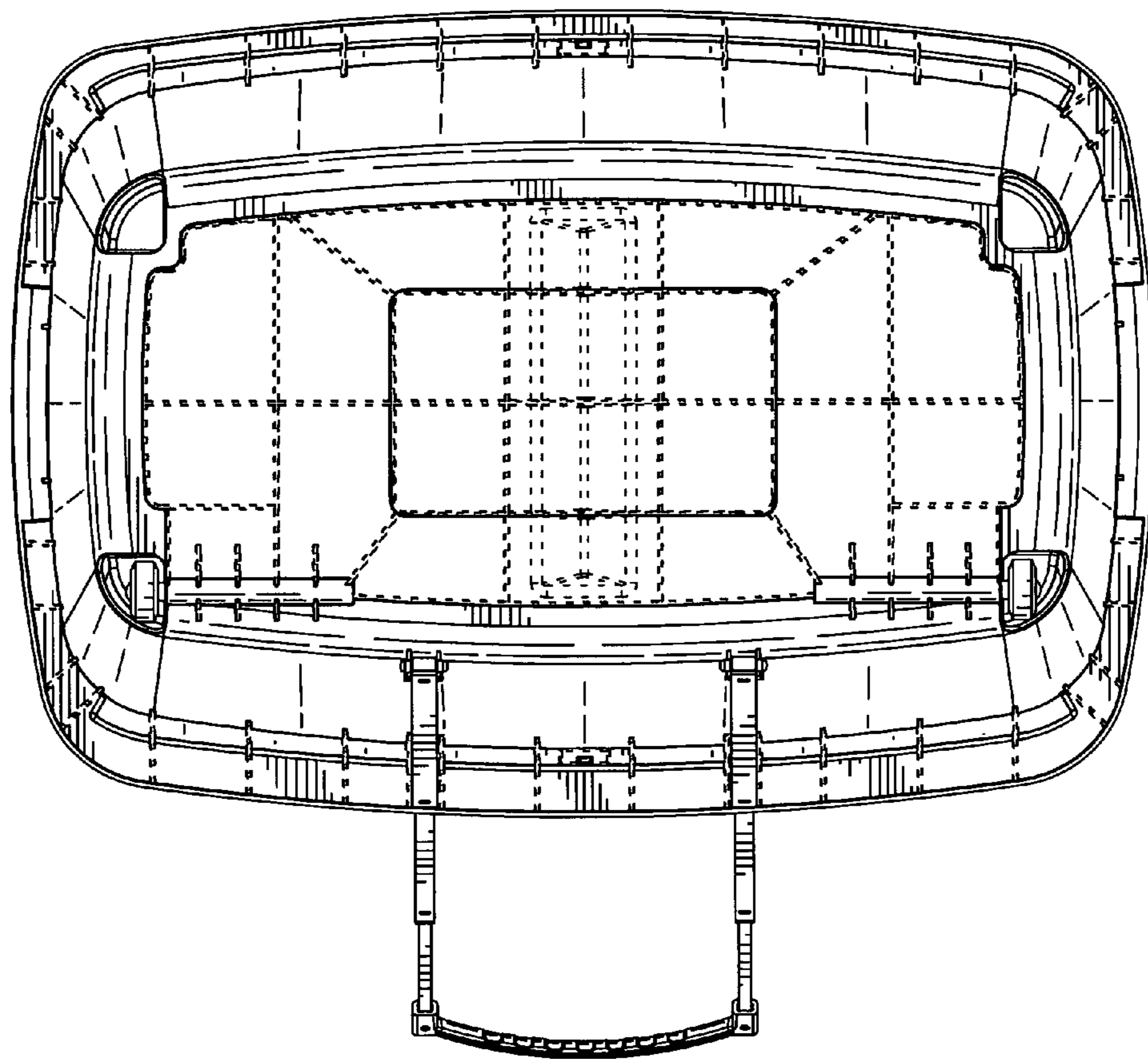


FIG. 6

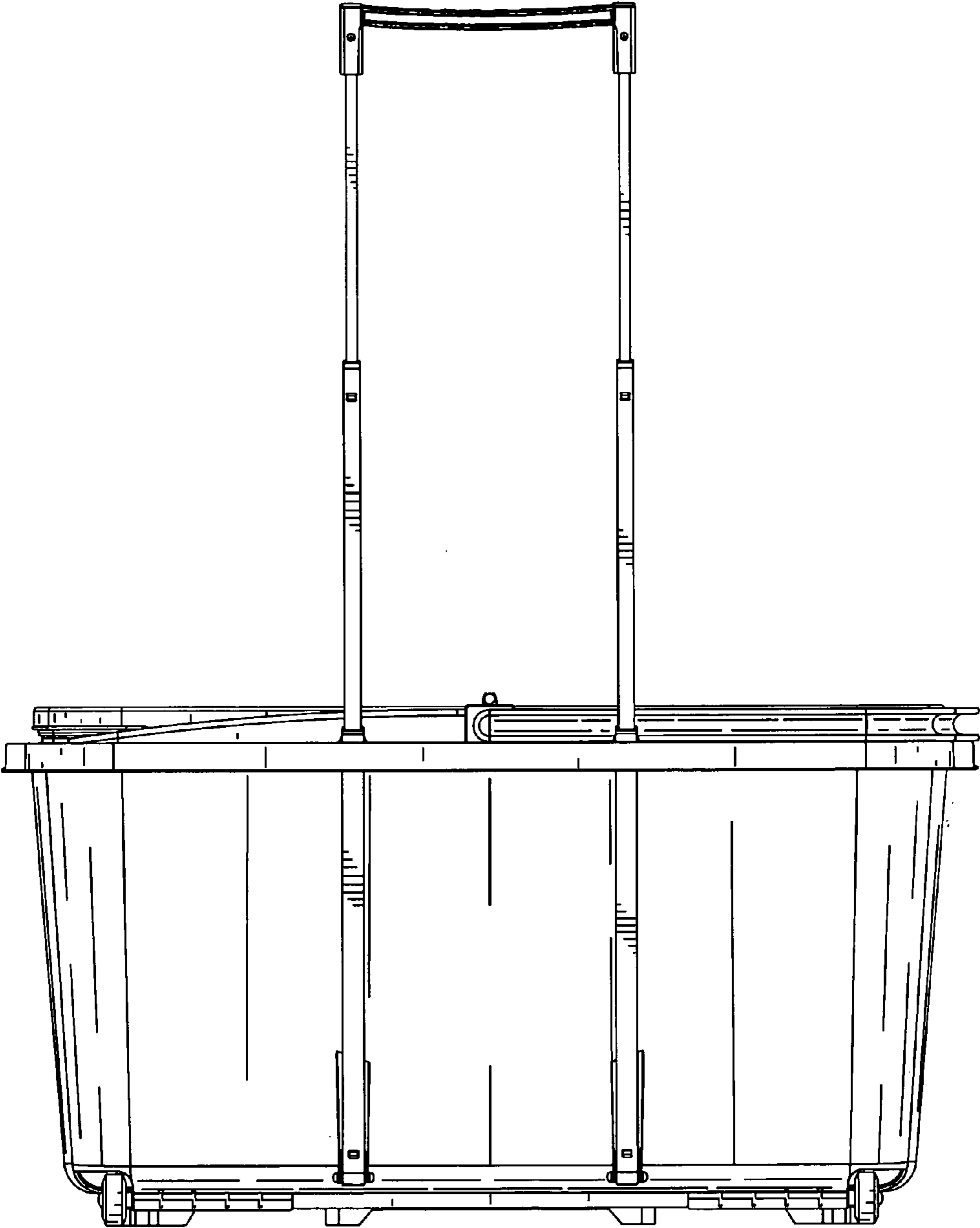


FIG. 7



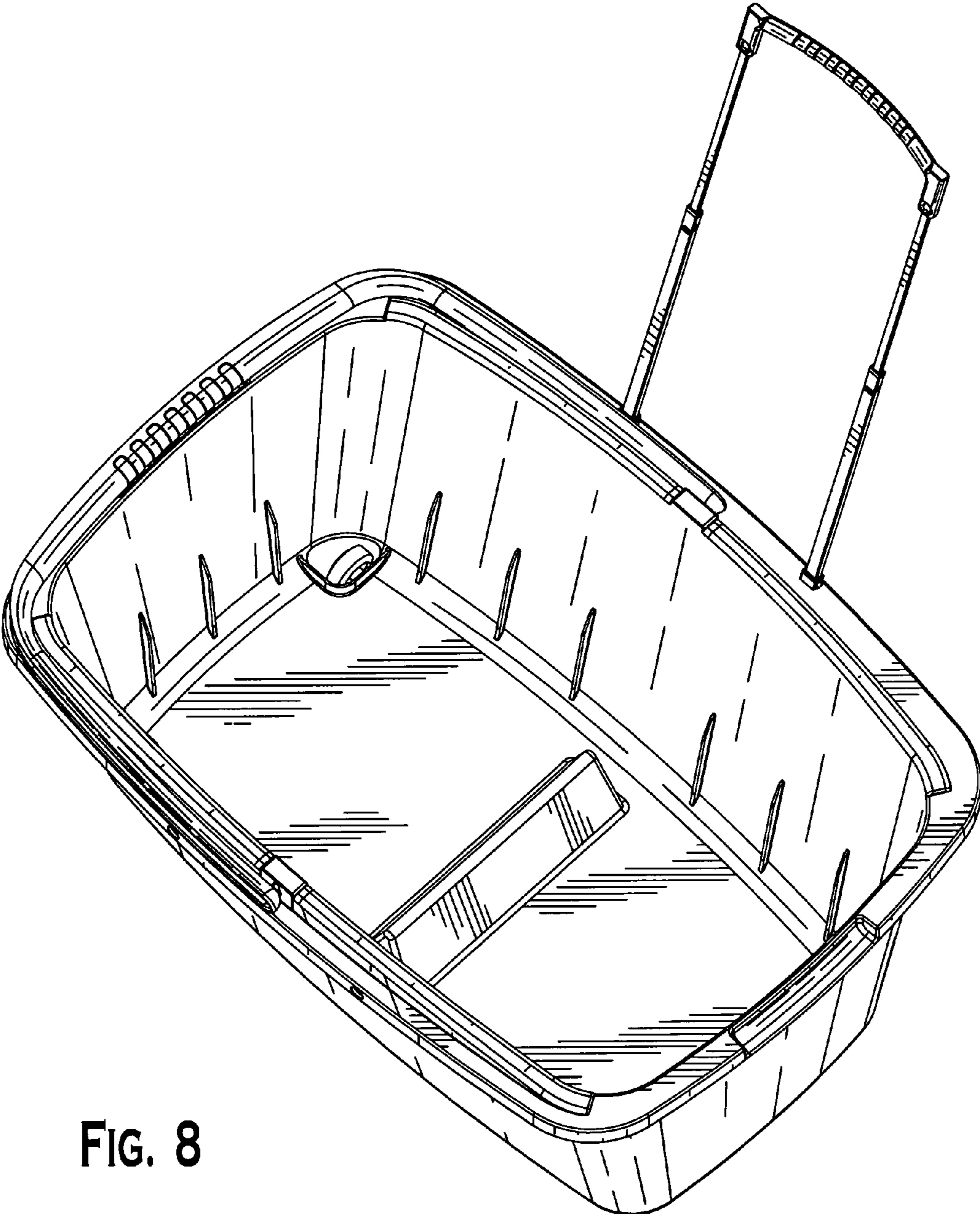


FIG. 8

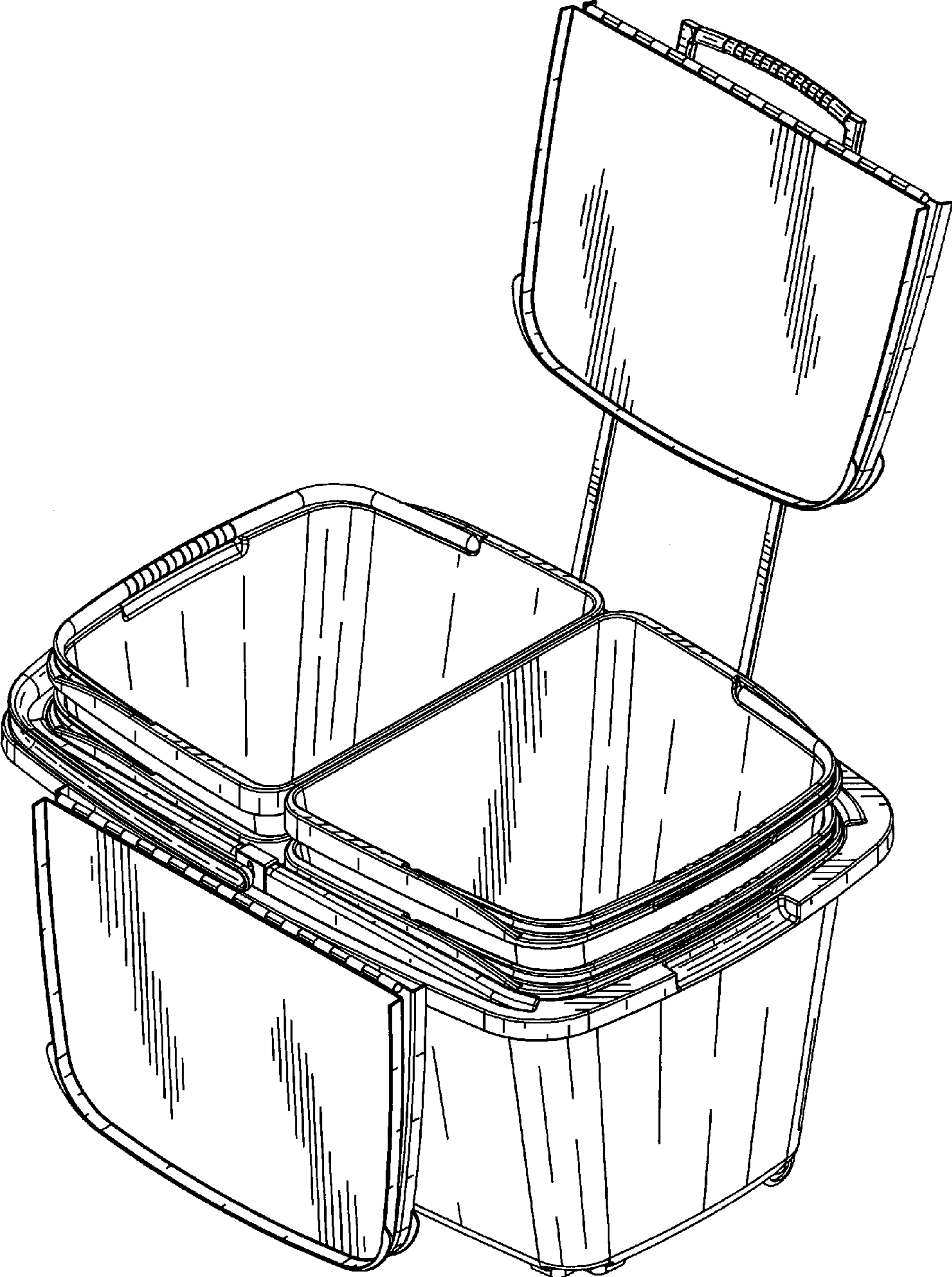


FIG. 9

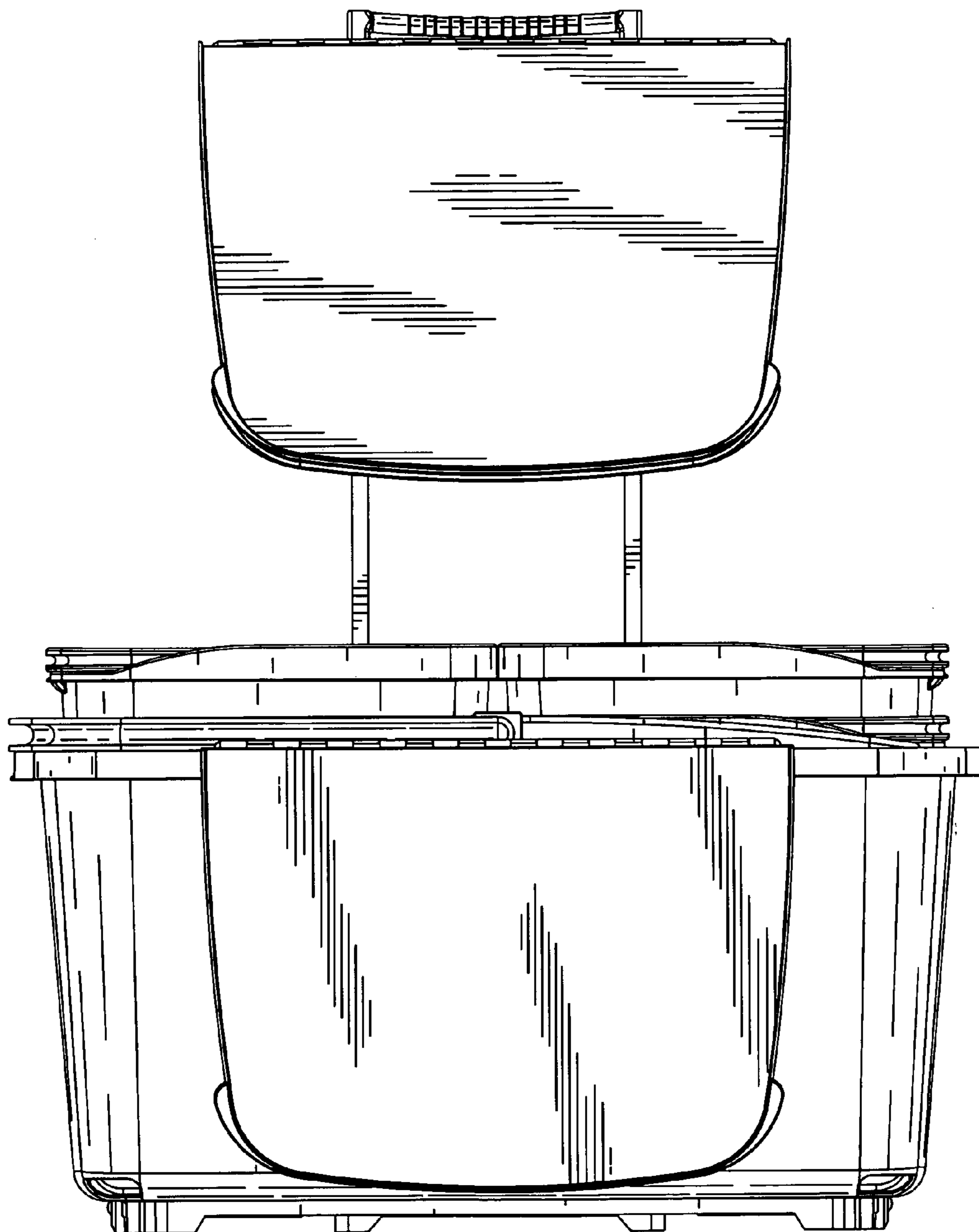


FIG. 10

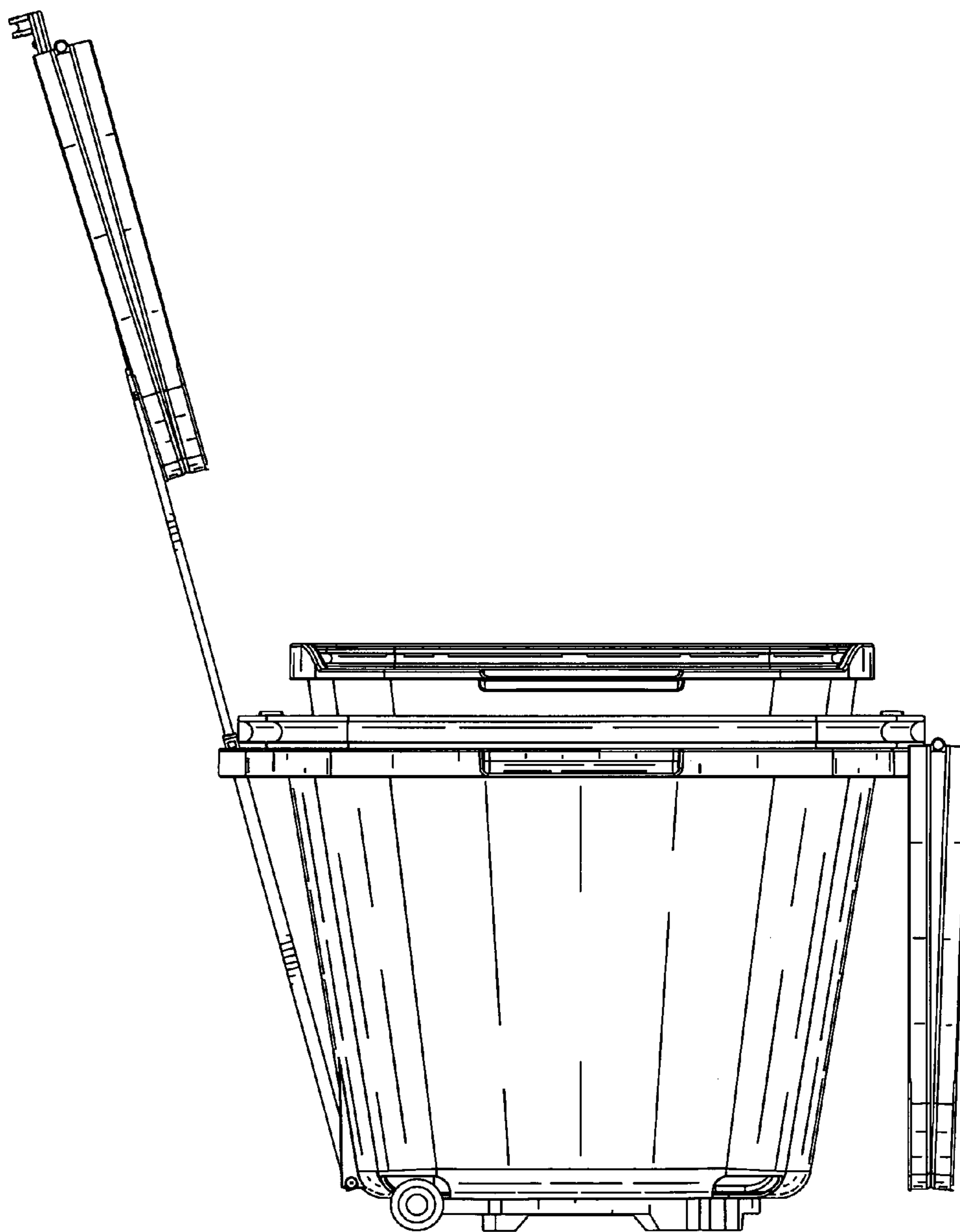


FIG. 11

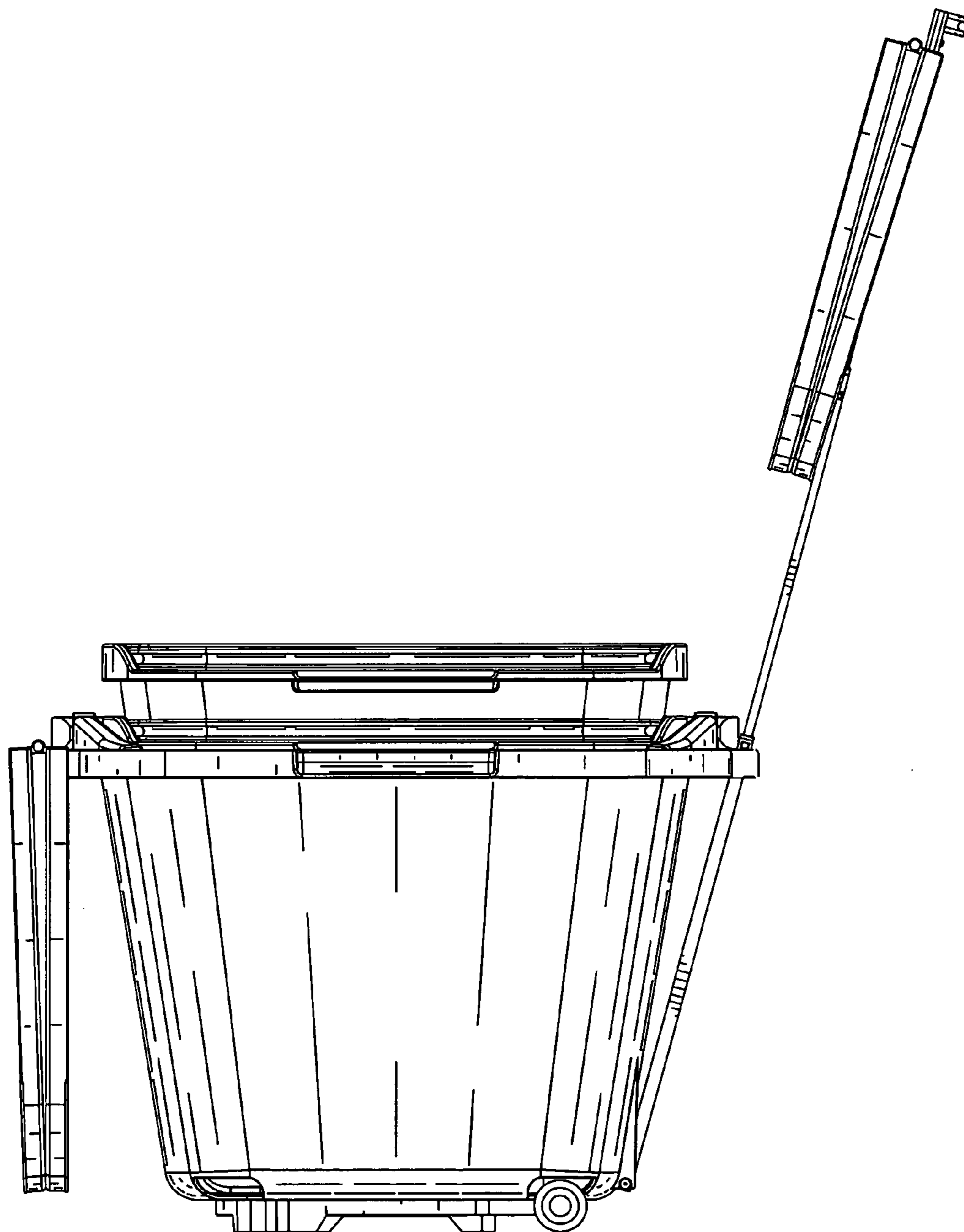


FIG. 12



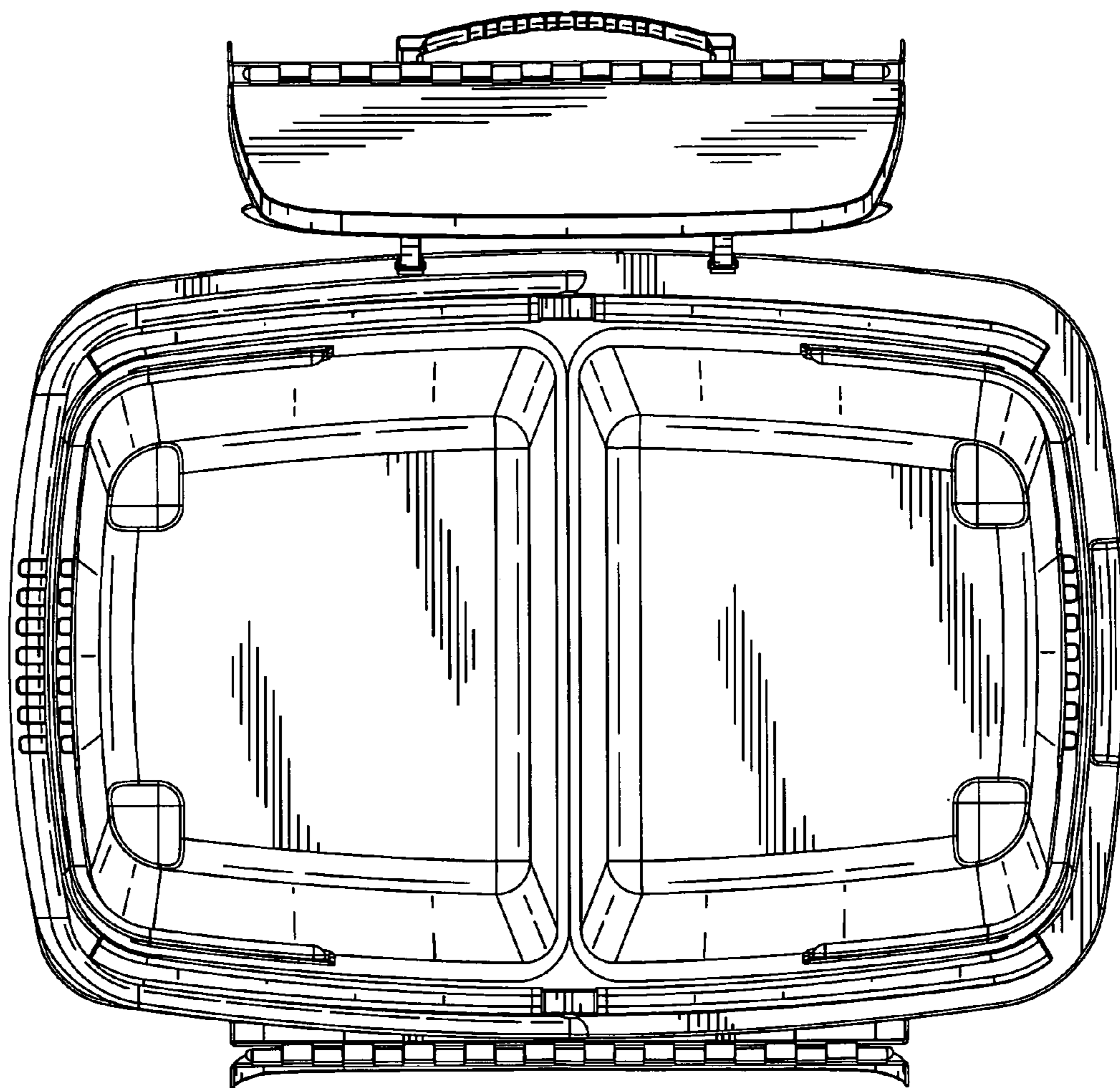


FIG. 13



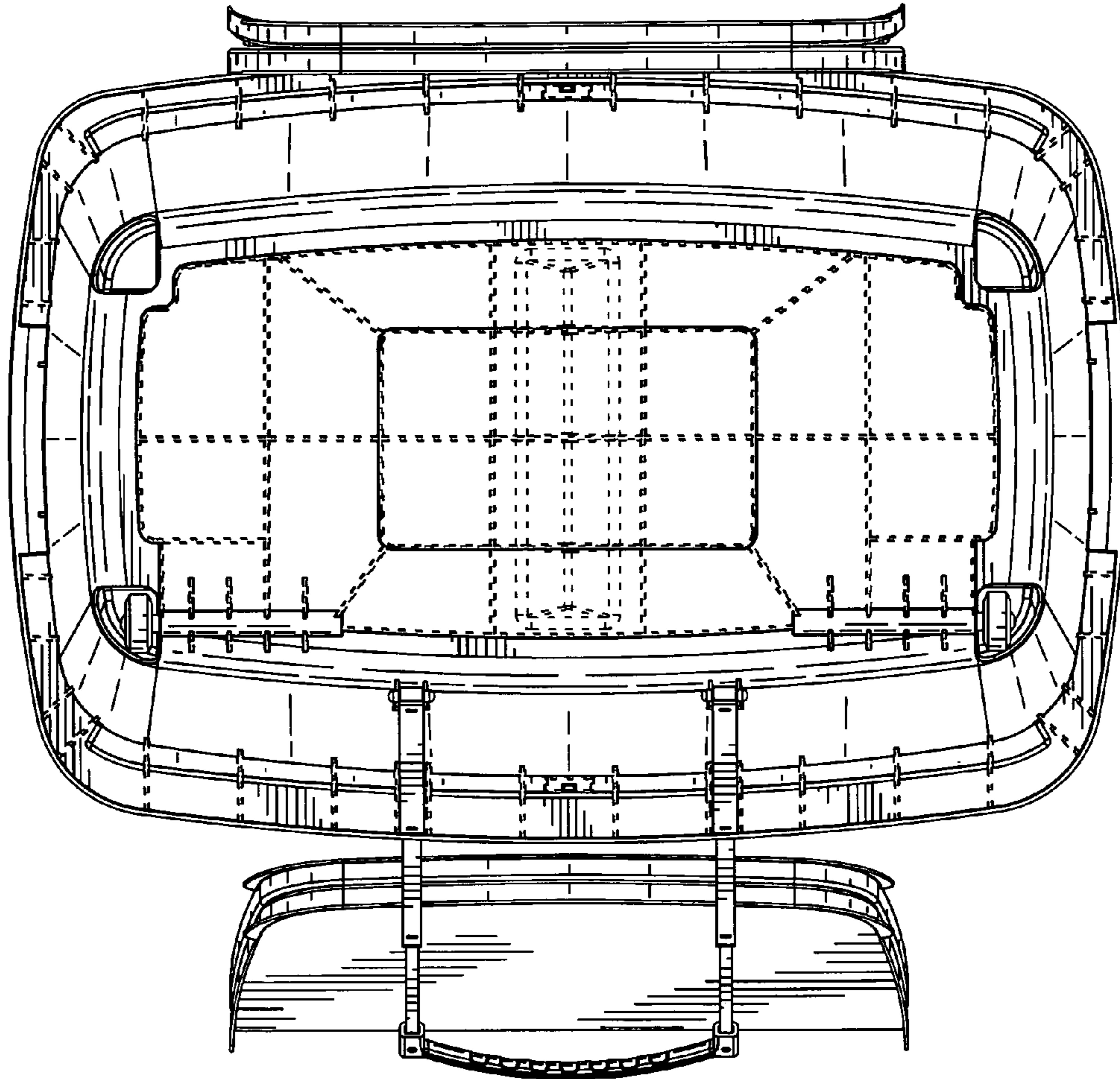


FIG. 14

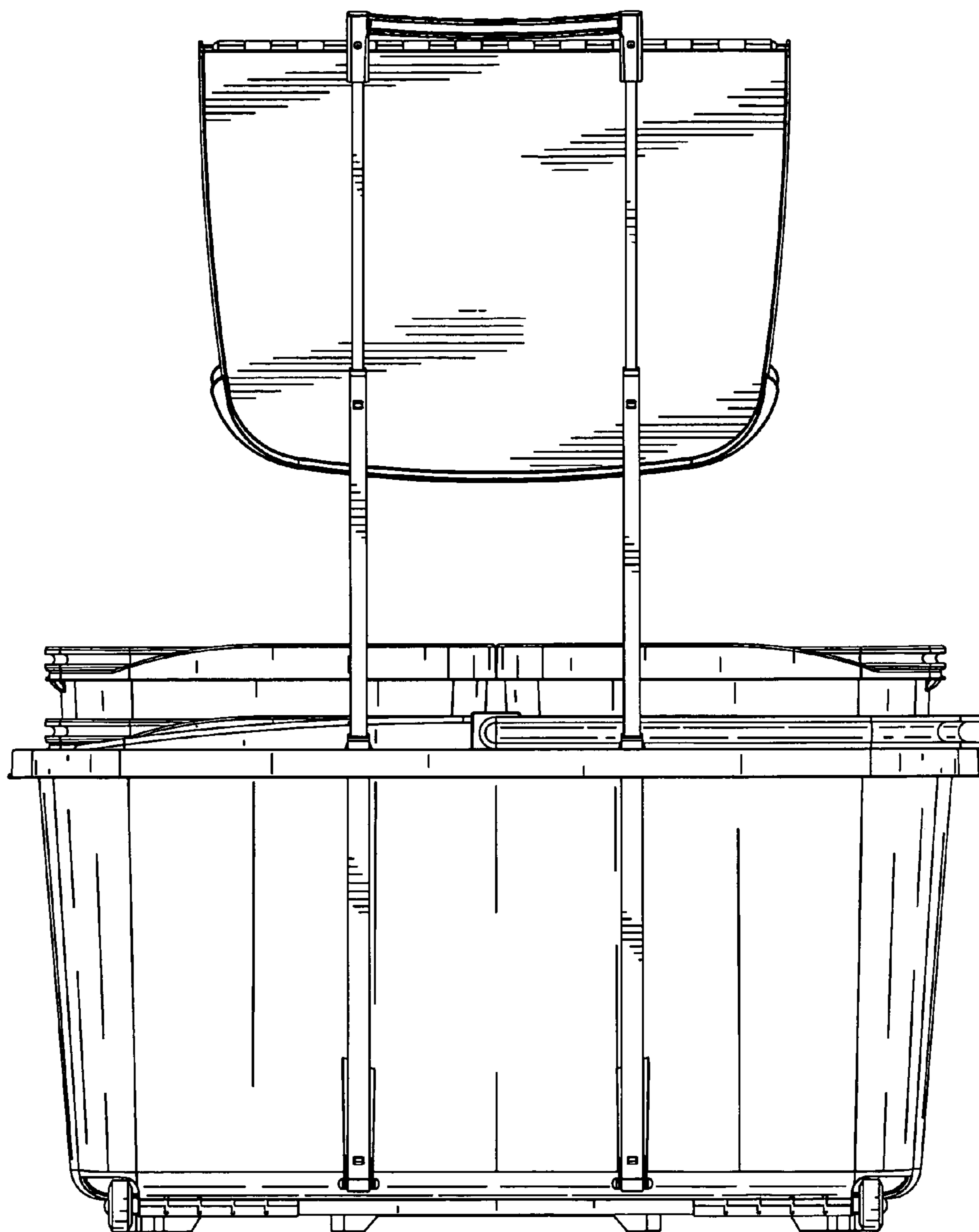


FIG. 15

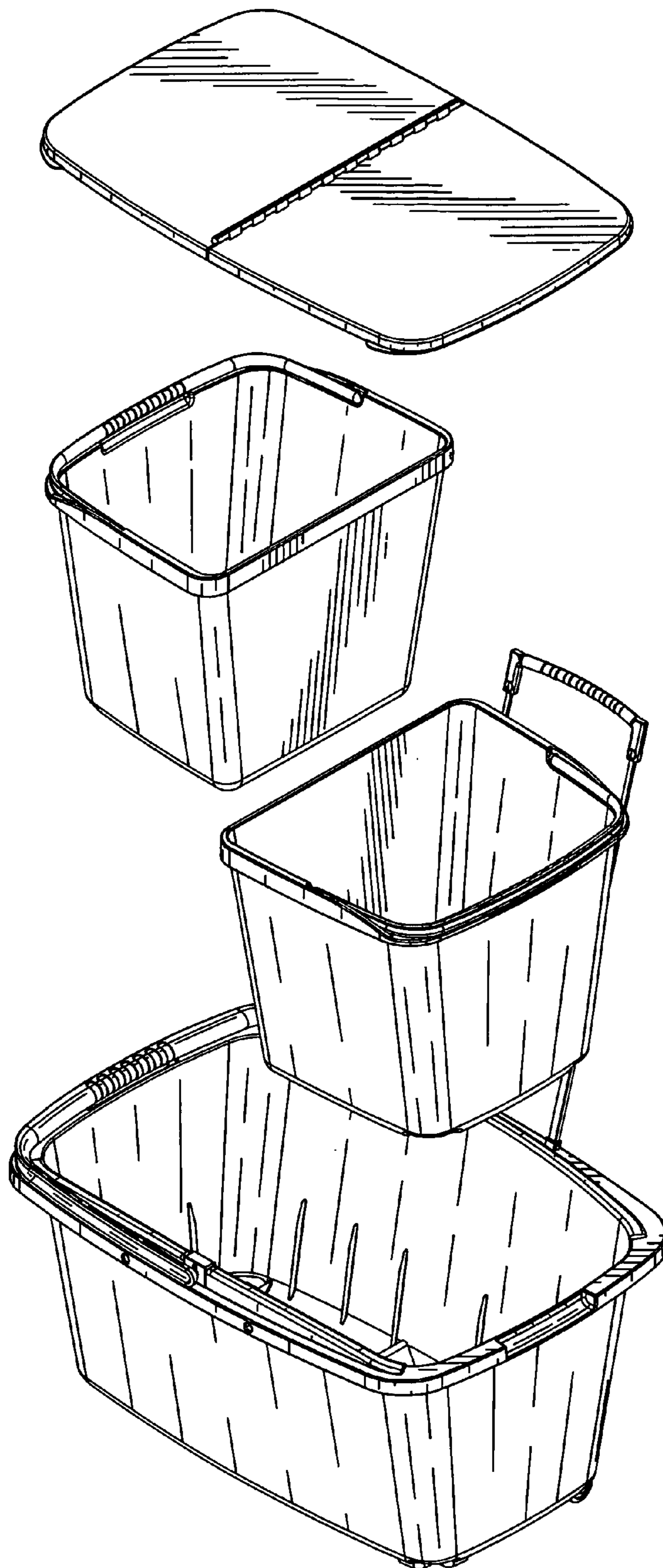


FIG. 16