



US00D602688S

(12) **United States Design Patent**  
**Smith**

(10) **Patent No.:** **US D602,688 S**  
(45) **Date of Patent:** **\*\* Oct. 27, 2009**

(54) **DIAPER BAG**

D444,302 S 7/2001 Jones  
D472,379 S \* 4/2003 Hillman ..... D3/267

(75) Inventor: **Rachael E. Smith**, Highland Park, IL  
(US)

(Continued)

(73) Assignee: **Whoda Thought Ltd.**, Highland Park,  
IL (US)

**OTHER PUBLICATIONS**

Mrs. Smith's Diaper Bag. Snagged Jun. 19, 2009 at <http://www.whodathought.com>.\*

(\*\*) Term: **14 Years**

*Primary Examiner*—Philip S Hyder  
*Assistant Examiner*—Roselynn Cody

(21) Appl. No.: **29/325,775**

(74) *Attorney, Agent, or Firm*—Patzik, Frank & Samotny Ltd.

(22) Filed: **Oct. 6, 2008**

(57) **CLAIM**

(51) **LOC (9) Cl.** ..... **03-01**

The ornamental design for a diaper bag, as shown and described.

(52) **U.S. Cl.** ..... **D3/233; D3/243; D3/284**

(58) **Field of Classification Search** ..... D3/233,  
D3/243, 268, 276, 283–284, 286–287, 290,  
D3/297; D7/607; 150/107, 112–113, 117–118;  
206/557, 561

**DESCRIPTION**

See application file for complete search history.

FIG. 1 is a front elevation view;  
FIG. 2 is a rear elevation view;  
FIG. 3 is a left side elevation view;  
FIG. 4 is a right elevation view;  
FIG. 5 is a top plan view;  
FIG. 6 is a bottom plan view;  
FIG. 7 is a perspective view showing the cover in the open position;  
FIG. 8 is a rear elevation view showing the cover in the open position;  
FIG. 9 is a perspective view showing the front flap in the open position;  
FIG. 10 is a right elevation view showing cover and front flap in open positions; and,  
FIG. 11 is a top plan view showing the cover in the open position.

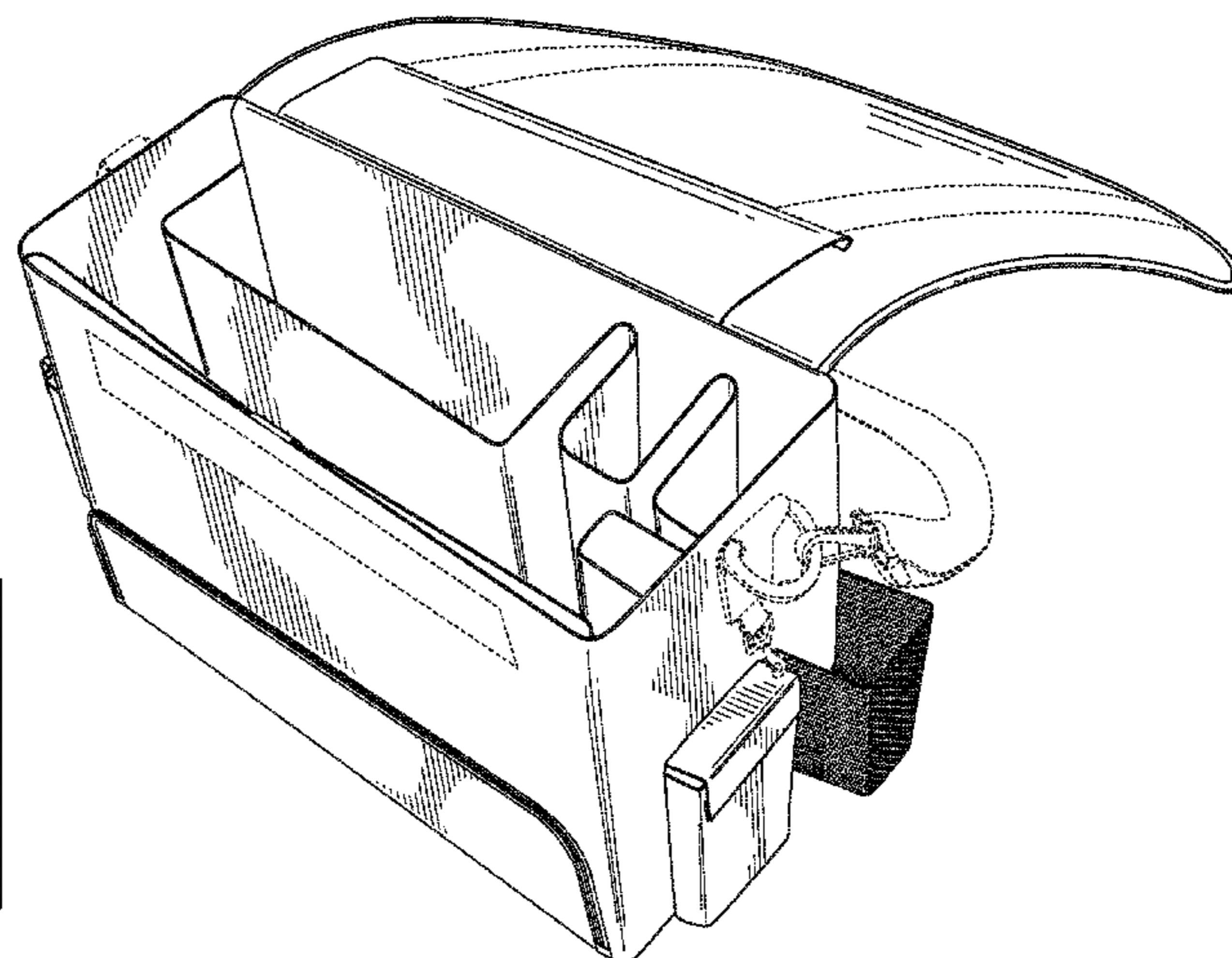
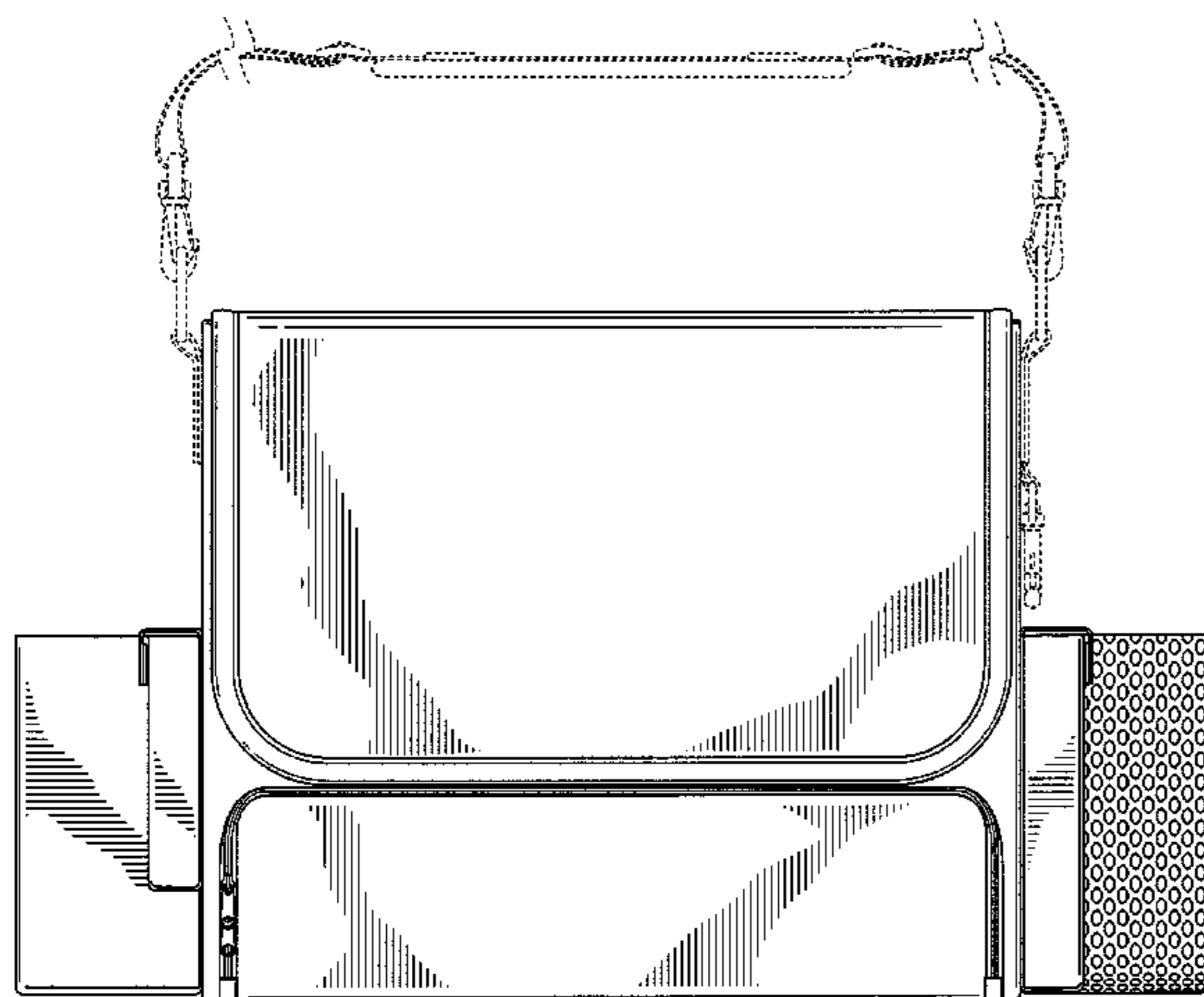
(56) **References Cited**

**U.S. PATENT DOCUMENTS**

2,463,993	A	3/1949	Meyers	
2,555,778	A	6/1951	Blume	
2,801,666	A	8/1957	Steele	
3,335,775	A	8/1967	Adams	
3,533,459	A *	10/1970	Ody	150/113
4,260,004	A *	4/1981	Domke	206/316.2
D280,465	S *	9/1985	Baum	D3/268
4,685,559	A	8/1987	Titus	
D293,508	S *	1/1988	Marconi	D3/243
D312,530	S *	12/1990	Gallen et al.	D3/268
D326,188	S *	5/1992	Thomas	D3/243
5,209,279	A	5/1993	Wilson	
D346,693	S *	5/1994	Saltzman et al.	D3/283
5,402,869	A *	4/1995	Saltzman et al.	190/108
D405,265	S *	2/1999	Chapelson	D3/303
5,873,504	A	2/1999	Farmer	
D416,677	S	11/1999	Christman	
D419,763	S *	2/2000	Wiebe	D3/233
D423,779	S *	5/2000	Goatcher	D3/283

The portions of the drawings shown in broken lines illustrate environment and form no part of the design sought to be patented.

**1 Claim, 11 Drawing Sheets**



# US D602,688 S

Page 2

---

U.S. PATENT DOCUMENTS										
D476,480	S	*	7/2003	Hillman	.....	D3/263				
D500,594	S	*	1/2005	Zapata	.....	D3/268				
6,994,132	B2		2/2006	Antrobus						
D523,632	S		6/2006	Handley						
D542,031	S	*	5/2007	Zapata	.....	D3/267				
							* cited by examiner			
				D542,527	S	*	5/2007	Zapata	.....	D3/267
				D553,619	S		10/2007	Mak et al.		
				D559,541	S		1/2008	Clark		
				2003/0024960	A1	*	2/2003	Greenstein et al.	.....	224/153
				2008/0223493	A1	*	9/2008	Borrelli et al.	.....	150/113
				2008/0302623	A1	*	12/2008	Gupton, Jr.	.....	190/110

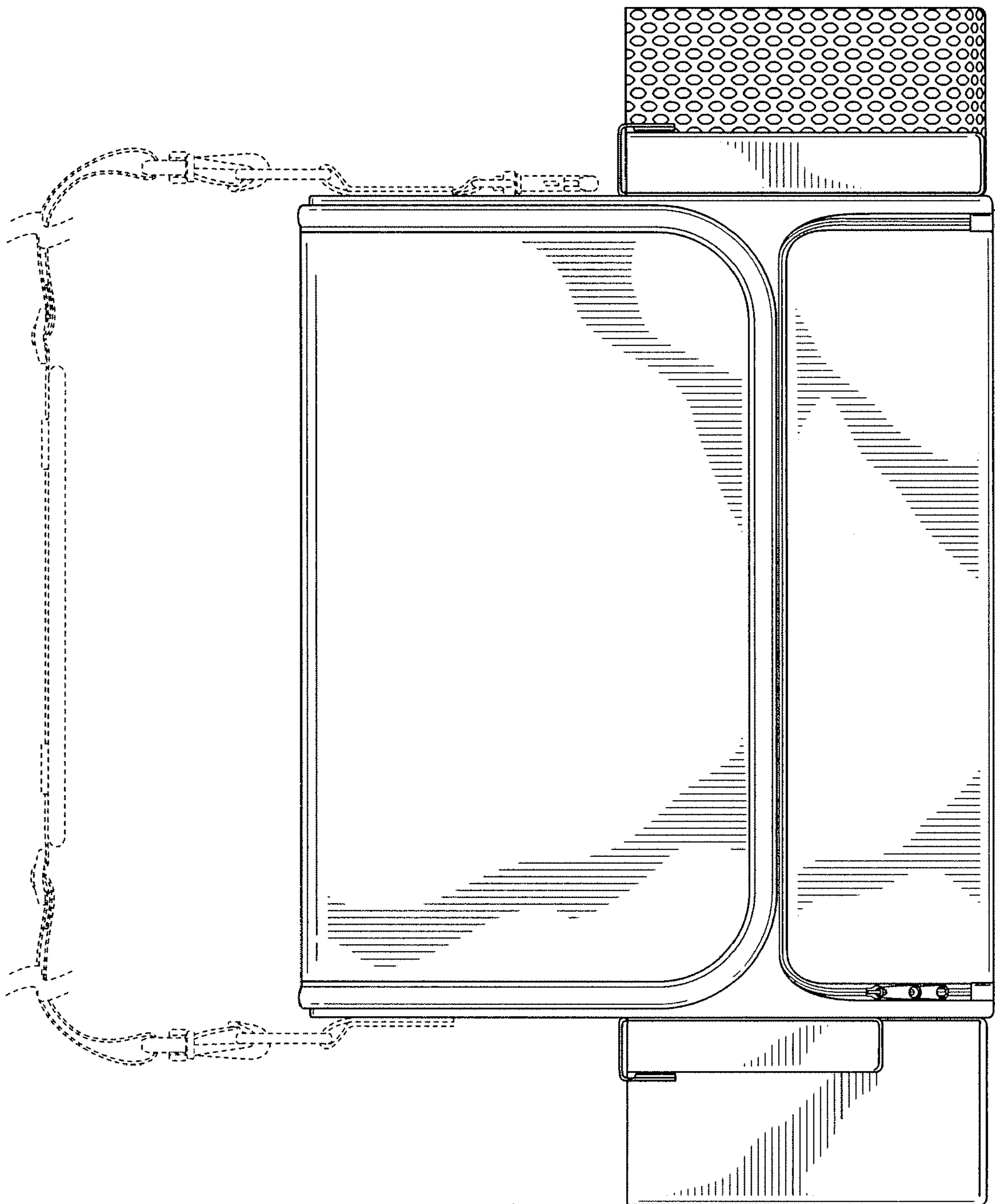


FIG. 1

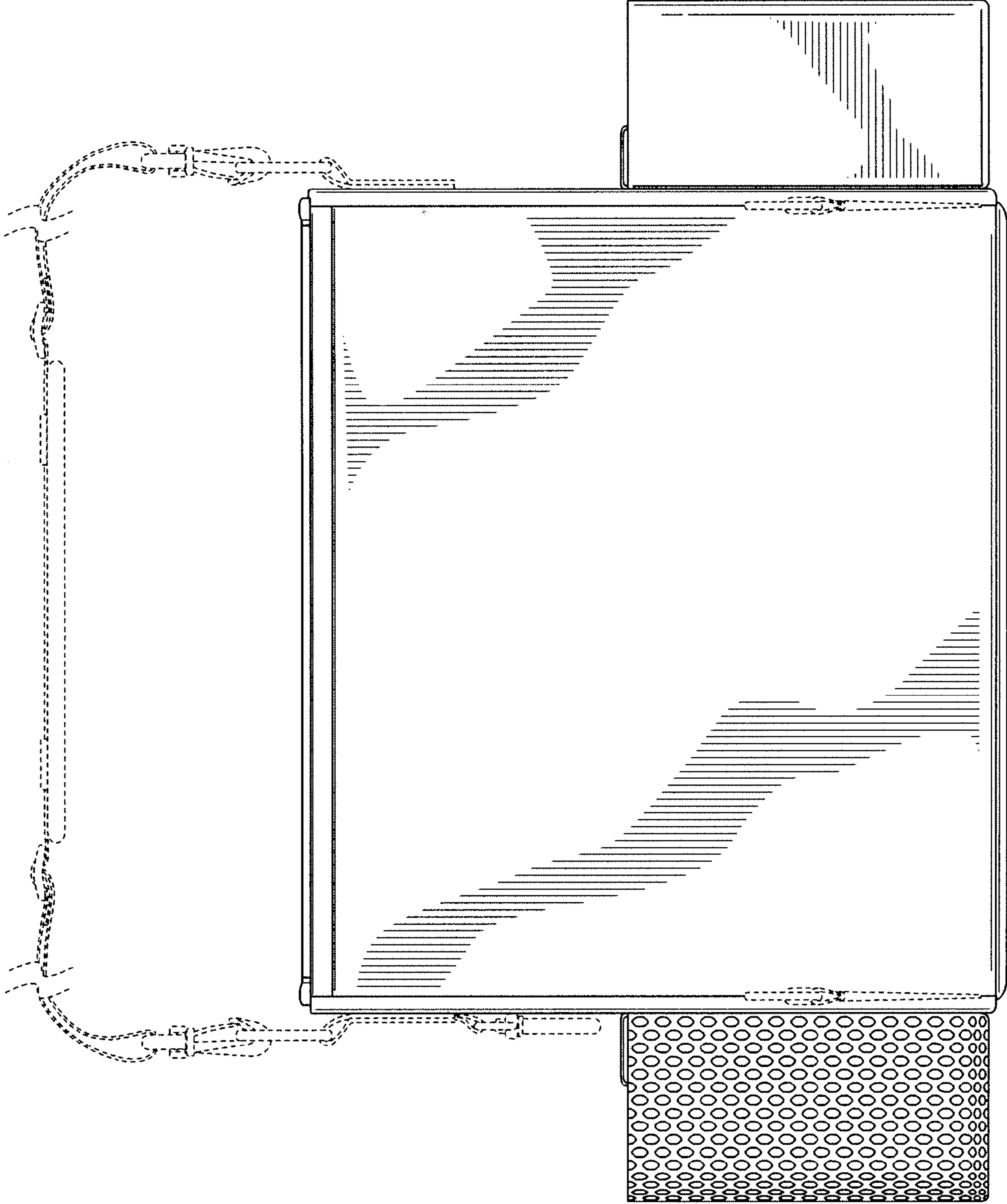


FIG. 2

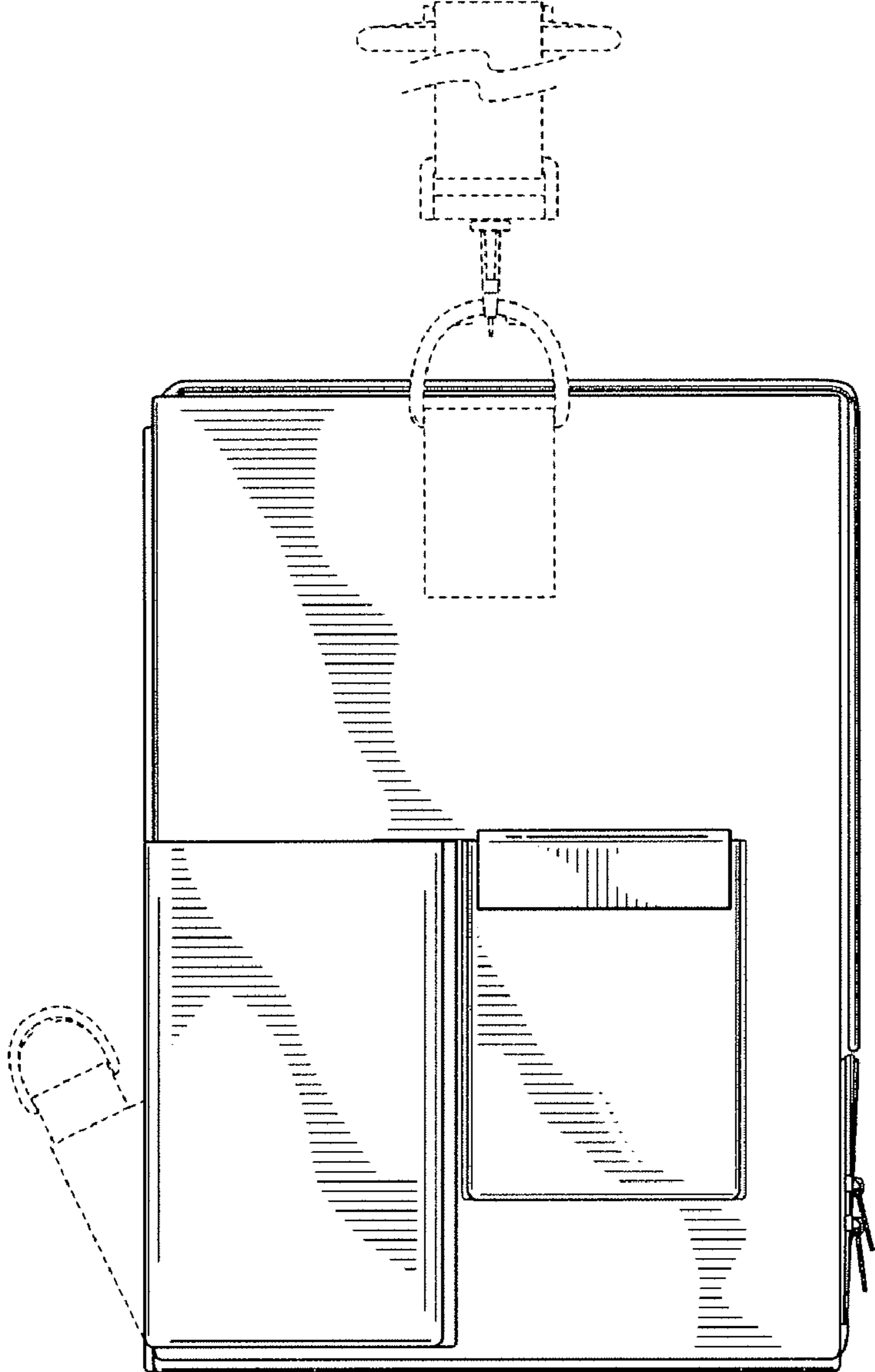


FIG. 3

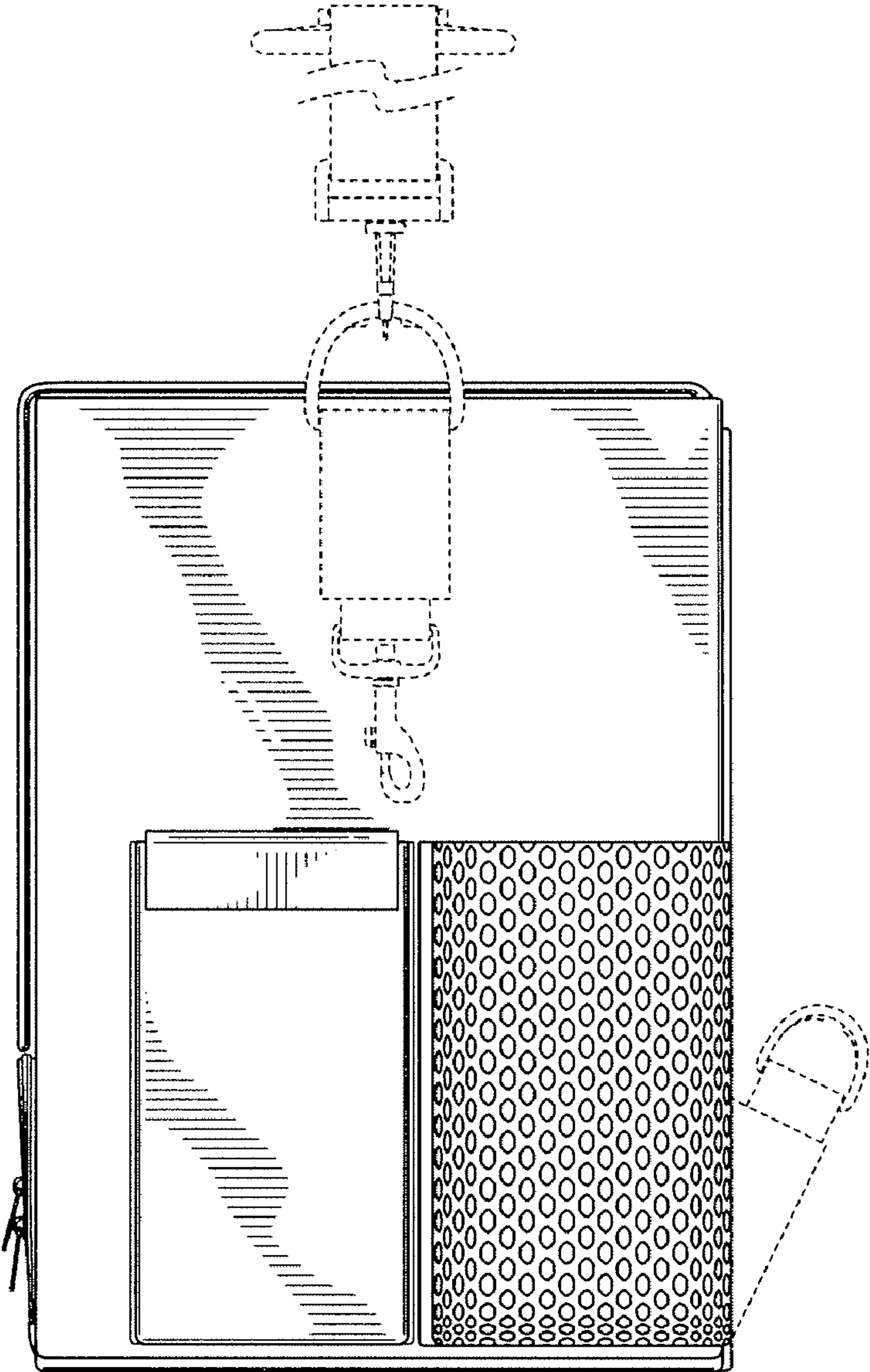


FIG. 4

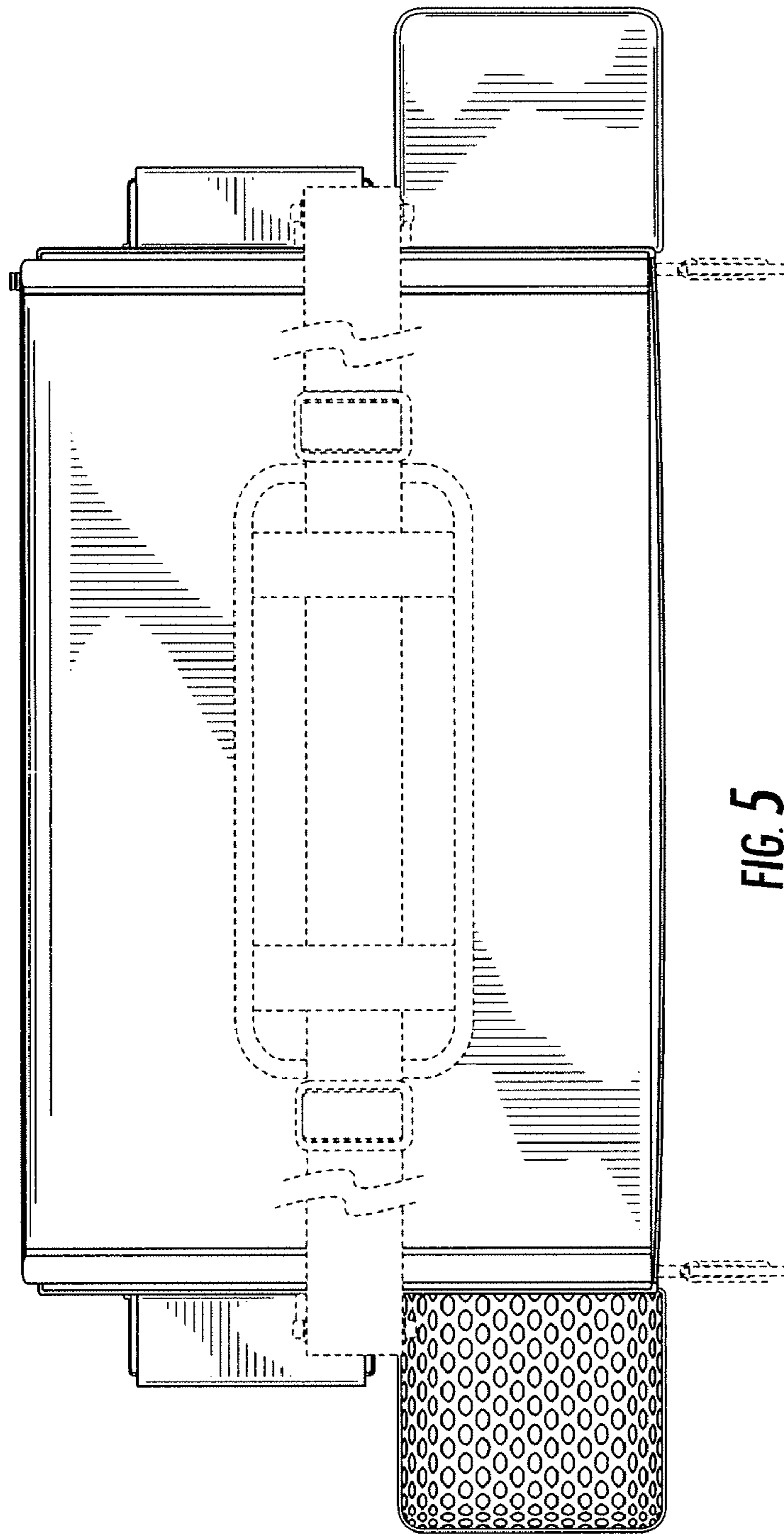


FIG. 5

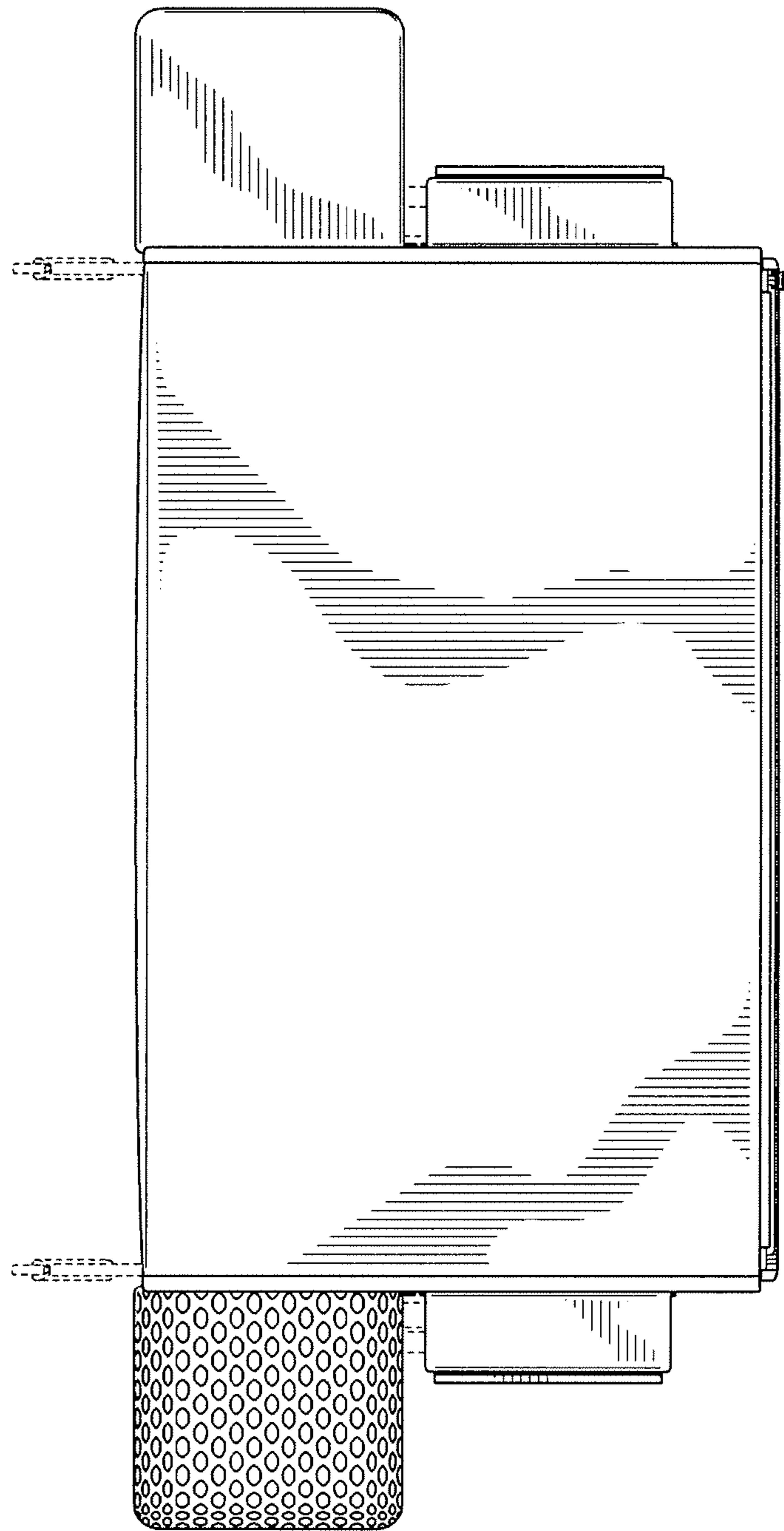


FIG. 6



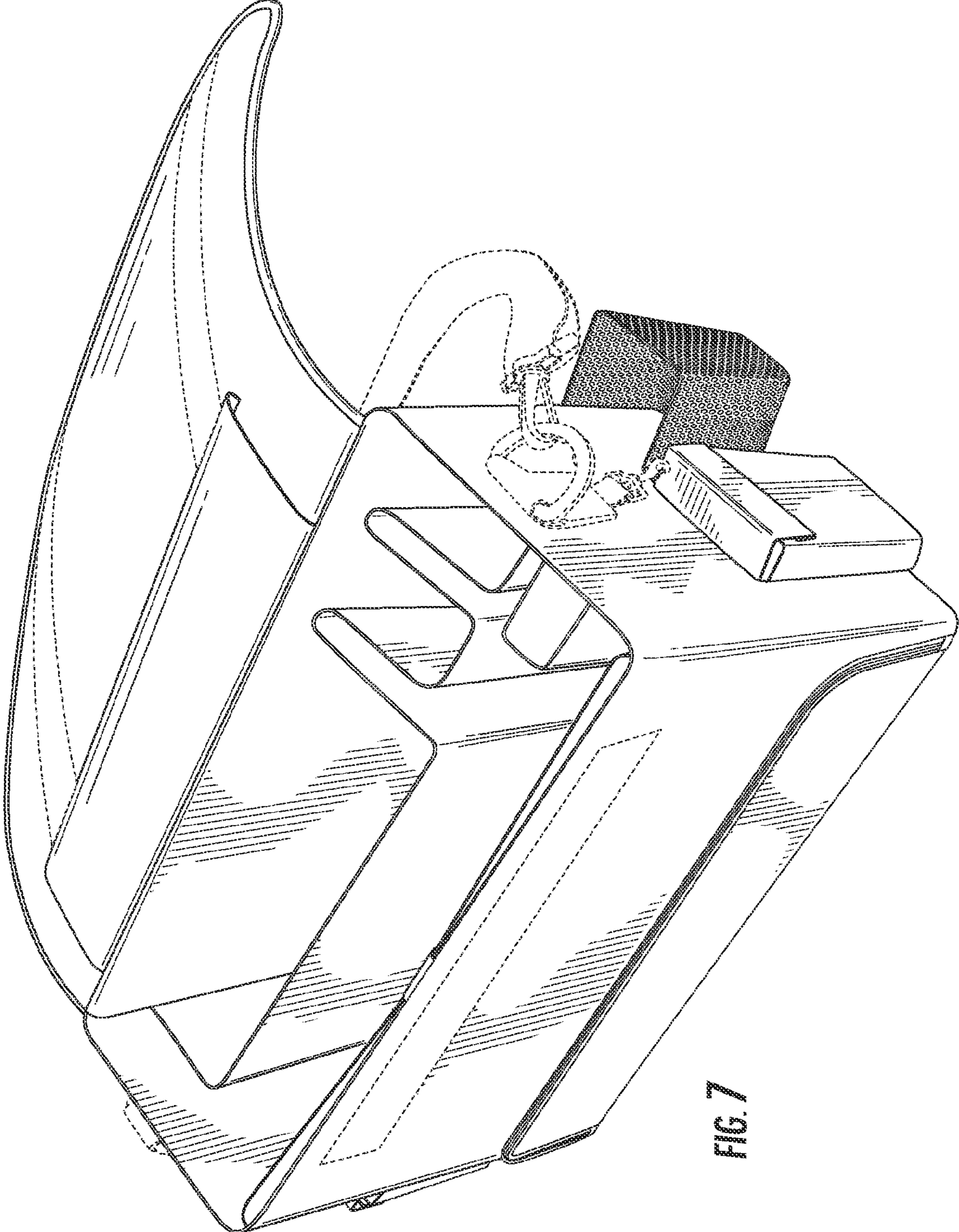


FIG. 7

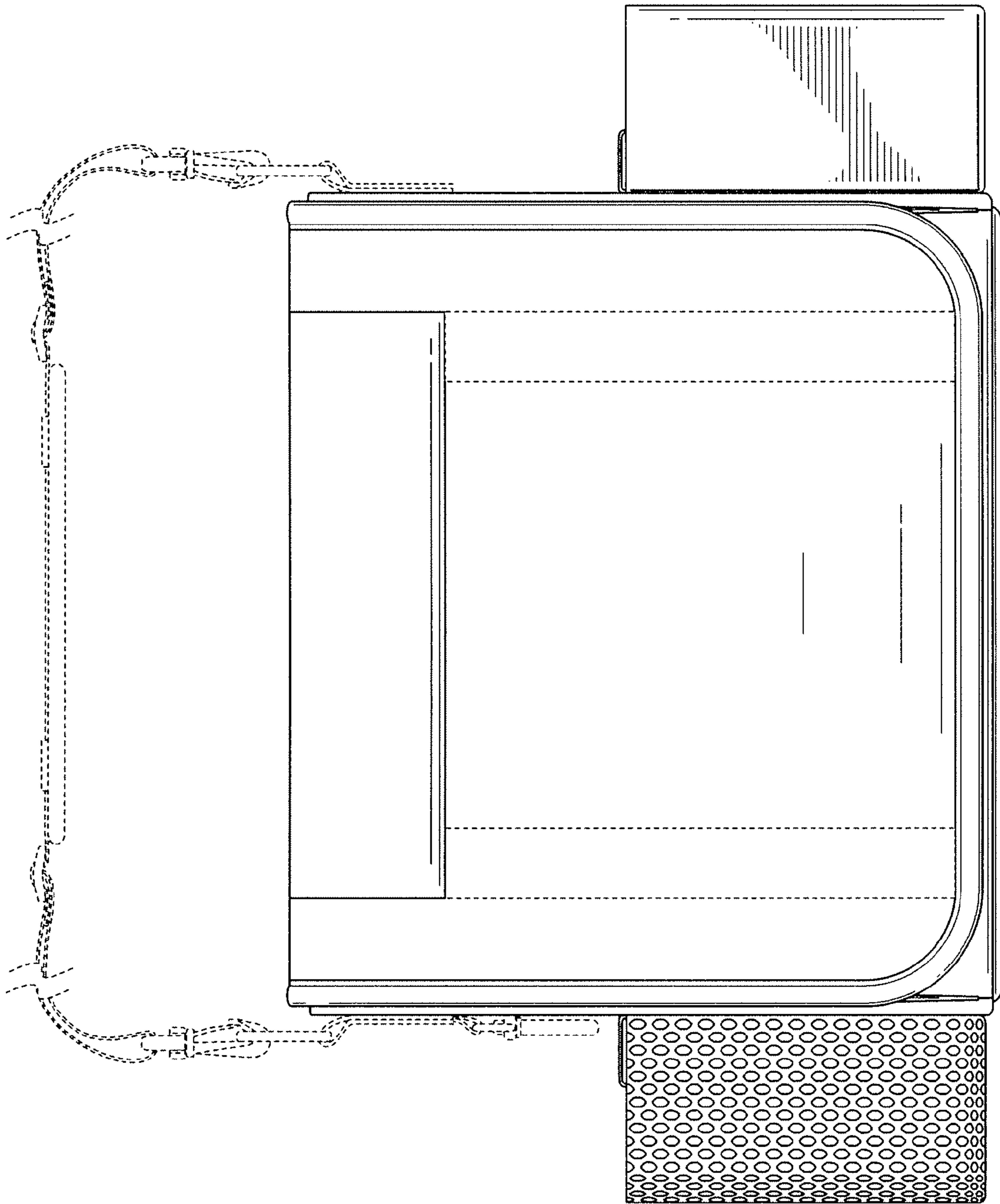


FIG. 8

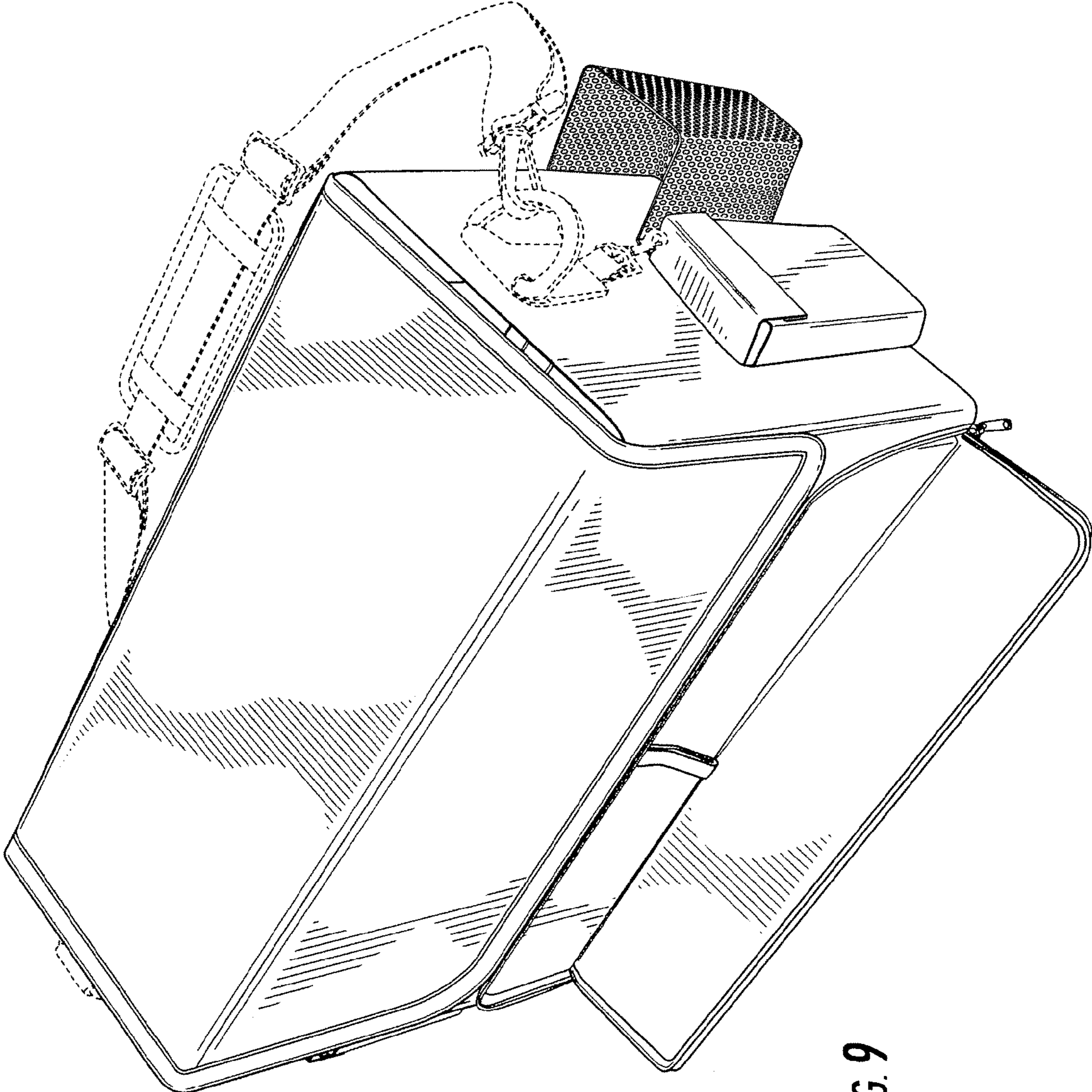


FIG. 9

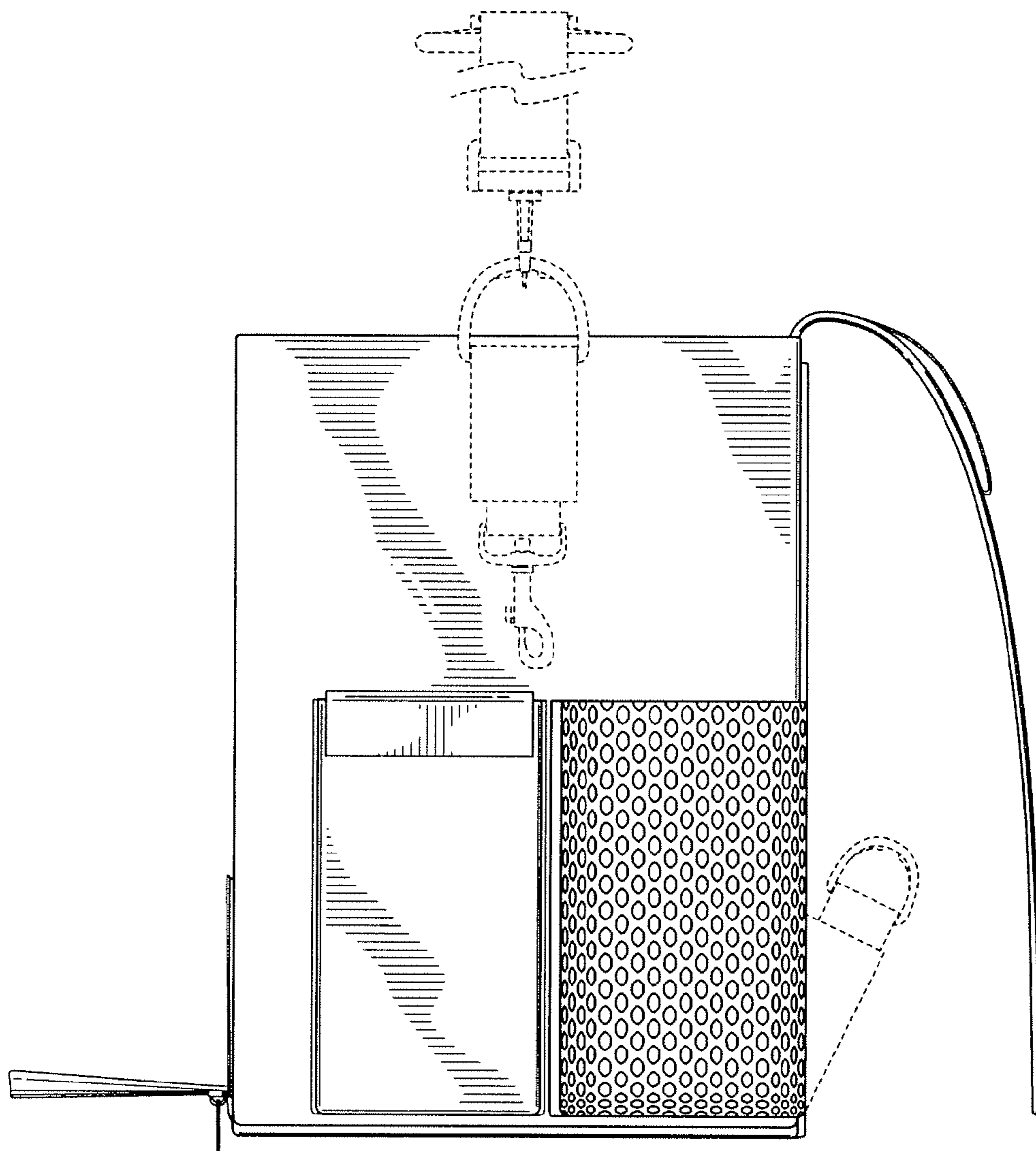


FIG. 10

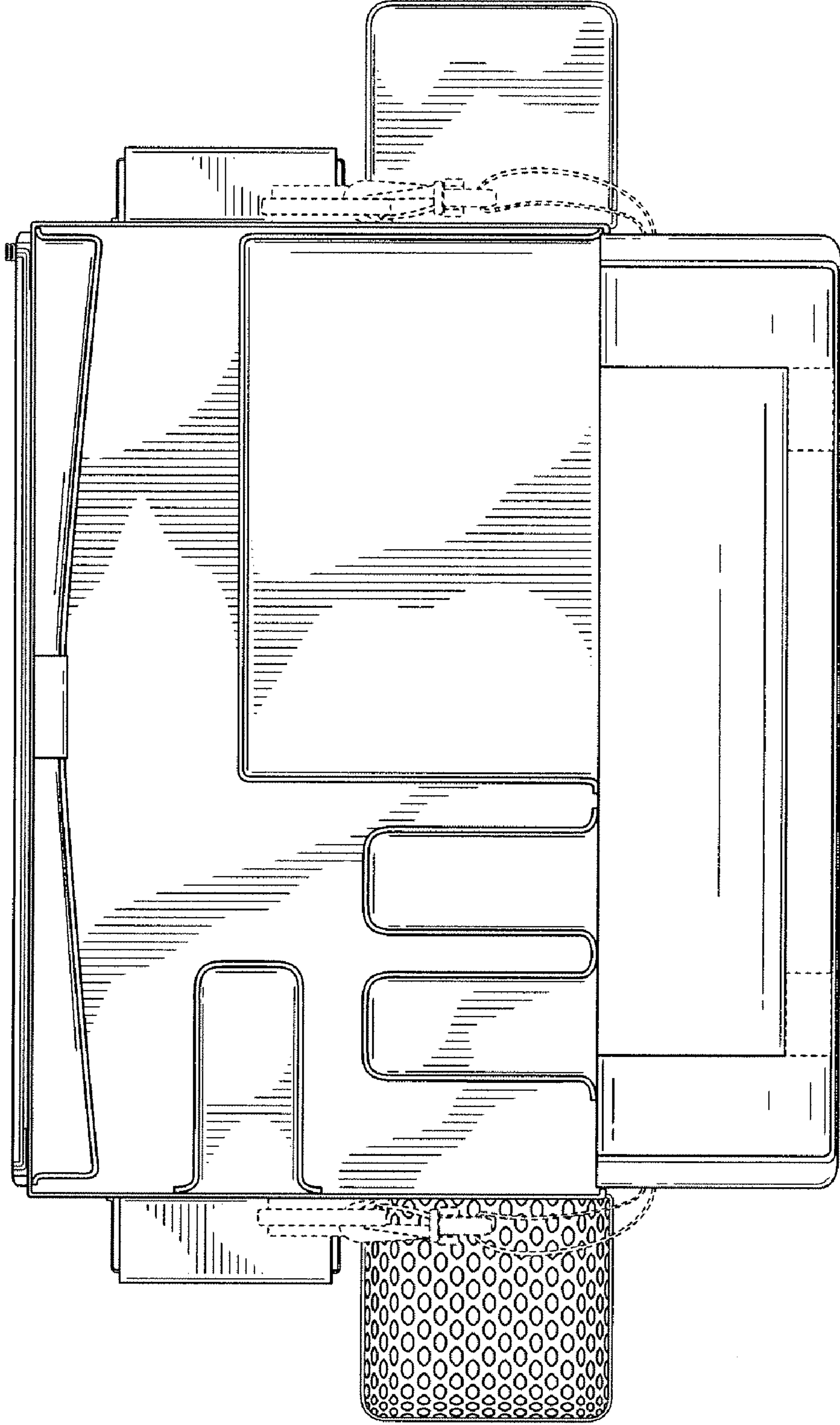


FIG. 11