



US00D602686S

(12) **United States Design Patent**  
**Patzak**

(10) **Patent No.:** **US D602,686 S**

(45) **Date of Patent:** **\*\* Oct. 27, 2009**

(54) **OPERATING AND CONNECTION UNIT FOR  
A STANDING UMBRELLA**

(75) Inventor: **Peter K. Patzak**, Dortmund (DE)

(73) Assignee: **Glatz AG** (CH)

(\*\*) Term: **14 Years**

(21) Appl. No.: **29/313,313**

(22) Filed: **Dec. 23, 2008**

(30) **Foreign Application Priority Data**

Jul. 1, 2008 (EM) ..... 000960356-0001

(51) **LOC (9) Cl.** ..... **03-03**

(52) **U.S. Cl.** ..... **D3/10**

(58) **Field of Classification Search** ..... D3/5-17;  
D21/836-839; 135/15.1, 16, 17, 19, 20.1,  
135/25.1, 25.2, 25.4, 25.33, 26, 29-31, 33.4,  
135/33.41, 20.3; D8/325

See application file for complete search history.

(56) **References Cited**

**U.S. PATENT DOCUMENTS**

D285,862	S	*	9/1986	Levy	.....	D3/10
D411,655	S	*	6/1999	Tung	.....	D3/10
D434,215	S	*	11/2000	Lin	.....	D3/6
6,435,444	B1	*	8/2002	Lin	.....	135/20.3
6,478,037	B2	*	11/2002	Tung	.....	135/21
6,631,728	B2	*	10/2003	Liu	.....	135/20.3
D518,629	S	*	4/2006	Ma	.....	D3/5
7,487,787	B2	*	2/2009	Tung	.....	135/20.3
2008/0223422	A1	*	9/2008	Lai	.....	135/21

\* cited by examiner

*Primary Examiner*—T. Chase Nelson  
*Assistant Examiner*—Anhdao Doan  
(74) *Attorney, Agent, or Firm*—George Pappas

(57) **CLAIM**

I claim the ornamental design for an operating and connection unit for a standing umbrella, as shown and described.

**DESCRIPTION**

FIG. 1 is a side elevation view of an operating and connection unit for a standing umbrella showing my new design in the condition of use

FIG. 2 is a front elevation view of the operating and connection unit shown in FIG. 1.

FIG. 3 is a rear elevation view of the operating and connection unit shown in FIG. 1.

FIG. 4 is a right side elevation view of the operating and connection unit shown in FIG. 1.

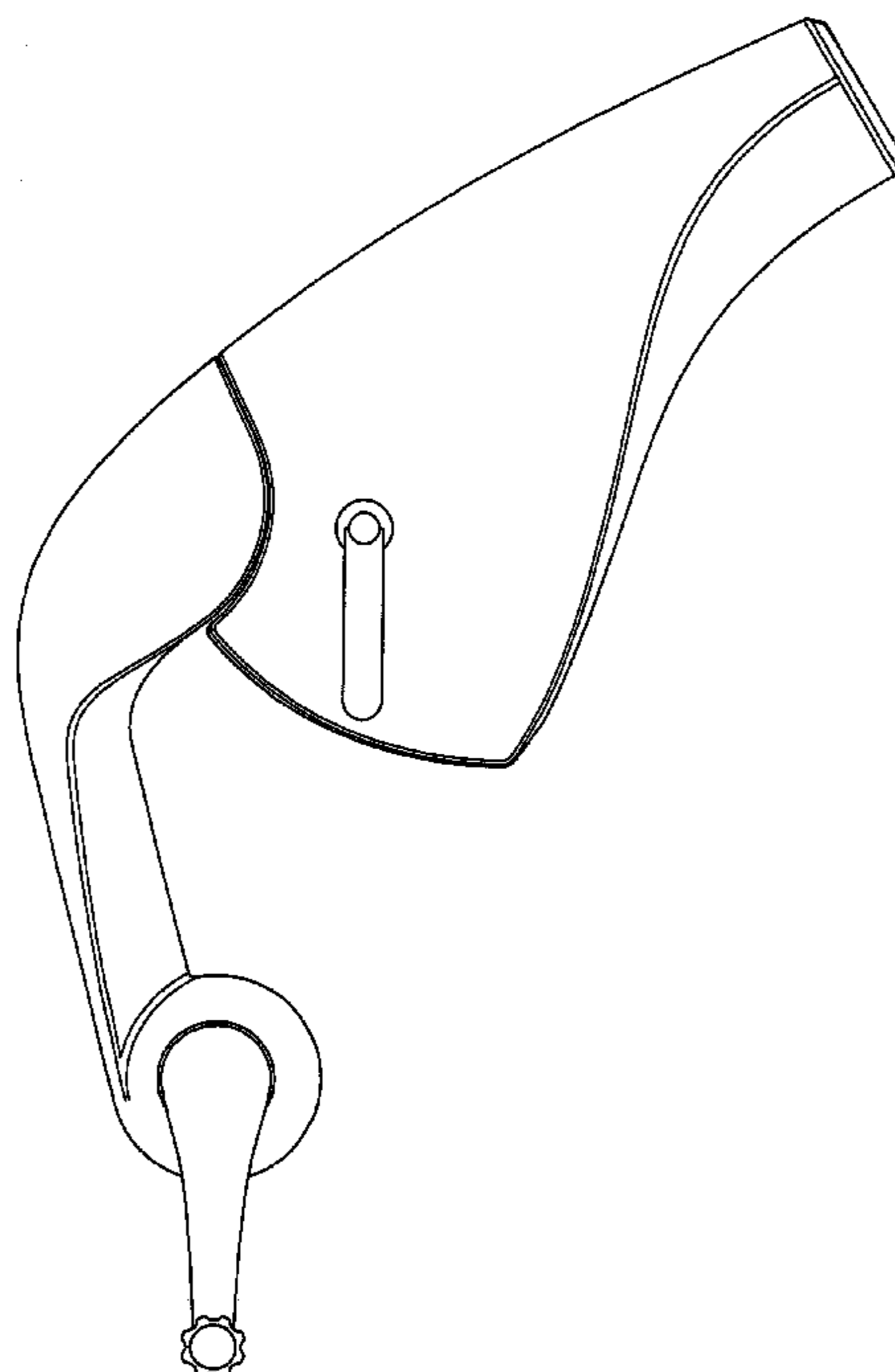
FIG. 5 is a left side elevation view of the operating and connection unit shown in FIG. 1.

FIG. 6 is a top plan view of the operating and connection unit shown in FIG. 1; and,

FIG. 7 is a bottom plan view of the operating and connection unit shown in FIG. 1.

The broken lines in FIG. 1 represent the environmental subject matter. The broken lines in FIG. 5 are included for the purpose of illustrating the portions of the operating and connection unit that form no part of the claimed design. None of the broken lines form a part of the claimed design.

**1 Claim, 7 Drawing Sheets**



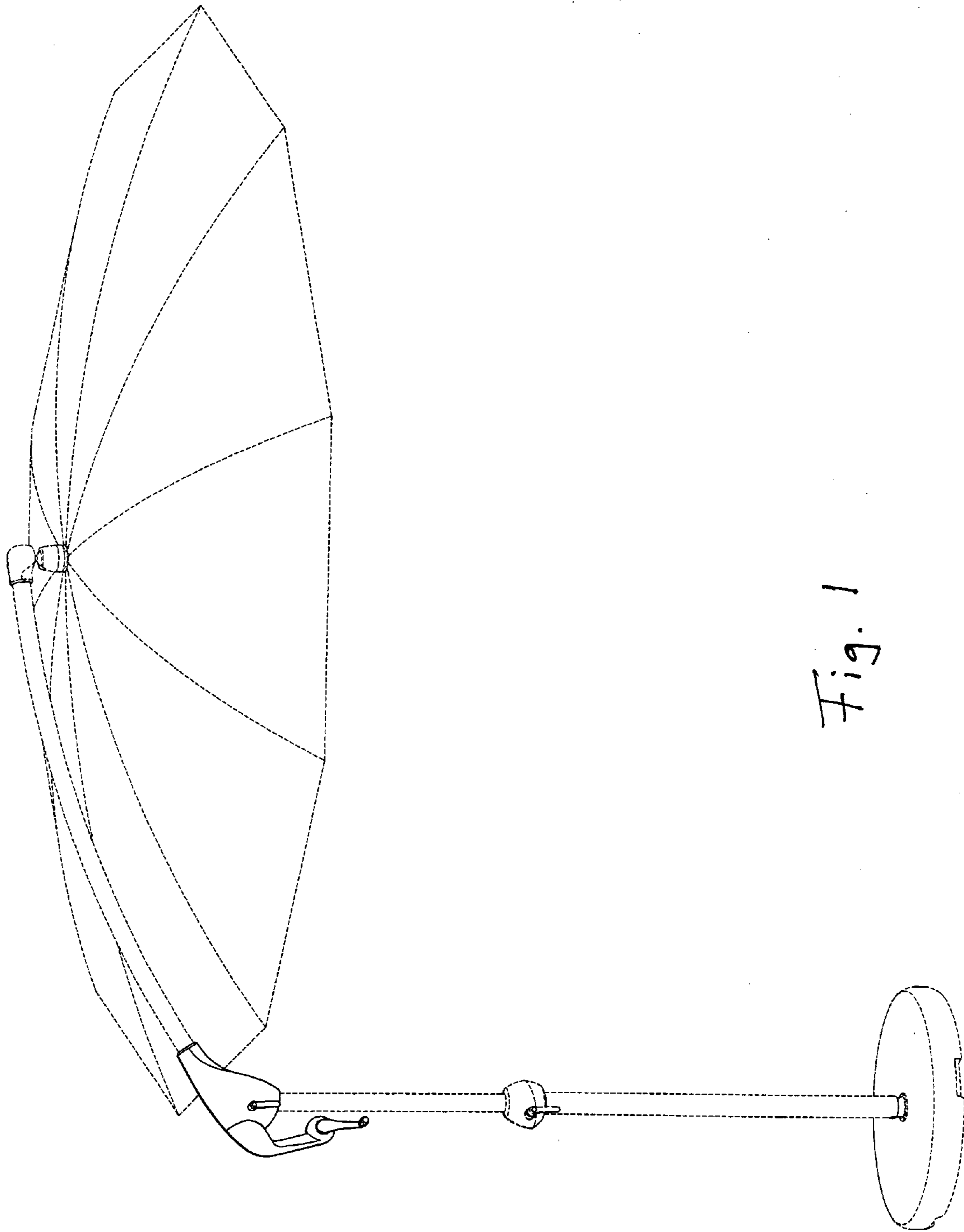


Fig. 1

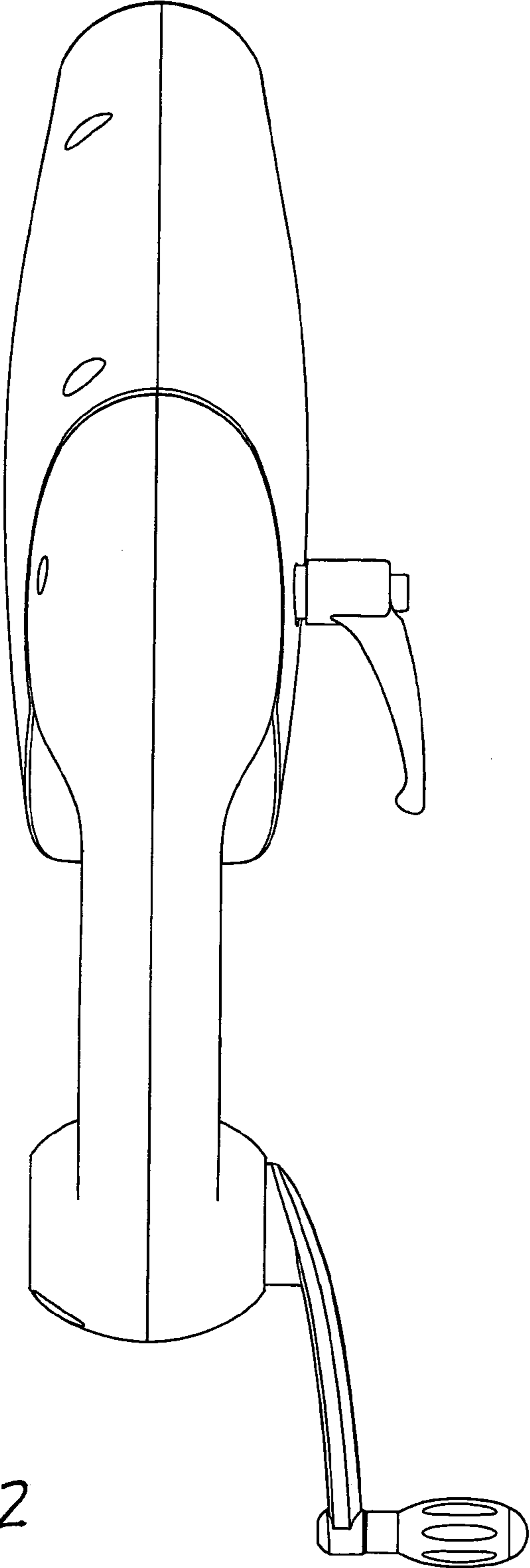


Fig. 2

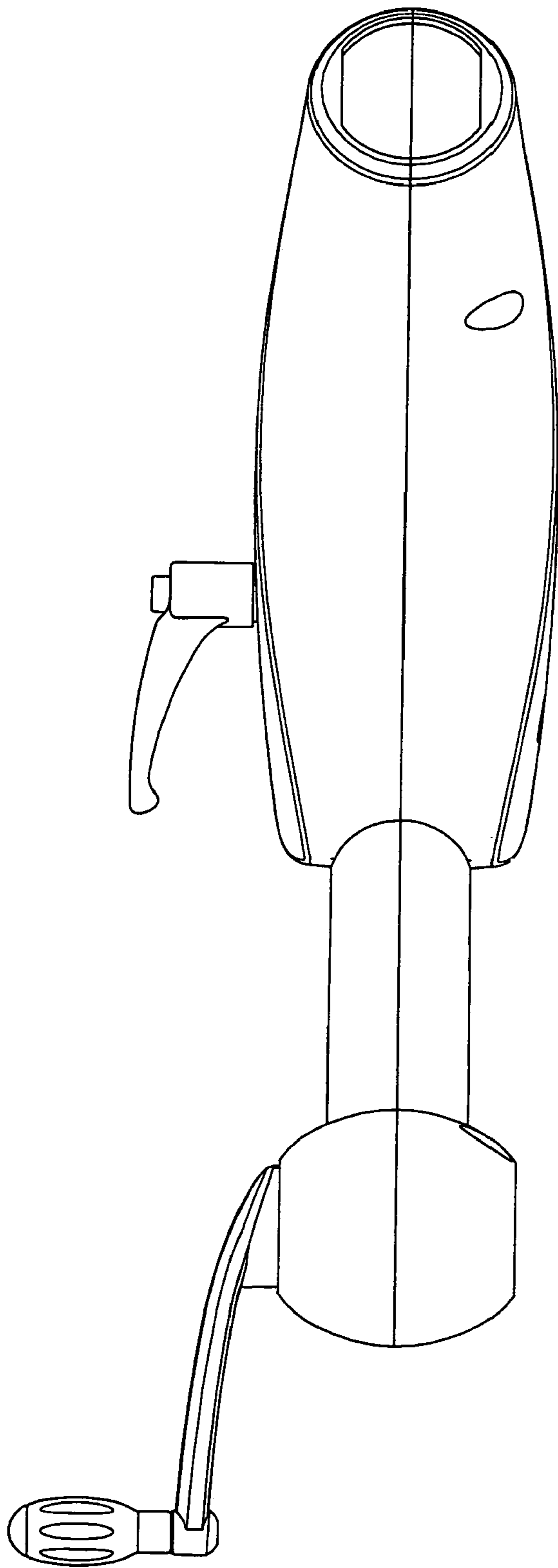


Fig. 3

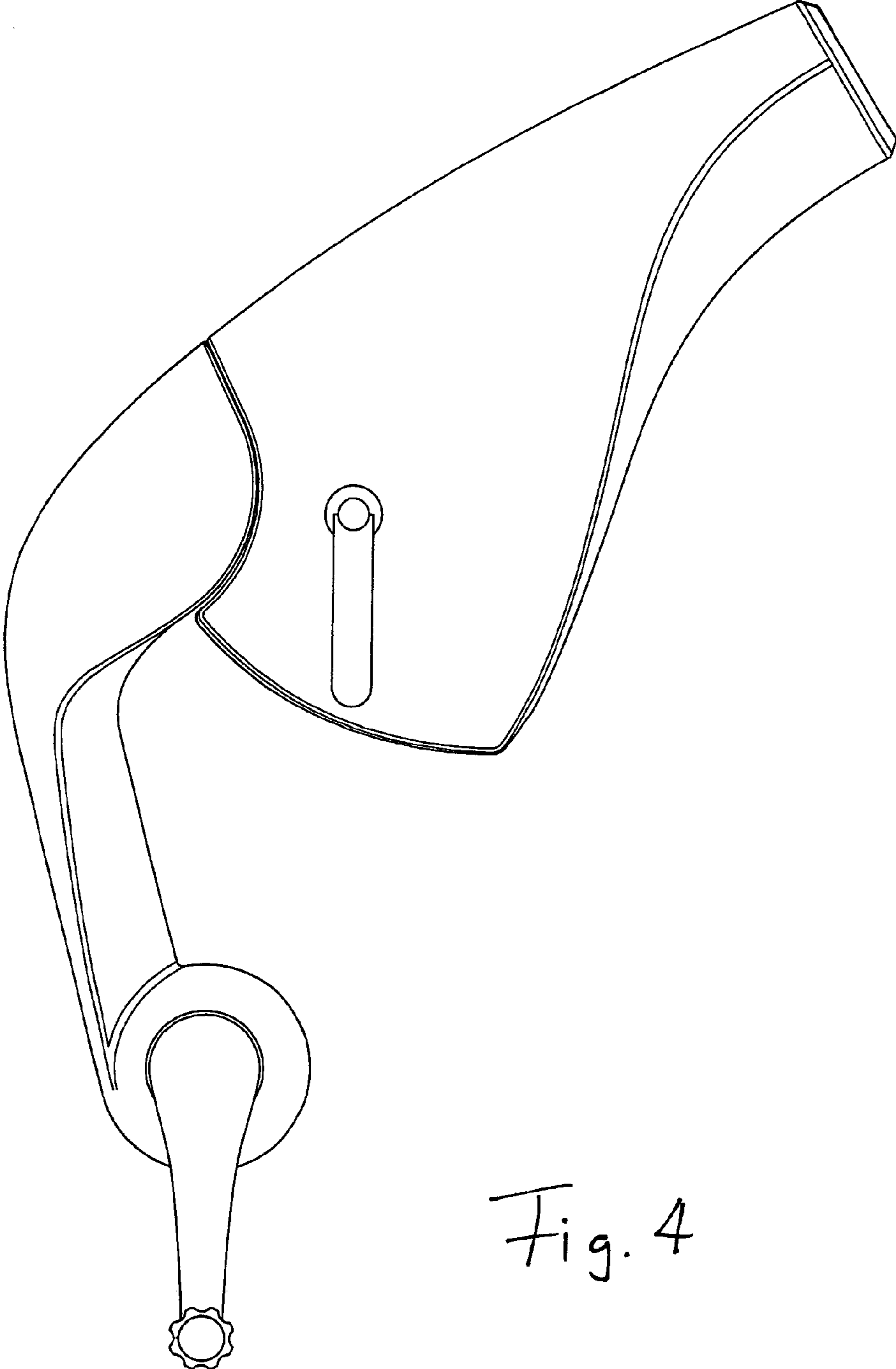


Fig. 4

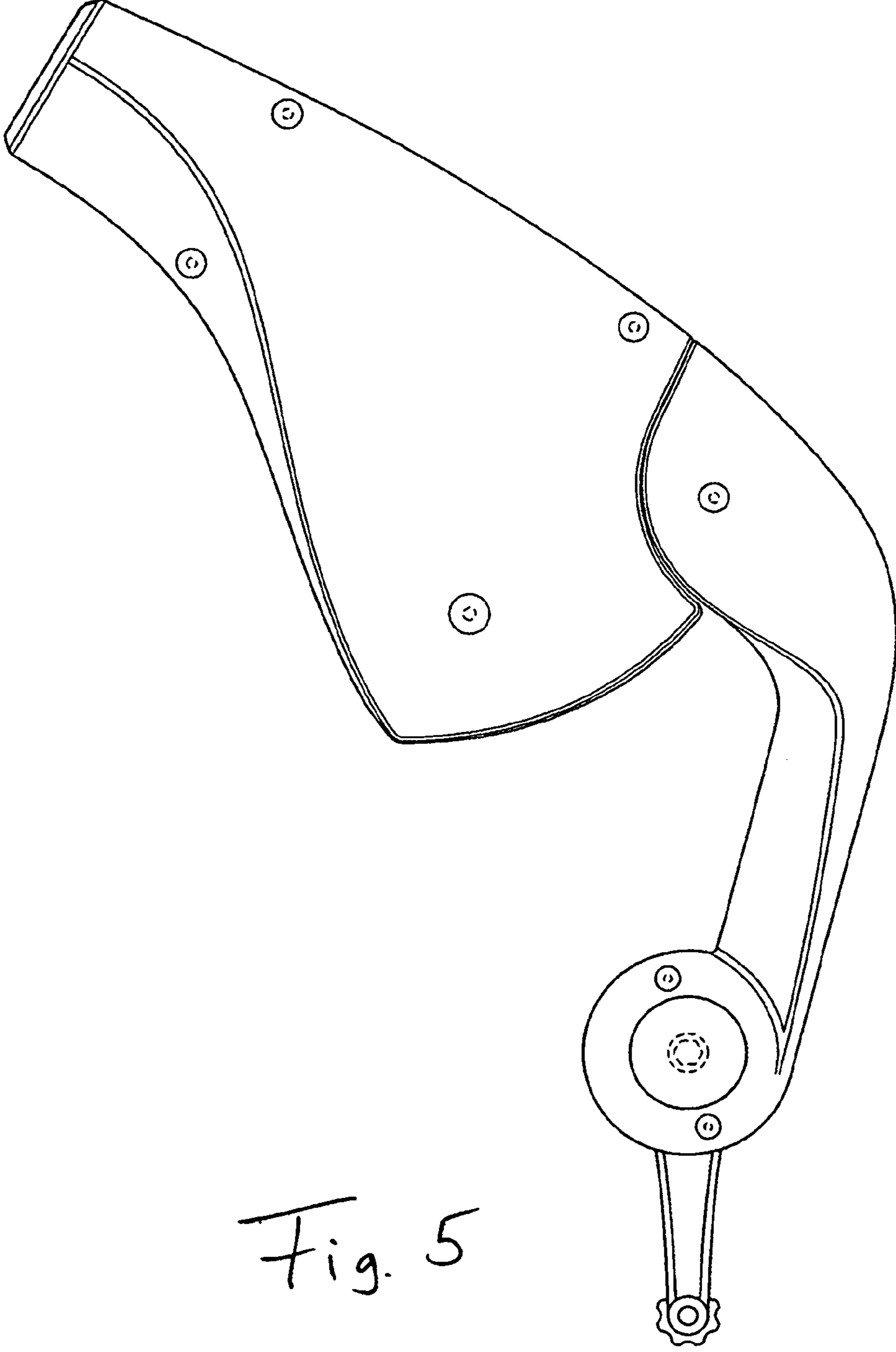


Fig. 5

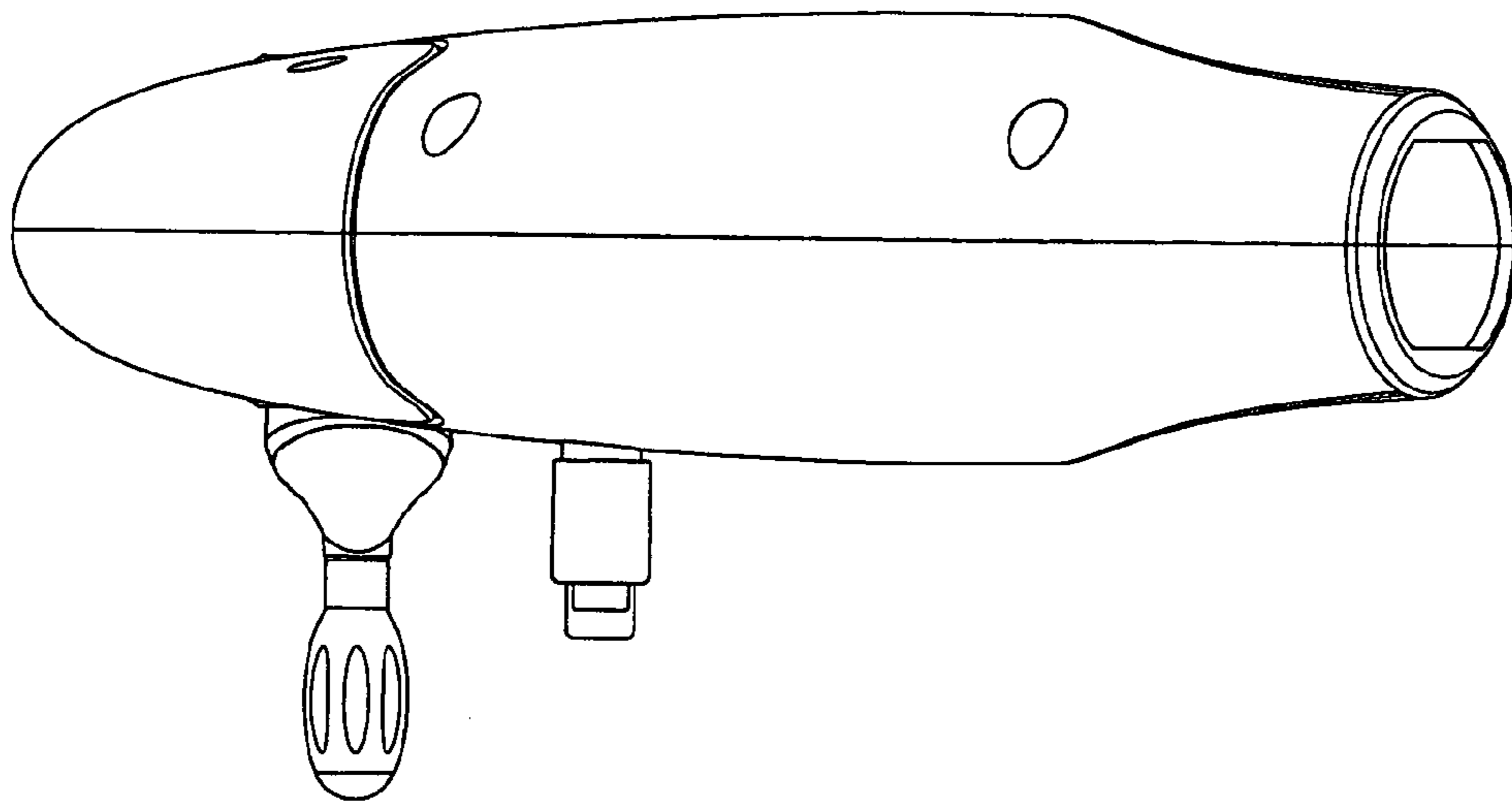


Fig. 6

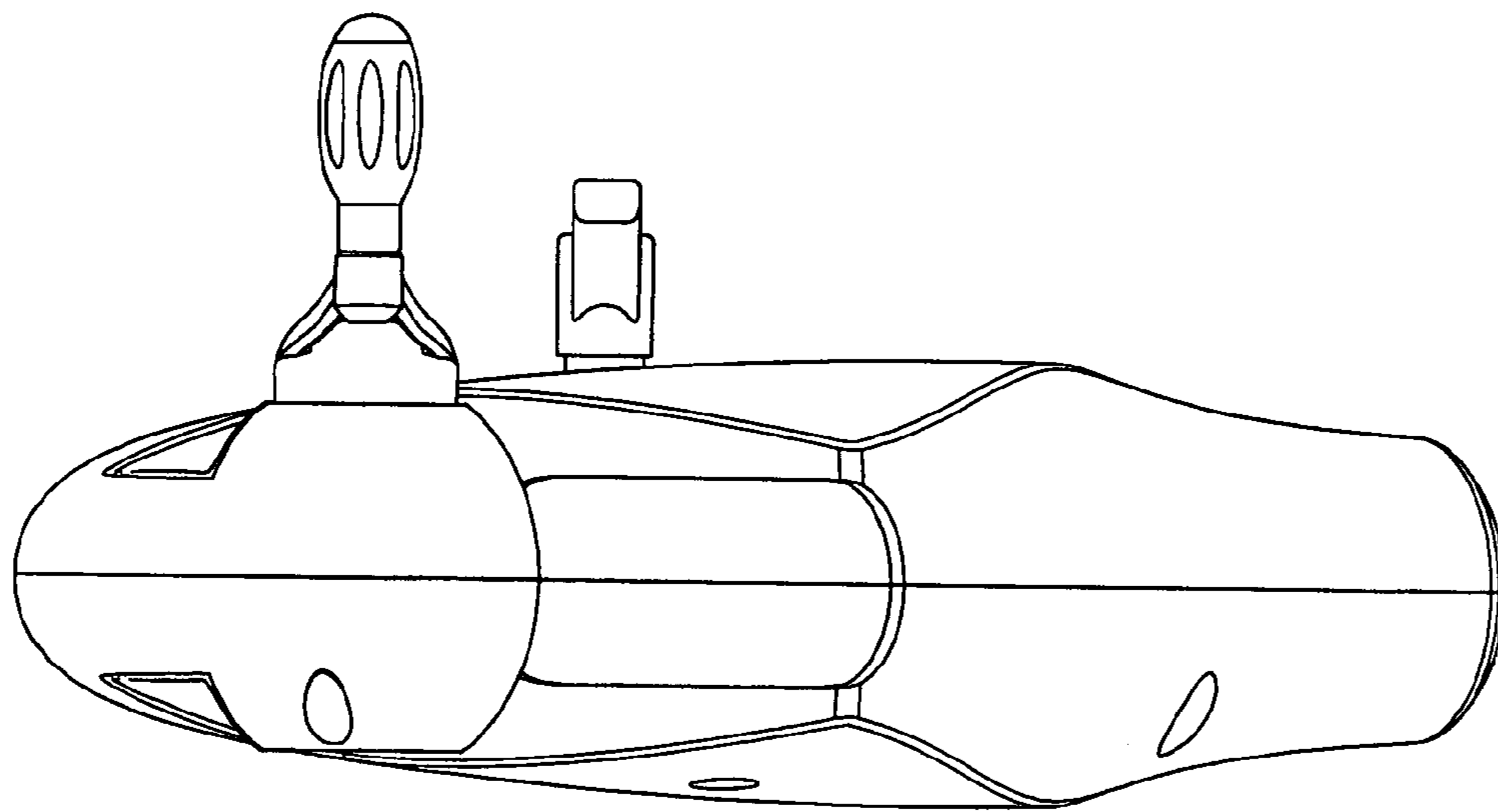


Fig. 7