



US00D602685S

(12) **United States Design Patent**  
**Barteet**

(10) **Patent No.:** **US D602,685 S**

(45) **Date of Patent:** **\*\* Oct. 27, 2009**

(54) **BELTED SHOE TOP**

(76) Inventor: **Dominique Barteet**, 3874 Fiscal Ct.,  
#400, West Palm Beach, FL (US) 33404

(\*\*) Term: **14 Years**

(21) Appl. No.: **29/331,506**

(22) Filed: **Jan. 27, 2009**

(51) **LOC (9) Cl.** ..... **02-99**

(52) **U.S. Cl.** ..... **D2/976; D2/946; D2/969**

(58) **Field of Classification Search** ..... D2/896,  
D2/916, 925, 926, 946, 969, 971, 972, 974,  
D2/976; 36/45, 11.5, 90, 101, 3 A, 50.1,  
36/7.5, 9 R, 2 R, 100, 114, 96, 97, 89, 132  
See application file for complete search history.

(56) **References Cited**

**U.S. PATENT DOCUMENTS**

D95,809 S *	6/1935	Liso .....	D2/938
D99,146 S *	3/1936	Troy .....	D2/929
3,063,167 A *	11/1962	Scholl .....	36/11.5
3,063,457 A *	11/1962	Bittner et al. ....	36/174
3,698,108 A *	10/1972	Brunner .....	36/11.58
D268,455 S *	4/1983	Famolare, Jr. ....	D2/918

D275,429 S *	9/1984	Nakao et al. ....	D2/918
D294,076 S *	2/1988	Birrittella .....	D2/918
D421,828 S *	3/2000	Malka .....	D2/916
D495,124 S *	8/2004	Wakatake .....	D2/969
D513,838 S *	1/2006	Birkenstock .....	D2/916
D560,345 S *	1/2008	Belley et al. ....	D2/969
D571,550 S *	6/2008	Valle .....	D2/976
D582,141 S *	12/2008	Lawler .....	D2/971

\* cited by examiner

*Primary Examiner*—Stella M Reid

*Assistant Examiner*—Rashida C McCoy

(74) *Attorney, Agent, or Firm*—Feldman Gale P.A.

(57) **CLAIM**

The ornamental design for a belted shoe top, as shown and described.

**DESCRIPTION**

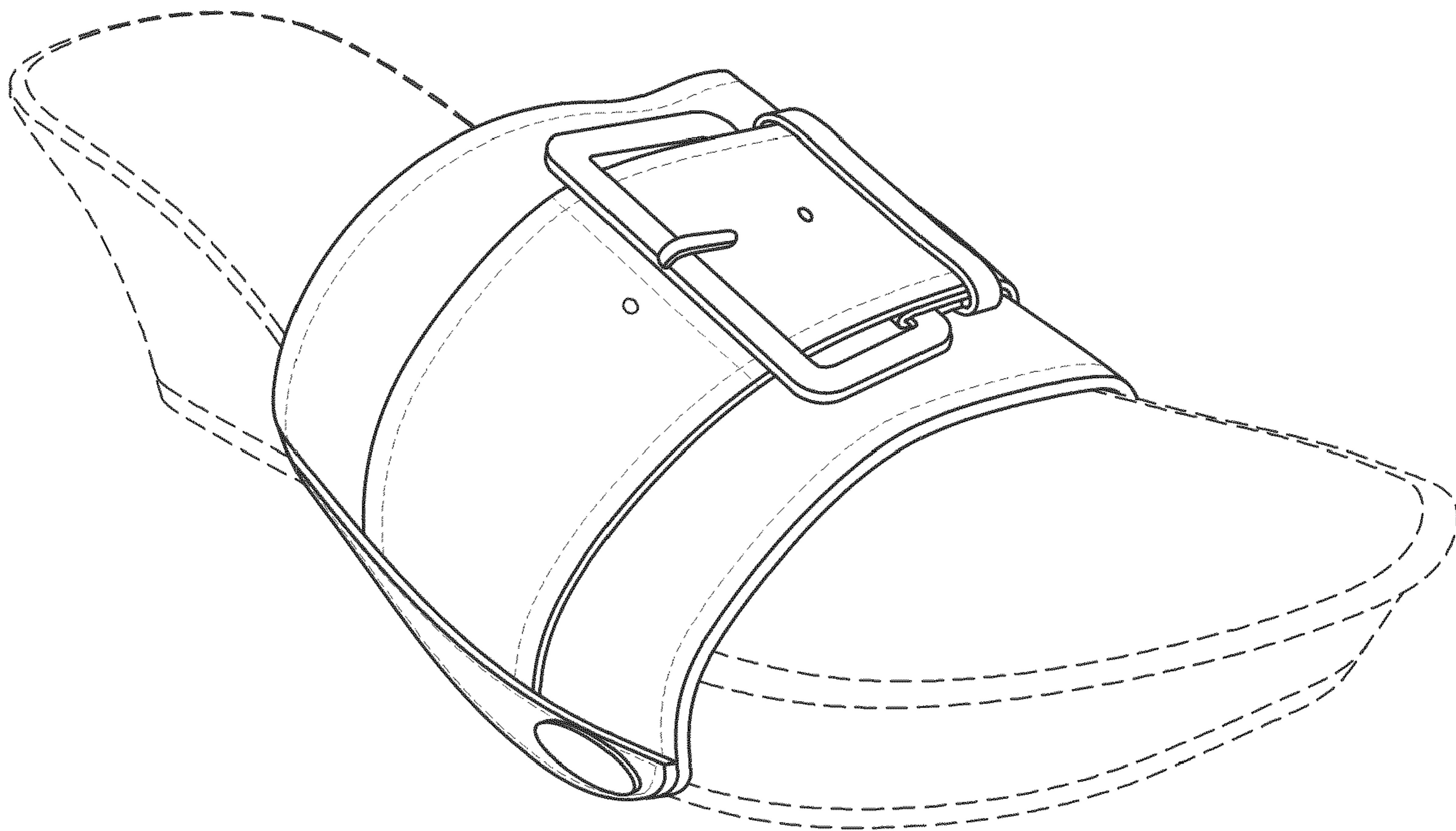
FIG. 1 is a left side perspective view of a belted shoe top, showing my new design:

FIG. 2 is a right side perspective view thereof;

FIG. 3 is a top plan view thereof; and,

FIG. 4 is a right side view thereof.

**1 Claim, 4 Drawing Sheets**



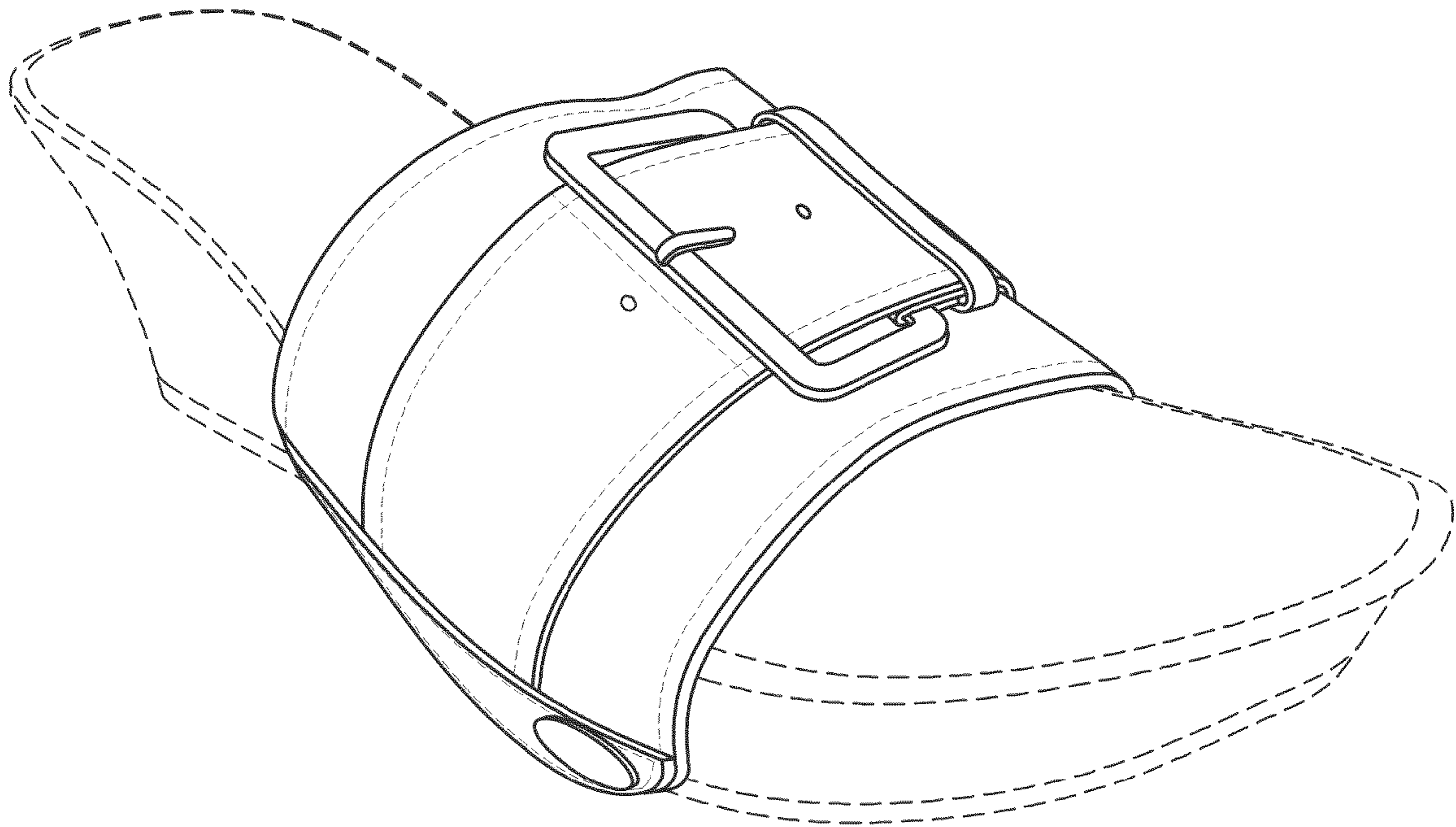


FIG. 1

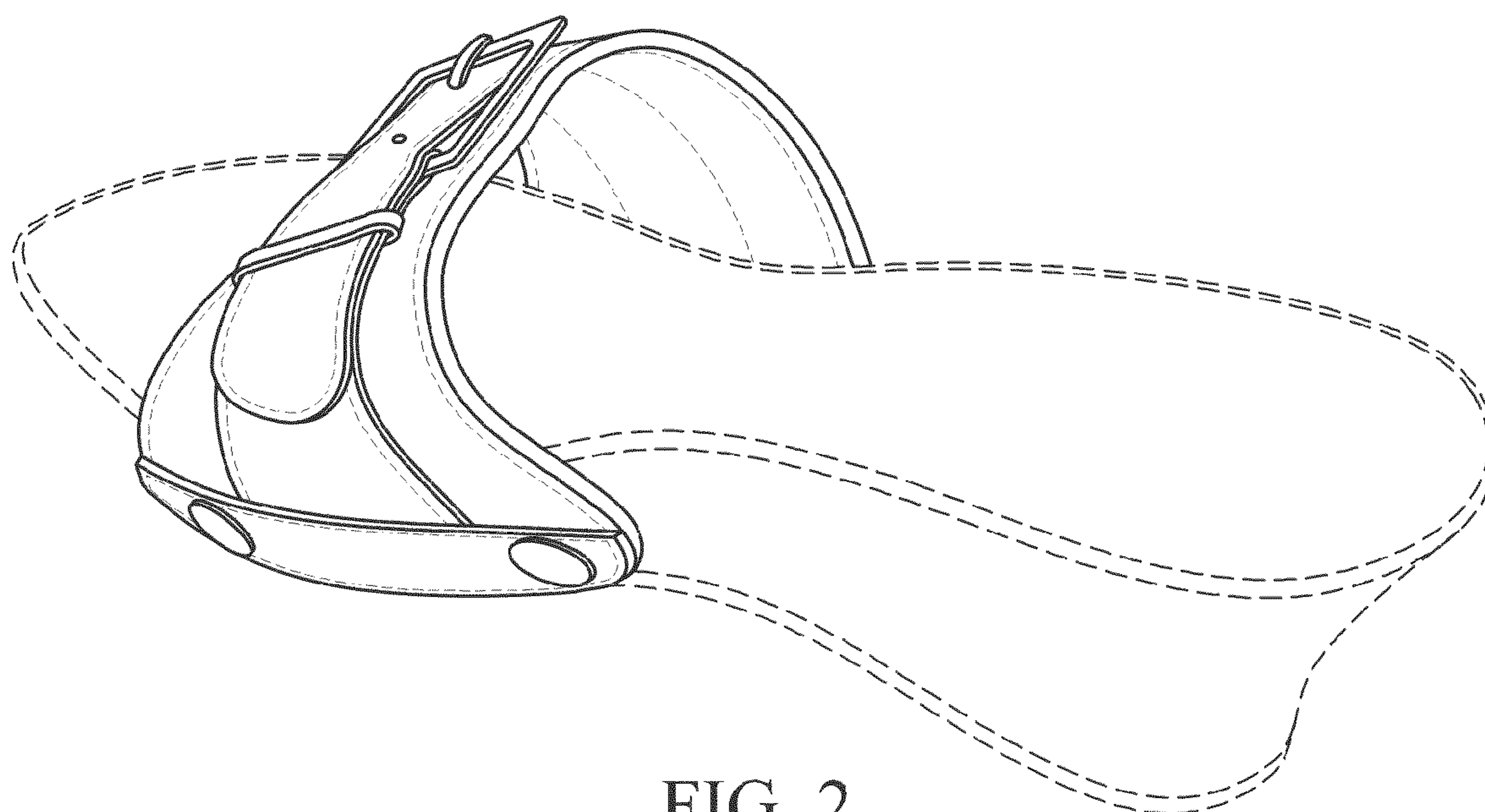


FIG. 2

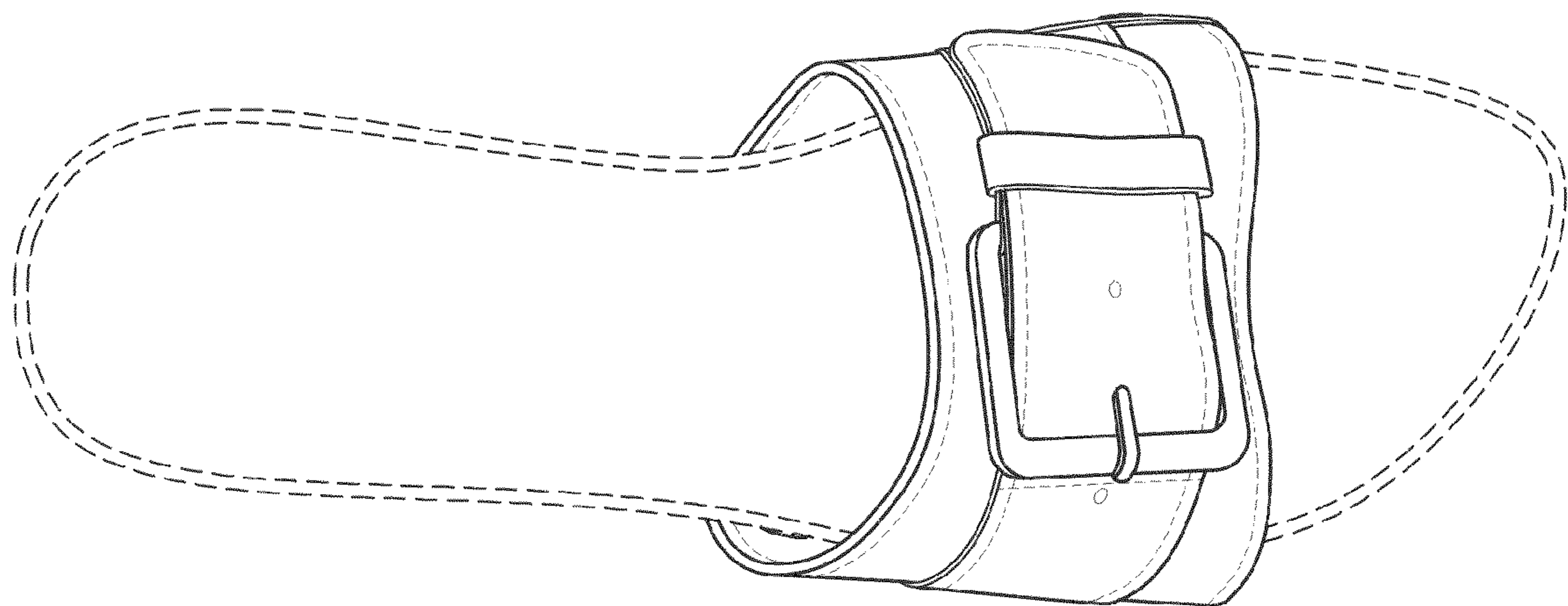


FIG. 3

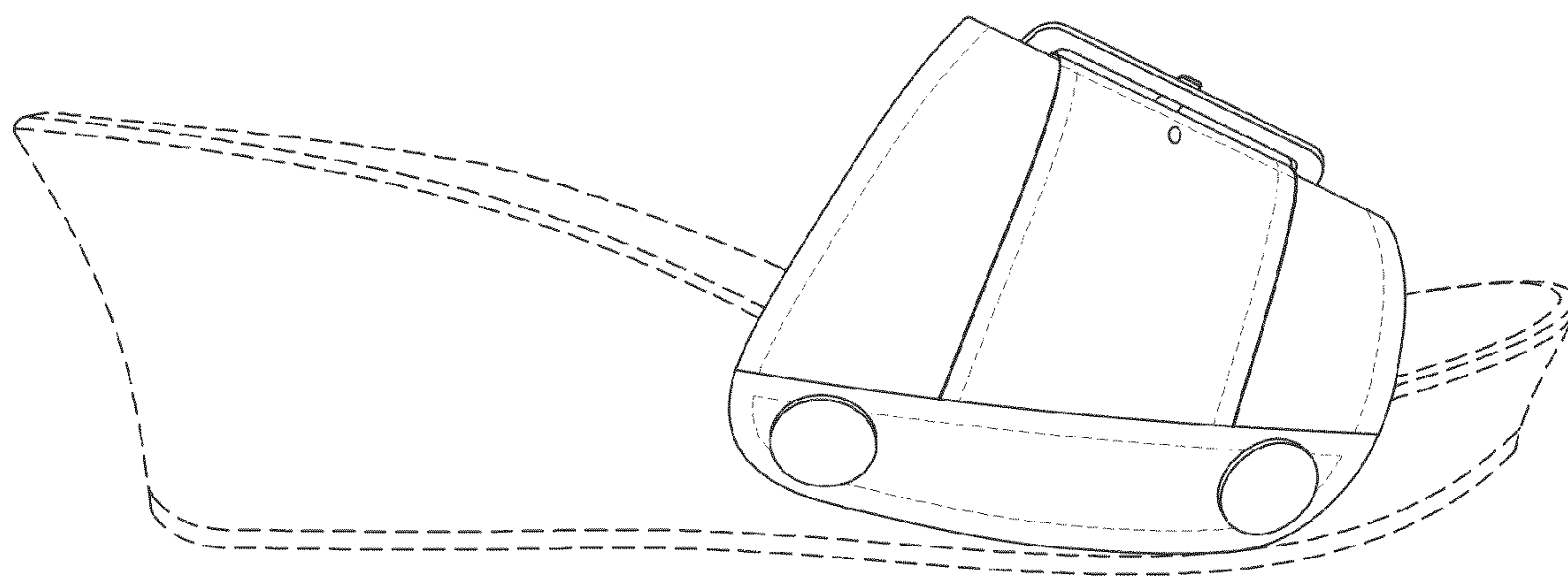


FIG. 4