

US00D602674S

(12) **United States Design Patent**
Ebbenga

(10) **Patent No.:** **US D602,674 S**

(45) **Date of Patent:** **** Oct. 20, 2009**

(54) **WINCH DRUM**

(76) Inventor: **Mark Ebbenga**, 8410 Itasca Ct., Forest Lake, MN (US) 55025

(**) Term: **14 Years**

(21) Appl. No.: **29/306,828**

(22) Filed: **Apr. 17, 2008**

(51) **LOC (9) Cl.** **12-05**

(52) **U.S. Cl.** **D34/33; D8/358**

(58) **Field of Classification Search** D34/28,
D34/33; D8/358, 359, 360.1; 254/266, 374,
254/371, 372; 242/601, 395

See application file for complete search history.

(56) **References Cited**

U.S. PATENT DOCUMENTS

3,910,557	A *	10/1975	Merriman	254/369
4,135,681	A *	1/1979	Cooper	242/392
D257,028	S *	9/1980	Row	D34/33
D278,359	S *	4/1985	Sugimoto	D22/137
D373,886	S *	9/1996	McCloud, Jr.	D34/33
D436,520	S *	1/2001	Bulman	D8/358
D493,697	S *	8/2004	Kay	D8/360
7,179,041	B2	2/2007	Ebbenga		
D538,631	S *	3/2007	Tabor et al.	D8/359
D583,651	S *	12/2008	Kawazoe	D8/358

* cited by examiner

Primary Examiner—Cynthia E Ramirez

(74) *Attorney, Agent, or Firm*—Z. Peter Sawicki; Westman, Champlin & Kelly, P.A.

(57) **CLAIM**

The ornamental design for a winch drum, as shown and described.

DESCRIPTION

FIG. 1 is a perspective view of the first embodiment for a winch drum of the present invention;

FIG. 2 is one end view thereof;

FIG. 3 is the other end view thereof;

FIG. 4 is a side view thereof with all the sides being the same;

FIG. 5 is a perspective view of another embodiment of the present invention;

FIG. 6 is one end view thereof;

FIG. 7 is the other end view thereof;

FIG. 8 is a side view thereof with all the sides being the same;

FIG. 9 is a perspective view of another embodiment of the present invention;

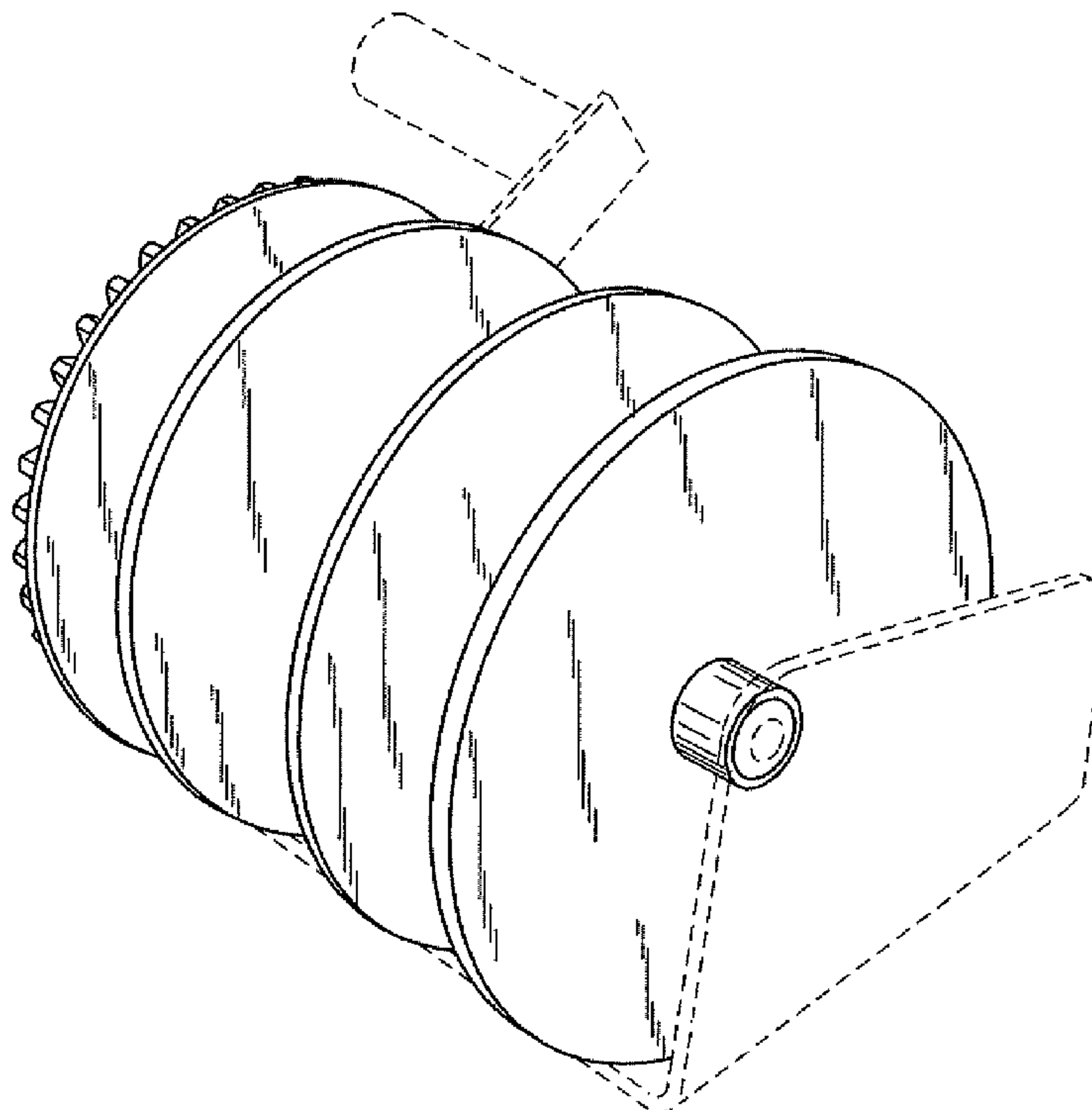
FIG. 10 is one end view thereof;

FIG. 11 is the other end view thereof; and,

FIG. 12 is a side view thereof with all the sides being the same.

The broken line showing of a handle and some elements in some of the figures is included for the purpose of illustrating environment and forms no part of the claimed design.

1 Claim, 12 Drawing Sheets



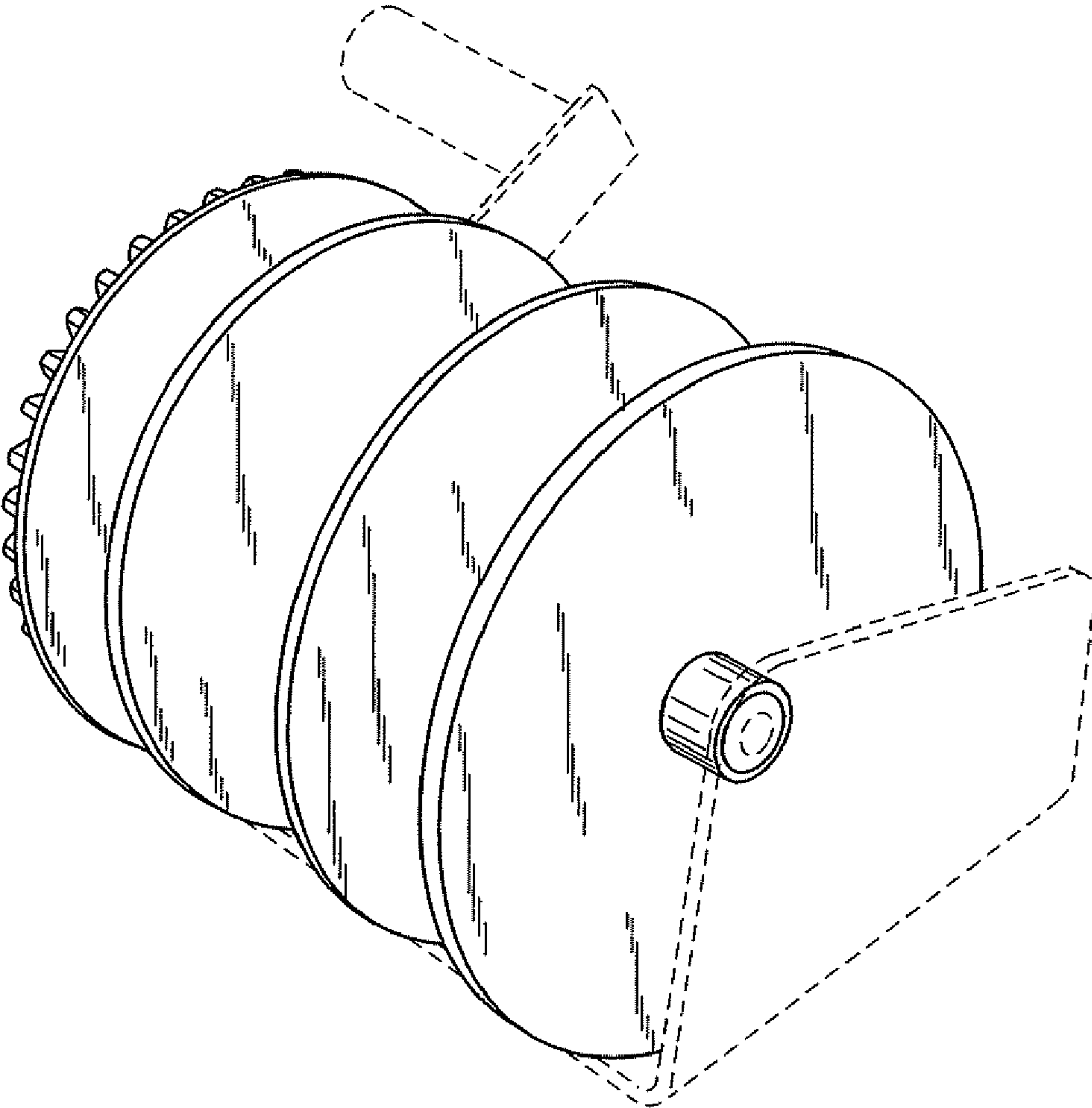


Fig. 1

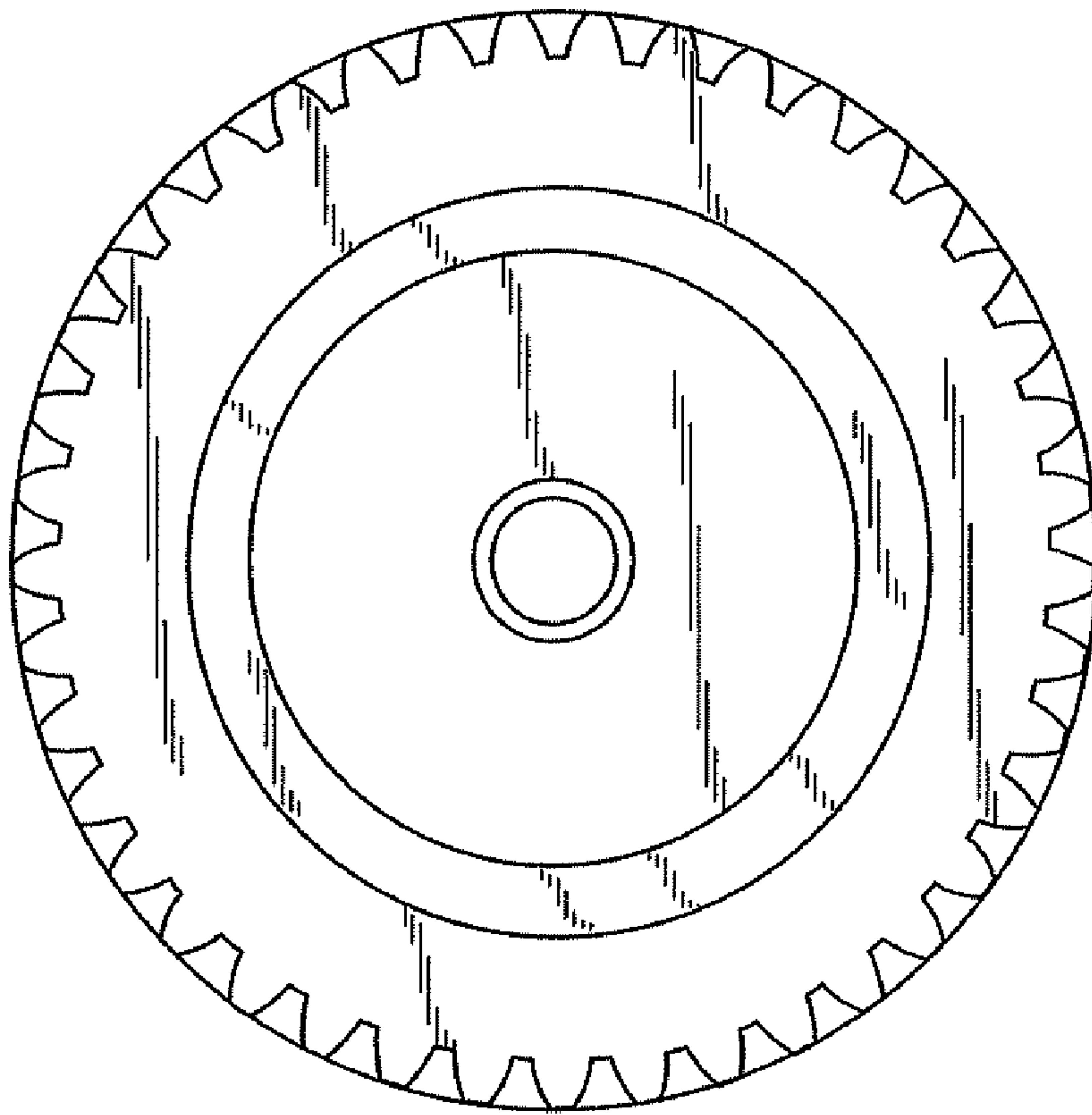


Fig. 2

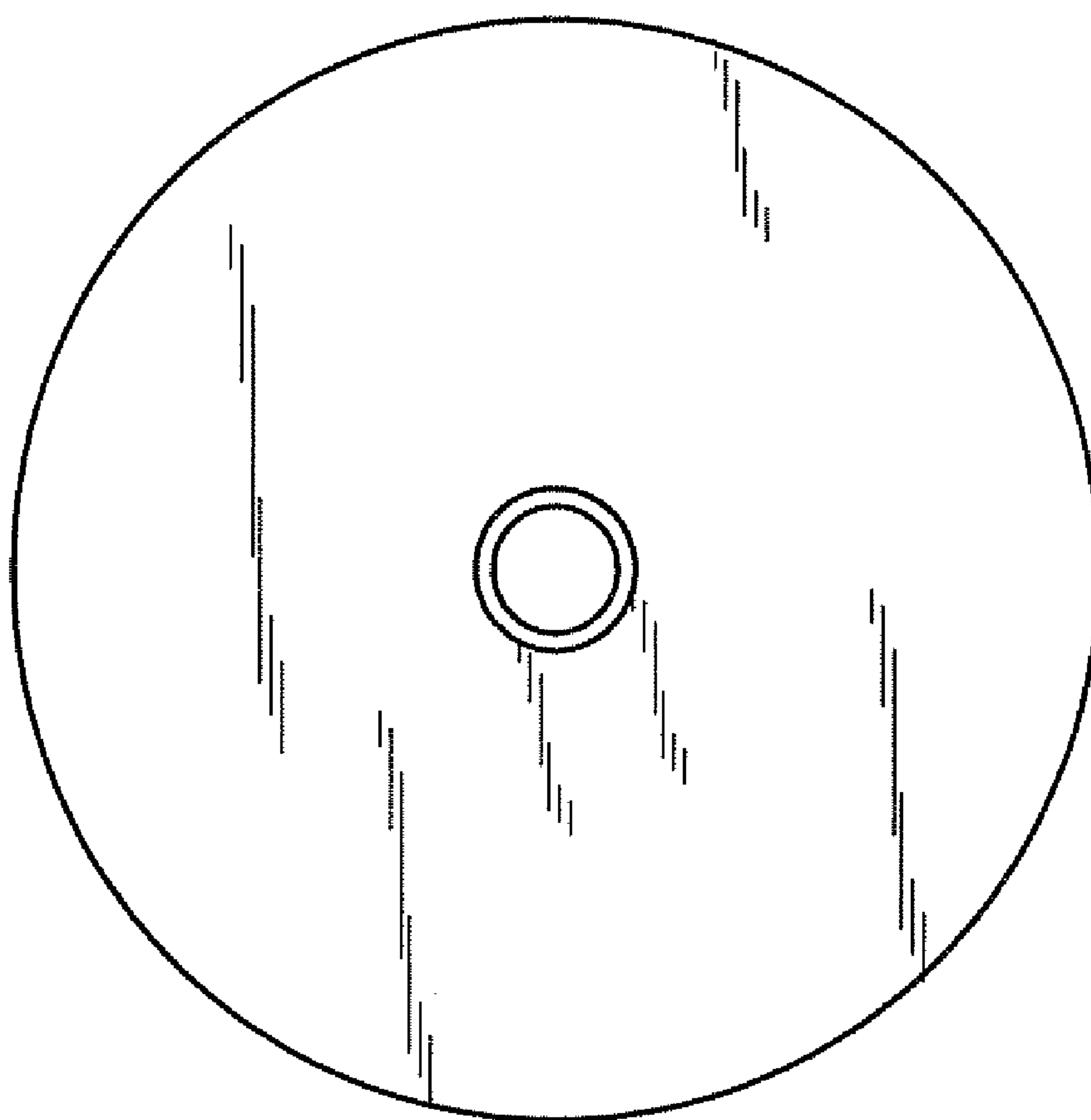


Fig. 3

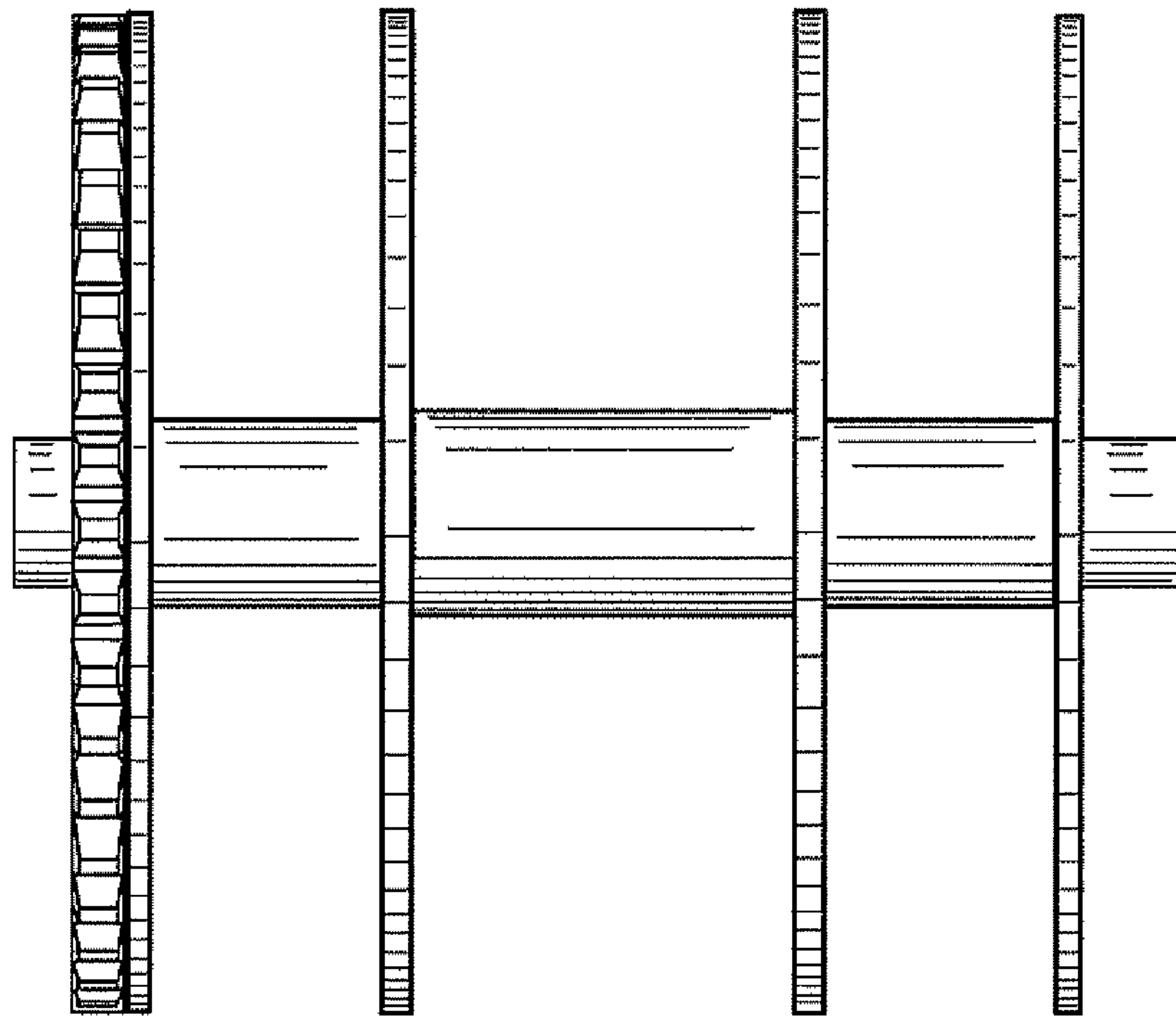


Fig. 4

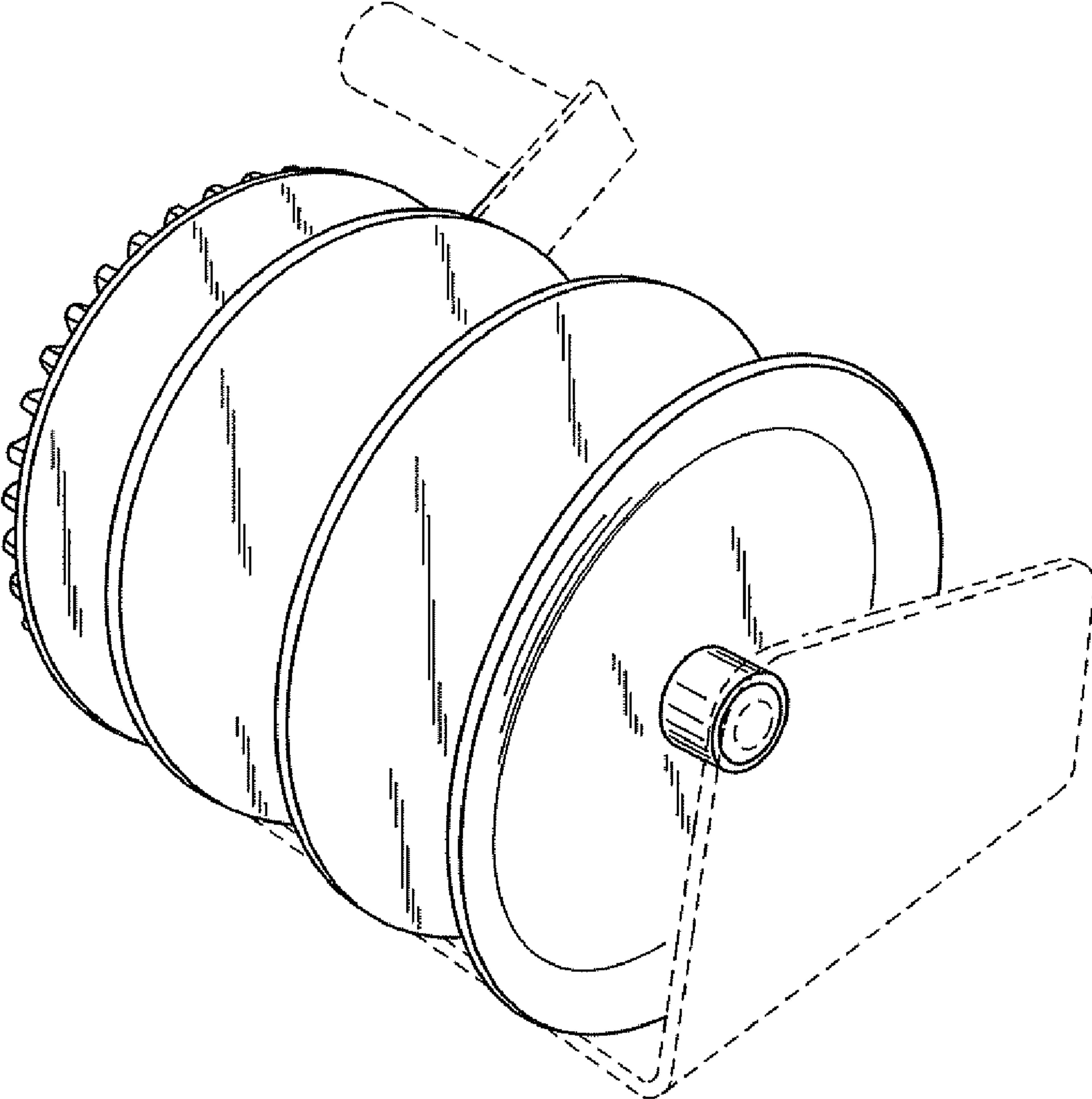


Fig. 5

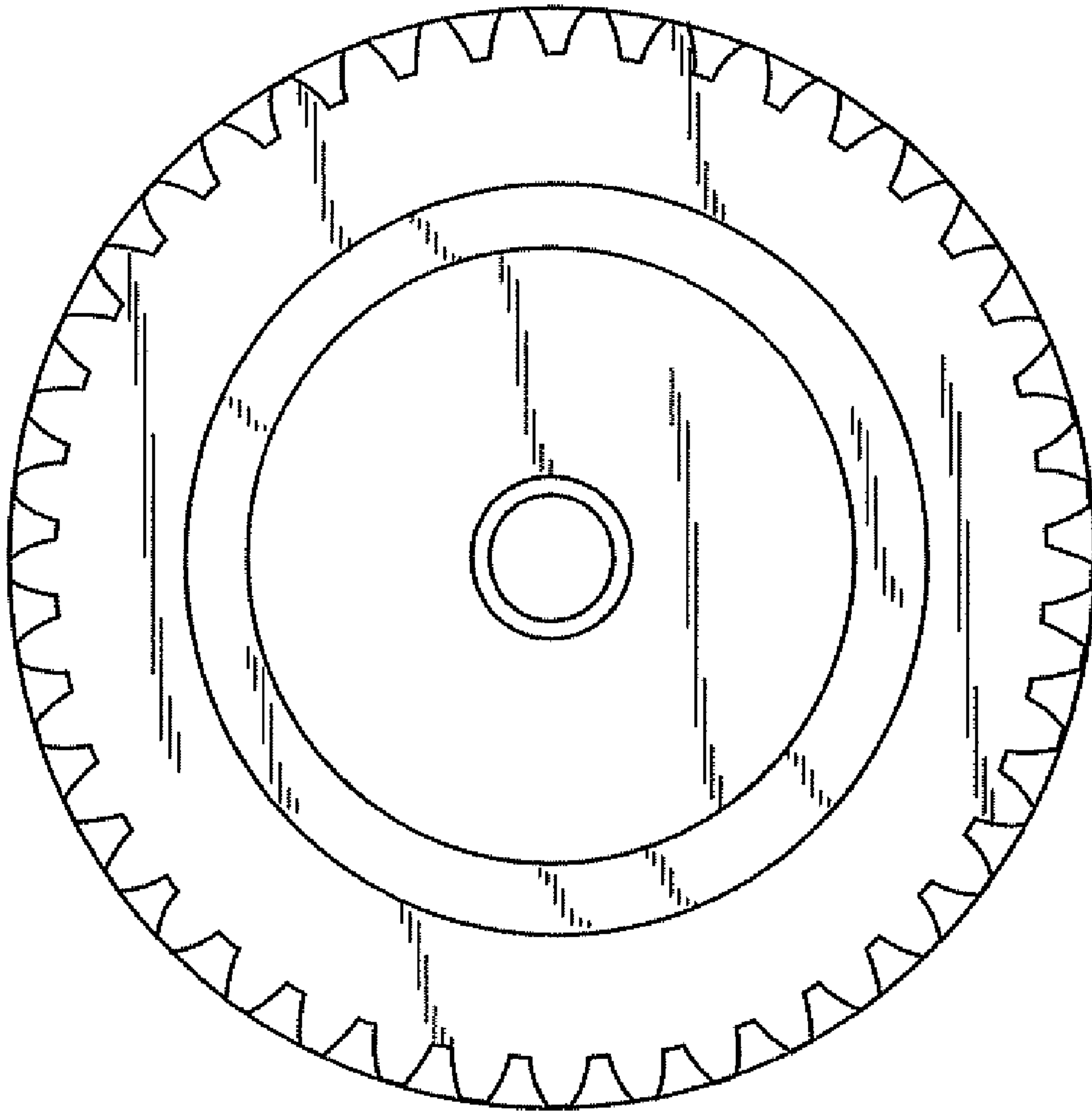


Fig. 6

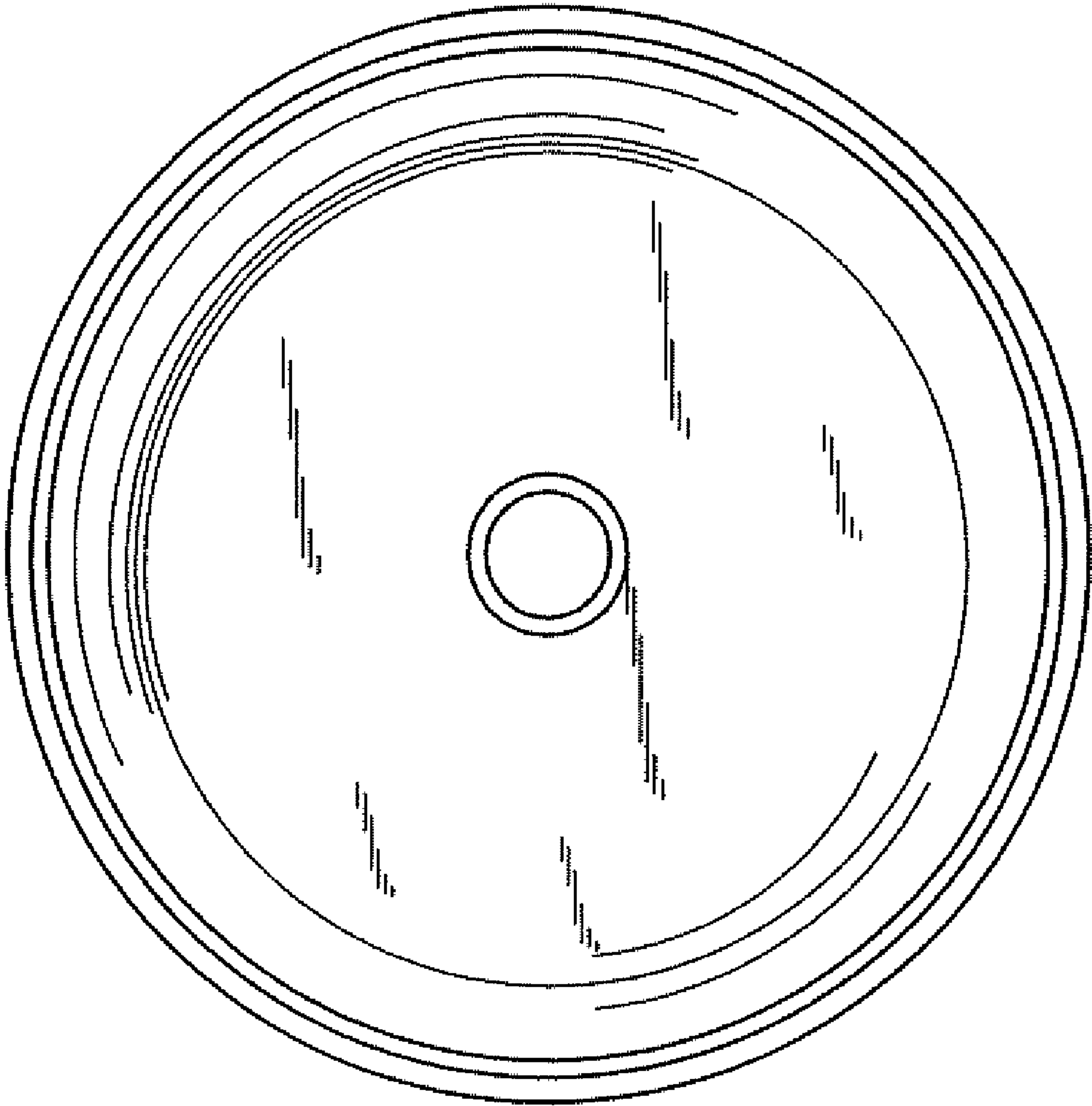


Fig. 7

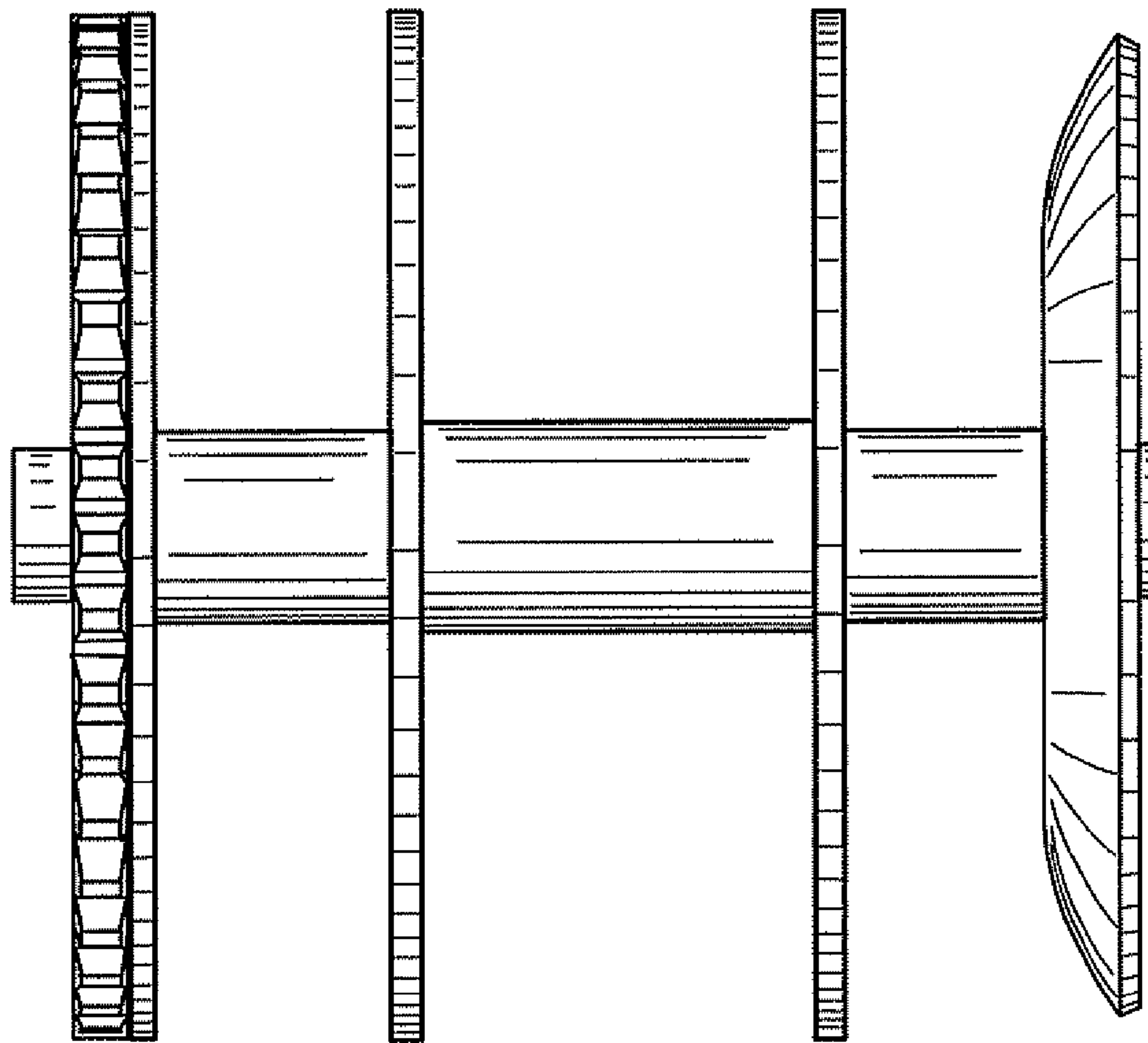


Fig. 8

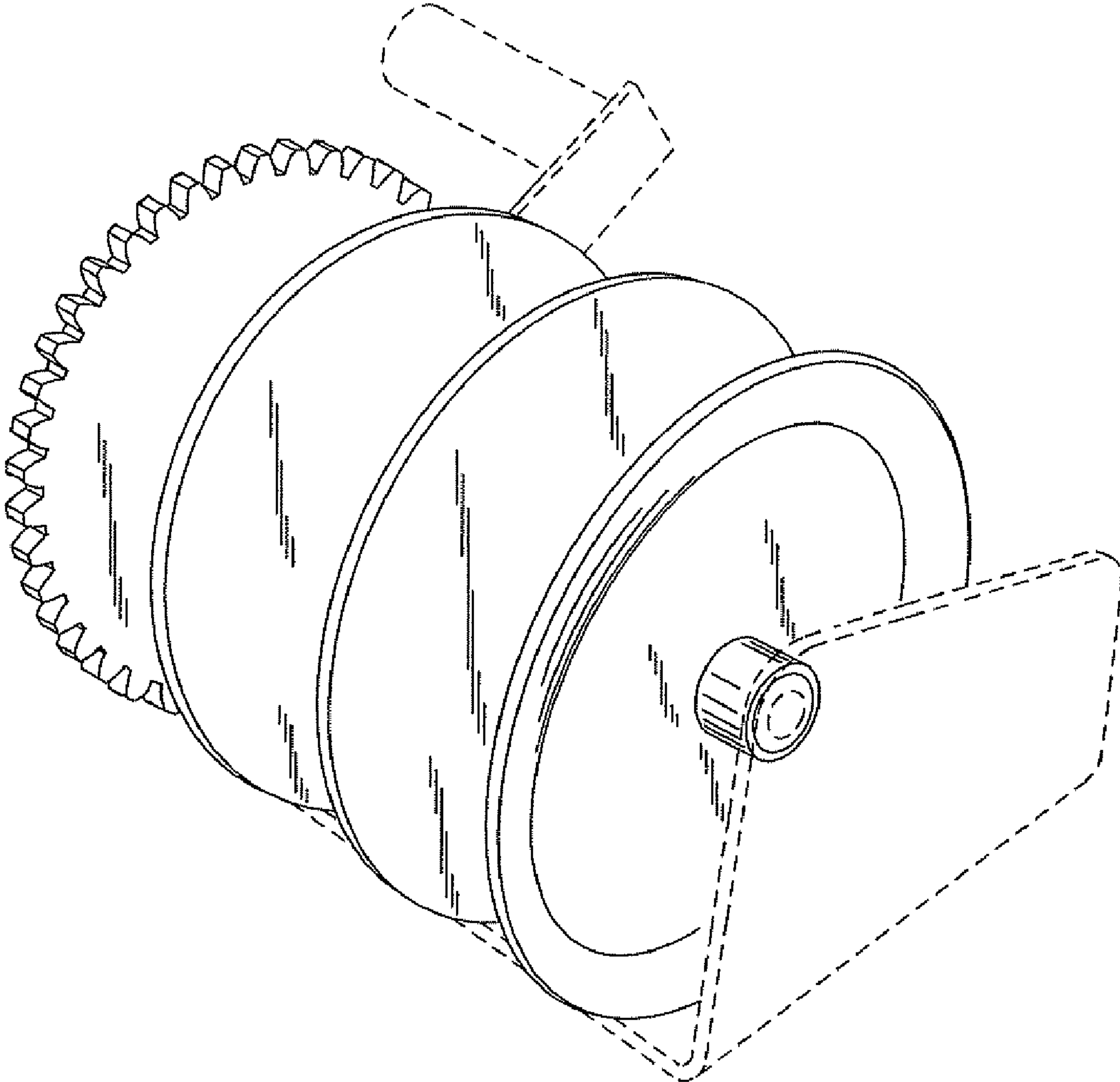


Fig. 9

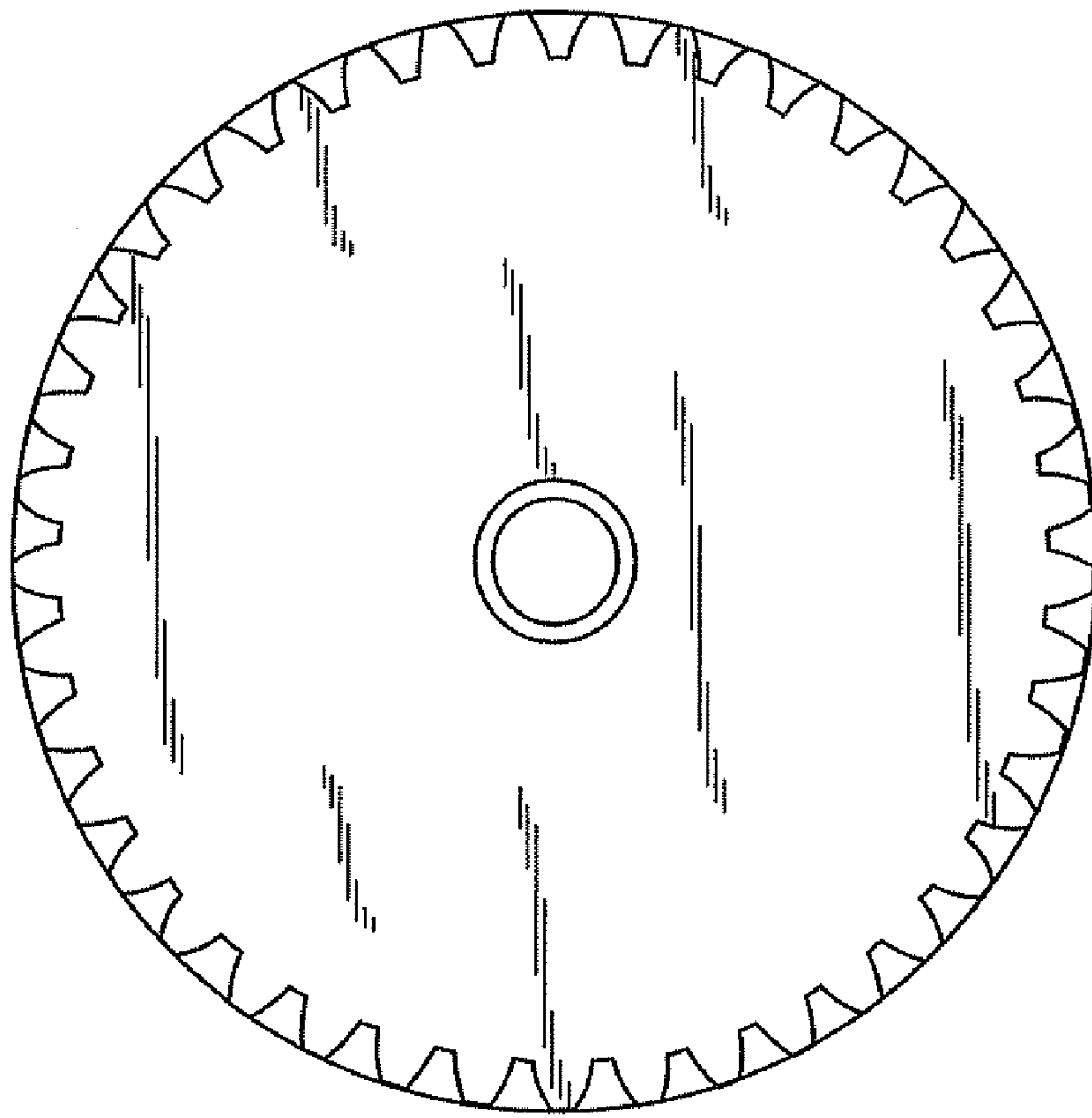


Fig. 10

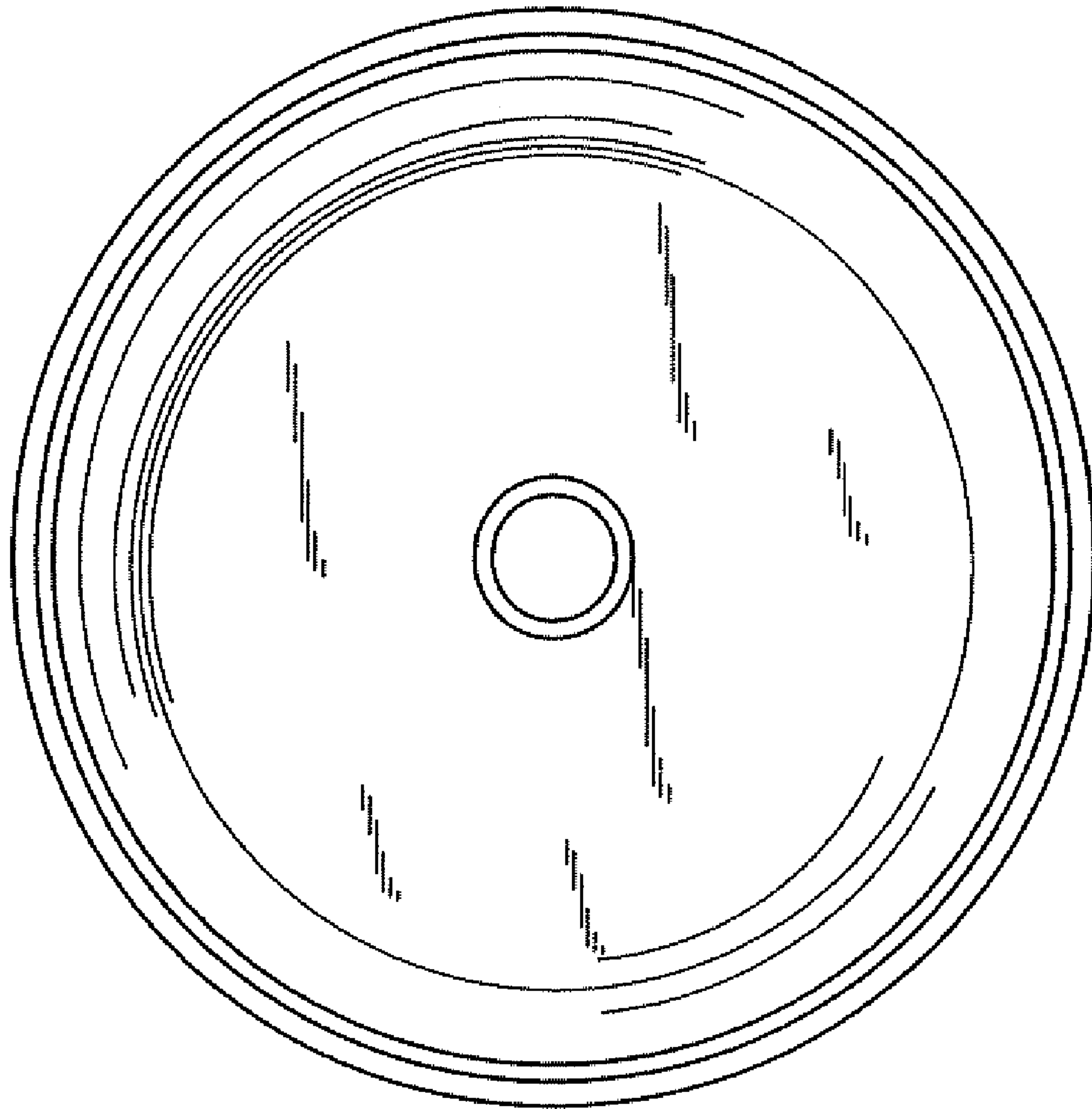


Fig. 11

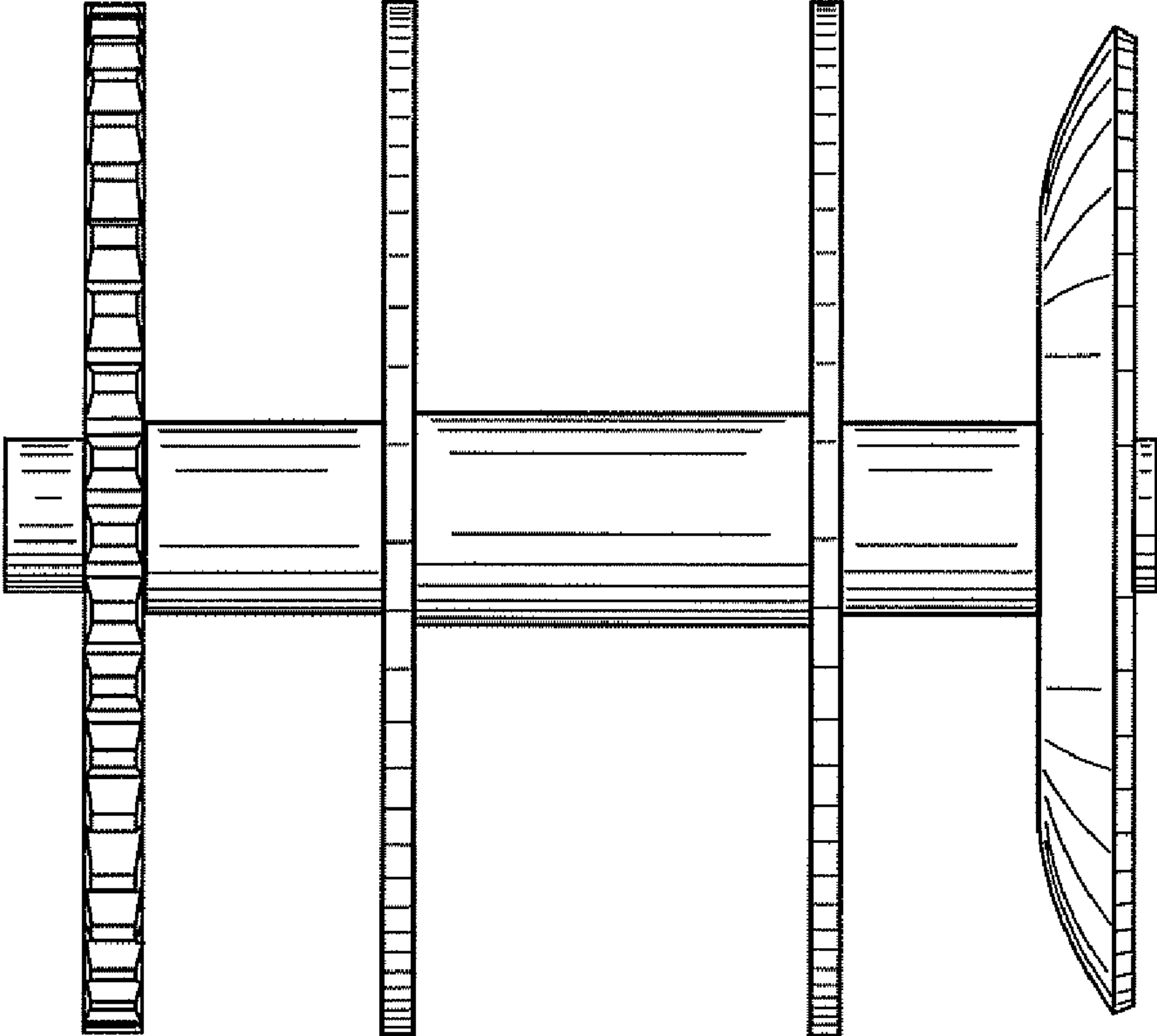


Fig. 12