

US00D602673S

(12) **United States Design Patent**  
**Allen**

(10) **Patent No.:** **US D602,673 S**  
(45) **Date of Patent:** **\*\* Oct. 20, 2009**

(54) **WHEELCHAIR RAMP BASE**

7,430,775 B2 10/2008 Allen  
7,533,433 B2 \* 5/2009 Morris et al. .... 14/71.3

(75) Inventor: **Richard D. Allen**, Fairbury, NE (US)

**FOREIGN PATENT DOCUMENTS**

(73) Assignee: **Prairie View Industries, Inc.**, Fairbury, NE (US)

DE 21 06 972 2/1978  
GB 1038445 8/1966  
GB 2 259 903 3/1993

(\*\*) Term: **14 Years**

**OTHER PUBLICATIONS**

(21) Appl. No.: **29/325,475**

Prairie View Industries, Inc. Multi-Fold Ramp, marketing brochure for prior Multi-Fold Ramp on sale more than one year prior to the filing date of the present application.

(22) Filed: **Oct. 1, 2008**

U.S. Appl. No. 09/491,138 entitled Wheelchair Ramp With Reinforced Hinge filed Jan. 26, 2000 (abandoned Oct. 31, 2001).

(51) **LOC (9) Cl.** ..... **12-05**

\* cited by examiner

(52) **U.S. Cl.** ..... **D34/32**

*Primary Examiner*—Cynthia E Ramirez

(58) **Field of Classification Search** ..... D34/32,  
D34/28, 31; 414/539, 540, 541, 678, 921;  
14/69.5, 2.4, 71.1, 71.3

(74) *Attorney, Agent, or Firm*—Stinson Morrison Hecker LLP

See application file for complete search history.

(57) **CLAIM**

(56) **References Cited**

The ornamental design for a wheelchair ramp base, as shown and described.

**U.S. PATENT DOCUMENTS**

**DESCRIPTION**

|           |      |         |                 |       |         |
|-----------|------|---------|-----------------|-------|---------|
| 884,847   | A *  | 4/1908  | Oslin           | ..... | 14/69.5 |
| D246,449  | S    | 11/1977 | Poe             |       |         |
| 4,478,549 | A    | 10/1984 | Stelly et al.   |       |         |
| 4,528,711 | A    | 7/1985  | Packer          |       |         |
| D297,064  | S    | 8/1988  | Ball et al.     |       |         |
| D299,776  | S    | 2/1989  | Canterberry     |       |         |
| 4,817,224 | A    | 4/1989  | Visnaw et al.   |       |         |
| 5,176,361 | A *  | 1/1993  | Ayala, III      | ..... | 254/88  |
| 5,211,260 | A    | 5/1993  | Toycen          |       |         |
| 5,287,579 | A    | 2/1994  | Estevez, Jr.    |       |         |
| 5,325,558 | A    | 7/1994  | Labreche        |       |         |
| 5,347,672 | A    | 9/1994  | Everard et al.  |       |         |
| 5,547,041 | A    | 8/1996  | Morrall Gispert |       |         |
| 5,903,943 | A    | 5/1999  | Sherrod         |       |         |
| 5,933,898 | A    | 8/1999  | Estes et al.    |       |         |
| 5,938,397 | A    | 8/1999  | Schouest        |       |         |
| 6,009,587 | A    | 1/2000  | Beeman          |       |         |
| 6,119,634 | A    | 9/2000  | Myrick          |       |         |
| 6,139,249 | A    | 10/2000 | Lucht           |       |         |
| 6,269,508 | B1 * | 8/2001  | Younce          | ..... | 14/69.5 |
| 6,430,769 | B1   | 8/2002  | Allen           |       |         |
| 6,463,613 | B1 * | 10/2002 | Thompson        | ..... | 14/69.5 |
| D521,710  | S *  | 5/2006  | Goldschmidt     | ..... | D34/32  |
| D523,610  | S *  | 6/2006  | Kissell         | ..... | D34/38  |

FIG. 1 is a front perspective view of the wheelchair ramp base;

FIG. 2 is a front end view of the wheelchair ramp base of FIG. 1;

FIG. 3 is a rear end view of the wheelchair ramp base of FIG. 1;

FIG. 4 is a right side elevational view of the wheelchair ramp base of FIG. 1;

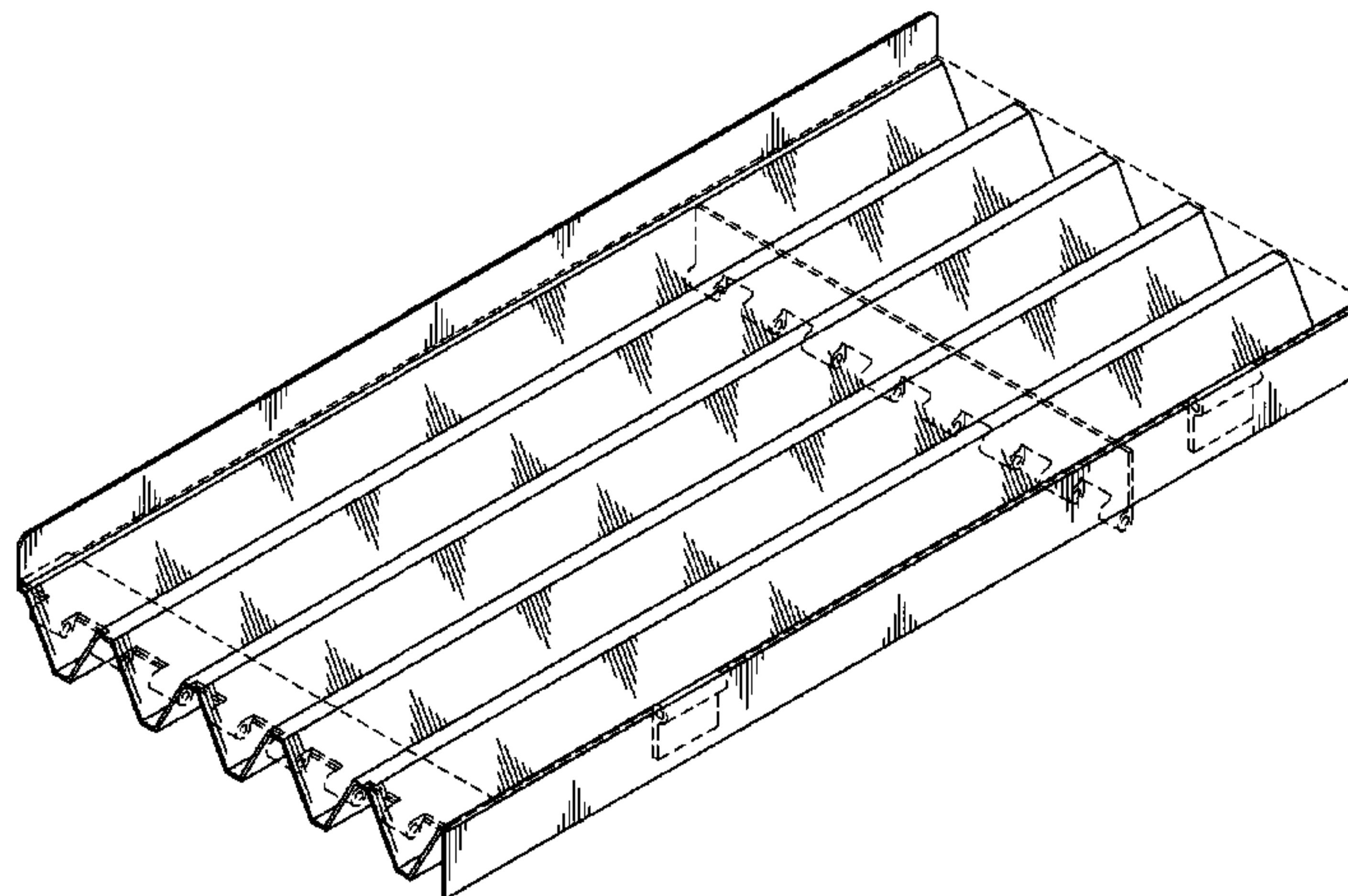
FIG. 5 is a left side elevational view of the wheelchair ramp base of FIG. 1; and

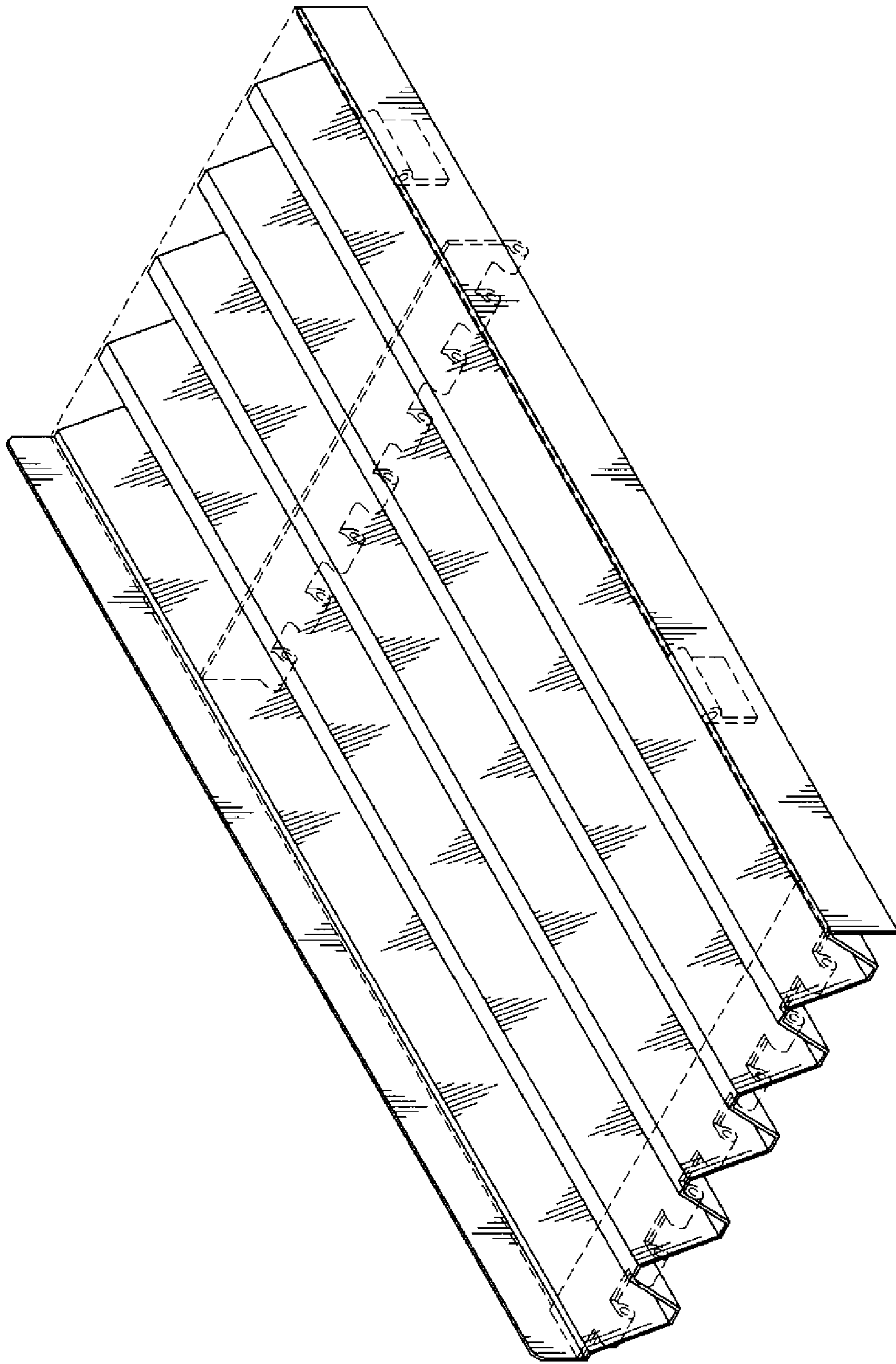
FIG. 6 is a top view of the wheelchair ramp base of FIG. 1; and,

FIG. 7 is a bottom view of the wheelchair ramp base of FIG. 1.

The broken line showing of elements in the figures is included for the purpose of illustrating environment and forms no part of the claimed design.

**1 Claim, 4 Drawing Sheets**





**FIG. 1**

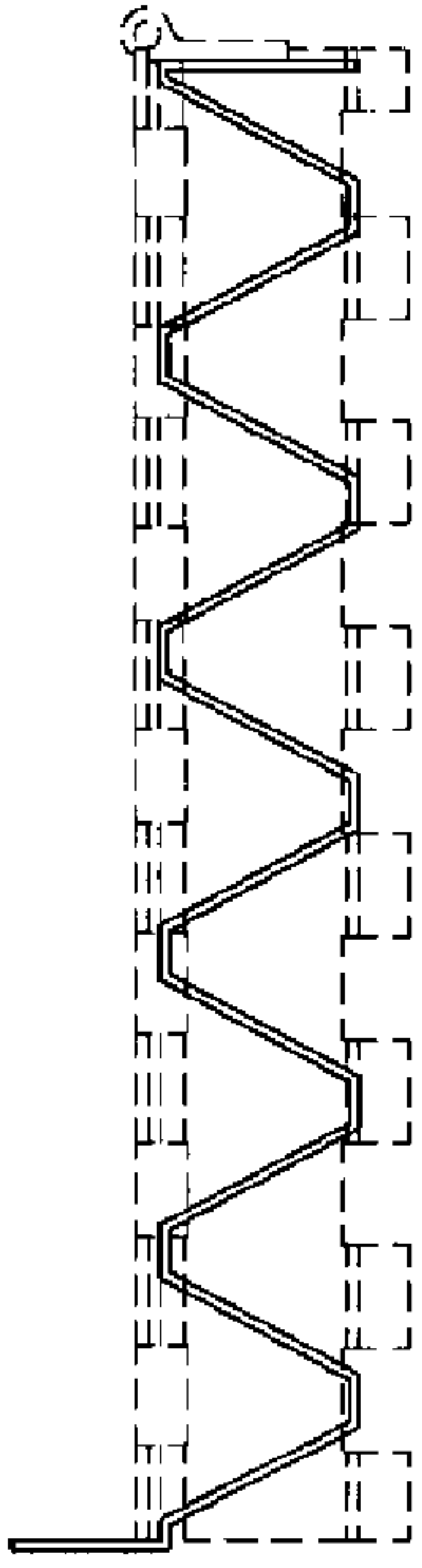


FIG. 2

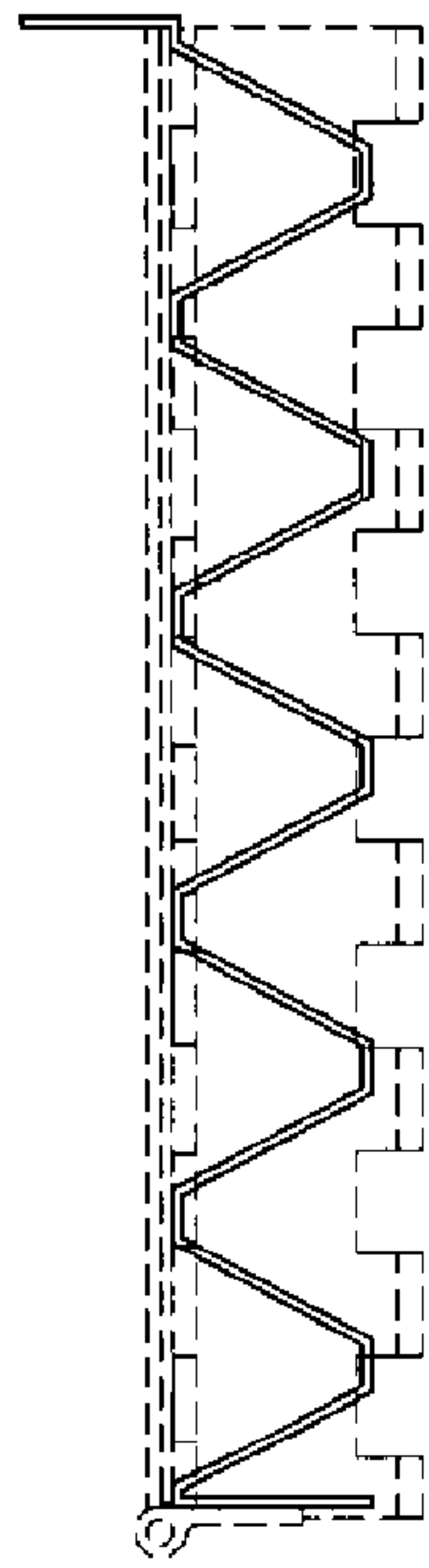


FIG. 3

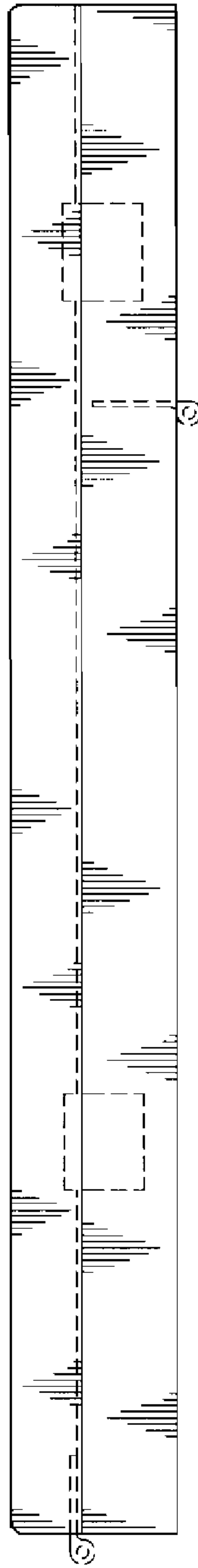


FIG. 4

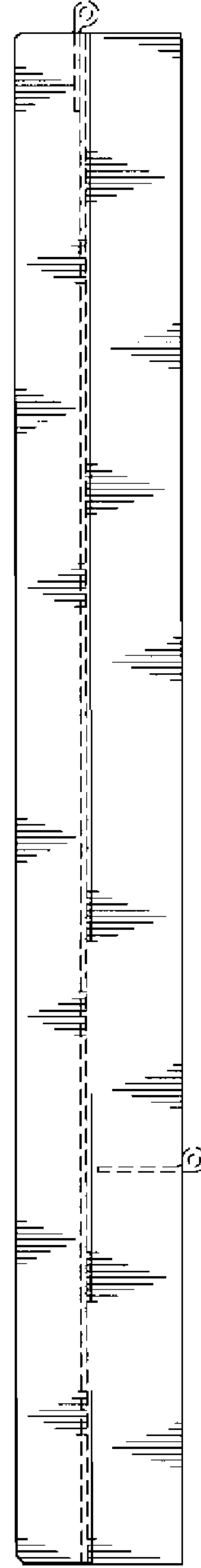
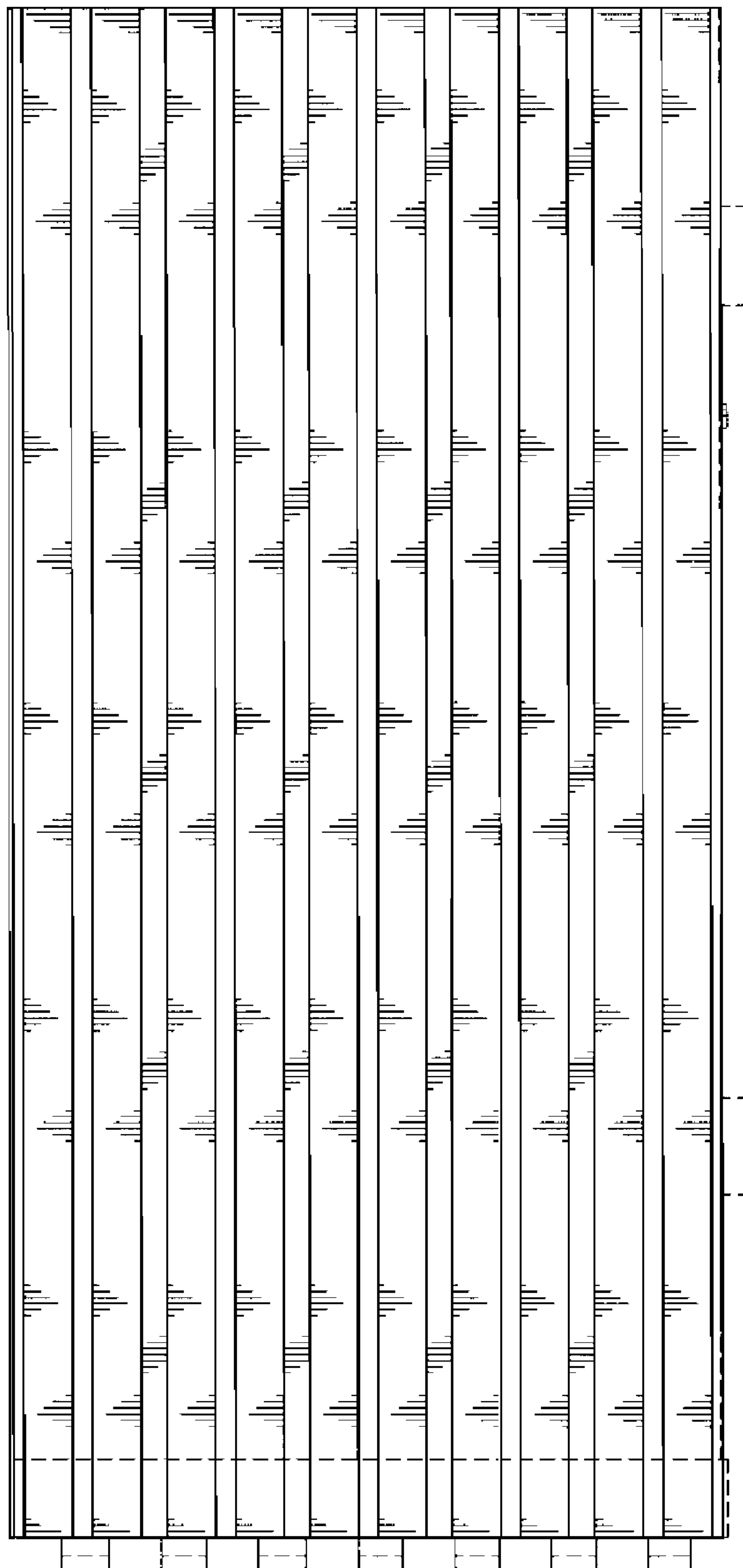
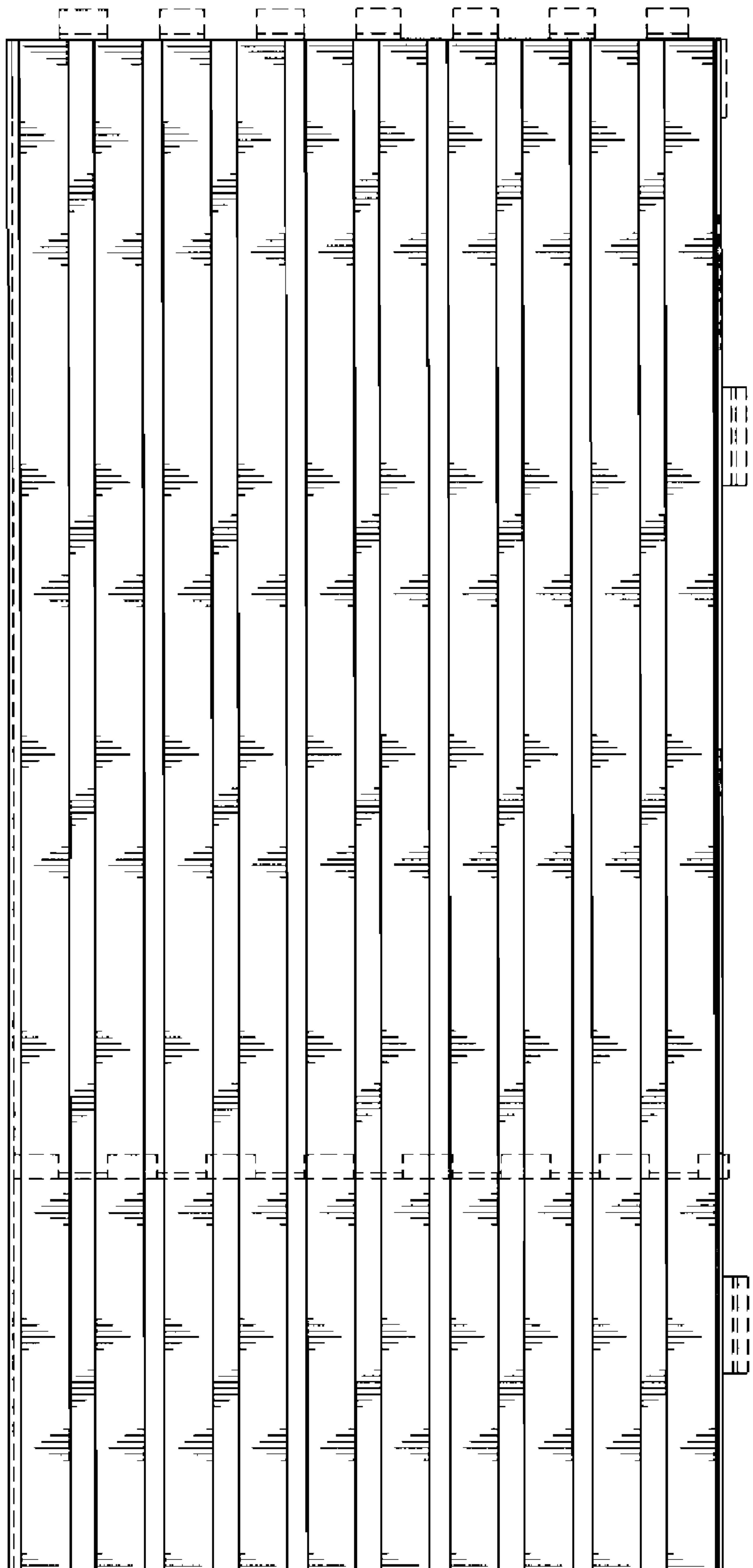


FIG. 5



**FIG. 6**



**FIG. 7**