

US00D602671S

(12) **United States Design Patent**  
**McMorris et al.**

(10) **Patent No.:** **US D602,671 S**  
(45) **Date of Patent:** **\*\* Oct. 20, 2009**

(54) **BAR FOR LIFTING HEAVY OR PANEL LIKE OBJECTS**

D340,852 S \* 11/1993 Sanders et al. .... D8/88  
6,678,909 B1 \* 1/2004 Pyatt ..... 7/158  
2001/0029715 A1 \* 10/2001 Bradley et al. .... 52/344

(76) Inventors: **Sandra McMorris**, P.O. Box 297186,  
Pembroke Pines, FL (US) 33029; **Glen McMorris**, P.O. Box 297186, Pembroke  
Pines, FL (US) 33029

\* cited by examiner

*Primary Examiner*—Philip S Hyder

(\*\*) Term: **14 Years**

(57) **CLAIM**

(21) Appl. No.: **29/279,869**

The ornamental design for bar for lifting heavy or panel like objects, as shown and described.

(22) Filed: **May 9, 2007**

**DESCRIPTION**

(51) **LOC (9) Cl.** ..... **12-05**

(52) **U.S. Cl.** ..... **D34/28**; D8/14

(58) **Field of Classification Search** ..... D8/14,  
D8/88, 89; 254/15, 17, 18, 21, 120; 7/166;  
52/344, 347; D34/28

See application file for complete search history.

FIG. 1 is a perspective view of a bar for lifting heavy or panel like objects, showing my new design;

FIG. 2 is a front elevational view of the invention;

FIG. 3 is a rear elevational view of the invention;

FIG. 4 is a left-side elevational view of the invention, the right-side elevational view being a mirror image thereof;

FIG. 5 is a top plan view of the invention; and,

FIG. 6 is a bottom plan view of the invention.

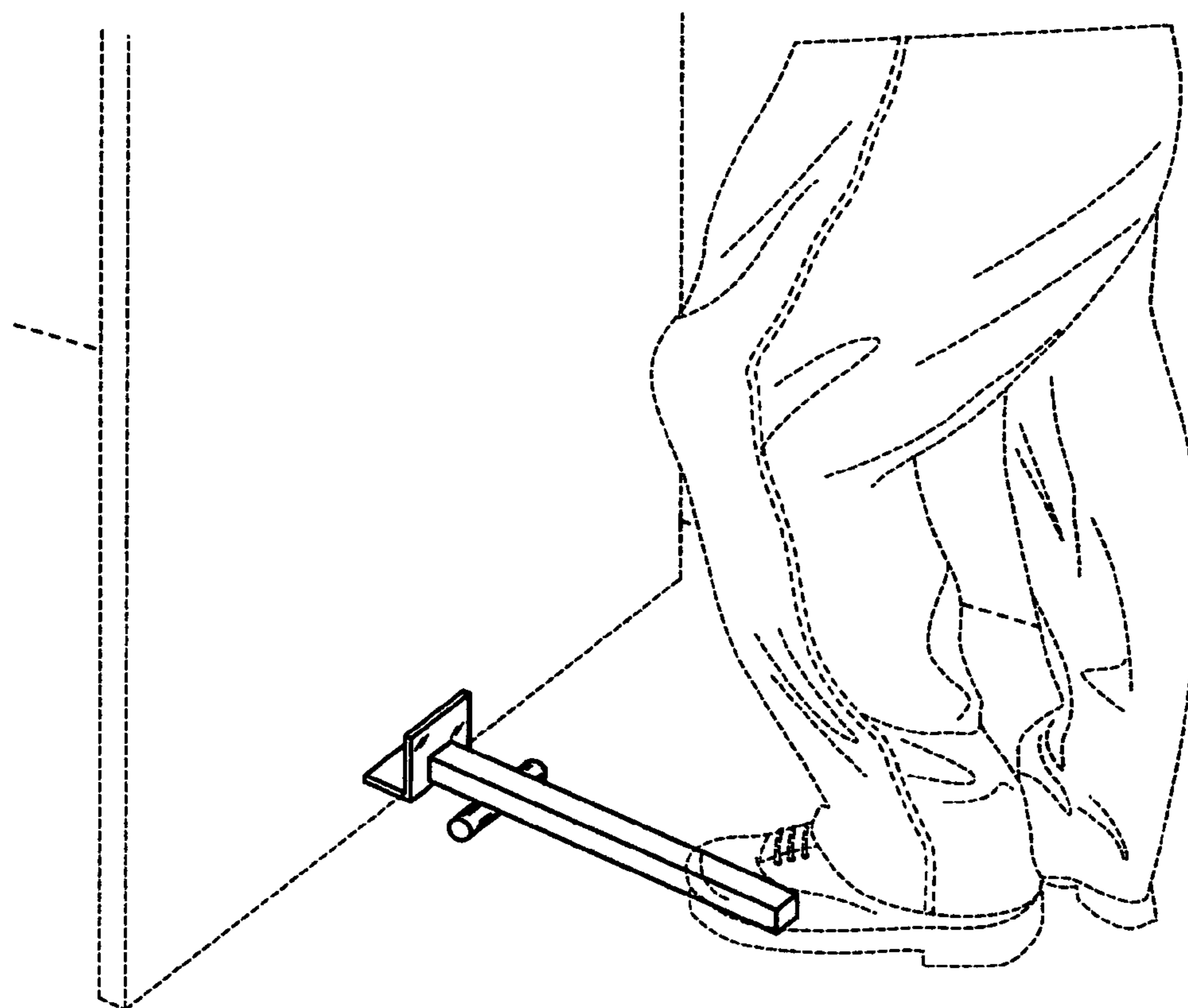
The broken lines showing a person and a door in FIGS. 1 and 2 are included for the purpose of illustrating the invention in use, and forms no part of the claimed design.

(56) **References Cited**

**U.S. PATENT DOCUMENTS**

1,570,192 A \* 1/1926 Younick ..... 254/131  
D199,019 S \* 8/1964 Marson ..... D8/89  
D226,057 S \* 1/1973 Grindlinger ..... D8/88  
D277,359 S \* 1/1985 Schiller ..... D8/89  
D300,901 S \* 5/1989 Lapelusa ..... D8/88  
D324,474 S \* 3/1992 Killins ..... D8/88

**1 Claim, 2 Drawing Sheets**



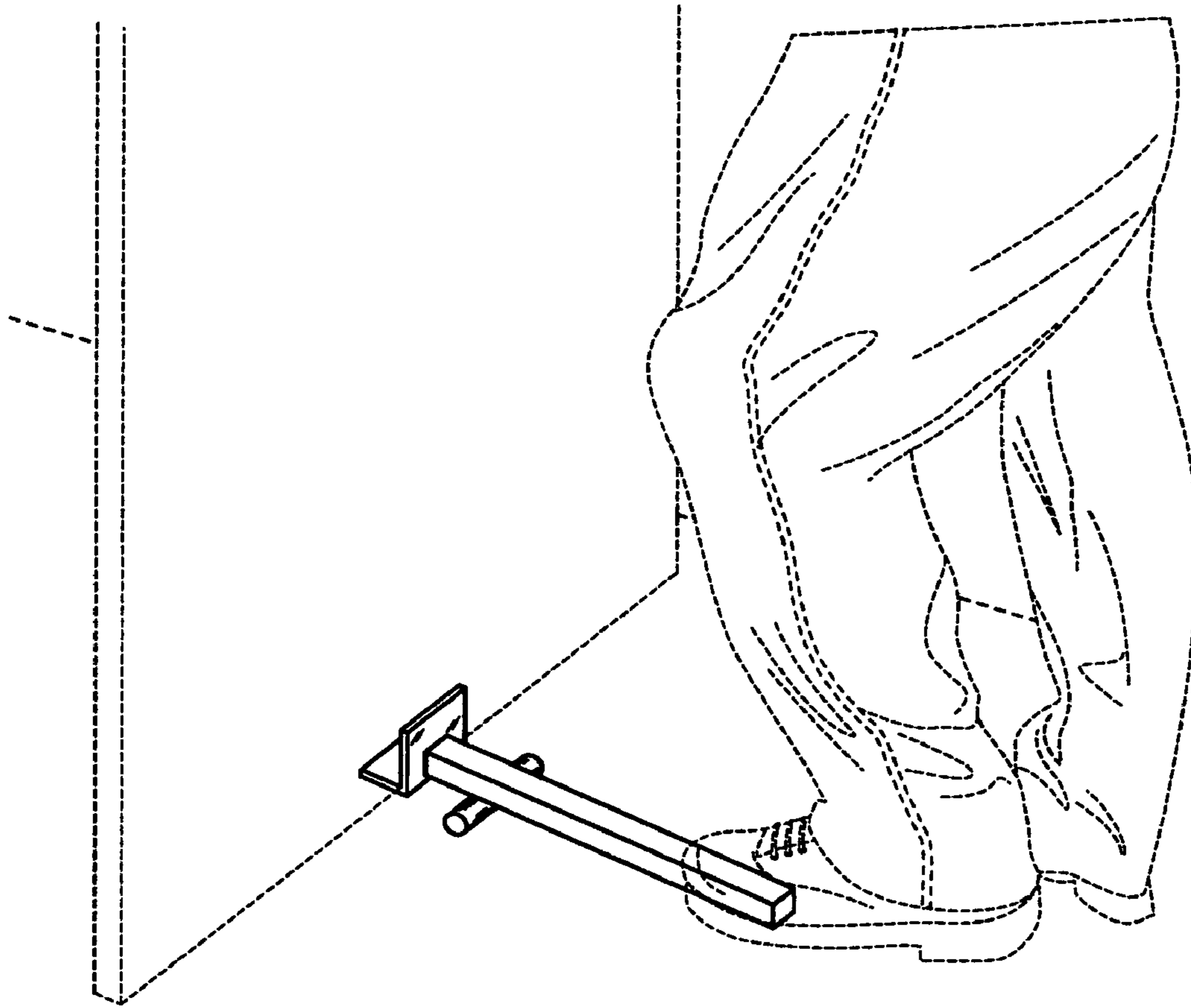


FIG. 1

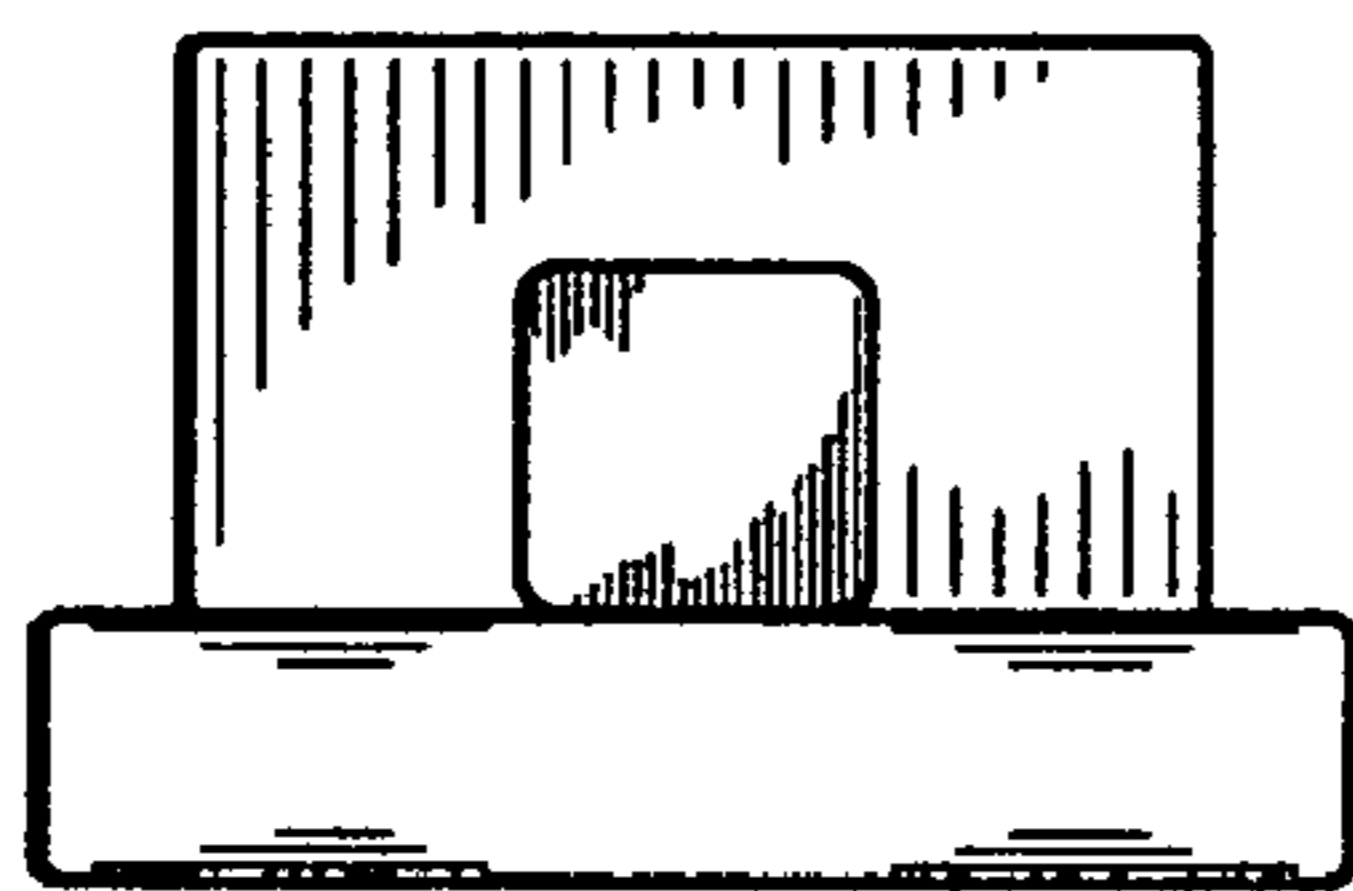


FIG. 2

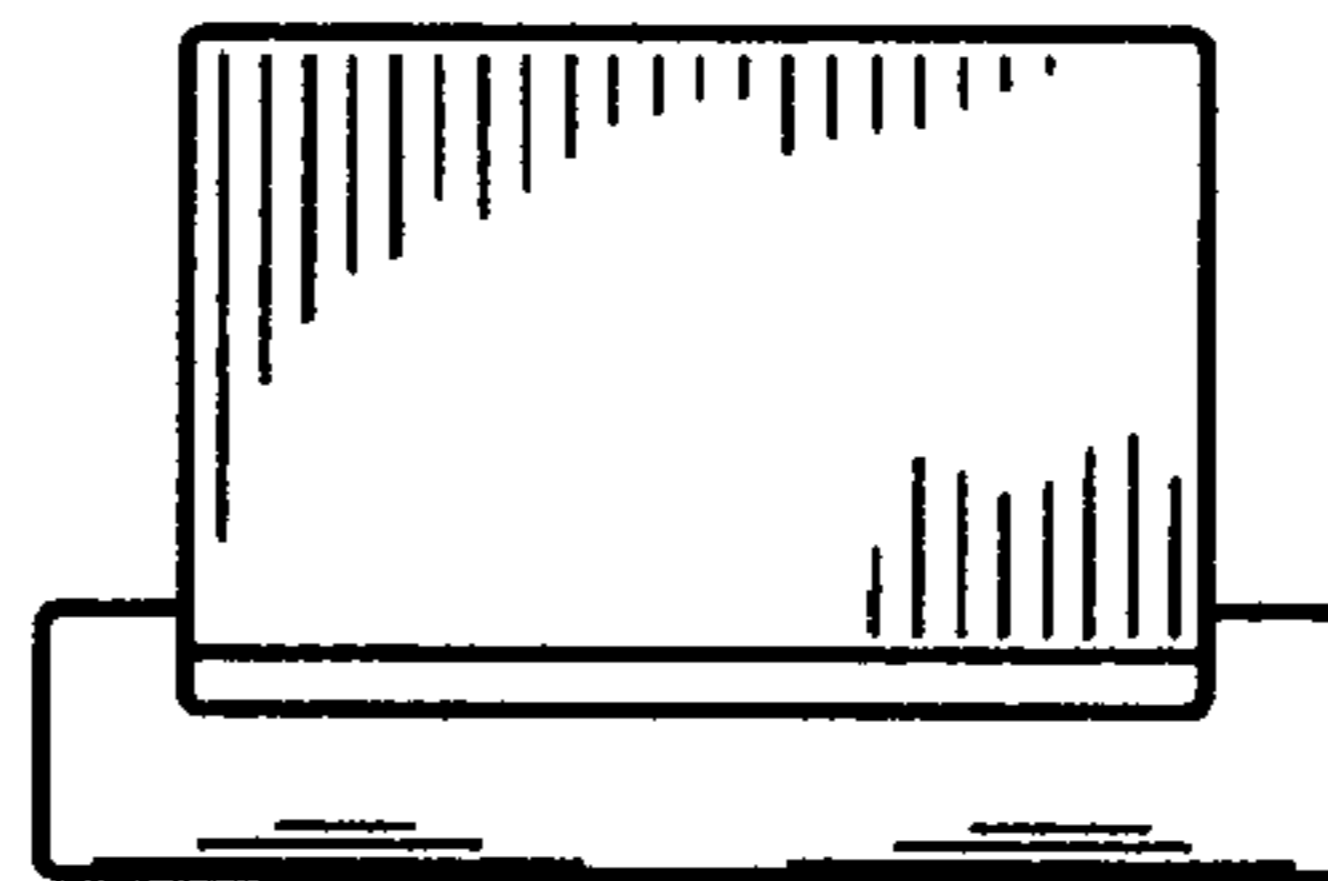


FIG. 3

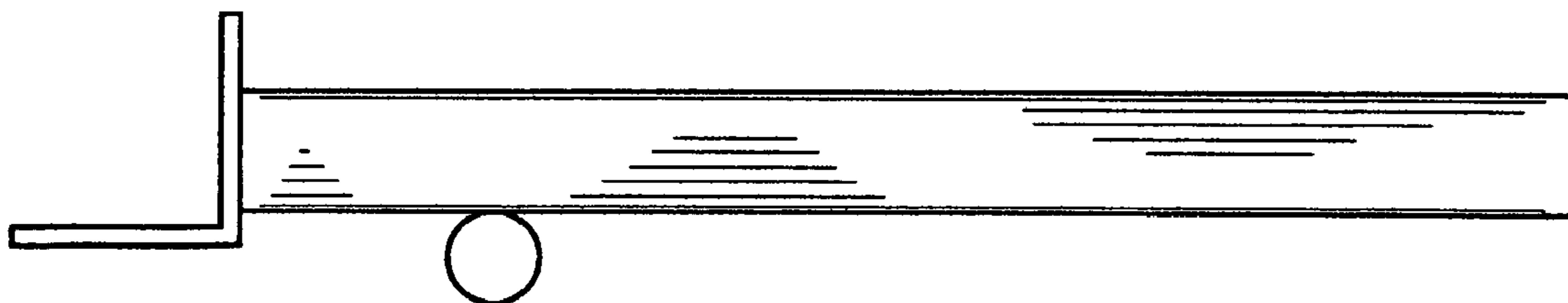


FIG. 4

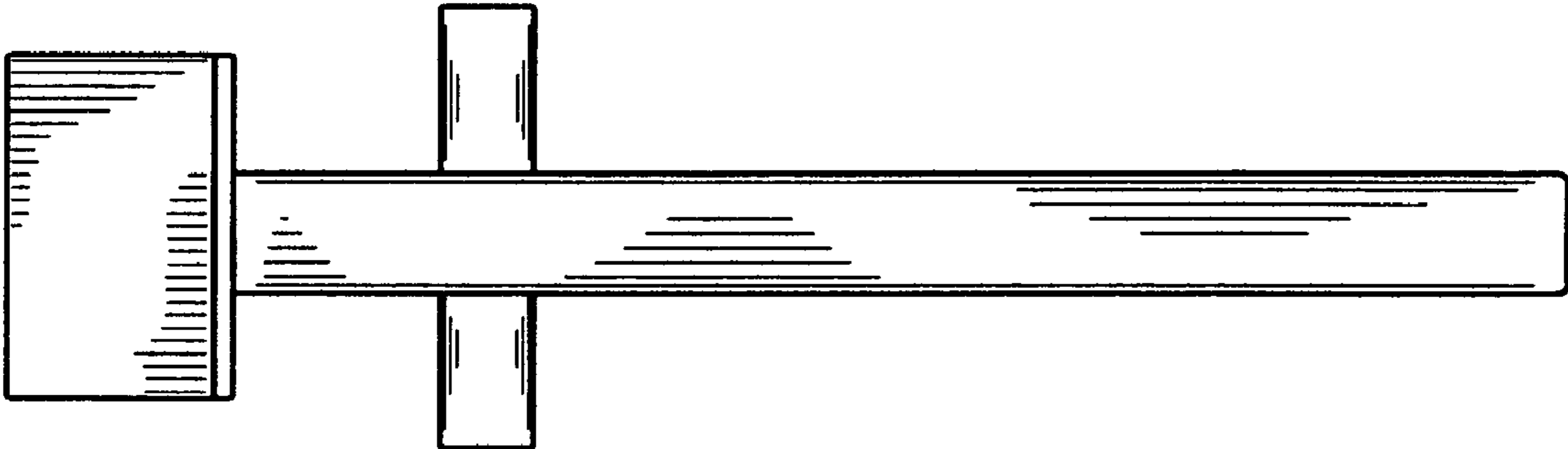


FIG. 5

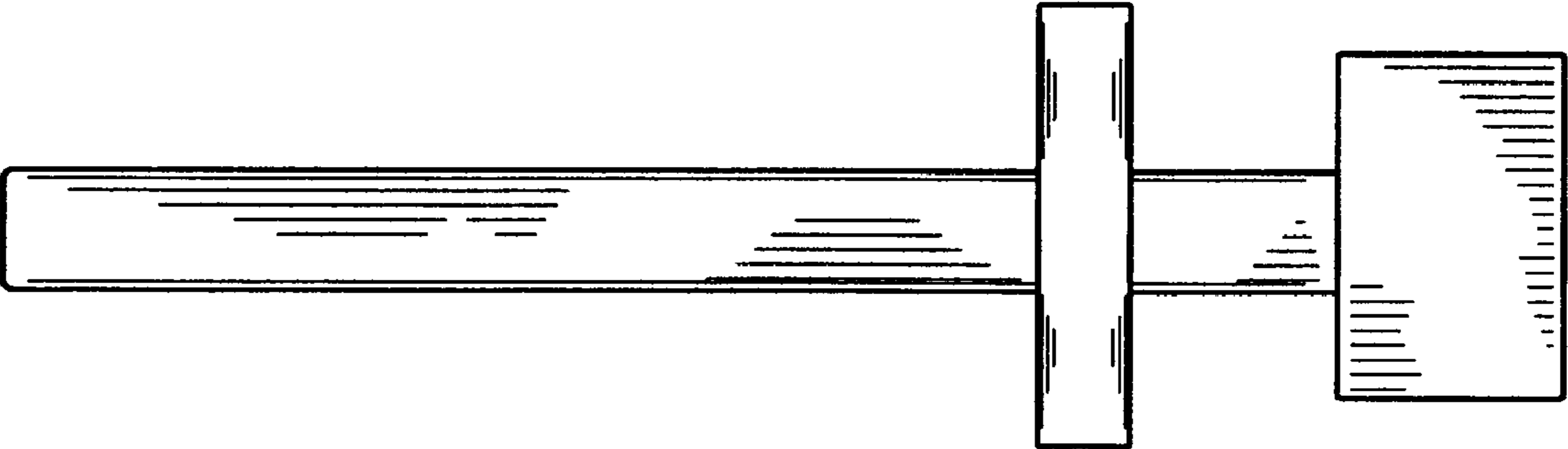


FIG. 6