



US00D602670S

(12) **United States Design Patent**
Laursen

(10) **Patent No.:** **US D602,670 S**

(45) **Date of Patent:** **** Oct. 20, 2009**

(54) **WHEEL DOLLY FOR TRANSMISSION JACKS**

D589,224 S * 3/2009 Kilpatrick D34/28

(75) Inventor: **Varney Kisendal Laursen**, Juelsminde (DK)

(73) Assignee: **Compac Hydraulik A/S**, Juelsminde (DK)

(**) Term: **14 Years**

(21) Appl. No.: **29/326,440**

(22) Filed: **Oct. 17, 2008**

(51) **LOC (9) Cl.** **12-02**

(52) **U.S. Cl.** **D34/23; D34/28**

(58) **Field of Classification Search** D34/23, D34/28, 33, 31; 280/47.29, 47.23, 47.113, 280/79.11, 47.17, 652, 47.27; 211/23, 24; 414/785, 11, 917; 254/2 R, 8 R

See application file for complete search history.

OTHER PUBLICATIONS

Northern Tool + Equipment, www.northerntool.com, Torin Mechanical Lift Door Handler Model#DH-001-X, website, Jan. 6, 2009, 2, Northern Tool + Equipment, Burnsville, Minnesota, USA.

Northern Tool + Equipment, www.northerntool.com, Wesco Hydraulic Platform Lift, website, Jan. 6, 2009, 2, Northern Tool + Equipment, Burnsville, Minnesota, USA.

Northern Tool + Equipment, www.northerntool.com, Vestil Lite Load Lift with Hydraulic (fot pump) Operation, Model# LLH-202053-FW, website, Jan. 6, 2009, 2, Northern Tool + Equipment, Burnsville, Minnesota, USA.

* cited by examiner

Primary Examiner—Cynthia E Ramirez

(74) *Attorney, Agent, or Firm*—J. Bennett Mullinax, LLC

(57) **CLAIM**

The ornamental design for a wheel dolly for transmission jacks, as shown and described.

(56) **References Cited**

U.S. PATENT DOCUMENTS

1,887,965	A *	11/1932	Stoner	254/323
2,546,509	A *	3/1951	Huff	414/428
D241,925	S *	10/1976	Adams	D34/26
D310,283	S *	8/1990	Faykosh et al.	D34/23
D354,383	S *	1/1995	Smith	D34/23
D376,240	S *	12/1996	Finnigan et al.	D34/33
D423,751	S *	4/2000	Owen	D34/33
D438,684	S *	3/2001	Hernandez	D34/33
D465,635	S *	11/2002	Hong	D34/33

DESCRIPTION

FIG. 1 is a perspective view of a wheel dolly for transmission jacks according to the present invention;

FIG. 2 is a front view thereof;

FIG. 3 is a rear view thereof;

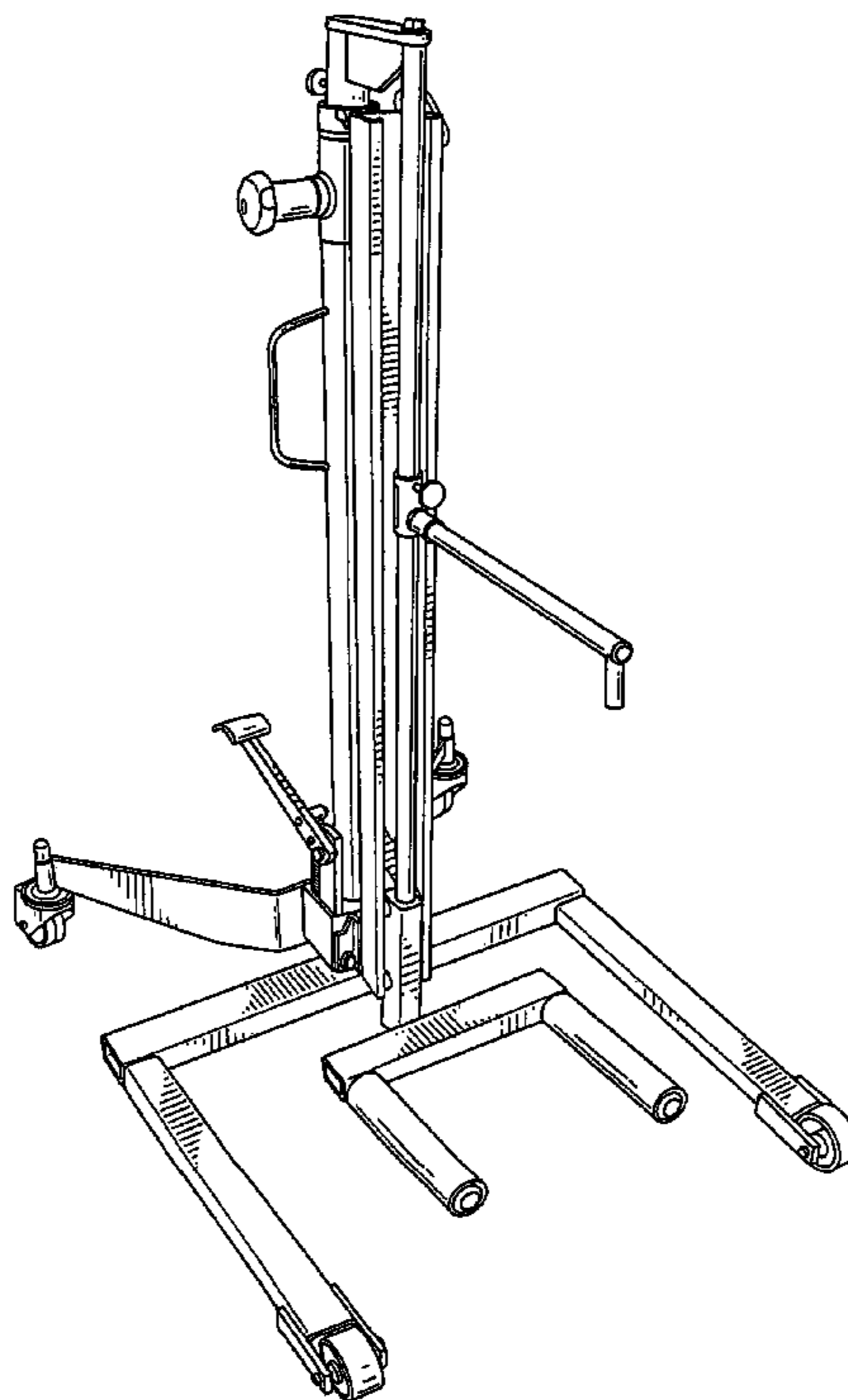
FIG. 4 is a right side view thereof;

FIG. 5 is a left side view thereof;

FIG. 6 is a top plan view thereof; and,

FIG. 7 is a bottom plan view thereof.

1 Claim, 7 Drawing Sheets



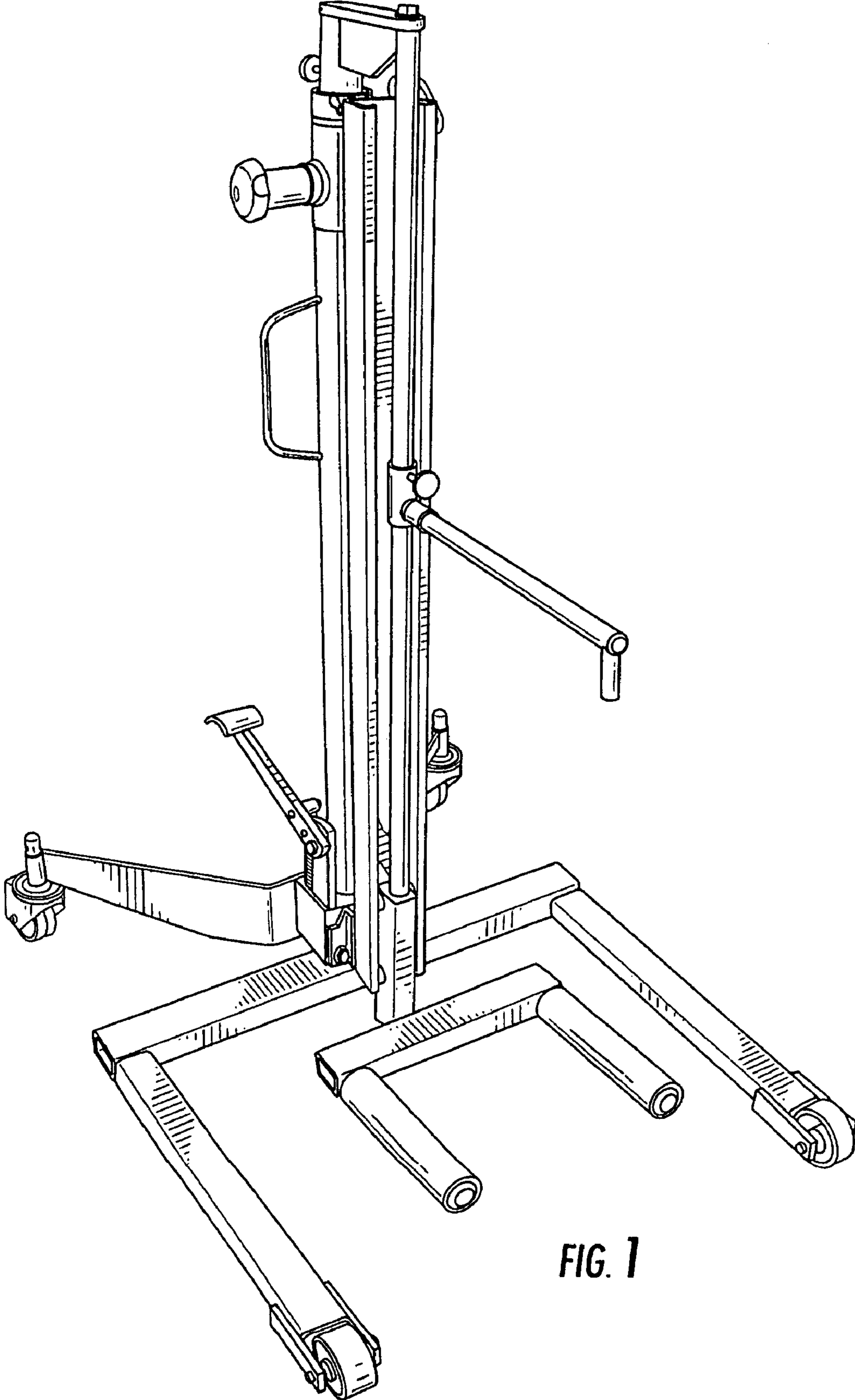


FIG. 1

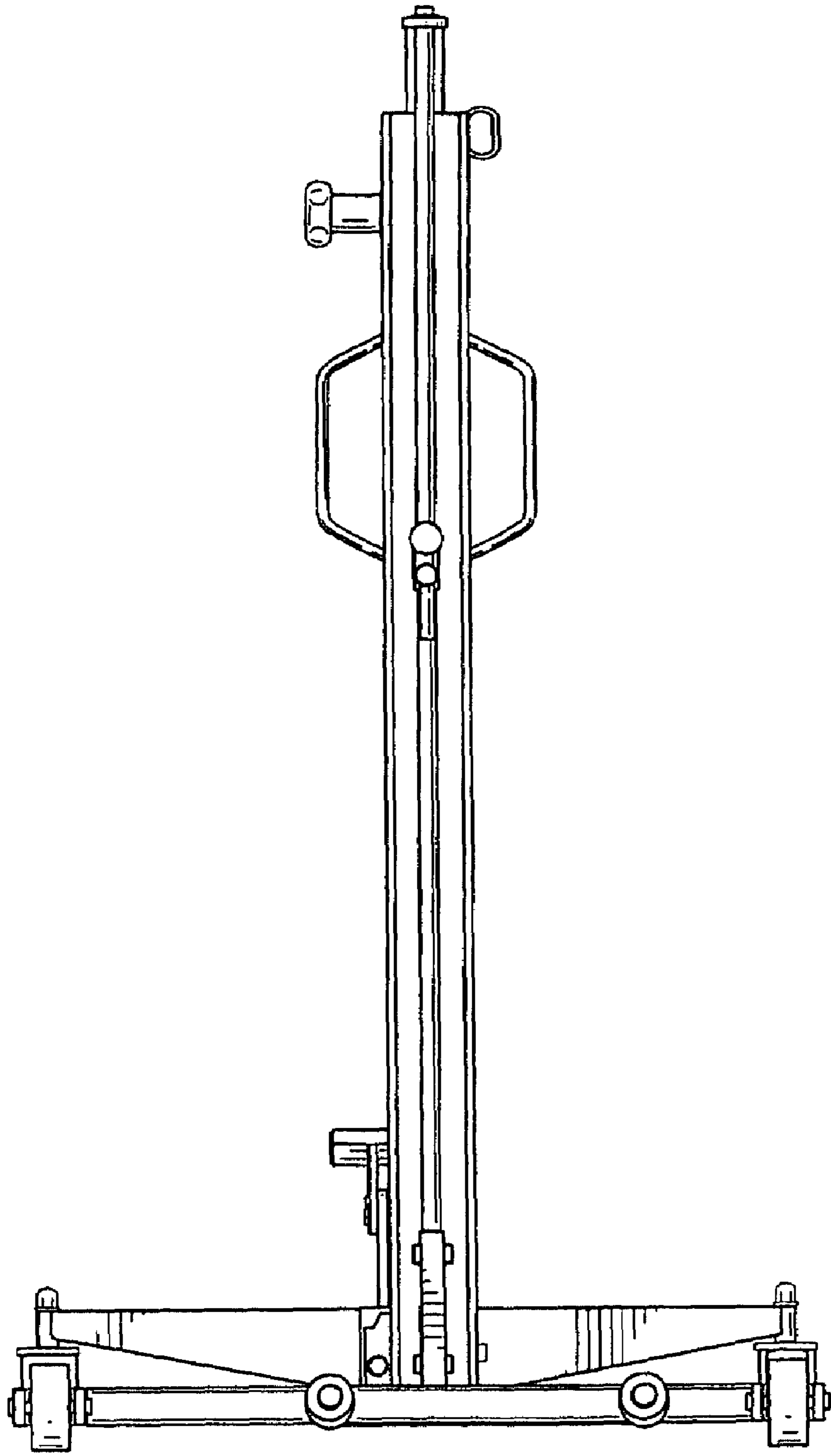


FIG. 2

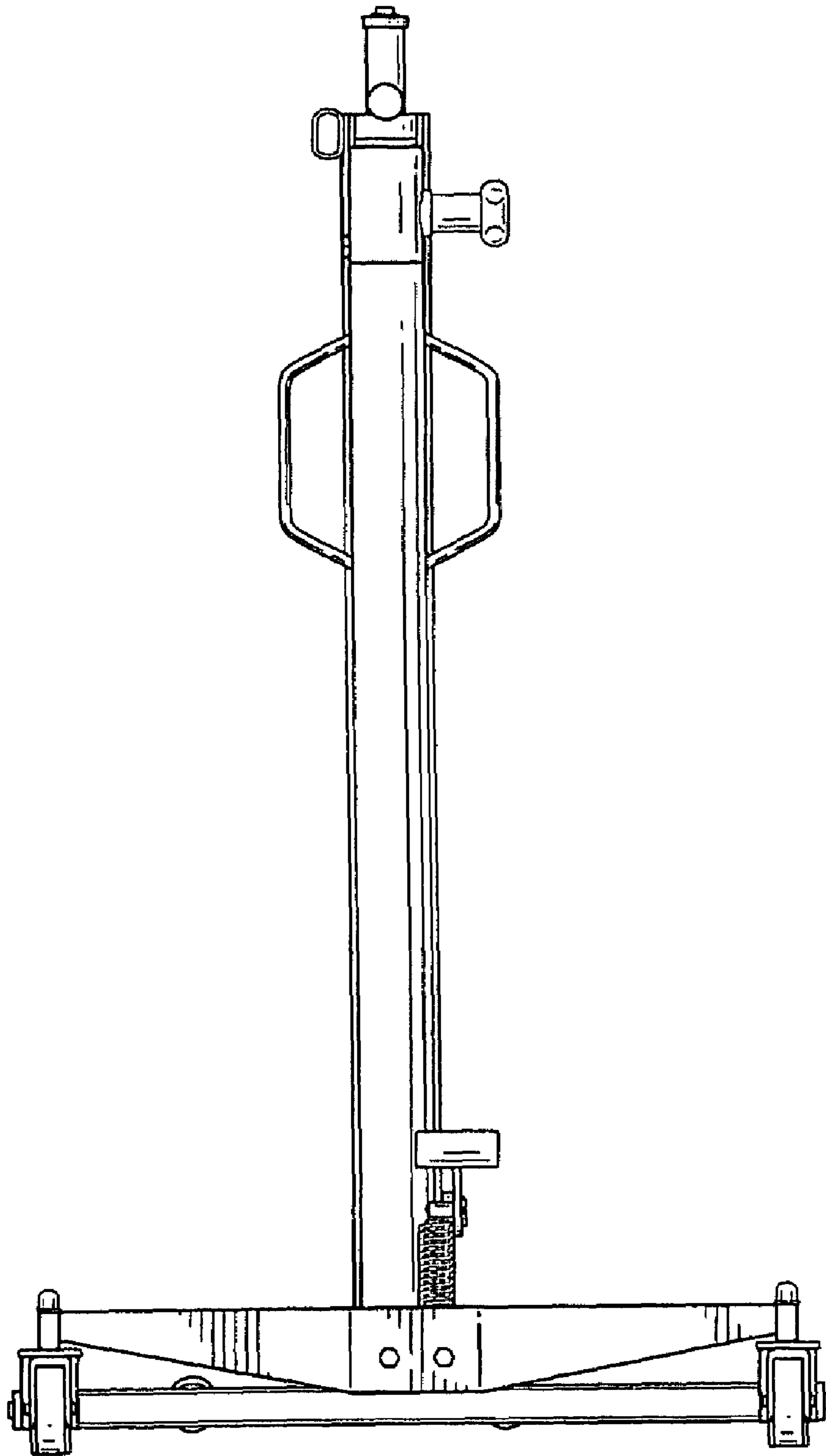


FIG. 3

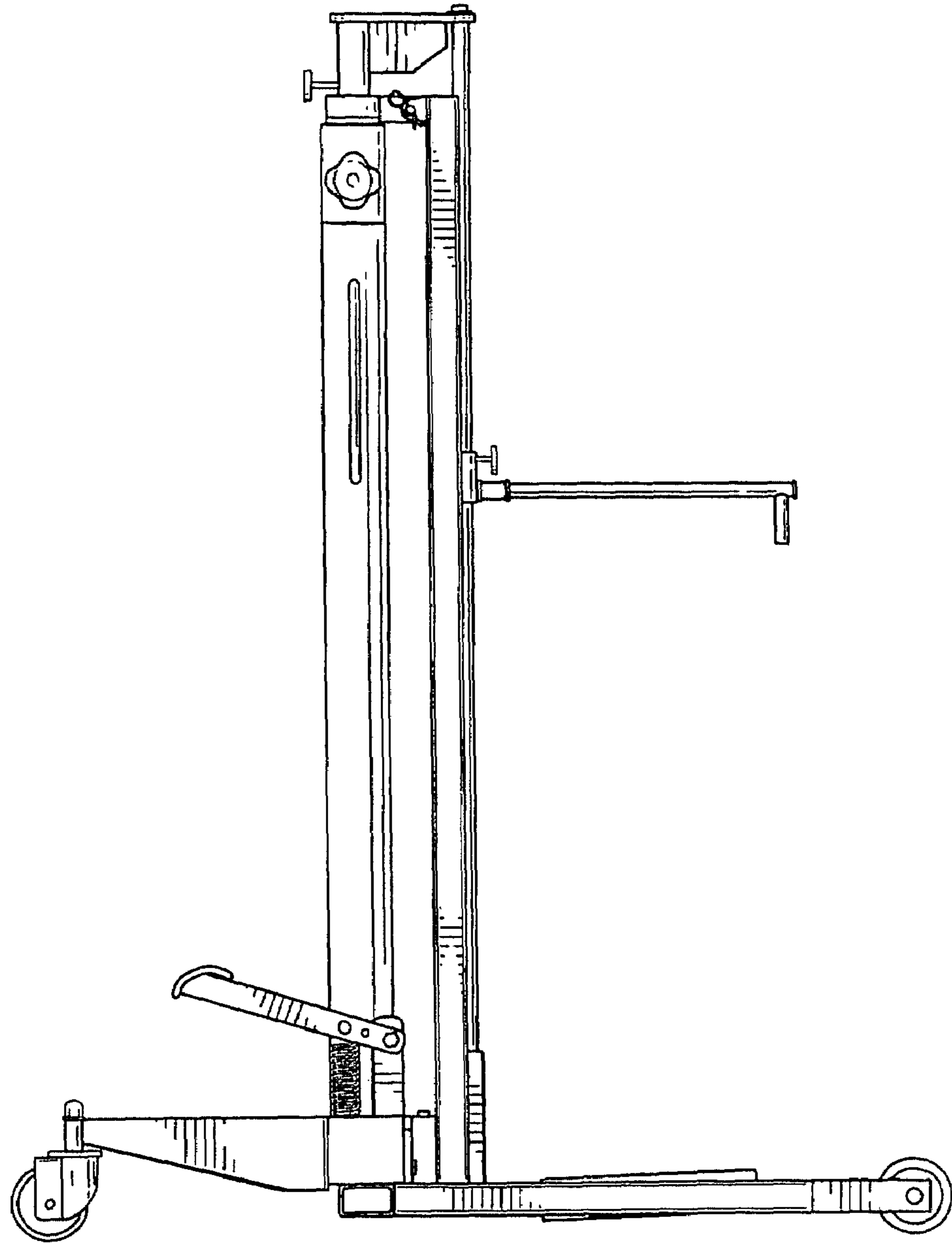


FIG. 4

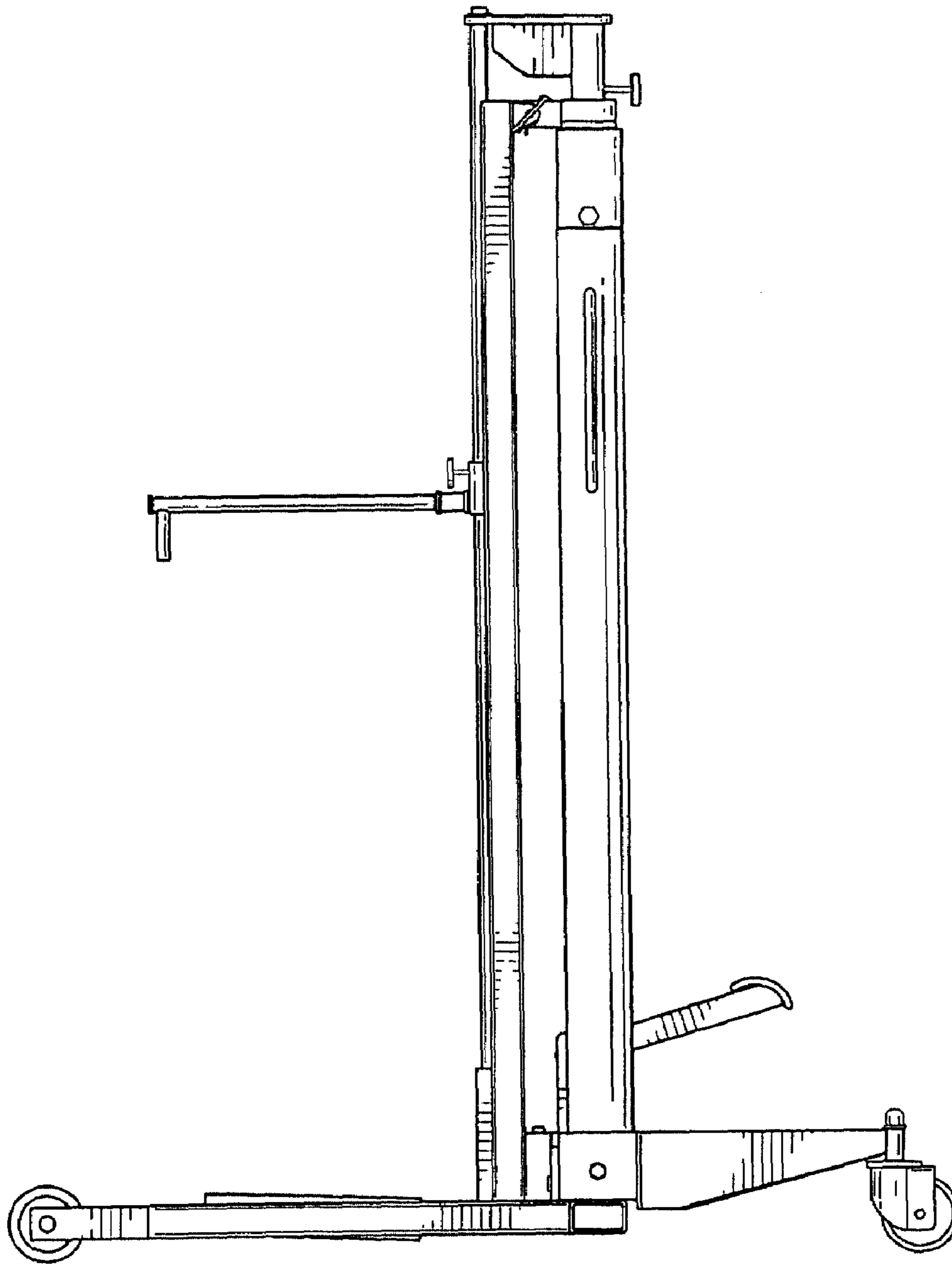


FIG. 5

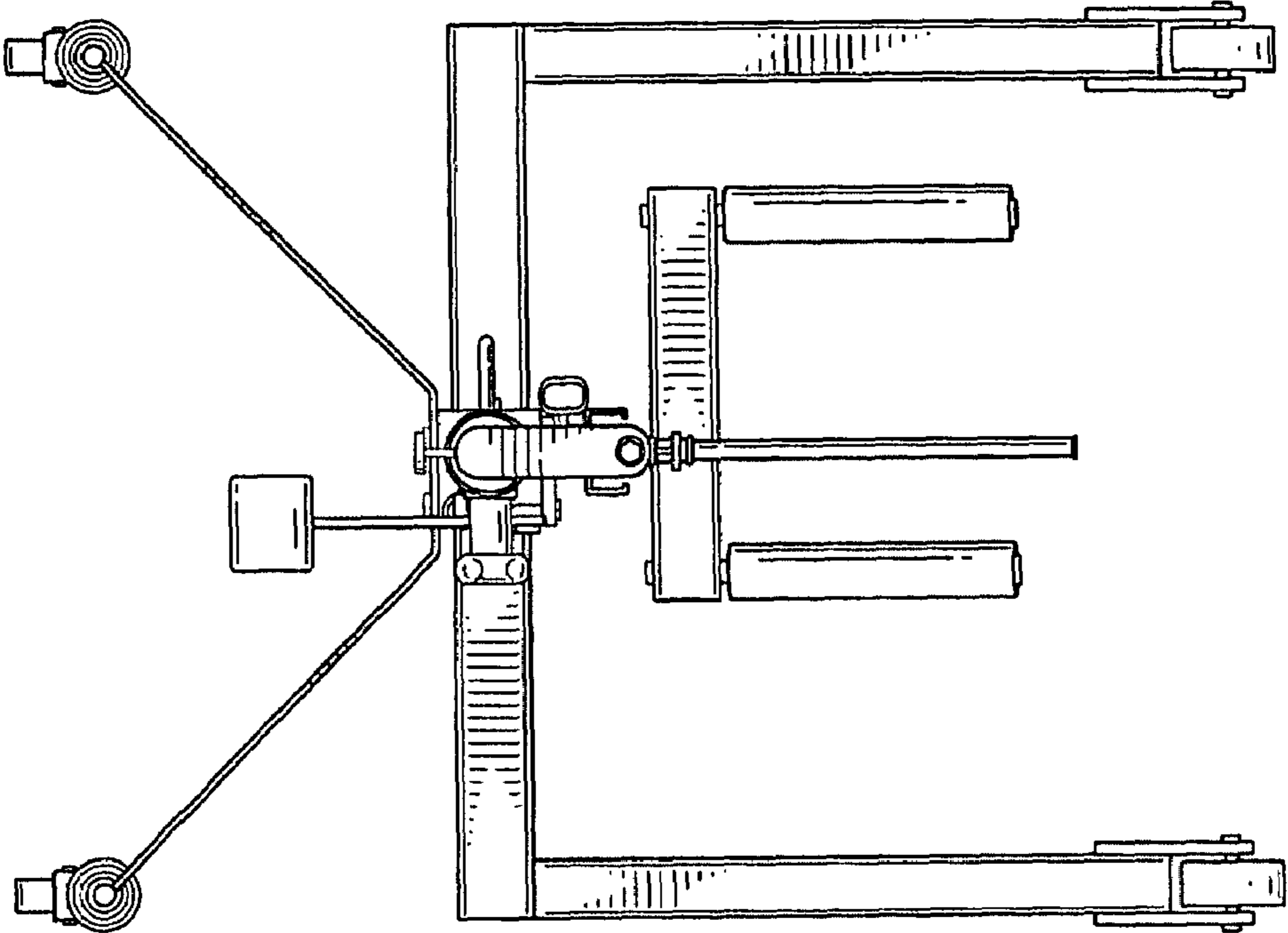


FIG. 6

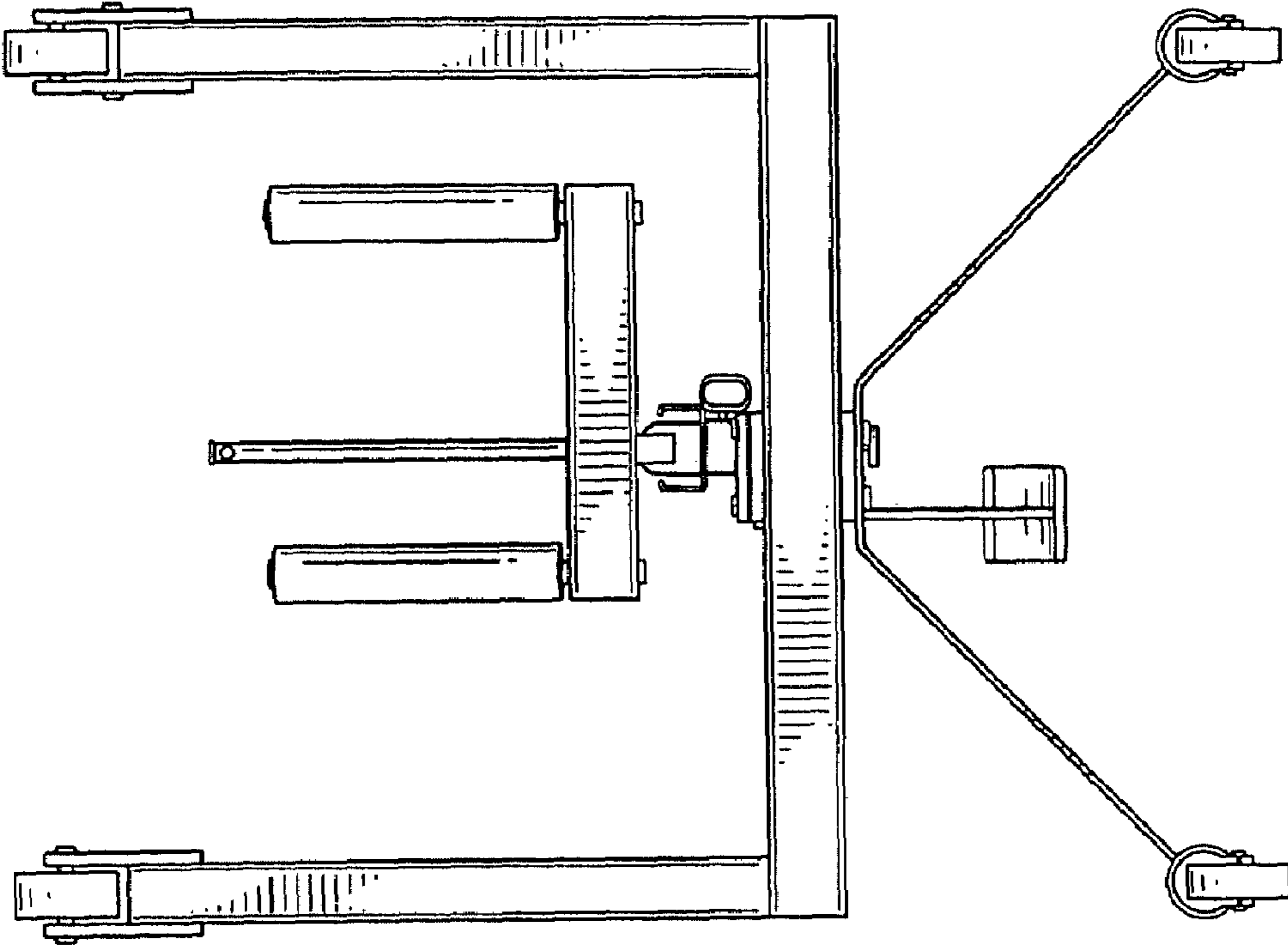


FIG. 7