



US00D602669S

(12) **United States Design Patent**
Gardner et al.

(10) **Patent No.:** **US D602,669 S**

(45) **Date of Patent:** **** Oct. 20, 2009**

(54) **RECYCLING BIN FOR PAPER**

D537,224 S * 2/2007 Chen D34/9
D562,520 S 2/2008 Gardner et al.
D571,970 S 6/2008 Gardner et al.

(75) Inventors: **Scott R. Gardner**, Rockaway Township,
NJ (US); **Joseph Gerardiello**, Sparta, NJ
(US)

* cited by examiner

(73) Assignee: **Intercycle LLC**, Wayne, NJ (US)

Primary Examiner—Cynthia E Ramirez

(74) *Attorney, Agent, or Firm*—Richard M. Goldberg

(**) Term: **14 Years**

(57) **CLAIM**

(21) Appl. No.: **29/326,104**

The ornamental design for a recycling bin for paper, as shown
and described.

(22) Filed: **Oct. 11, 2008**

(51) **LOC (9) Cl.** **09-09**

(52) **U.S. Cl.** **D34/7**

(58) **Field of Classification Search** D34/1-11;
220/908-911, 262, 263, 264
See application file for complete search history.

DESCRIPTION

FIG. 1 is a perspective view of the recycling bin for paper of
our design, viewed from the top and front, in a closed con-
figuration;

FIG. 2 is a front elevational view thereof;

FIG. 3 is a rear elevational view thereof;

FIG. 4 is a right side elevational view thereof;

FIG. 5 is a left side elevational view thereof;

FIG. 6 is a top plan view thereof;

FIG. 7 is a bottom plan view thereof; and,

FIG. 8 is a perspective view thereof, viewed from the top and
front, in an open configuration.

The broken lines in FIG. 7 are included for the purpose of
illustrating a portion of the bottom that forms no part of the
claimed design.

(56) **References Cited**

U.S. PATENT DOCUMENTS

- D221,969 S * 9/1971 Norquest D11/130.1
- D251,458 S * 4/1979 Mertes D2/898
- D289,458 S * 4/1987 Zakrajsek D34/7
- D309,810 S * 8/1990 Moore D34/9
- 5,022,553 A * 6/1991 Pontius 206/205
- D328,168 S * 7/1992 Bartle D34/7
- D333,898 S * 3/1993 Schulze et al. D34/7
- D334,805 S * 4/1993 Ivey D24/131
- D335,562 S * 5/1993 Evans D34/7
- D340,333 S * 10/1993 Duran et al. D34/7
- D389,630 S * 1/1998 Meade, Jr. D34/1

1 Claim, 8 Drawing Sheets

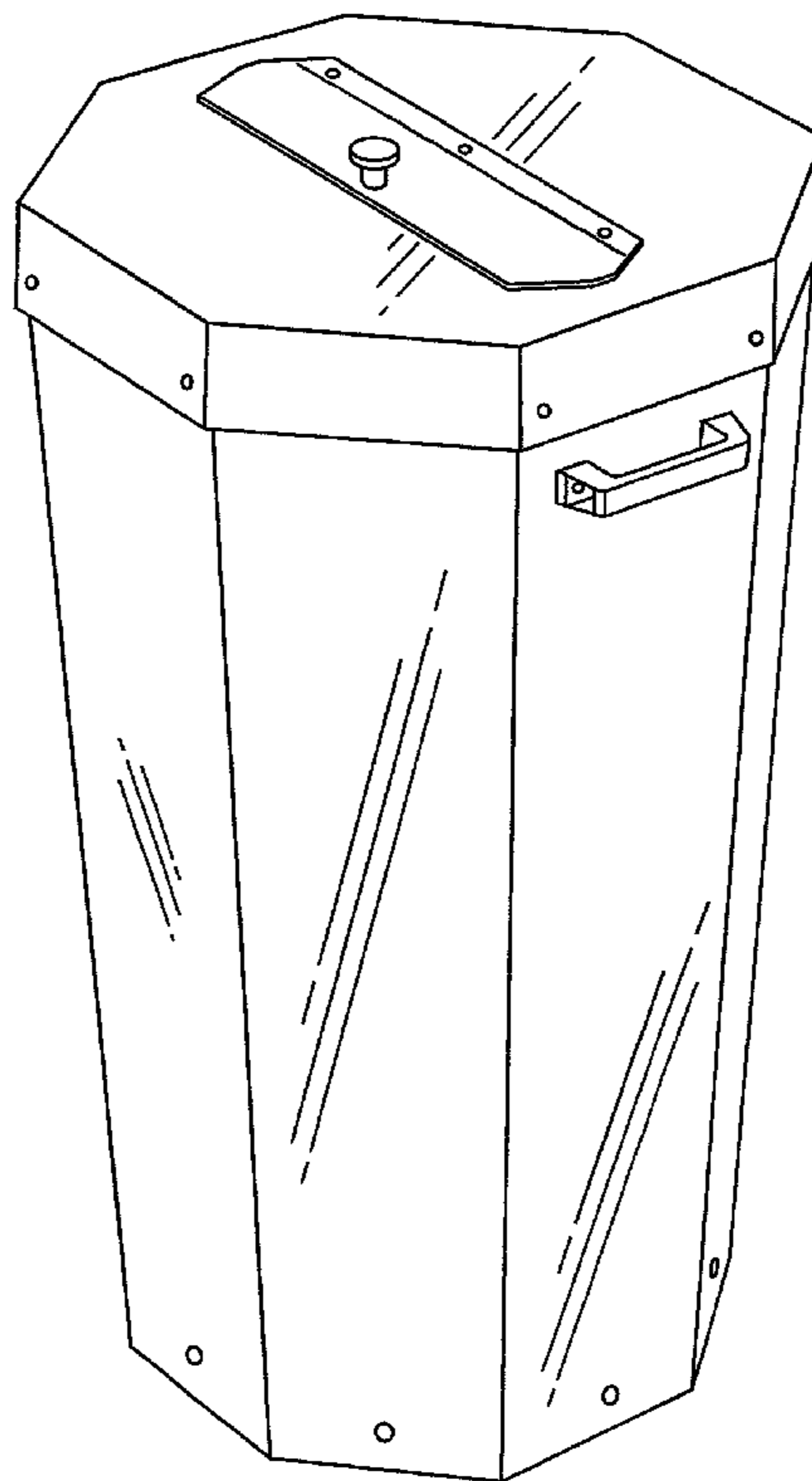


FIG. 1

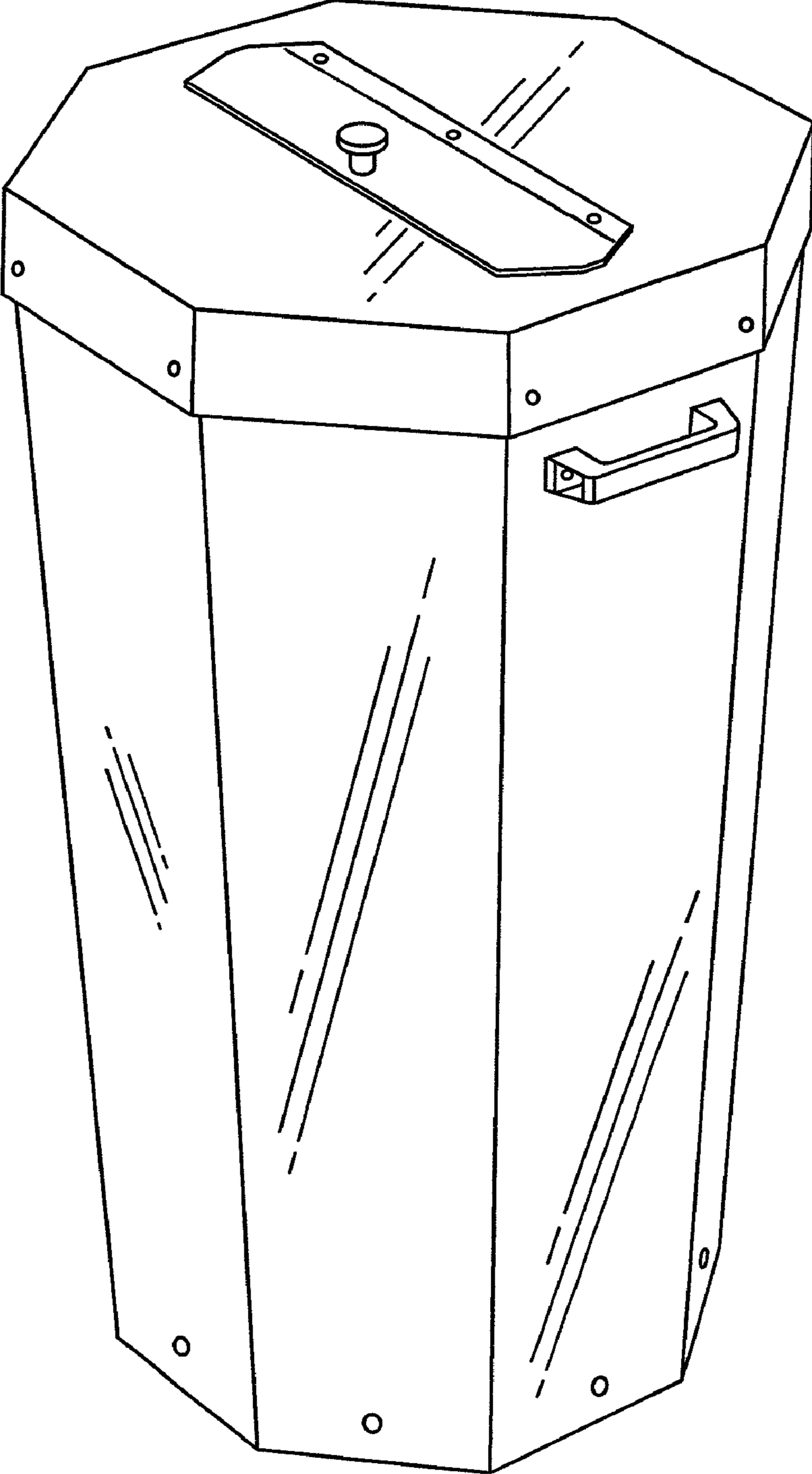


FIG. 2

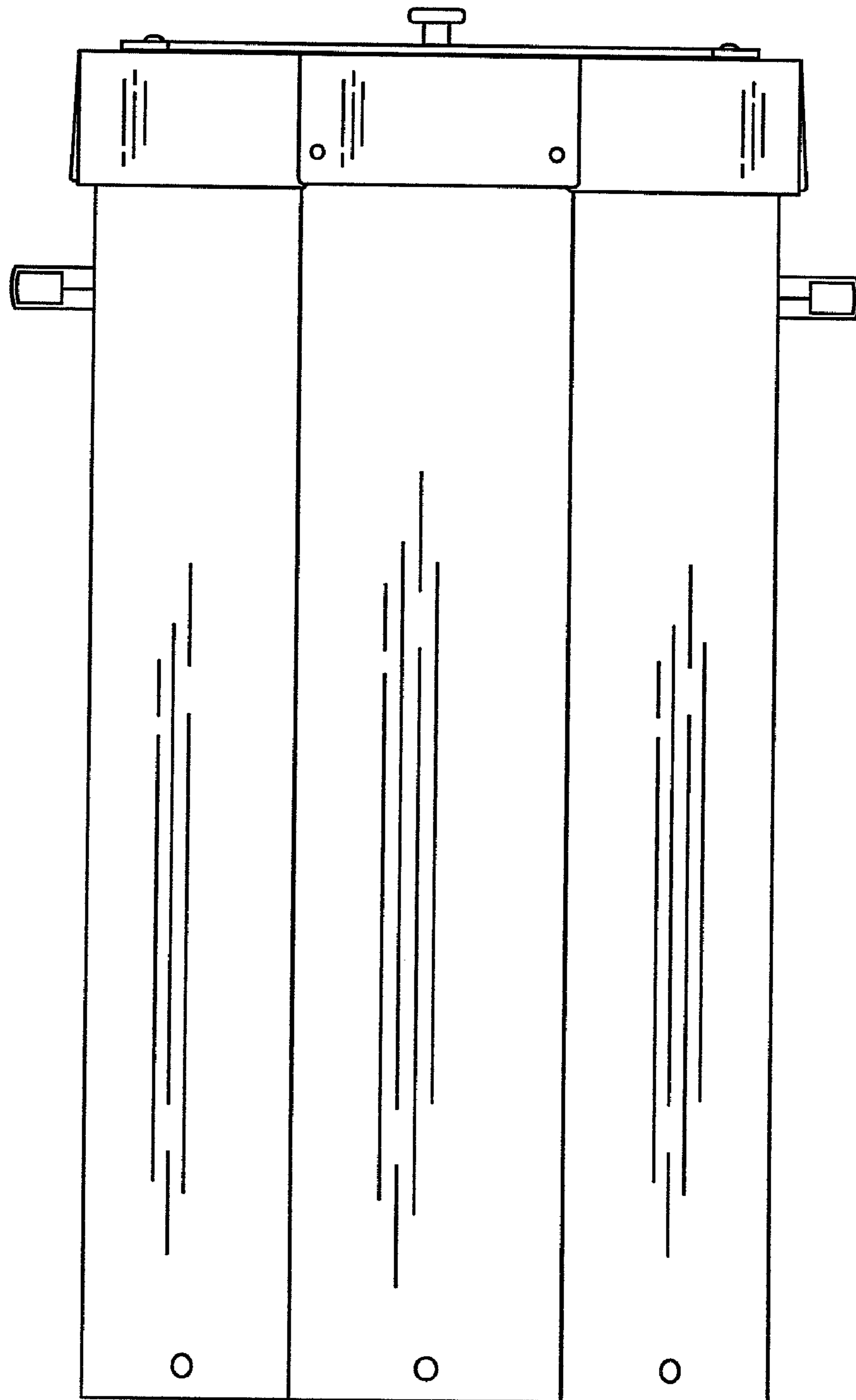


FIG. 3

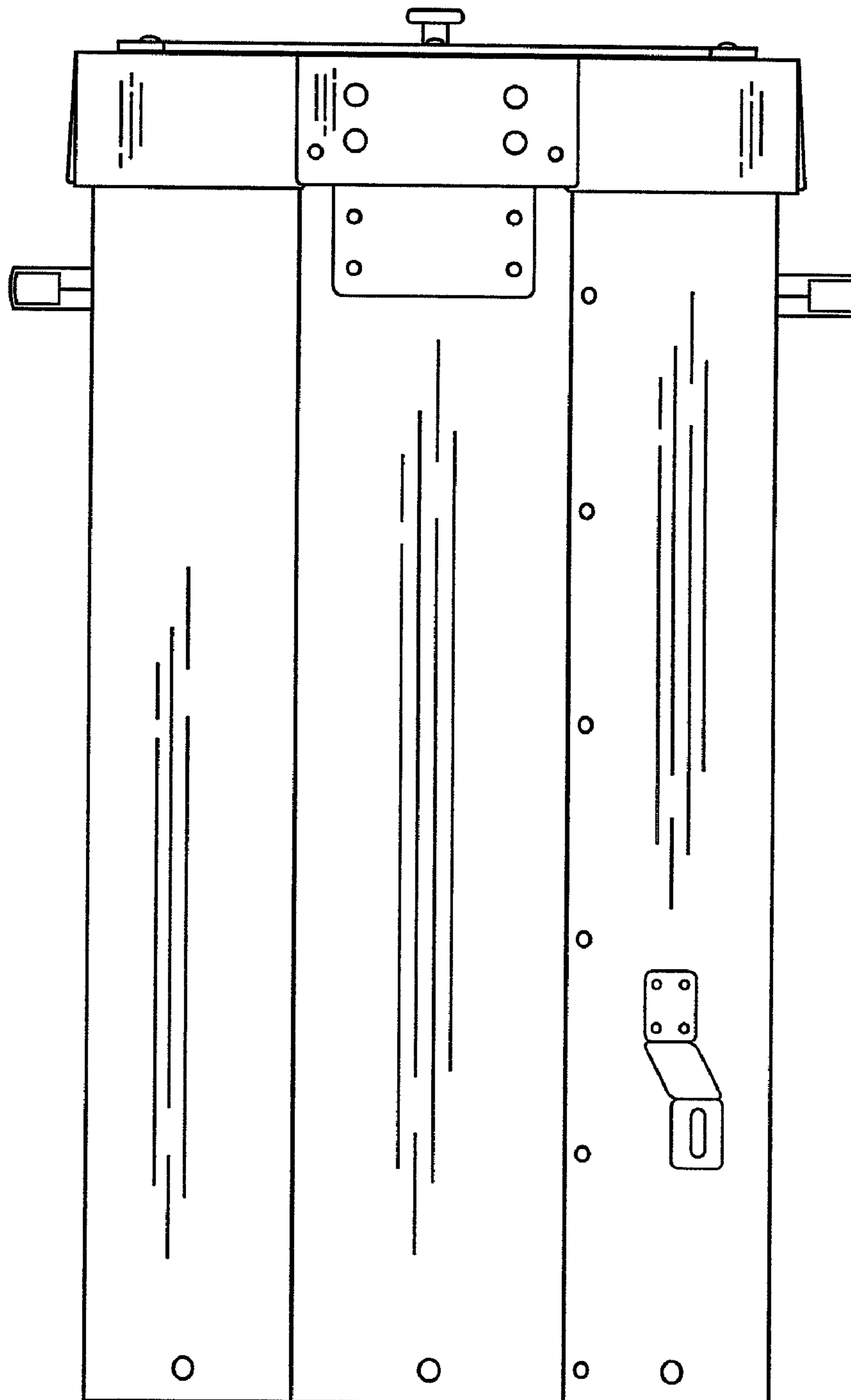


FIG. 4

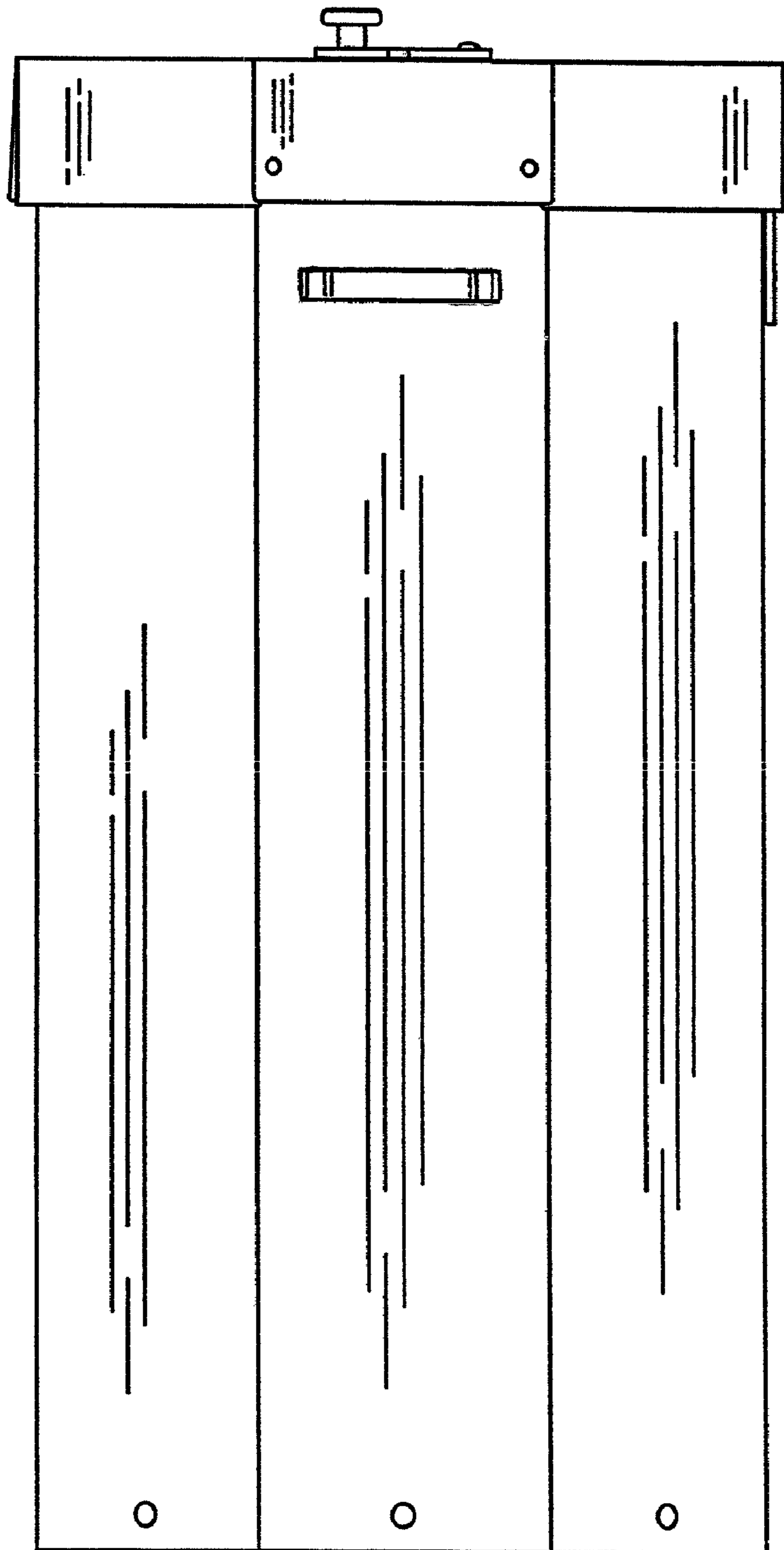


FIG. 5

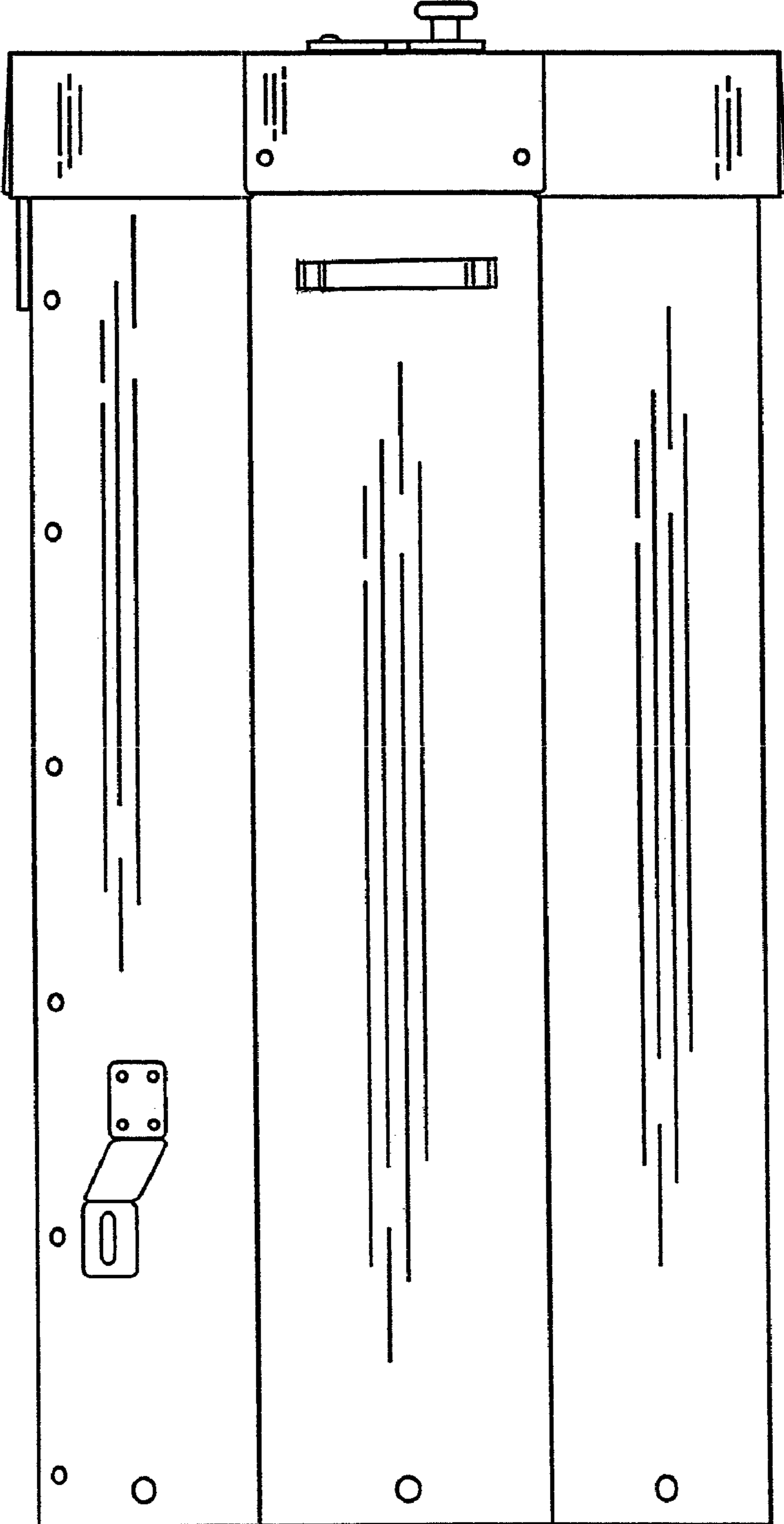


FIG. 6

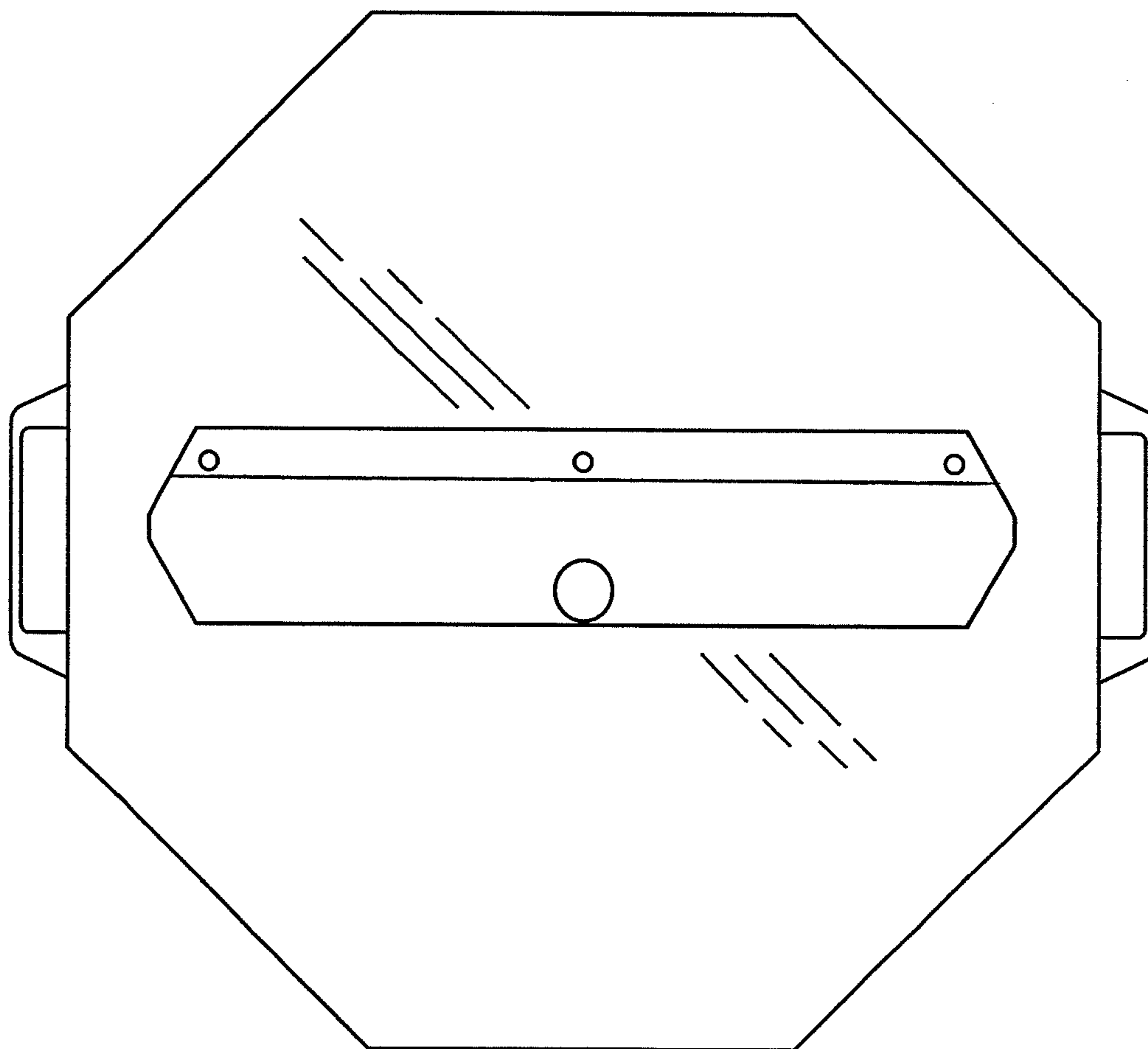


FIG. 7

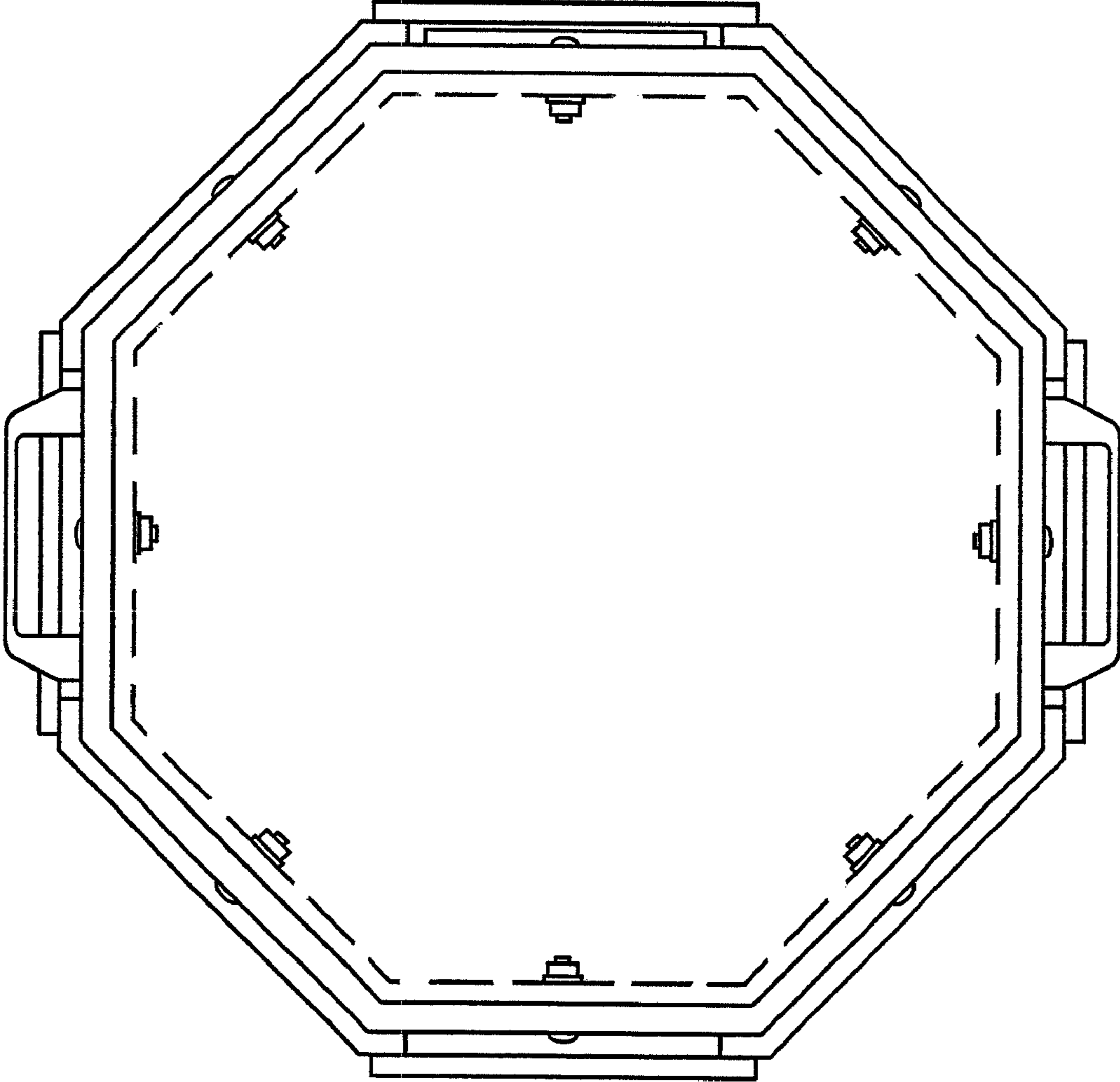


FIG. 8

