



US00D602667S

(12) **United States Design Patent**
Barbieri

(10) **Patent No.:** **US D602,667 S**
(45) **Date of Patent:** **** Oct. 20, 2009**

(54) **LITTER RECEPTACLE**

(76) Inventor: **Raul Barbieri**, Via Pietro Custodi, 14,
Milano (IT) 20136

(**) Term: **14 Years**

(21) Appl. No.: **29/323,250**

(22) Filed: **Aug. 21, 2008**

(51) **LOC (9) Cl.** **09-09**

(52) **U.S. Cl.** **D34/1**

(58) **Field of Classification Search** D34/1-11;
220/908, 908.1, 909, 910, 911; D19/77,
D19/81

See application file for complete search history.

(56) **References Cited**

U.S. PATENT DOCUMENTS

- 5,111,951 A * 5/1992 Breen et al. 220/23.4
- D333,369 S * 2/1993 Breen et al. D34/10
- D336,701 S * 6/1993 Waterston D34/1
- D554,319 S * 10/2007 Chen D34/1

D554,320 S * 10/2007 Williams D34/1

* cited by examiner

Primary Examiner—Cynthia E Ramirez

(74) *Attorney, Agent, or Firm*—Cozen O'Connor

(57) **CLAIM**

The ornamental design for a litter receptacle, as shown and described.

DESCRIPTION

FIG. 1 illustrates a right perspective view of a litter receptacle of the present invention;

FIG. 2 illustrates a top plan view of the invention;

FIG. 3 illustrates a right side elevational view of the invention;

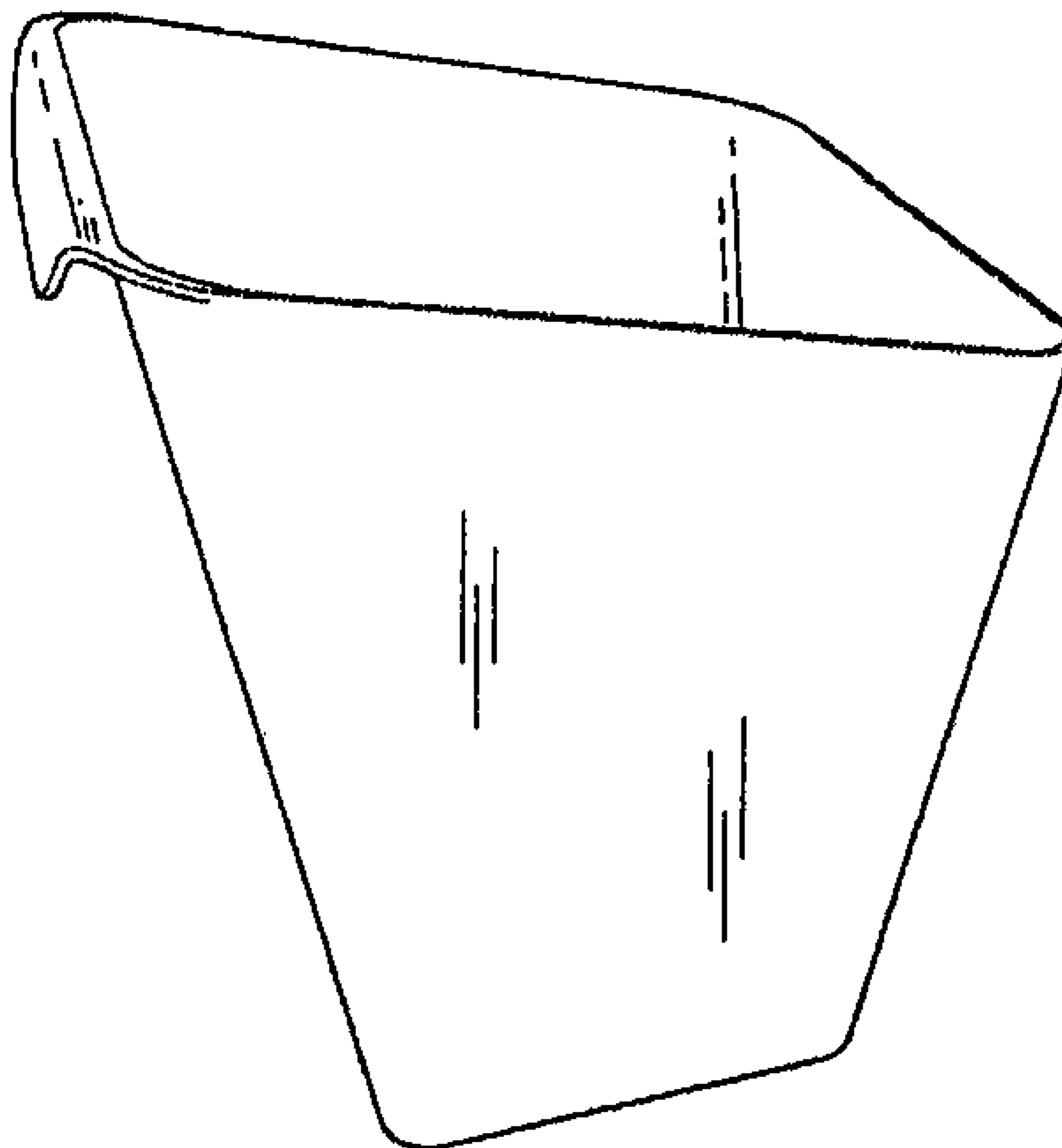
FIG. 4 illustrates a left side elevational view of the invention;

FIG. 5 illustrates a front elevational view of the invention;

FIG. 6 illustrates a rear elevational view of the invention; and,

FIG. 7 illustrates a bottom plan view of the invention.

1 Claim, 2 Drawing Sheets



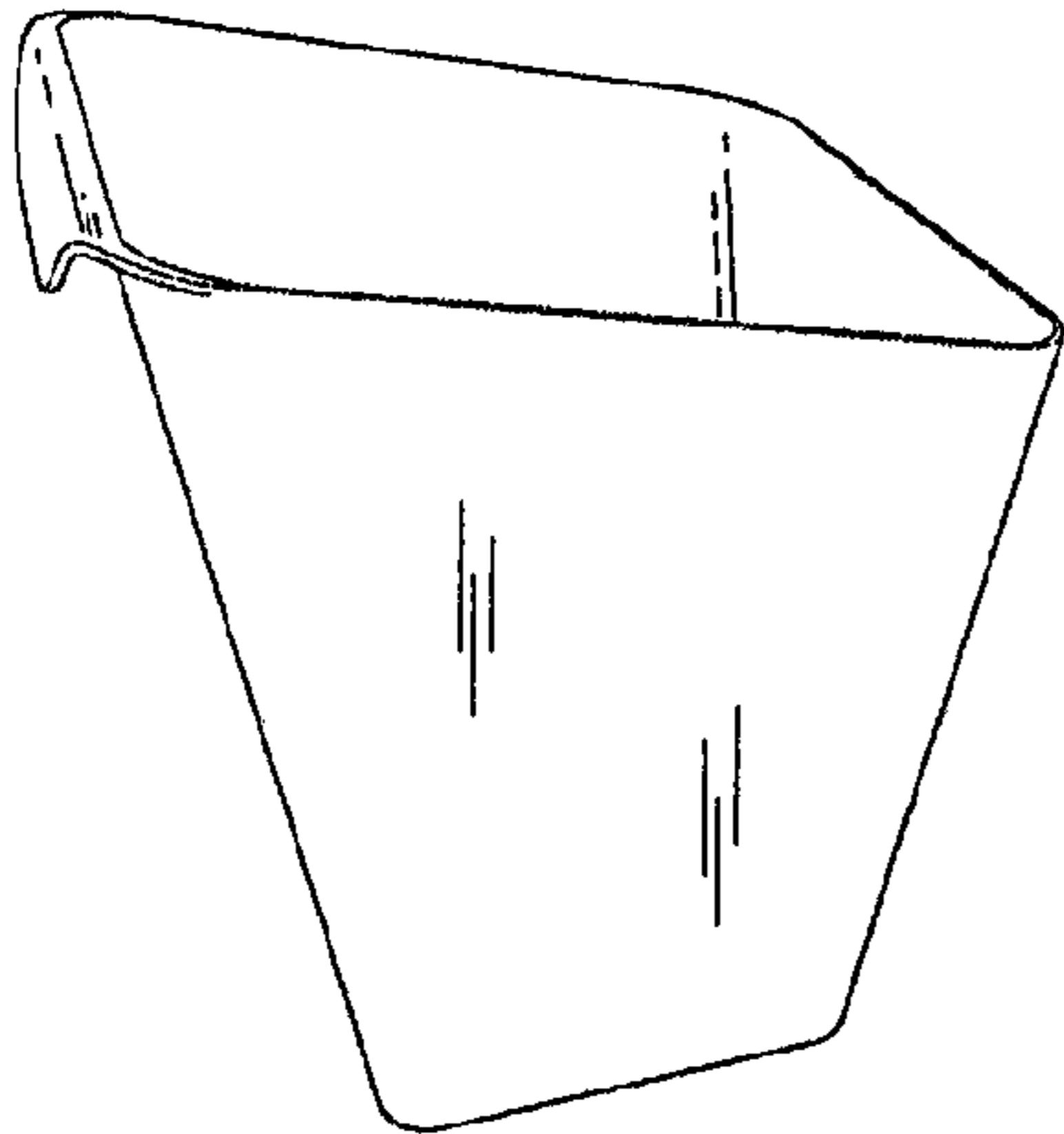


Fig. 1

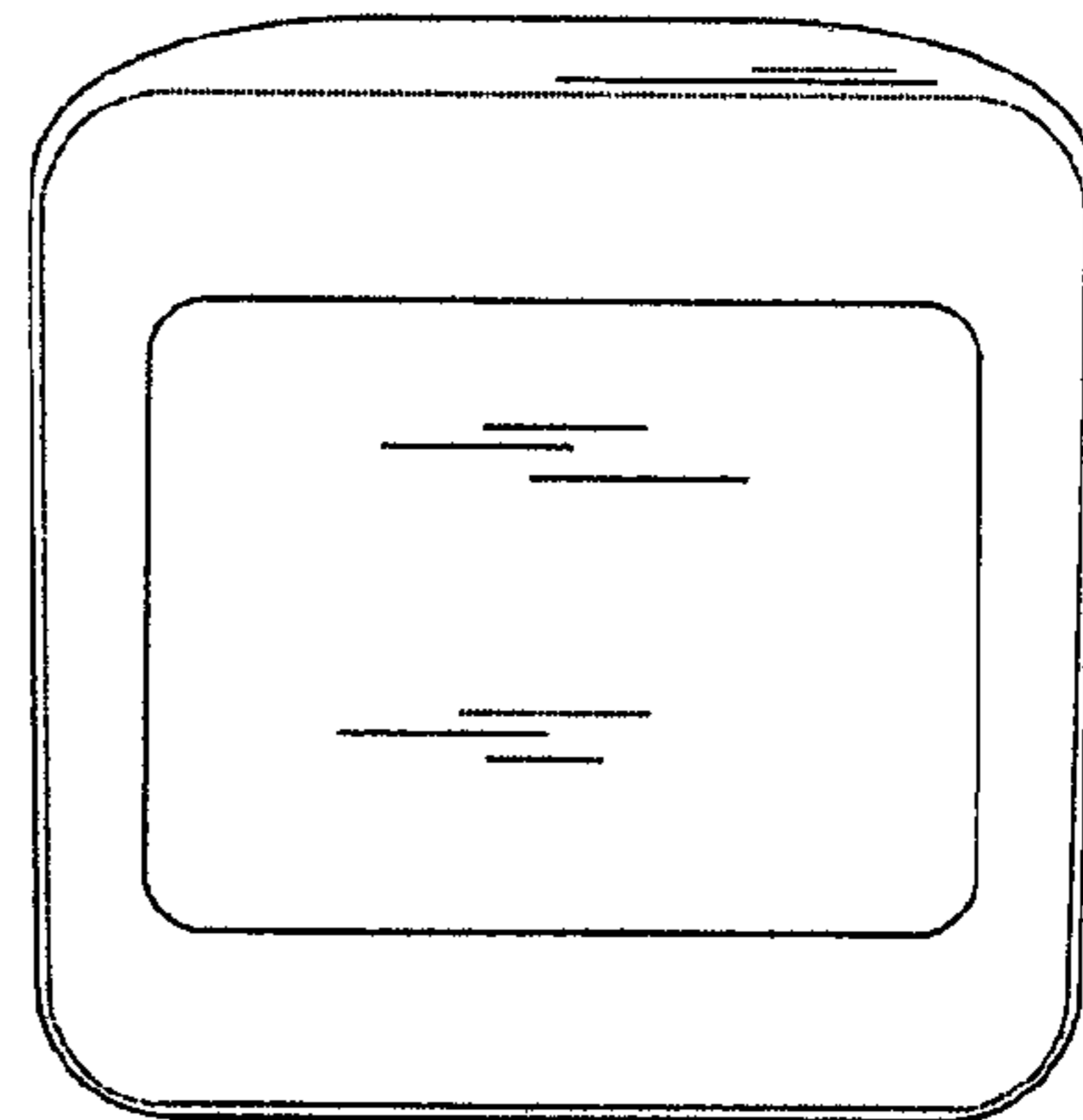


Fig. 2

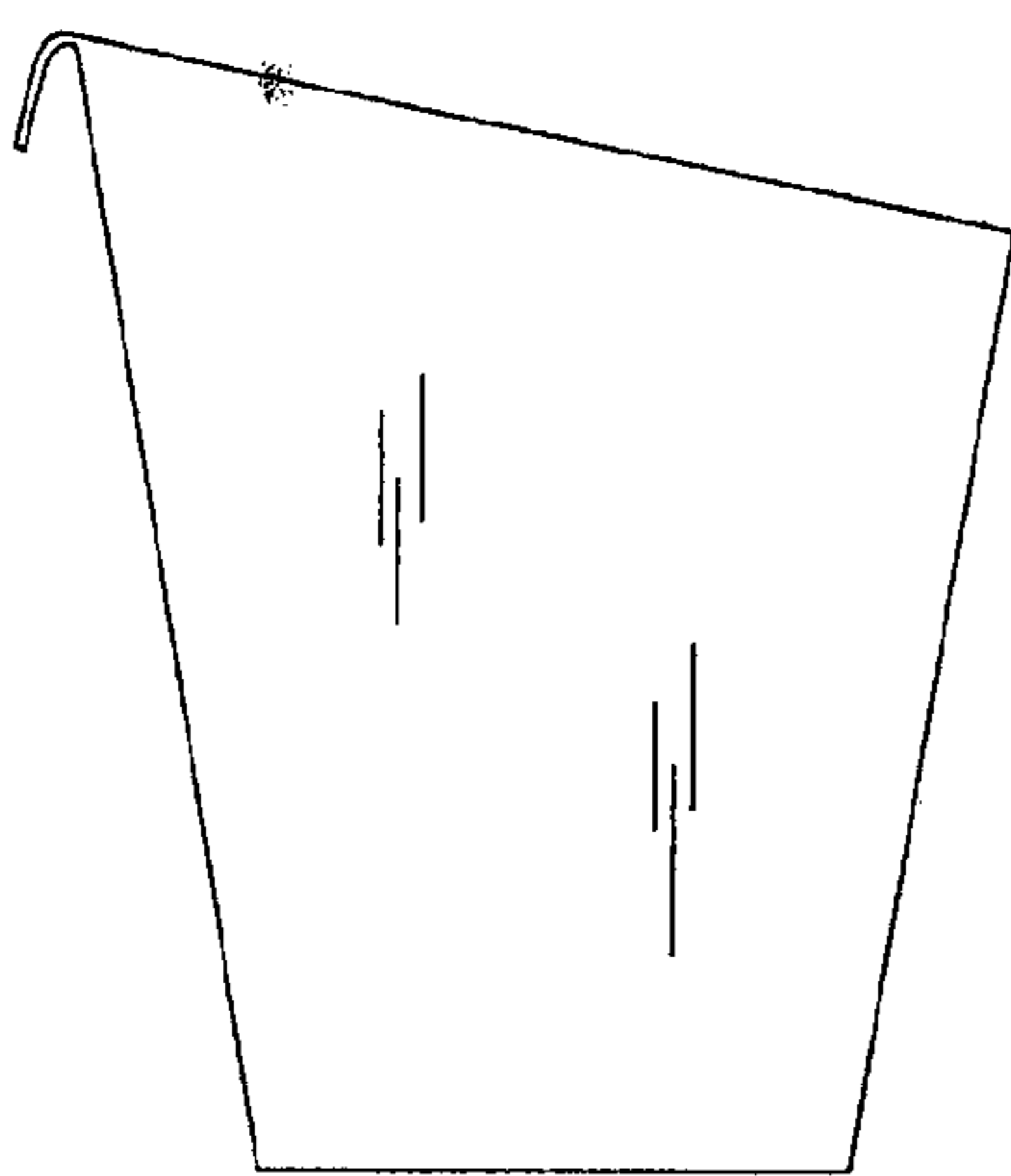


Fig. 3

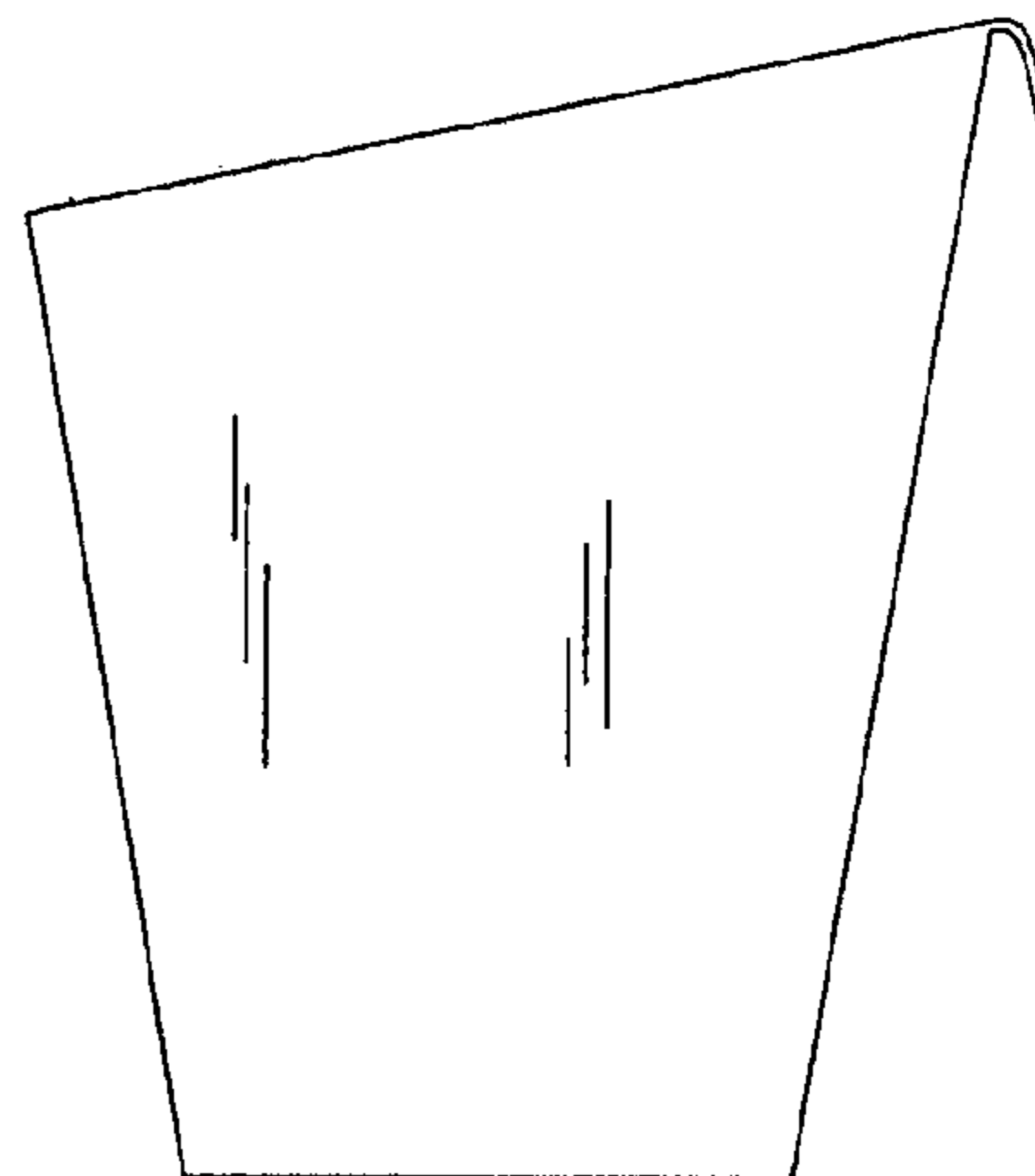


Fig. 4

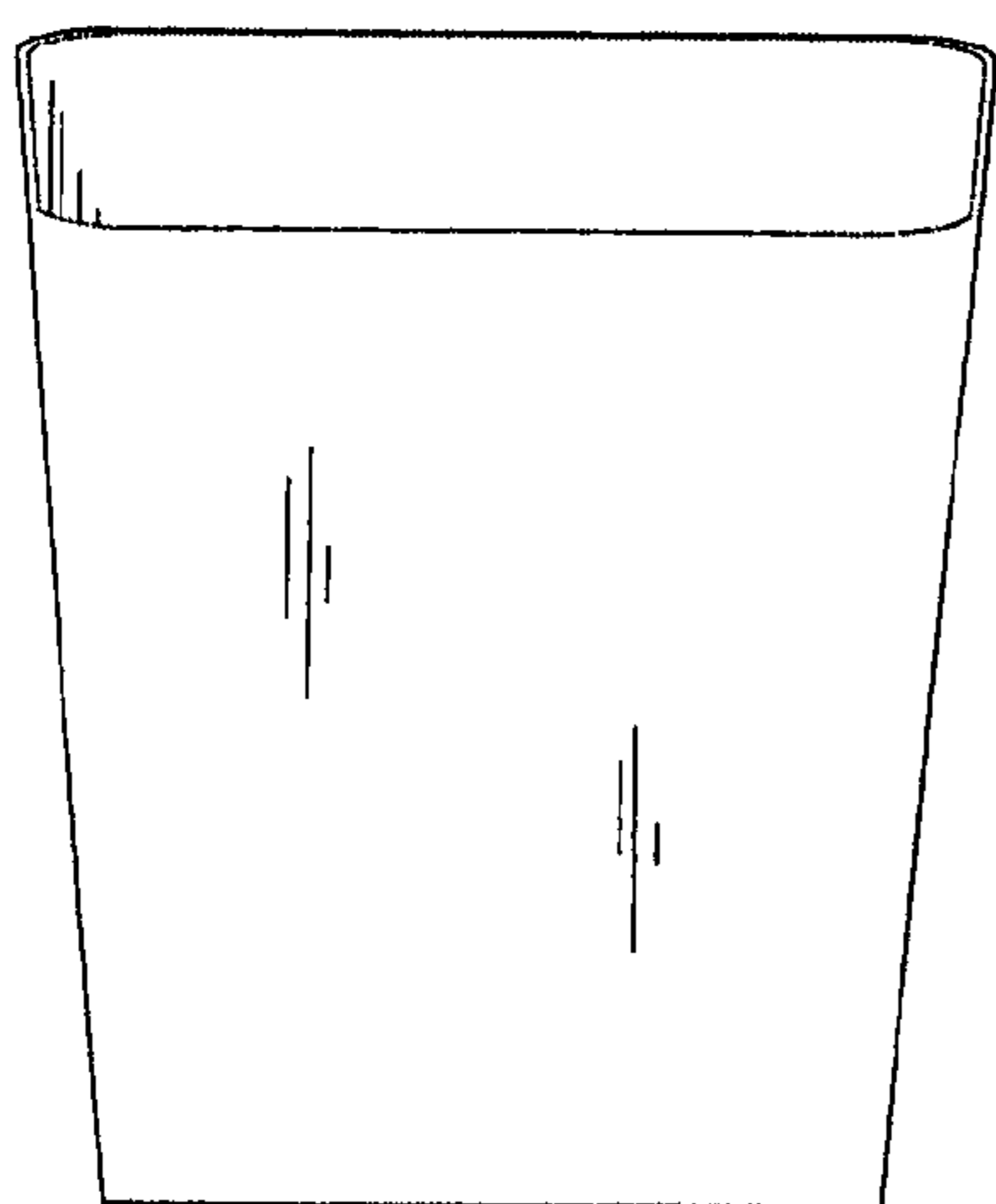


Fig. 5

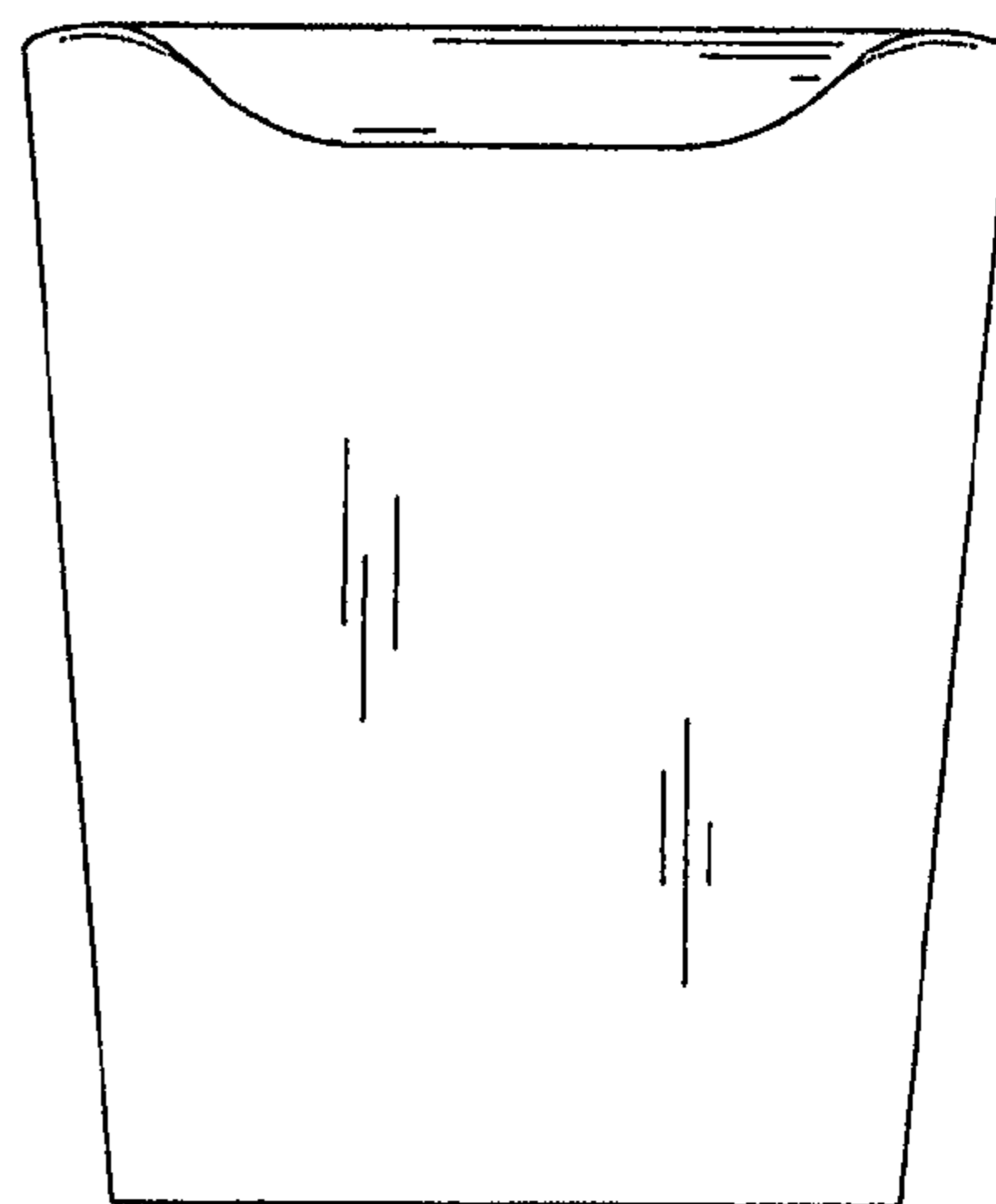


Fig. 6

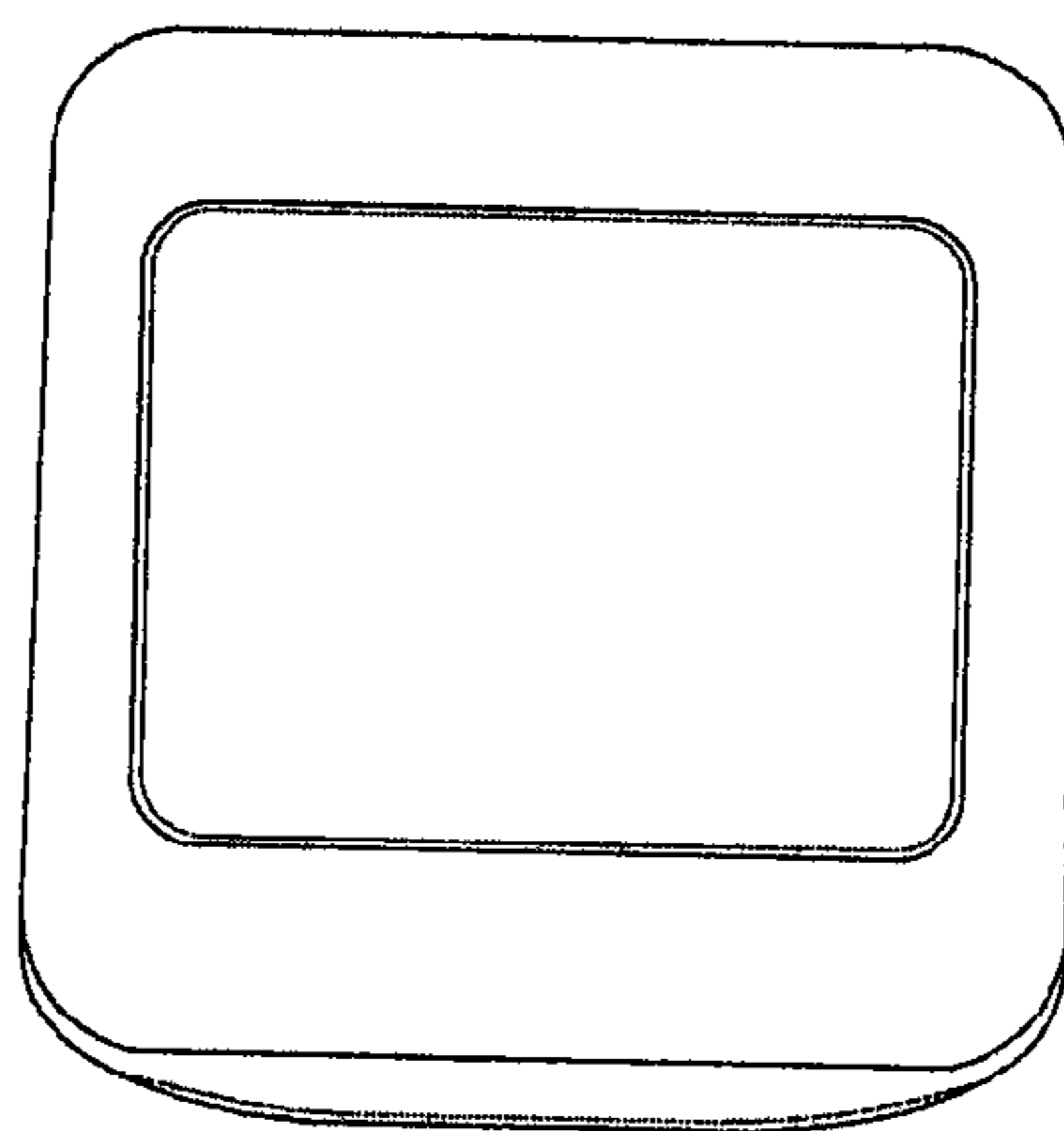


Fig. 7