



US00D602665S

(12) **United States Design Patent**  
**Porcini et al.**

(10) **Patent No.:** **US D602,665 S**  
(45) **Date of Patent:** **\*\* Oct. 20, 2009**

(54) **SPONGE**

(75) Inventors: **Mauro Porcini**, Bregano (IT); **Patrice P. Freyermuth**, Bessancourt (FR); **Didier Legros**, Beauchamp (FR); **Caroline Roque**, L'Isle-Adam (FR)

(73) Assignee: **3M Innovative Properties Company**, St. Paul, MN (US)

(\*\*) Term: **14 Years**

(21) Appl. No.: **29/324,329**

(22) Filed: **Sep. 10, 2008**

(30) **Foreign Application Priority Data**

Mar. 10, 2008 (EM) ..... 000894407

(51) **LOC (9) Cl.** ..... **04-01**

(52) **U.S. Cl.** ..... **D32/40**

(58) **Field of Classification Search** ..... D32/40-45;  
15/244.1-244.4, 209.1, 121; D28/63  
See application file for complete search history.

(56) **References Cited**

**U.S. PATENT DOCUMENTS**

4,336,623 A \* 6/1982 Lin ..... 15/222  
D410,308 S 5/1999 Tintelnot  
D457,698 S 5/2002 Susani  
D464,472 S 10/2002 Haro

D506,299 S 6/2005 Chumley  
D517,516 S \* 3/2006 Peng ..... D14/500  
D569,565 S \* 5/2008 Leahy et al. .... D32/40  
D576,366 S \* 9/2008 Kubes et al. .... D32/40  
D577,167 S \* 9/2008 Bogaerts et al. .... D32/40  
D587,416 S \* 2/2009 Ashe ..... D32/40  
D589,220 S \* 3/2009 Leahy et al. .... D32/40  
D591,018 S \* 4/2009 Bogaerts et al. .... D32/40

**FOREIGN PATENT DOCUMENTS**

BE RCD-000285937-0001 3/2005

\* cited by examiner

*Primary Examiner*—Robin V Webster

(74) *Attorney, Agent, or Firm*—Trisha D. Adamson

(57) **CLAIM**

The ornamental design for a sponge, as shown and described.

**DESCRIPTION**

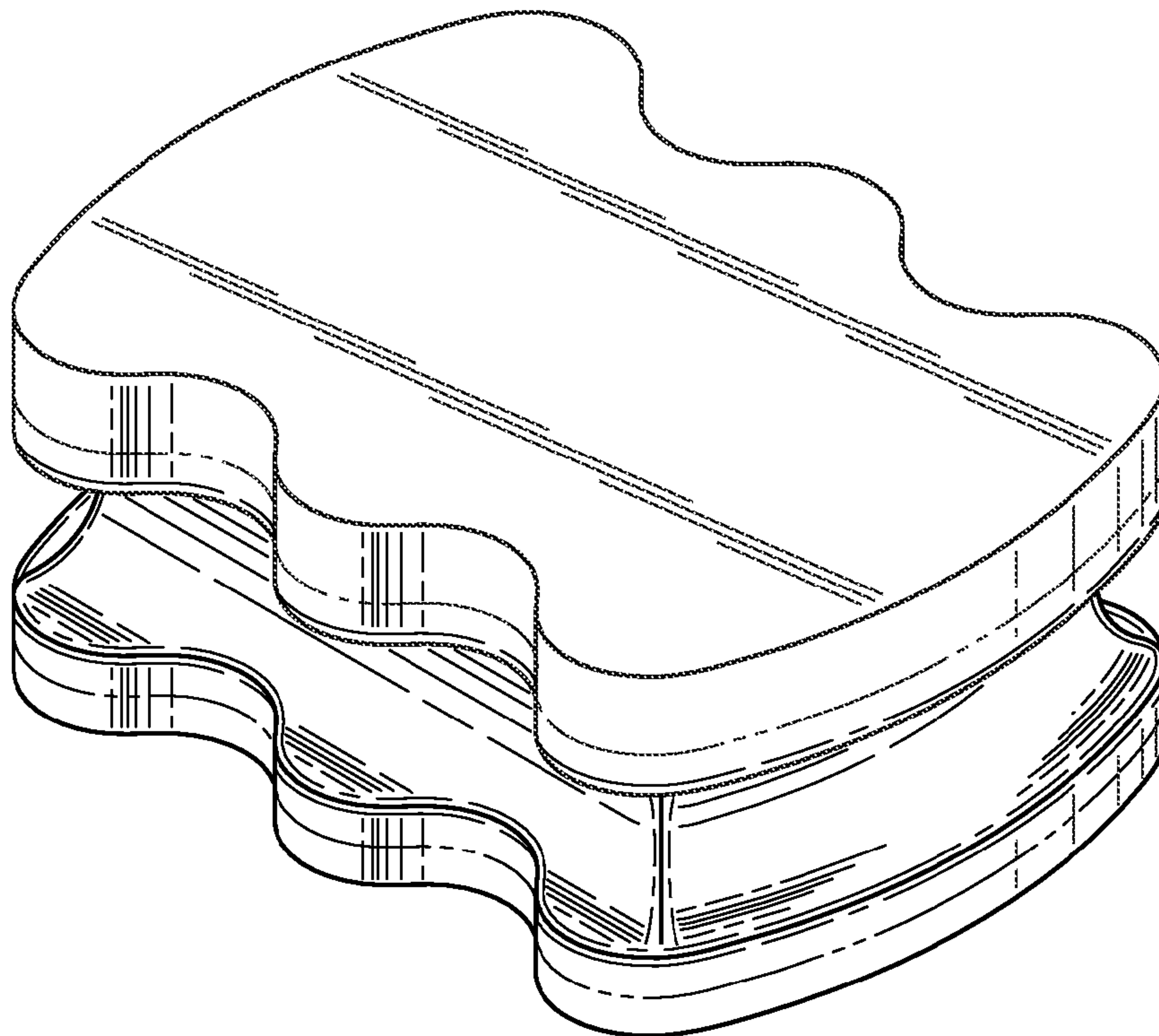
FIG. 1 is a perspective view showing the new design for a sponge;

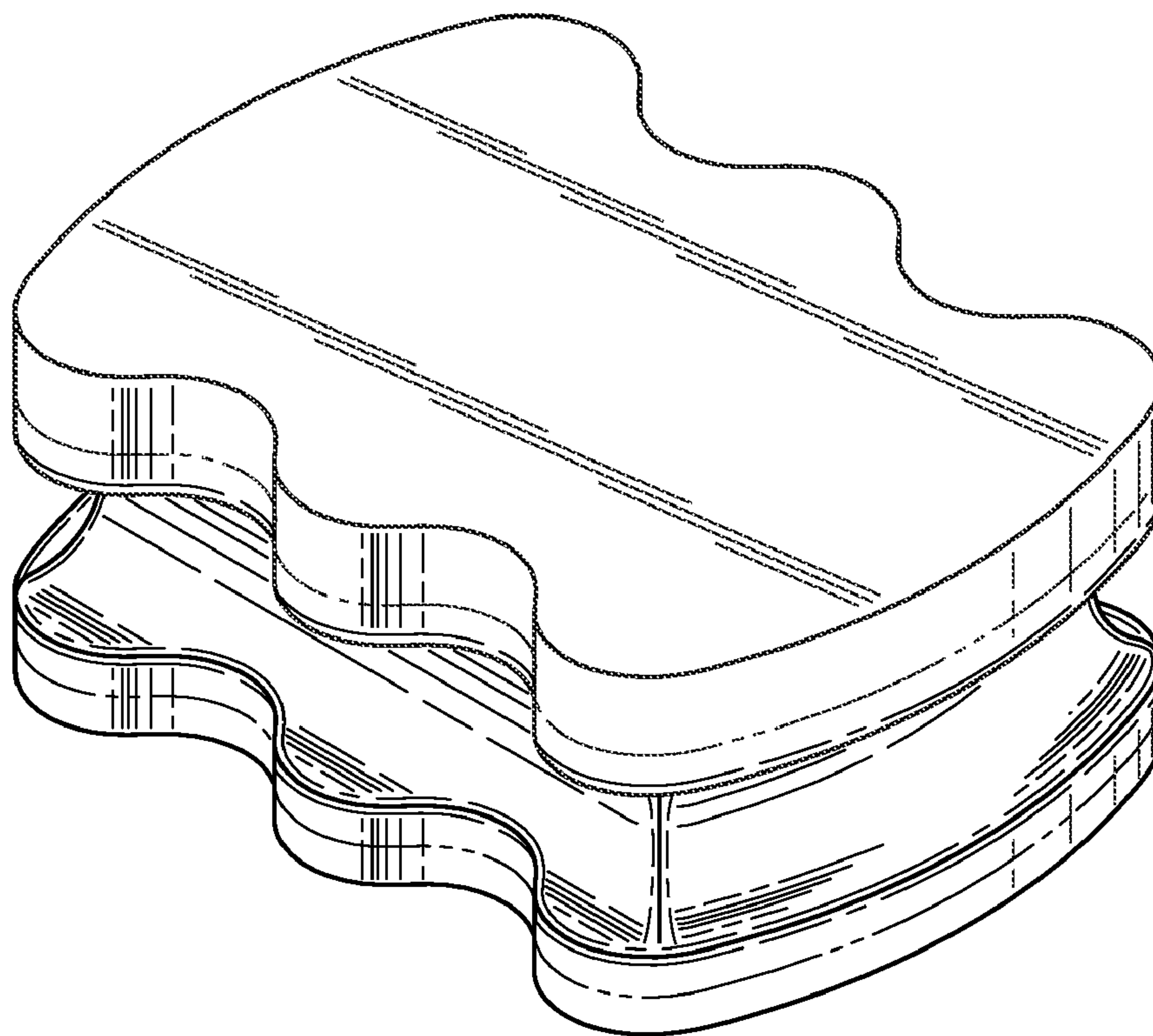
FIG. 2 is a top view thereof, the bottom view being a mirror image thereof;

FIG. 3 is a right side view thereof, the left side view being a mirror image thereof; and,

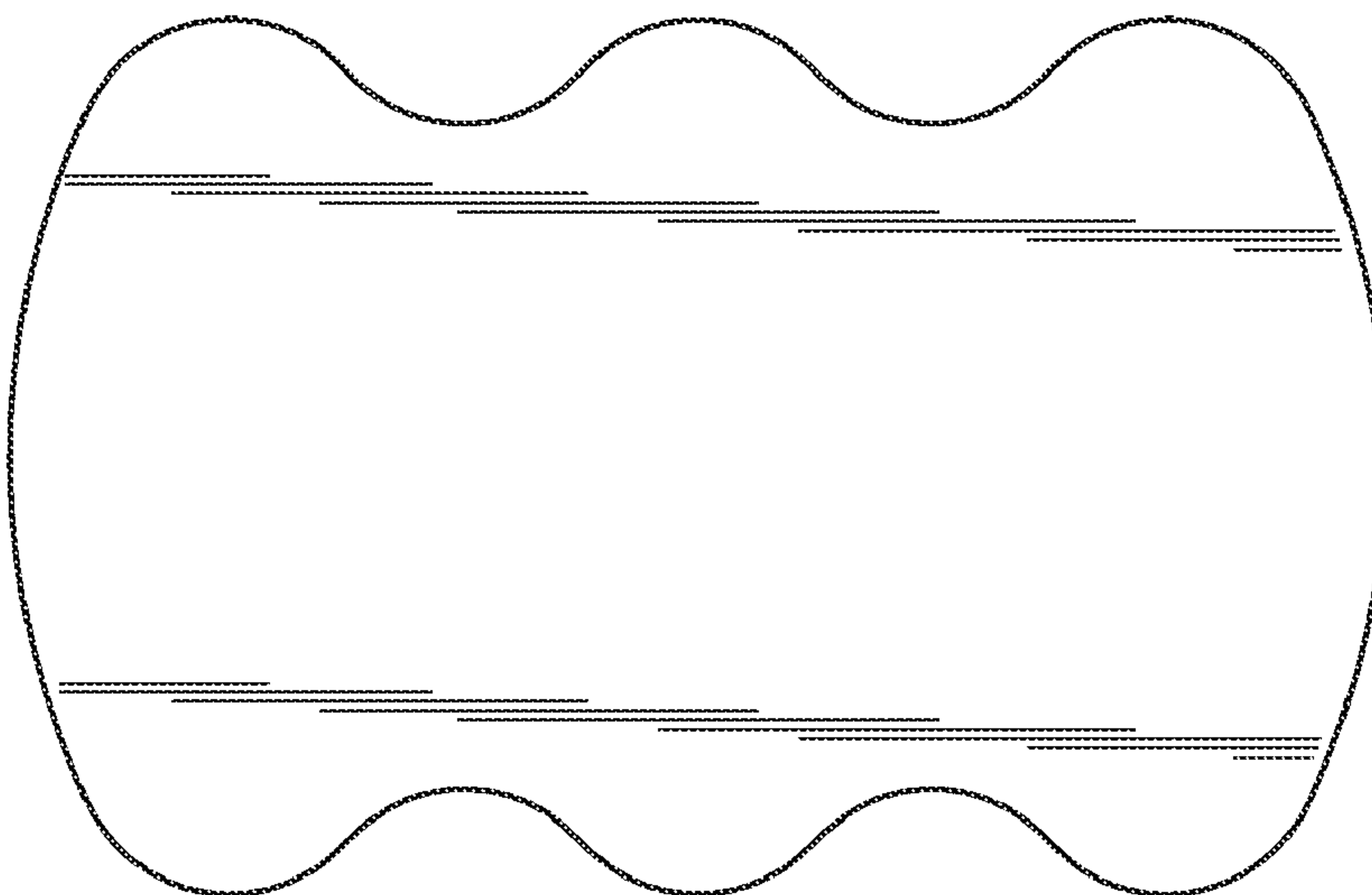
FIG. 4 is a front view thereof, the rear view being a mirror image thereof.

**1 Claim, 2 Drawing Sheets**

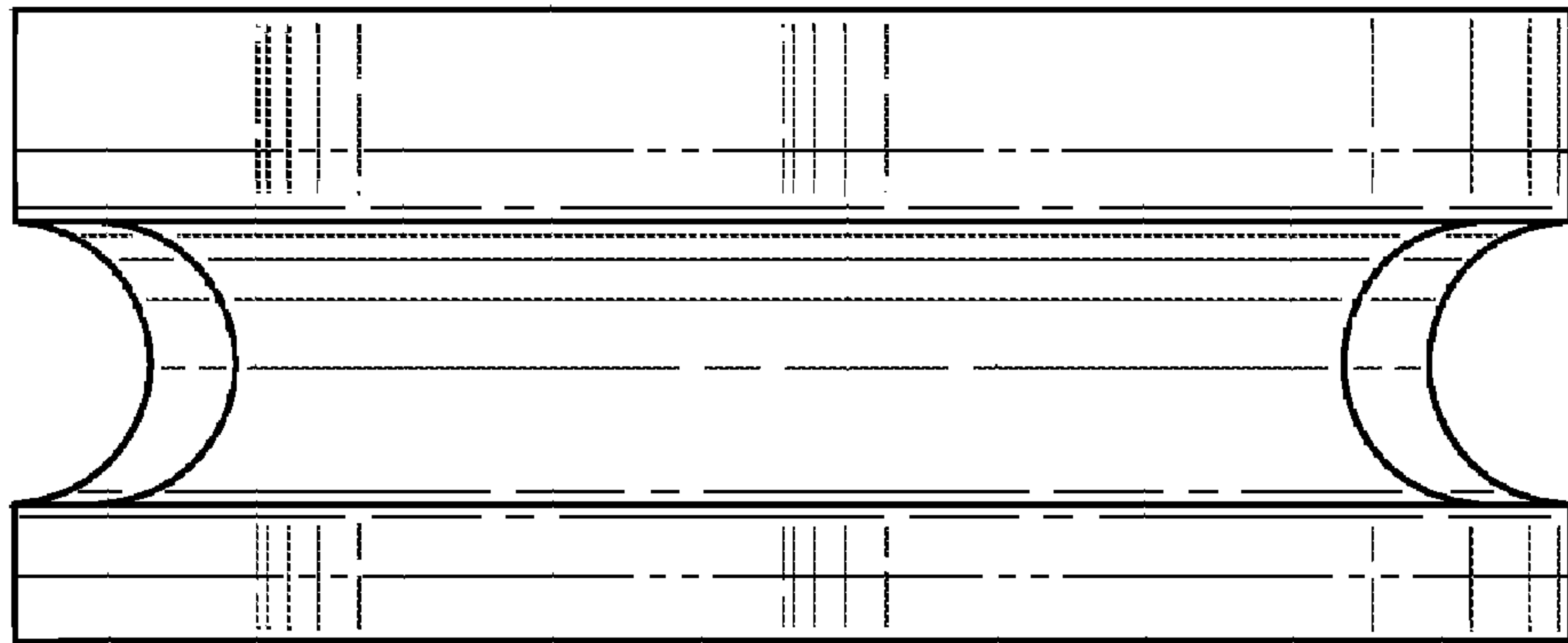




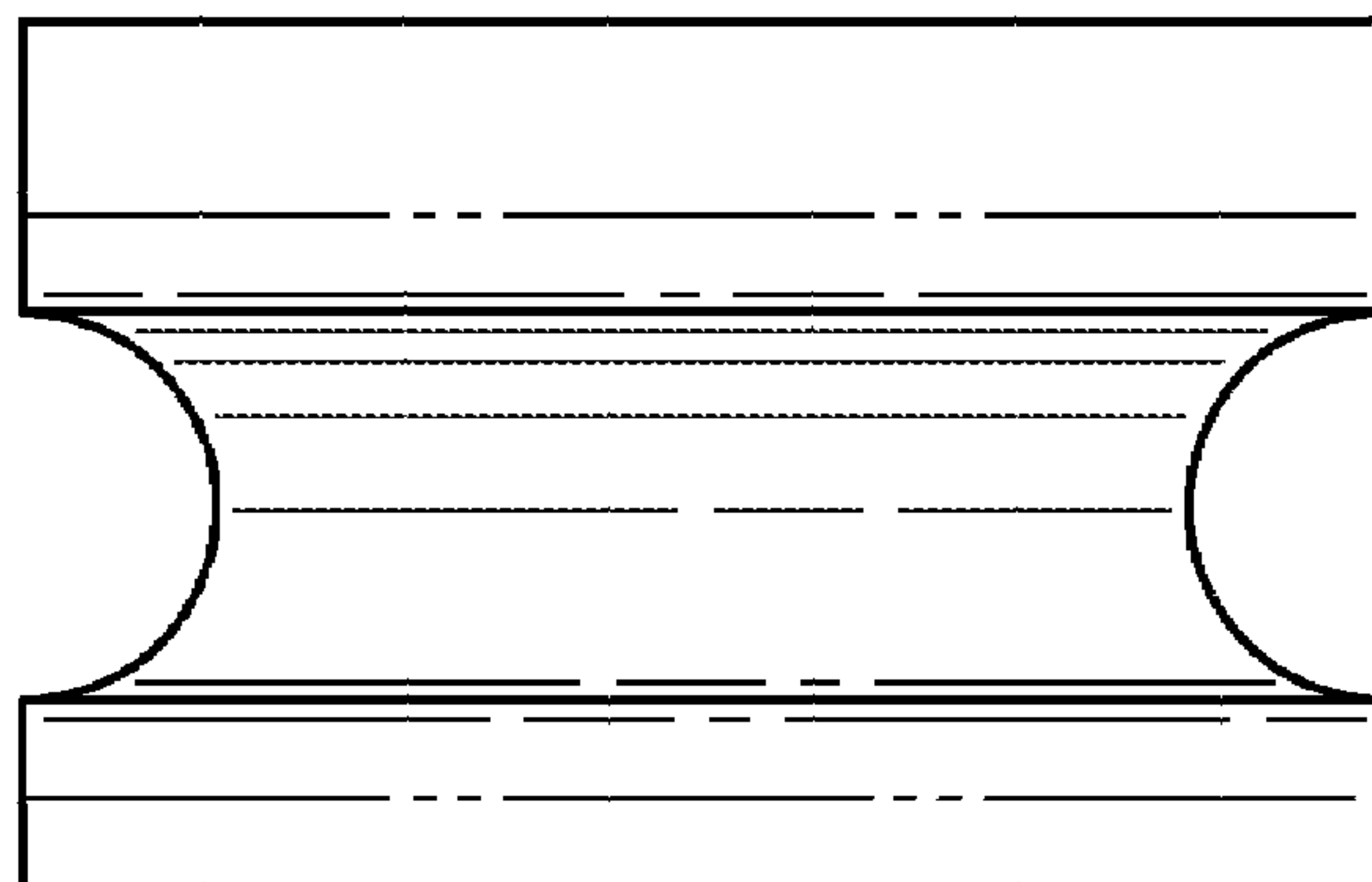
*Fig. 1*



*Fig. 2*



*Fig. 3*



*Fig. 4*