



US00D602664S

(12) **United States Design Patent**
Crawford et al.

(10) **Patent No.:** **US D602,664 S**
(45) **Date of Patent:** **** Oct. 20, 2009**

(54) **FLOOR MAINTENANCE TOOL**

1,774,409 A 8/1930 Tripp

(75) Inventors: **Charles A. Crawford**, Racine, WI (US);
Andrew M. Bober, Racine, WI (US);
Craig Conner, Madison, WI (US);
Mark Cors, Columbus, WI (US);
Nicholas Reback, Monona, WI (US);
Daniel Lee, Monticello, WI (US)

(Continued)

FOREIGN PATENT DOCUMENTS

AU	2005201121	B1	3/2005
BE	1009292		1/1997
DE	103 32 403	A1	2/2005
EP	1 397 990	A2	3/2004
JP	JP 5-137685		6/1993
WO	WO 92/06018		4/1992
WO	WO 99/11171		3/1999

(73) Assignee: **JohnsonDiversey, Inc.**, Sturtevant, WI (US)

(**) Term: **14 Years**

Primary Examiner—Robin V Webster

(21) Appl. No.: **29/279,581**

(74) *Attorney, Agent, or Firm*—Gregory S. Bollis

(22) Filed: **May 3, 2007**

(57) **CLAIM**

(51) **LOC (9) Cl.** **04-01**

We claim the ornamental design for a floor maintenance tool, as shown and described.

(52) **U.S. Cl.** **D32/40; D32/50; D32/51; D32/45**

(58) **Field of Classification Search** D32/40–46,
D32/49, 50, 35, 51, 52; 15/121, 245, 143.1,
15/236.01; 401/137–140; 16/DIG. 12, DIG. 19;
D8/107

DESCRIPTION

See application file for complete search history.

FIG. 1 is a perspective view of a floor maintenance tool embodying aspects of the invention.

FIG. 2 is an additional perspective view of a floor maintenance tool shown in FIG. 1.

FIG. 3 is a side view of the floor maintenance tool shown in FIG. 1.

FIG. 4 is a front view of the floor maintenance tool shown in FIG. 1.

FIG. 5 is a side view of the floor maintenance tool shown in FIG. 1; and,

FIG. 6 is a rear view of the floor maintenance tool shown in FIG. 1.

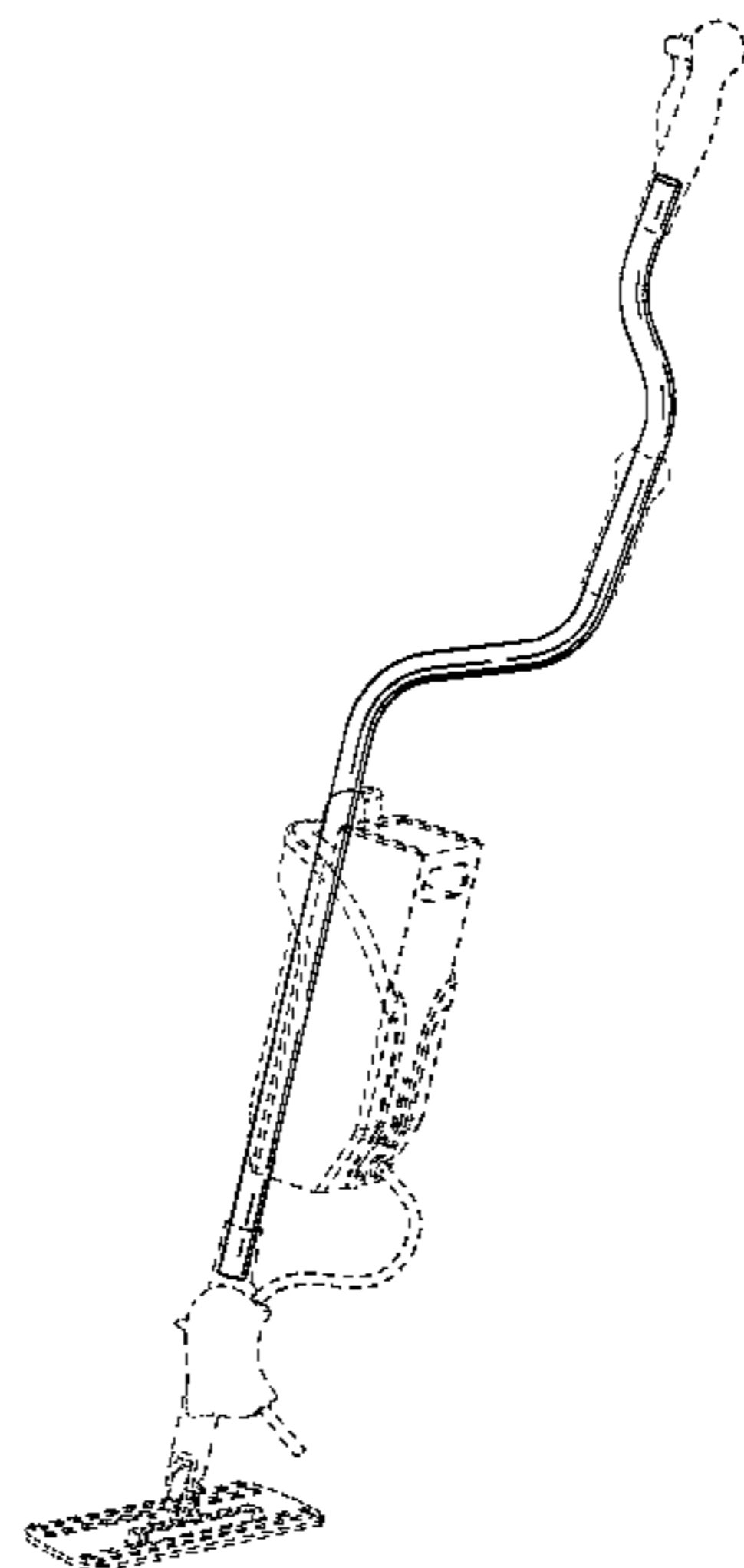
The present application is directed to the shape and contour of a floor maintenance tool or portions thereof as illustrated in the drawing. With respect to illustrations featuring broken line, the features shown in broken lines are not considered part of the design sought to be patented in that figure.

(56) **References Cited**

U.S. PATENT DOCUMENTS

403,218	A	5/1889	Rose
564,707	A	7/1896	MacKenzie
680,193	A	8/1901	Burkhardt
908,915	A	1/1909	Weber
995,125	A	6/1911	Fitch
1,033,222	A	7/1912	Whitehead
1,055,564	A	3/1913	Shanley
1,080,669	A	12/1913	Ziegler
1,468,431	A	9/1923	Wodonos
1,554,875	A	9/1925	Miles
1,609,906	A	12/1926	Buckley
1,656,334	A	1/1928	McKenney
1,715,632	A	6/1929	Wertheimer
1,739,983	A	12/1929	Nelson et al.
1,750,930	A	3/1930	Hoiem

1 Claim, 6 Drawing Sheets



US D602,664 S

Page 2

U.S. PATENT DOCUMENTS							
1,982,910 A	12/1934	Forbes et al.	287/86	5,371,912 A	12/1994	Hall	15/98
2,073,170 A	3/1937	Pieper	91/25	D356,257 S	3/1995	Wise	D9/431
2,137,944 A	11/1938	Macleod	91/39	5,398,567 A	3/1995	Specht	74/523
D114,601 S	5/1939	Rosen et al.		5,402,915 A	4/1995	Hogan	222/105
2,187,671 A	1/1940	Suddarth	91/31	D359,605 S	6/1995	Janikowski	D32/51
2,191,348 A	2/1940	Lauterbach	287/86	5,500,977 A	3/1996	McAllise et al.	15/320
2,243,067 A	5/1941	Berg	306/11	D372,570 S	8/1996	Dokos	D32/50
2,247,956 A	7/1941	Mandel	91/25	5,555,599 A	9/1996	Markley	15/322
2,307,858 A	1/1943	Rufo	91/39	5,600,866 A	2/1997	Berfield	15/322
2,358,596 A	9/1944	Rosenlund	91/12	D383,580 S	9/1997	Bolster et al.	D32/54
2,647,273 A	8/1953	Eagle	15/130	D387,208 S	12/1997	Collett	D4/132
2,653,335 A	9/1953	Johnson	15/118	D388,934 S	1/1998	Ames, Jr. et al.	D4/132
2,736,915 A	3/1956	Le Febvre et al.	15/147	5,769,385 A	6/1998	Burrous et al.	251/7
2,753,579 A	7/1956	Kussmann	15/145	5,771,535 A	6/1998	Blessing	16/110 R
2,768,401 A	10/1956	Becker et al.	15/131	5,779,155 A	7/1998	Schennum et al.	239/333
2,832,978 A	5/1958	Mann et al.	15/50	5,784,755 A	7/1998	Karr et al.	15/334
D190,626 S	6/1961	Musichuk	D9/2	5,791,006 A	8/1998	Anctil	15/144.4
3,039,126 A	6/1962	Kessler	15/244	D401,703 S	11/1998	Beechuk et al.	D32/45
3,054,132 A	9/1962	Ormerod	15/535	5,887,313 A	3/1999	Hanold et al.	15/320
3,074,100 A	1/1963	Sherbondy	15/569	D411,673 S *	6/1999	Biggs et al.	D32/51
3,099,028 A	7/1963	Ardito	15/50	5,920,944 A	7/1999	Biggs et al.	15/144.4
D196,708 S	10/1963	Anderson	D9/2	5,933,912 A	8/1999	Karr et al.	15/320
3,108,312 A	10/1963	Ballantyne	15/525	5,935,659 A	8/1999	Cane et al.	427/428
3,123,851 A	3/1964	Arndt et al.	15/546	5,988,912 A	11/1999	Chen	401/42
D198,074 S	4/1964	Wein	D9/2	6,023,924 A	2/2000	Babineau	56/400.01
D200,193 S	2/1965	Perrett	D9/2	D425,274 S *	5/2000	Kunkler	D32/35
D207,252 S	3/1967	Sawyer et al.	D9/2	6,073,300 A	6/2000	Zahuranec et al.	15/320
D207,947 S	6/1967	Johnson et al.	D9/2	D428,226 S	7/2000	Kunkler	D32/45
3,457,016 A	7/1969	Gotberg	401/131	6,098,244 A	8/2000	Conrad et al.	15/410
3,510,028 A	5/1970	Batistelli	222/174	6,146,041 A	11/2000	Chen et al.	401/140
3,589,560 A	6/1971	Wilcox	222/31	6,170,112 B1	1/2001	Mayfield et al.	15/159.1
3,618,596 A	11/1971	Miller	128/66	6,199,245 B1	3/2001	Blessing	16/430
3,639,939 A	2/1972	Crener et al.	15/320	6,203,626 B1	3/2001	Biggs et al.	134/6
3,675,656 A	7/1972	Hakim	128/325	6,217,244 B1	4/2001	Chen et al.	401/140
3,690,779 A	9/1972	Ellis	401/266	6,247,202 B1	6/2001	Lesco et al.	15/320
3,756,471 A	9/1973	Wissman	222/156	6,266,838 B1	7/2001	Caruso	15/98
3,805,830 A	4/1974	Smith	137/601	D458,427 S	6/2002	Kunkler et al.	D32/45
3,806,261 A	4/1974	Soultanian	401/42	D458,721 S *	6/2002	Clarke	D32/51
3,813,077 A	5/1974	Kolic	251/9	6,397,427 B1 *	6/2002	Bryngelsson	15/228
4,119,386 A	10/1978	Cushing	401/138	6,413,002 B1	7/2002	Delaine, Jr.	401/289
D250,229 S	11/1978	Werner	D4/32	6,421,862 B2	7/2002	Lesco et al.	8/158
4,139,017 A	2/1979	Hamilton, Sr. et al.	137/343	6,443,329 B1	9/2002	Rochefort et al.	222/105
4,146,944 A	4/1979	Pinto	15/321	6,487,747 B2	12/2002	Cavalheiro	15/143.1
4,167,349 A	9/1979	Testa	401/144	6,549,744 B2	4/2003	Terazawa et al.	399/262
4,177,969 A	12/1979	Sieber-Muller	251/9	6,551,001 B2	4/2003	Aberegg et al.	401/190
4,218,900 A	8/1980	Caplan et al.	68/205 R	6,648,218 B2	11/2003	Katsuyama et al.	229/117.35
4,250,586 A	2/1981	Timian	15/22 R	6,655,866 B1	12/2003	Morad et al.	401/139
4,272,051 A	6/1981	Huggins	251/6	6,663,307 B2	12/2003	Kopanic et al.	401/190
D262,936 S	2/1982	Nishiyama et al.	D32/40	D485,175 S	1/2004	Field et al.	D9/432
D272,605 S	2/1984	Pelletier	D9/431	D485,954 S	1/2004	Hall et al.	D32/45
D274,855 S	7/1984	Nishiyama et al.	D32/50	6,681,442 B2	1/2004	Coates et al.	15/320
4,457,339 A	7/1984	Juan et al.	137/624.16	D486,616 S	2/2004	Hall et al.	D32/45
4,498,214 A	2/1985	Oxel	15/320	D487,174 S *	2/2004	Colman et al.	D32/45
4,558,823 A	12/1985	Groth	239/413	6,684,459 B2	2/2004	Dickhaus	16/430
4,566,149 A	1/1986	Fitzwater	15/320	6,692,174 B2	2/2004	DeLaine, Jr.	401/289
4,651,898 A	3/1987	Bell	222/129	6,695,516 B2	2/2004	DeFields et al.	401/139
D290,892 S	7/1987	Slany	D32/15	6,786,431 B2	9/2004	Song	239/526
4,704,758 A	11/1987	Hoffman	15/144 B	D497,699 S *	10/2004	Chi-Hsiang et al.	D32/45
4,801,050 A	1/1989	Bell	222/212	6,866,165 B2	3/2005	Heathcock et al.	222/174
4,863,299 A *	9/1989	Osberghaus et al.	401/15	6,871,377 B2	3/2005	Veltrop et al.	15/236.01
D304,630 S	11/1989	Jones et al.	D32/40	6,880,199 B1	4/2005	Huffman et al.	15/320
D312,339 S	11/1990	Nero, III	D32/51	D505,762 S	5/2005	Lalanne et al.	D32/45
D313,879 S	1/1991	Ito	D32/22	6,889,917 B2	5/2005	Fahy et al.	239/525
5,060,343 A	10/1991	Nisenbaum	16/111 R	6,893,180 B2	5/2005	Hall et al.	401/140
5,083,340 A	1/1992	Takahashi et al.	15/410	6,899,485 B2 *	5/2005	Hall et al.	401/140
5,144,713 A	9/1992	Unger	15/245	D507,088 S	7/2005	Chi-Hsiang et al.	D32/45
5,232,298 A	8/1993	Mitsunari et al.	401/140	6,948,873 B2	9/2005	Policicchio et al.	401/139
D341,235 S	11/1993	Cuomo et al.	D32/45	6,955,490 B2	10/2005	Chase et al.	401/139
5,259,587 A	11/1993	D' Alessio et al.	251/4	6,964,535 B2	11/2005	Bell et al.	401/140
5,279,180 A	1/1994	Henriksson	74/502.2	D514,267 S *	1/2006	Tsai	D32/45
5,311,638 A	5/1994	Furcron et al.	15/321	6,986,619 B2	1/2006	Hall et al.	401/140
				6,991,209 B2	1/2006	Ball	251/8
				7,004,658 B2	2/2006	Hall et al.	401/140

US D602,664 S

Page 3

7,007,338 B2	3/2006	Garabedian, Jr. et al.	15/231	2004/0223803 A1	11/2004	Fahy et al.	401/190
7,048,458 B2	5/2006	Hall et al.	401/140	2004/0231700 A1	11/2004	Bell et al.	134/6
7,048,804 B2	5/2006	Kisela et al.	134/21	2005/0034266 A1	2/2005	Morgan et al.	15/354
7,051,399 B2	5/2006	Field et al.	15/320	2005/0050689 A1	3/2005	Biggs	16/430
7,063,474 B2	6/2006	DeFields et al.	401/139	2005/0063765 A1	3/2005	Chase et al.	401/139
7,121,521 B2	10/2006	Lipscomb et al.	251/8	2005/0089360 A1	4/2005	Garabedian, Jr. et al.	401/279
7,160,044 B2	1/2007	Dyer et al.	401/139	2005/0095053 A1	5/2005	Harris	401/138
7,172,658 B2	2/2007	Field et al.	134/21	2005/0188486 A1	9/2005	Tubman	15/143.1
7,178,196 B2	2/2007	Morgan et al.	15/320	2005/0196225 A1	9/2005	Chang	401/263
7,204,950 B2	4/2007	Farha et al.	264/447	2005/0205604 A1	9/2005	Rochefort et al.	222/105
D541,996 S	5/2007	Crevling, Jr. et al.	D32/22	2005/0251943 A1	11/2005	Van Latingham, Jr.	15/228
2002/0144369 A1	10/2002	Biggs et al.	15/143.1	2006/0008317 A1	1/2006	Livingstone et al.	401/279
2002/0186996 A1	12/2002	Miller	401/140	2006/0071021 A1	4/2006	Steeves et al.	222/105
2003/0000036 A1	1/2003	Fan	15/120.1	2006/0213017 A1	9/2006	Bele et al.	15/143.1
2003/0089383 A1	5/2003	Biggs	134/6	2006/0222441 A1	10/2006	Tanaka et al.	401/139
2003/0150478 A1	8/2003	Biggs	134/6	2006/0233593 A1	10/2006	Tanaka et al.	401/139
2003/0159233 A1	8/2003	Oh	15/321	2006/0269353 A1	11/2006	Tanaka et al.	401/146
2003/0200631 A1	10/2003	Clarke	16/430	2006/0280546 A1	12/2006	Dyer	401/139
2004/0047670 A1	3/2004	Martin	401/138	2007/0044265 A1	3/2007	Crevling, Jr. et al.	15/246.2
2004/0055099 A1	3/2004	Greenberg	15/143.1				
2004/0134016 A1	7/2004	Kisela et al.	15/320				
2004/0141797 A1	7/2004	Garabedian et al.	401/279				

* cited by examiner

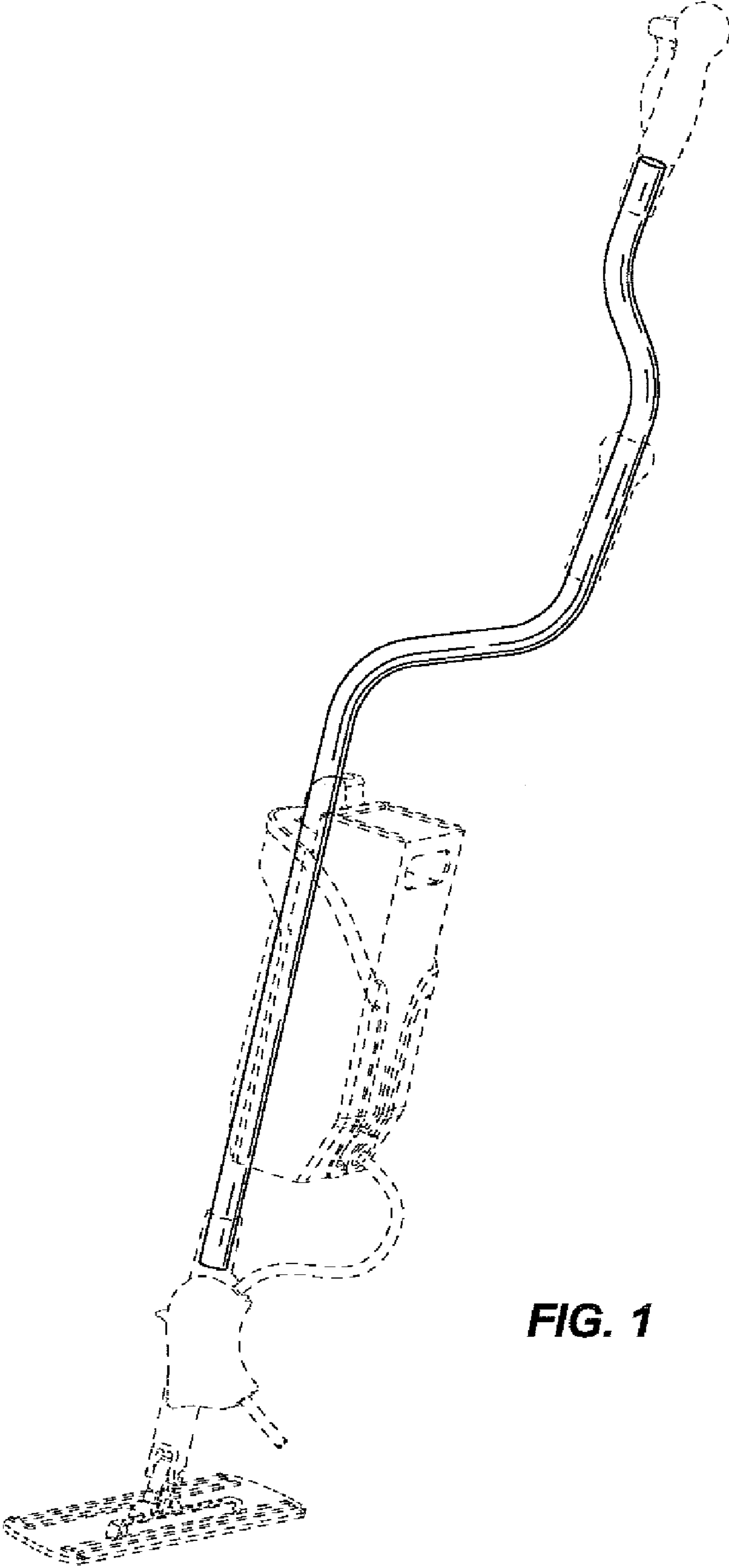


FIG. 1

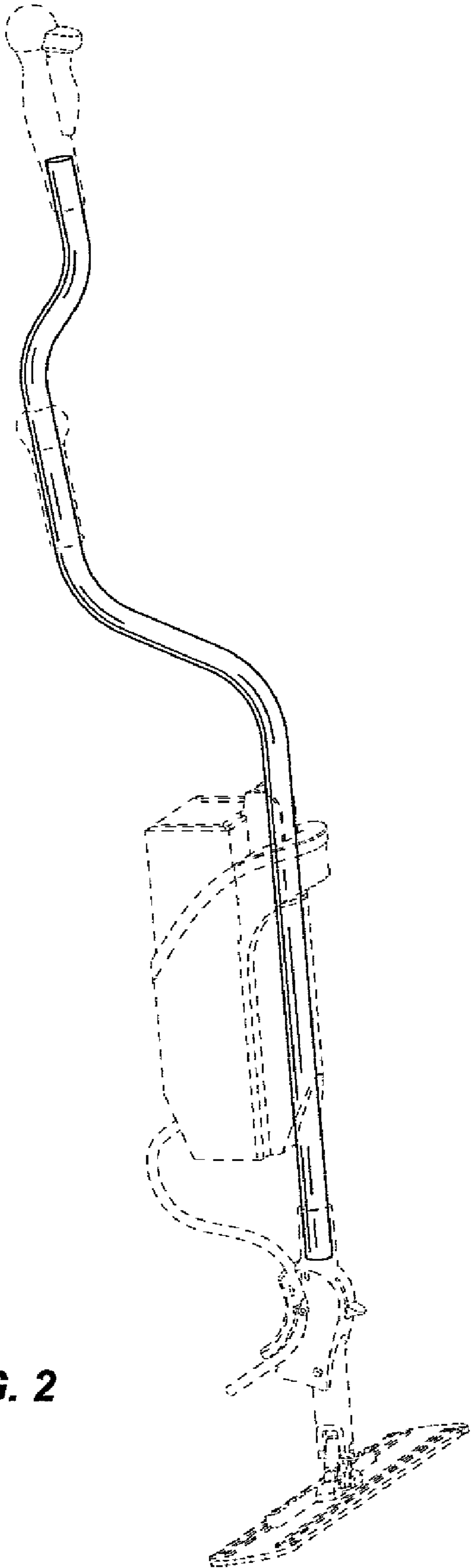


FIG. 2

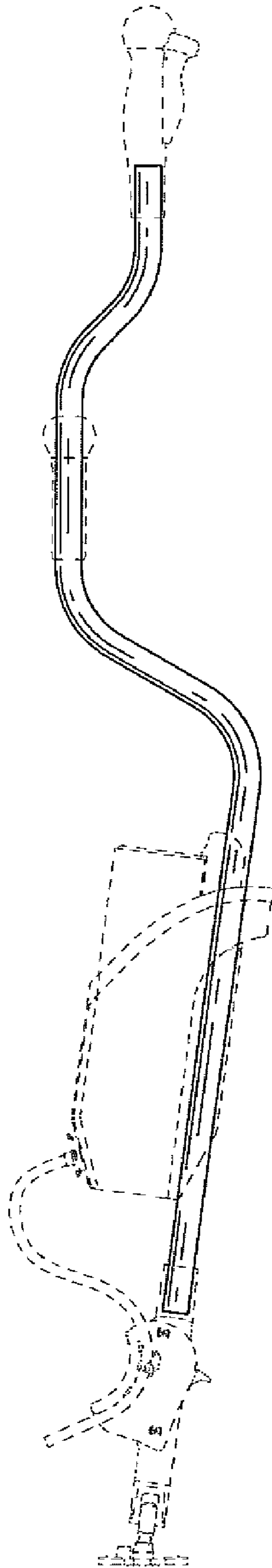


FIG. 3

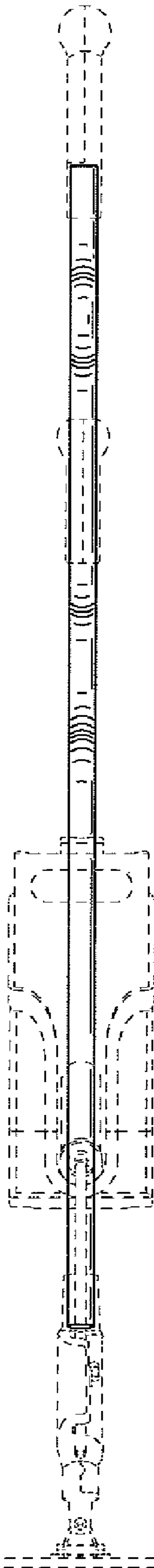


FIG. 4

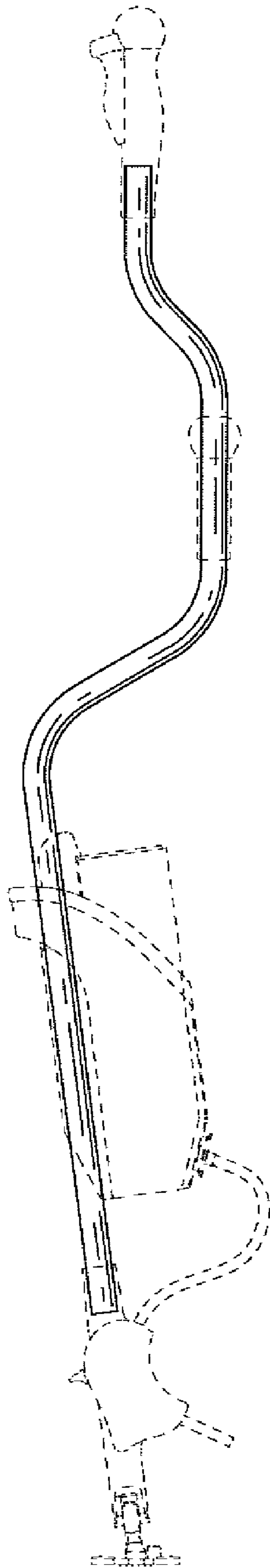


FIG. 5

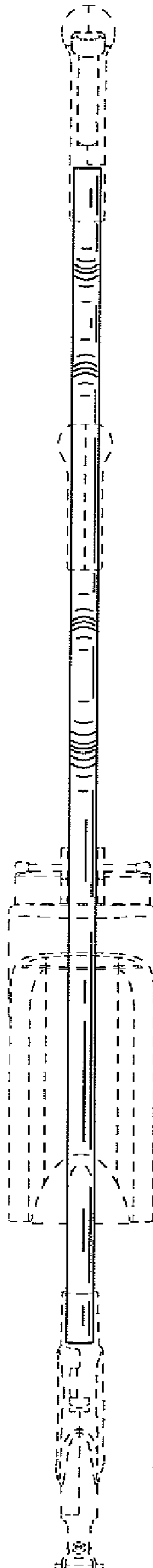


FIG. 6

0 10 20 30 40 50 60 70 80 90 100 110 120 130 140 150 160 170 180 190 200 210 220 230 240 250 260 270 280 290 300 310 320 330 340 350 360 370 380 390 400 410 420 430 440 450 460 470 480 490 500 510 520 530 540 550 560 570 580 590 600 610 620 630 640 650 660 670 680 690 700 710 720 730 740 750 760 770 780 790 800 810 820 830 840 850 860 870 880 890 900 910 920 930 940 950 960 970 980 990 1000