



US00D602662S

(12) **United States Design Patent**
Conner

(10) **Patent No.:** **US D602,662 S**
(45) **Date of Patent:** **** Oct. 20, 2009**

(54) **VACUUM HOSE WEIGHT**

(76) **Inventor:** **Steven Conner**, 1552 Wolfsnare Rd.,
Virginia Beach, VA (US) 23451

(**) **Term:** **14 Years**

(21) **Appl. No.:** **29/304,754**

(22) **Filed:** **Mar. 7, 2008**

(51) **LOC (9) Cl.** **15-05**

(52) **U.S. Cl.** **D32/31**

(58) **Field of Classification Search** D32/21-22,
D32/31, 34, 25; 15/347, 350-353, 361, 410-411,
15/335, 366, 229.2, 246.2, 327.1-327.2;
55/366, 429, 315, 356, 372, 414, 415.1-422.1,
55/400; D21/680, 683; 138/112, DIG. 11
See application file for complete search history.

(56) **References Cited**

U.S. PATENT DOCUMENTS

1,218,578	A	3/1917	Osley	
2,831,948	A *	4/1958	Fraser	200/295
D209,573	S *	12/1967	Leinfelt	D32/31
D264,011	S *	4/1982	Genoa	D32/31
D275,333	S *	8/1984	Williams et al.	D32/31
D313,096	S *	12/1990	Hayden	D32/34
D314,848	S *	2/1991	Foldes	D32/31
5,557,819	A	9/1996	Krolikowski	
6,076,560	A	6/2000	Stahle	
D433,468	S *	11/2000	Rojas et al.	D21/680
D444,603	S *	7/2001	Murphy et al.	D32/31

D453,867	S *	2/2002	Zahuranec et al.	D32/31
D469,135	S *	1/2003	Bell	D21/662
D530,050	S *	10/2006	Bizzotto	D32/50
D545,512	S *	6/2007	Genoa et al.	D32/31
D579,990	S *	11/2008	Dalcourt	D21/680
D590,047	S *	4/2009	Lawyer	D23/214

* cited by examiner

Primary Examiner—Ruth McInroy

(57) **CLAIM**

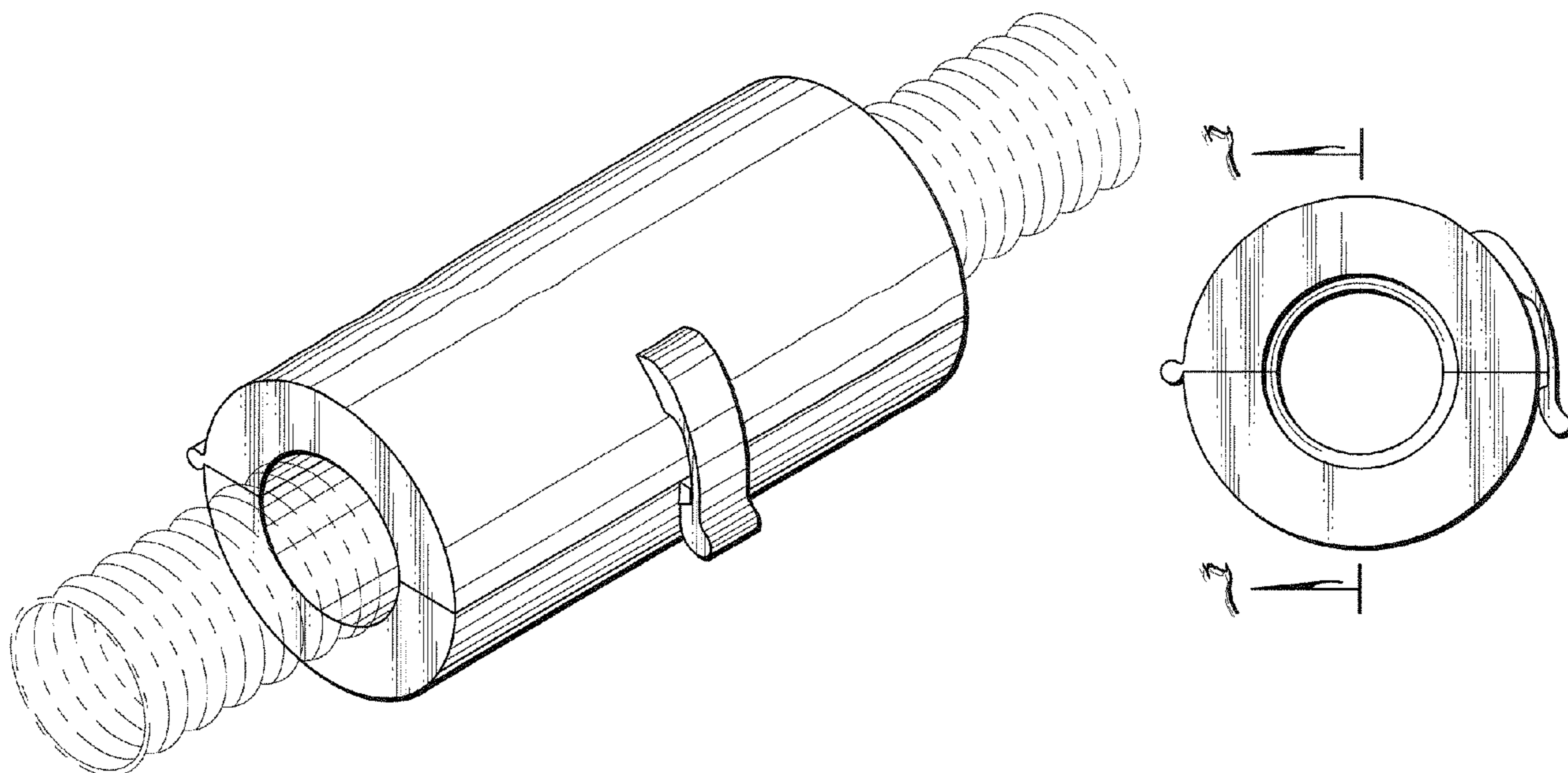
The ornamental design for a vacuum hose weight, as shown and described.

DESCRIPTION

FIG. 1 is a perspective view of my design;
FIG. 2 is a front view of my design;
FIG. 3 is a top view of my design;
FIG. 4 is a bottom view of my design;
FIG. 5 is a rear view of my design;
FIG. 6 is a side view of my design, the opposite side view being a mirror image thereof; and,
FIG. 7 is a cross-sectional view taken along lines 7—7 in FIG. 6.

The features shown in broken lines in FIG. 1 are shown for illustrative purpose only and form no part of the claimed design.

1 Claim, 3 Drawing Sheets



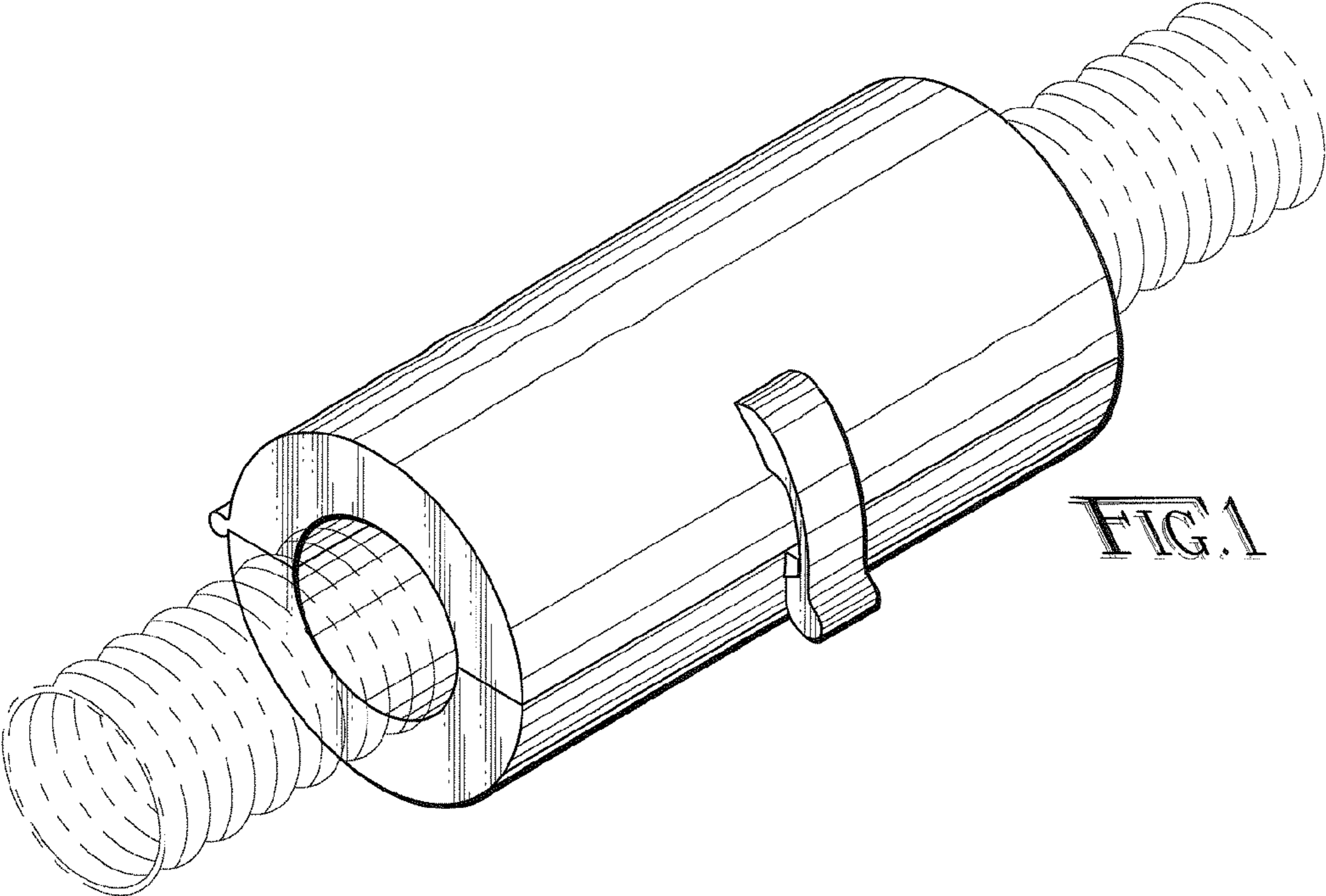


FIG. 1

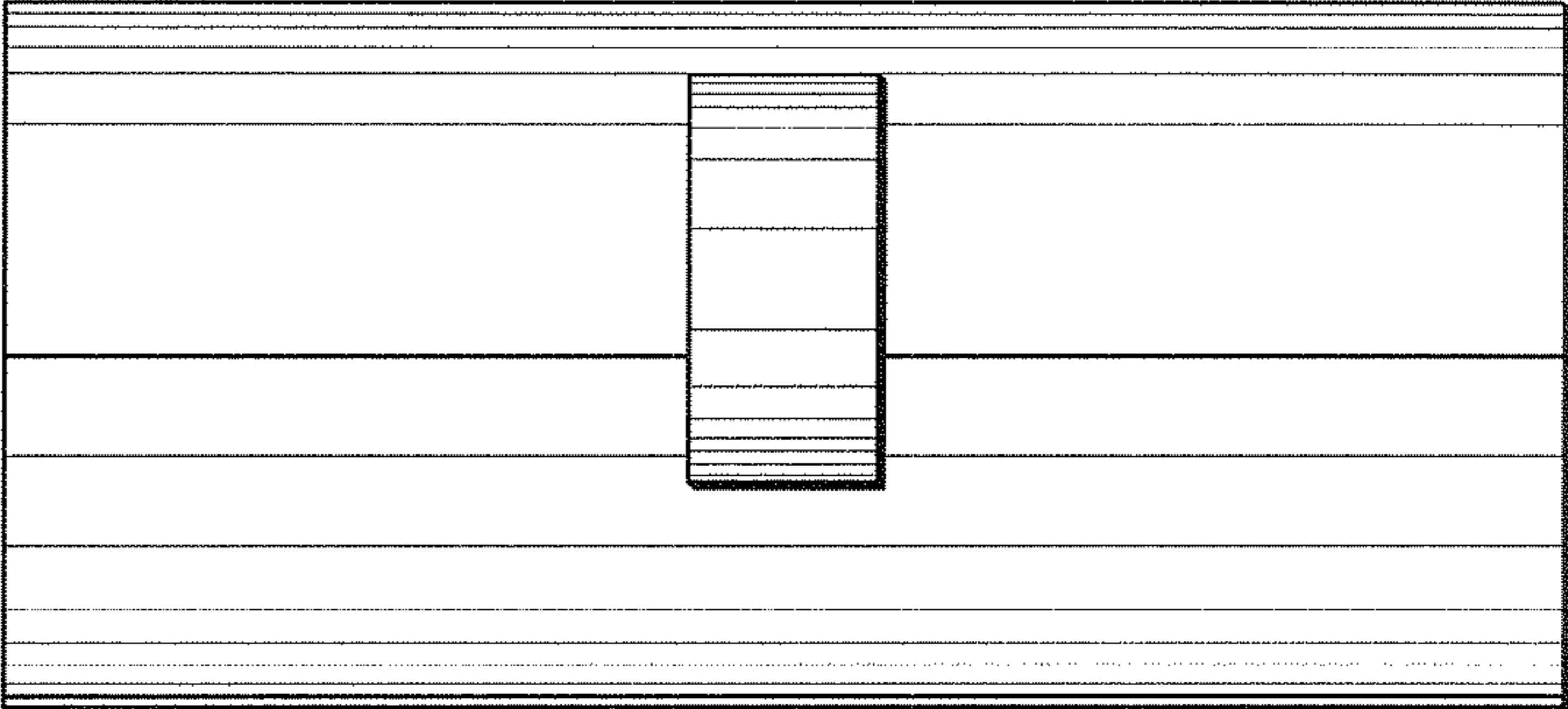


FIG. 2

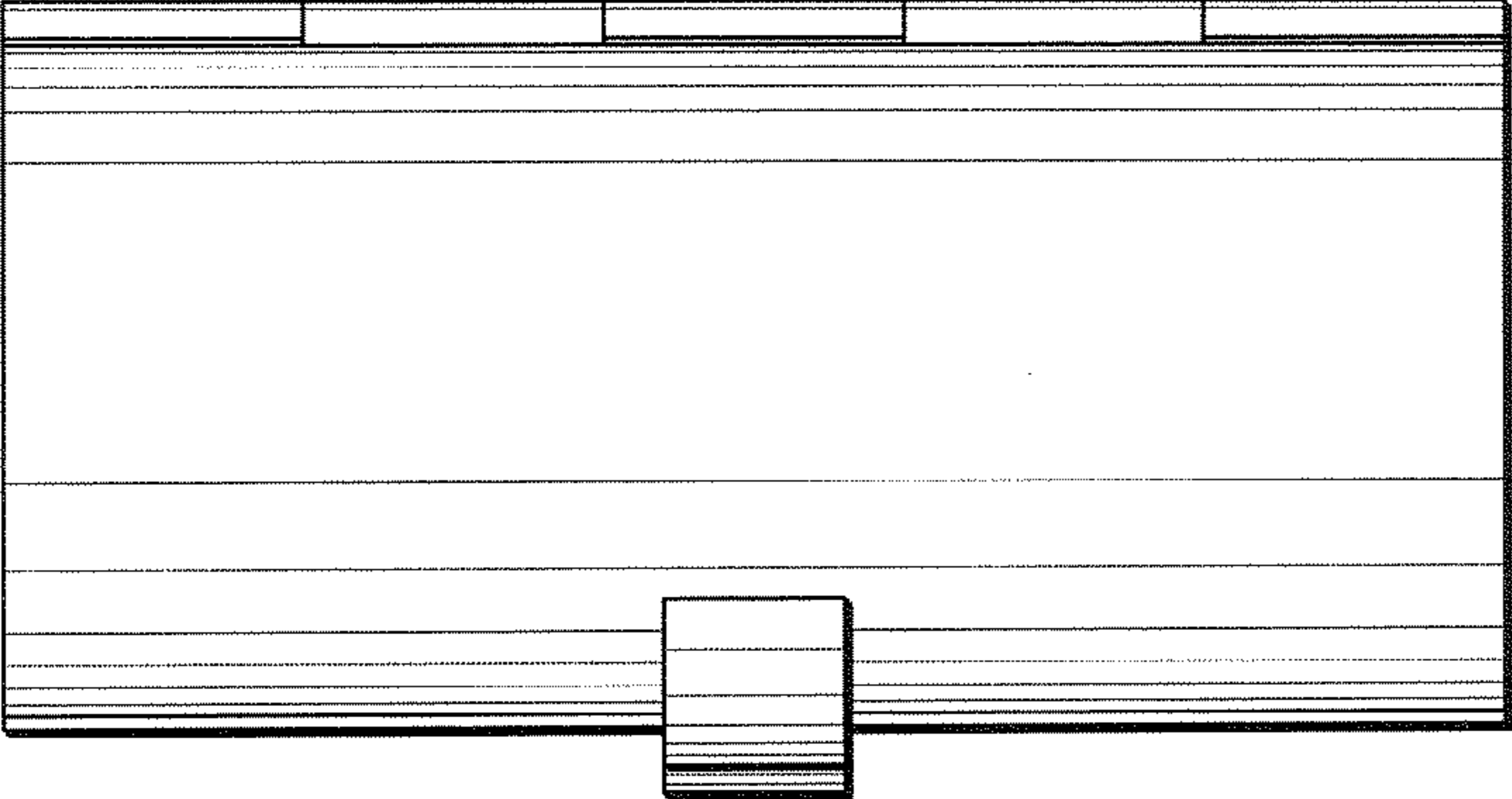


FIG. 3

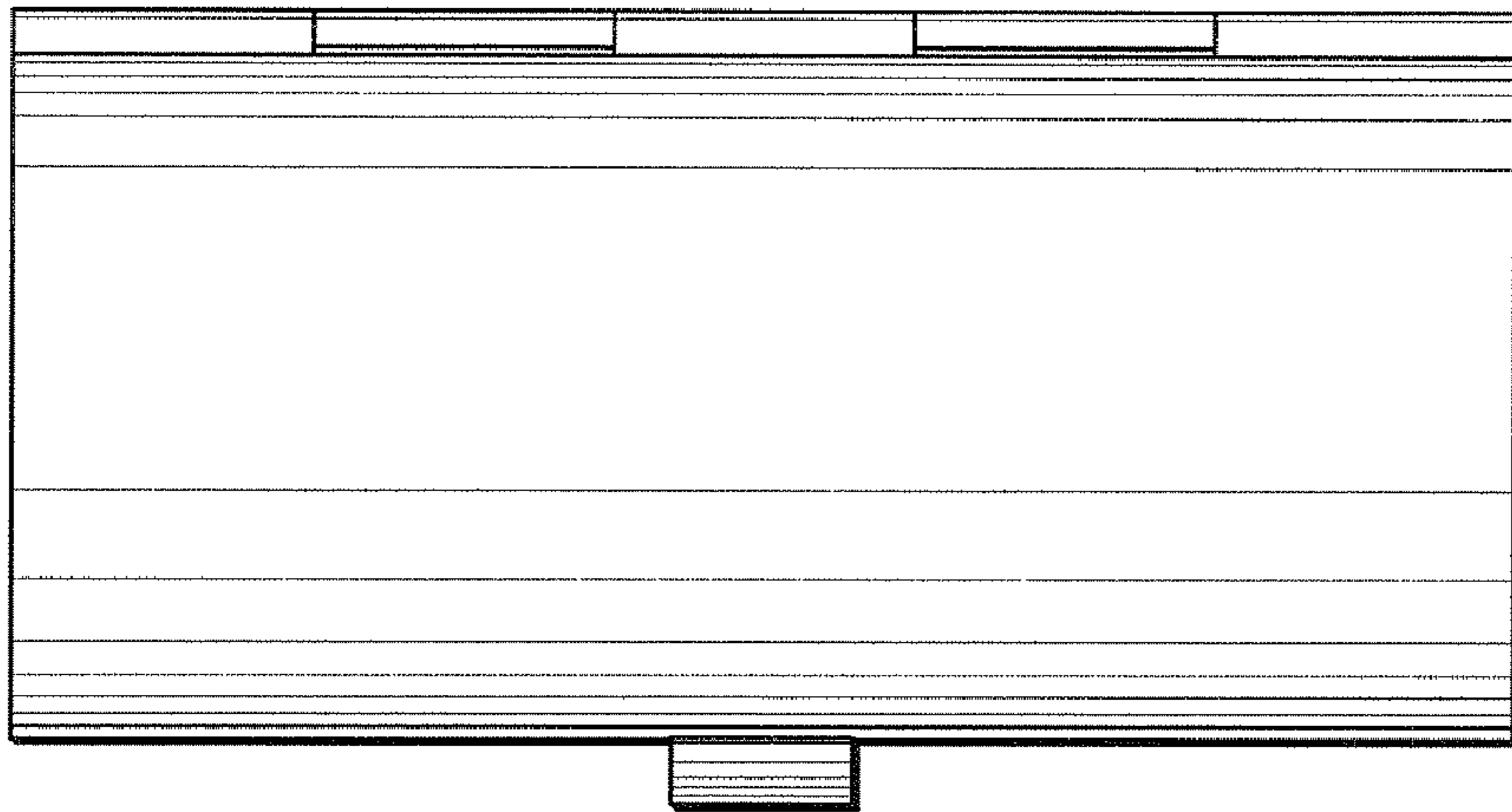


FIG. 4

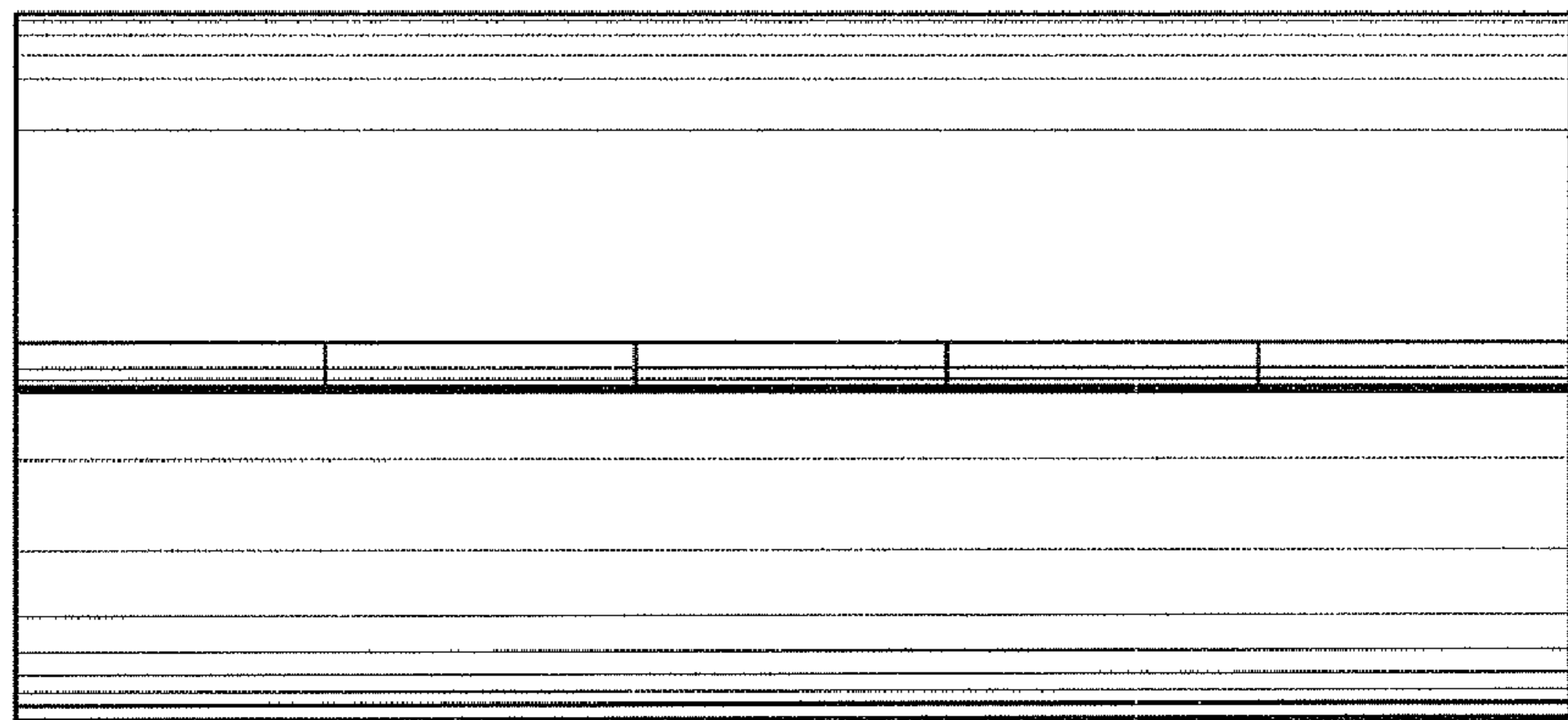


FIG. 5

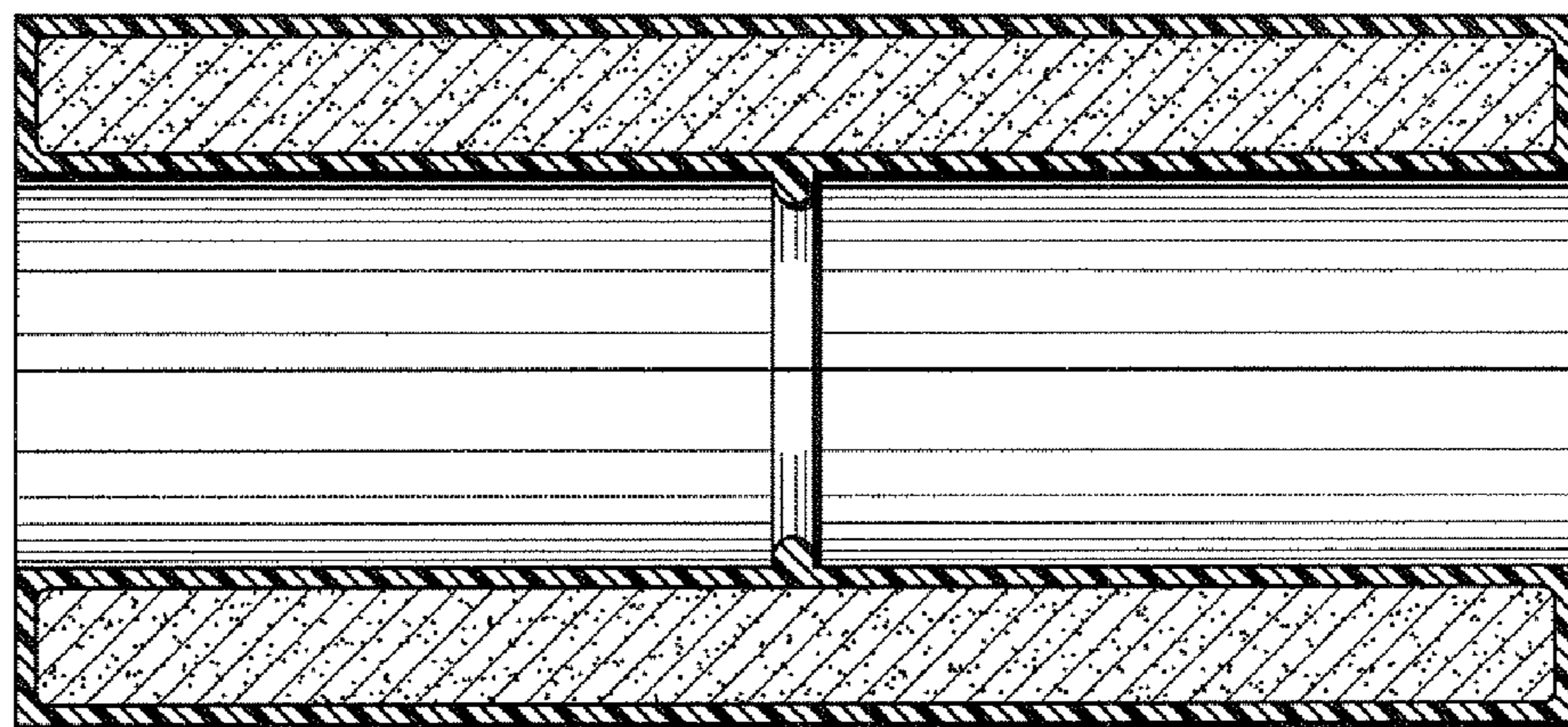
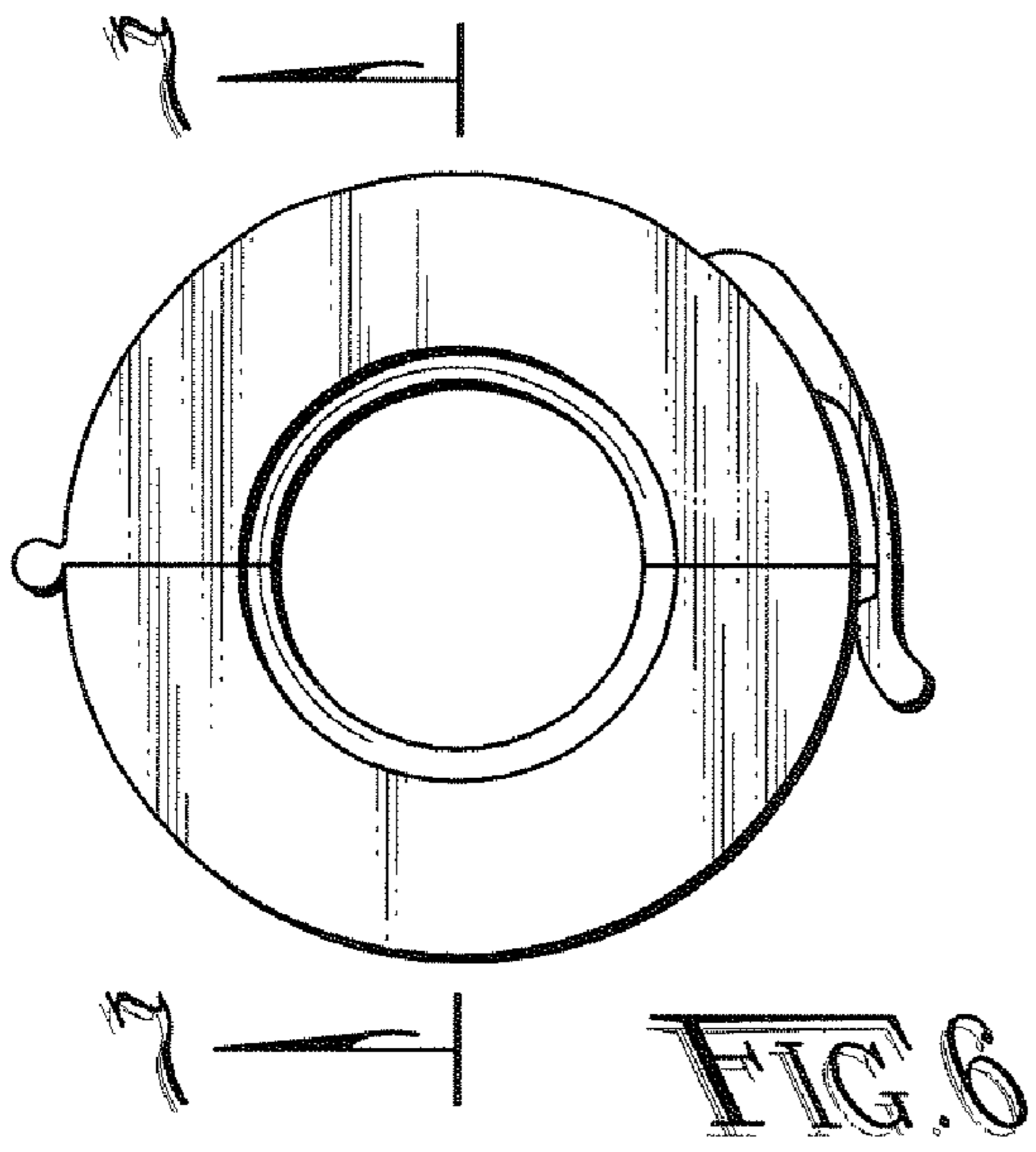


FIG. 7