

US00D602660S

(12) **United States Design Patent**  
**Hinder et al.**

(10) **Patent No.:** **US D602,660 S**

(45) **Date of Patent:** **\*\* \*Oct. 20, 2009**

(54) **MOUNT FOR FLOOR SCRUBBING IMPLEMENT**

(75) Inventors: **Walter Hinder**, Bronschhofen (CH);  
**Heinrich-Tito Mayer**, Jonschwil (CH);  
**Daniel Meier**, Wängi (CH)

(73) Assignee: **JohnsonDiversey, Inc.**, Sturtevant, WI (US)

(\*) Notice: This patent is subject to a terminal disclaimer.

(\*\*) Term: **14 Years**

(21) Appl. No.: **29/284,857**

(22) Filed: **Sep. 17, 2007**

(51) **LOC (9) Cl.** ..... **15-05**

(52) **U.S. Cl.** ..... **D32/25**

(58) **Field of Classification Search** ..... D32/19,  
D32/21, 22, 35, 1, 15, 16, 25, 20, 40, 50,  
D32/51, 52; 15/320, 321, 323, 353, 208,  
15/228, 231, 229.2, 229.3, 229.4, 322  
See application file for complete search history.

(56) **References Cited**

**U.S. PATENT DOCUMENTS**

168,063 A	9/1875	Taylor	.....	220/62
D250,245 S	11/1978	Bebb	.....	D32/50
4,823,427 A	4/1989	Gibbs et al.	.....	15/247
5,292,582 A	3/1994	Gibbs et al.	.....	442/329
D445,227 S	7/2001	Tintelnot	.....	D32/40
D461,028 S	7/2002	Ng	.....	D32/40
D461,029 S	7/2002	Ng	.....	D32/40
D464,181 S	10/2002	Ng	.....	D32/40
D496,513 S *	9/2004	Tsuda et al.	.....	D32/8
D496,709 S *	9/2004	Suh et al.	.....	D32/6
D517,257 S *	3/2006	Kim et al.	.....	D32/6
D519,247 S *	4/2006	Kim et al.	.....	D32/6
D523,595 S *	6/2006	Carey et al.	.....	D32/6
D528,712 S *	9/2006	Ha et al.	.....	D32/6

D541,492 S *	4/2007	Nam	.....	D32/6
D544,306 S *	6/2007	Festa	.....	D7/524
D544,658 S *	6/2007	Kim et al.	.....	D32/6
D546,007 S *	7/2007	Hinder et al.	.....	D32/25
D549,901 S *	8/2007	Kwon et al.	.....	D32/6
D556,403 S *	11/2007	Hinder et al.	.....	D32/25
D564,144 S *	3/2008	Kwon	.....	D32/6
D582,106 S *	12/2008	Kim et al.	.....	D32/6

\* cited by examiner

*Primary Examiner*—T. Chase Nelson

*Assistant Examiner*—Kathleen M Sims

(74) *Attorney, Agent, or Firm*—Gregory S. Bollis

(57) **CLAIM**

We claim the ornamental design for a mount for floor scrubbing implement, as shown and described.

**DESCRIPTION**

FIG. 1 is a perspective view of a mount for floor scrubbing implement showing our new design.

FIG. 2 is a bottom view thereof.

FIG. 3 is a top view thereof.

FIG. 4 is a front elevation view thereof.

FIG. 5 is a rear elevation view thereof.

FIG. 6 is a left side view thereof.

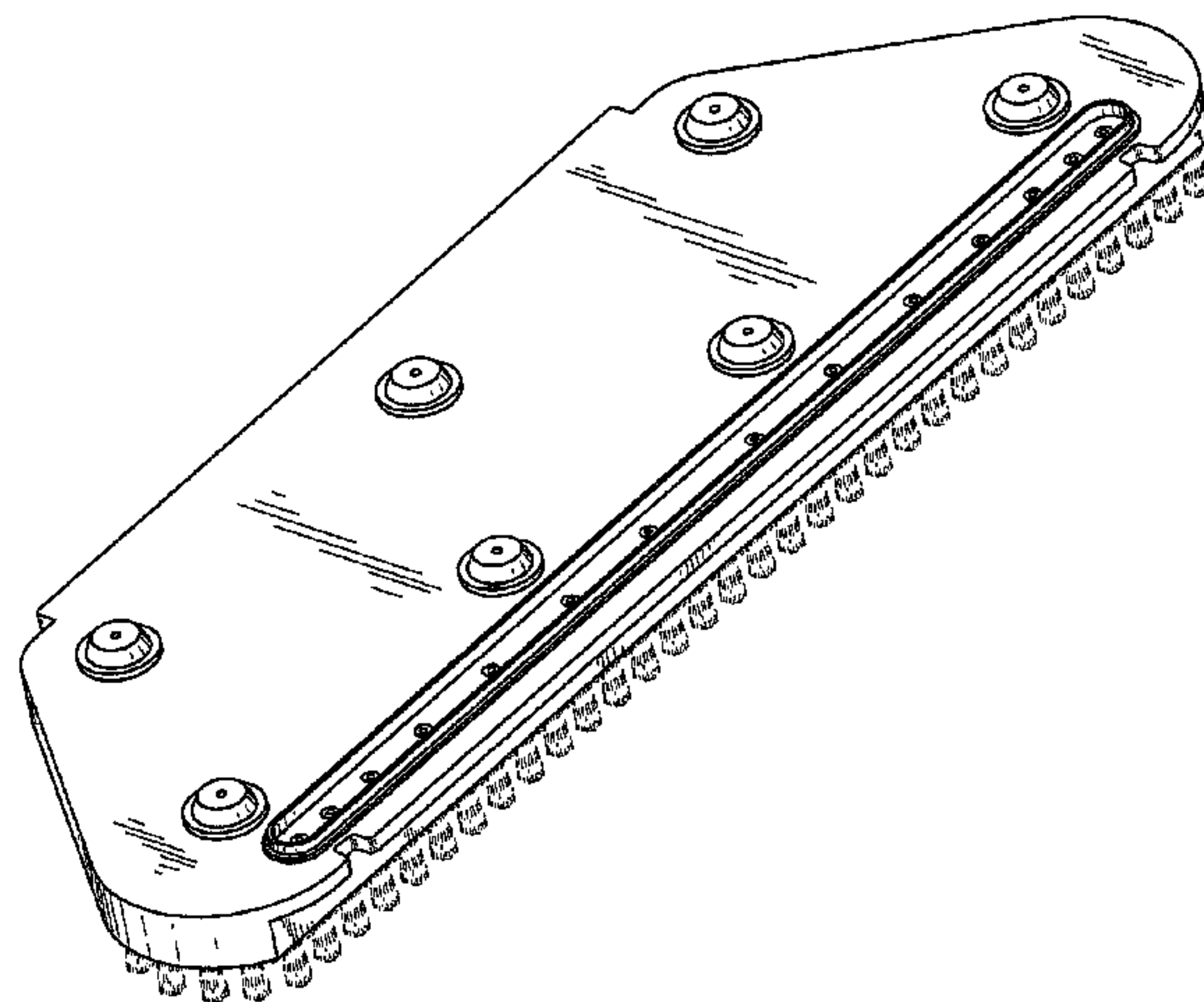
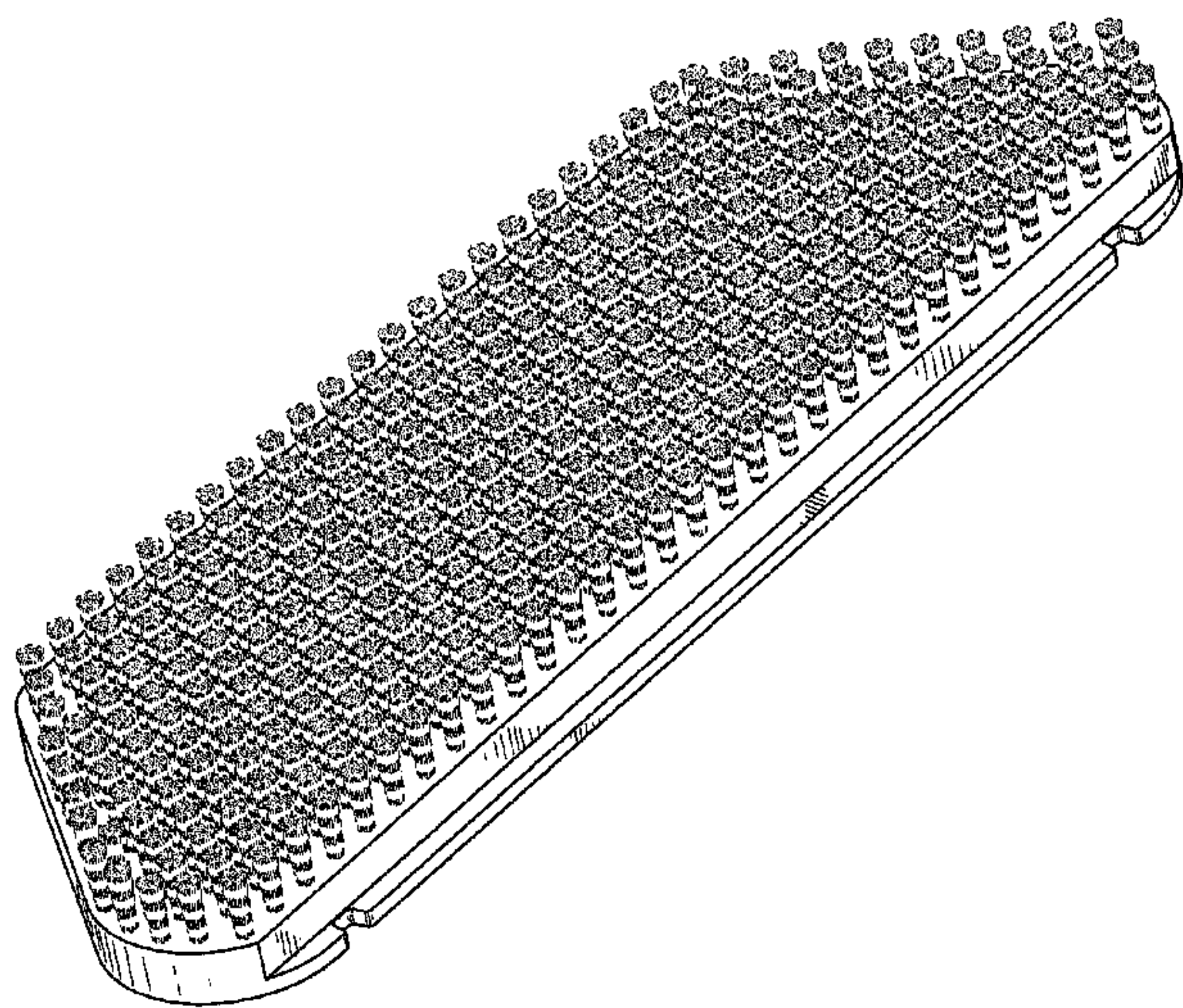
FIG. 7 is a right side view thereof.

FIG. 8 is a top perspective view thereof; and,

FIG. 9 is a right side view thereof shown attached to a floor scrubbing machine.

The present application is directed to the shape and contour of a device for attaching a floor scrubbing implement to a floor scrubbing machine. The broken line showing of a person and a floor scrubbing machine in FIG. 9 is included for the purpose of showing the environment of the mount for floor scrubbing implement and forms no part of the claimed design.

**1 Claim, 7 Drawing Sheets**





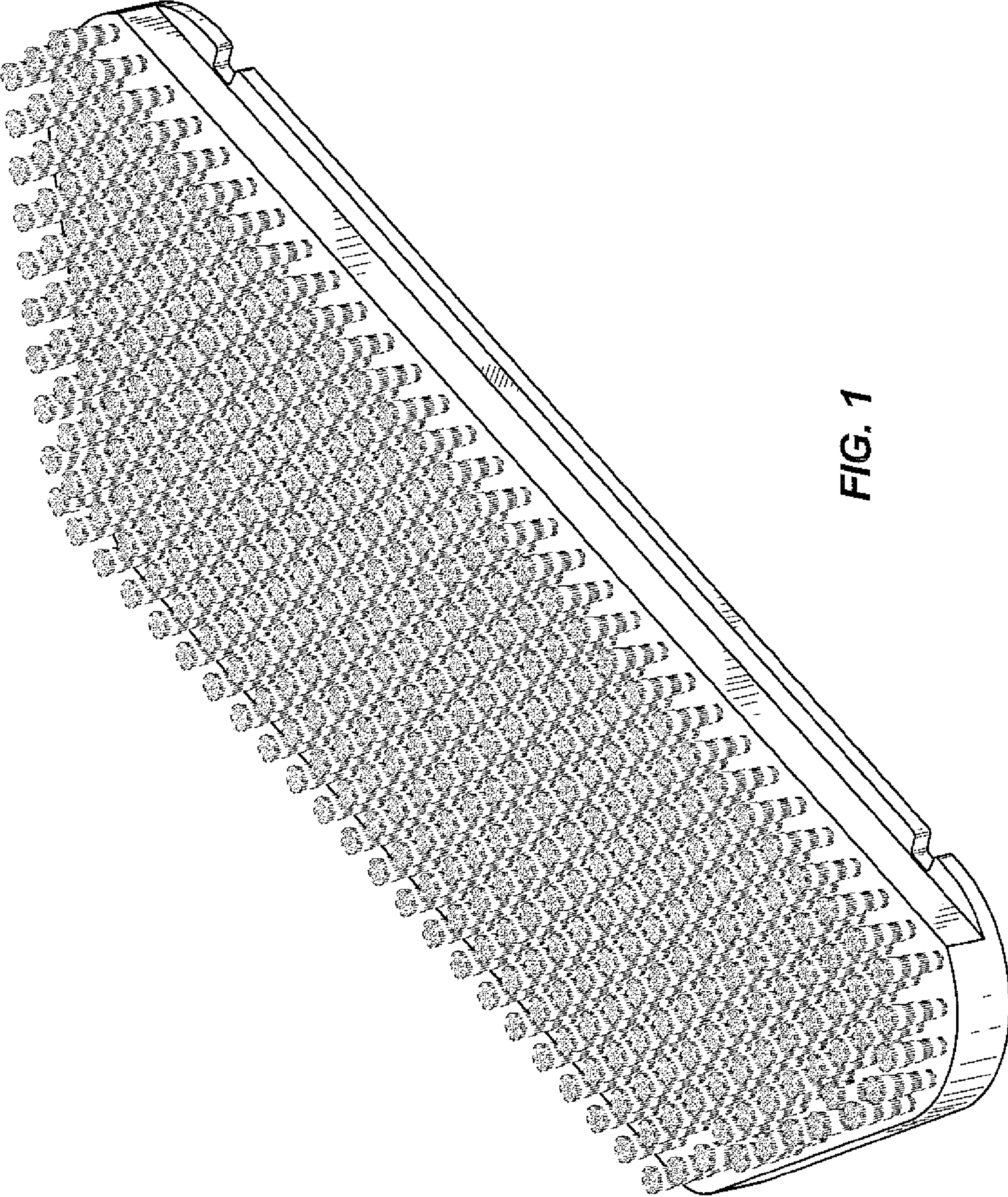


FIG. 1

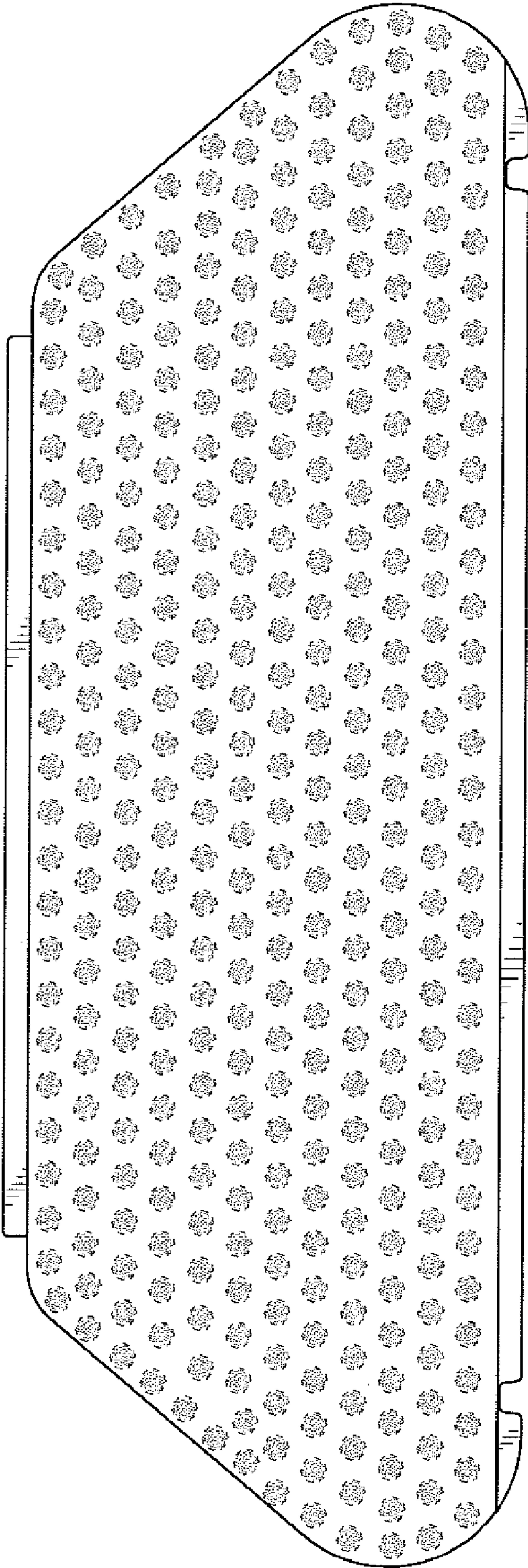


FIG. 2



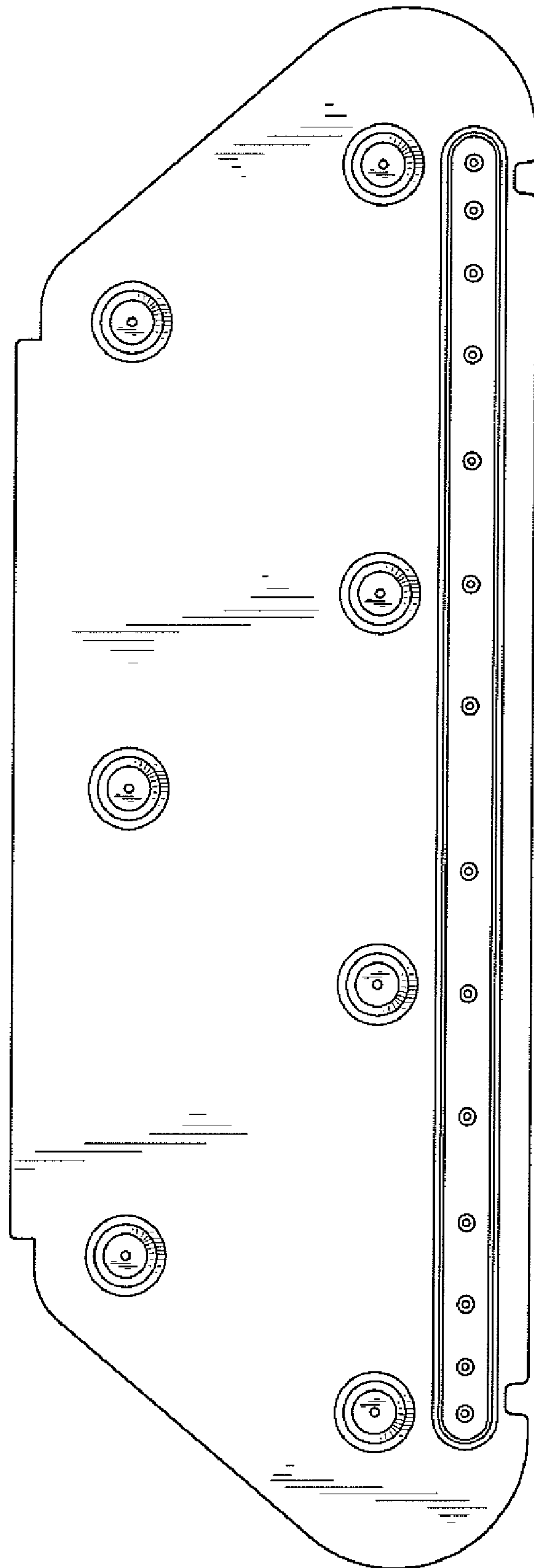


FIG. 3

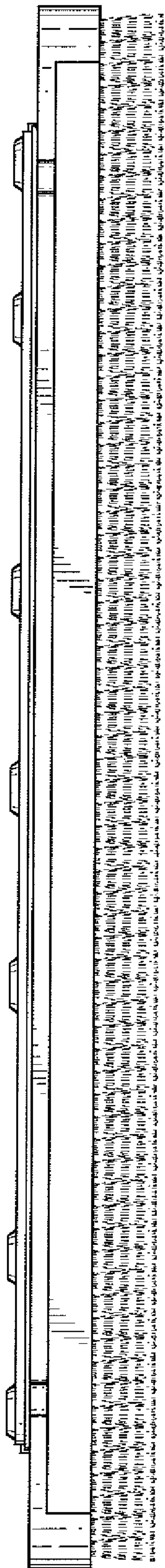


FIG. 4

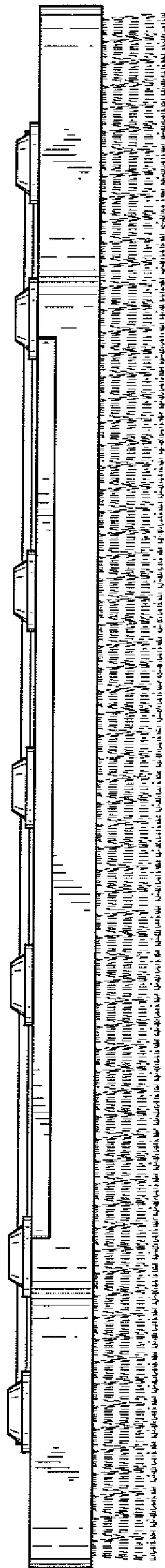
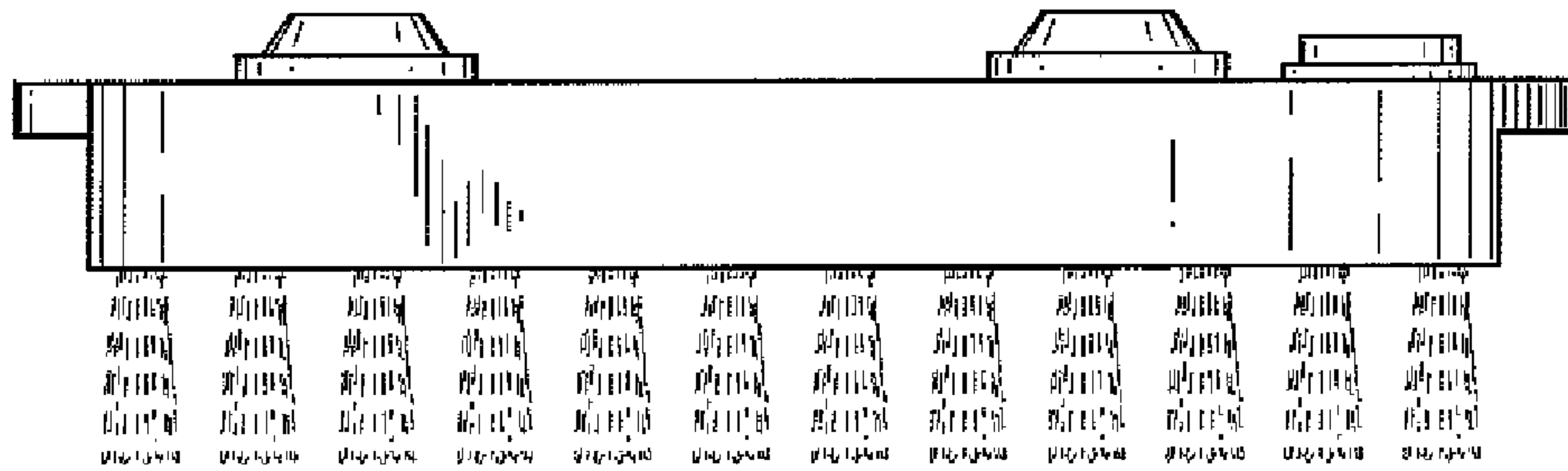
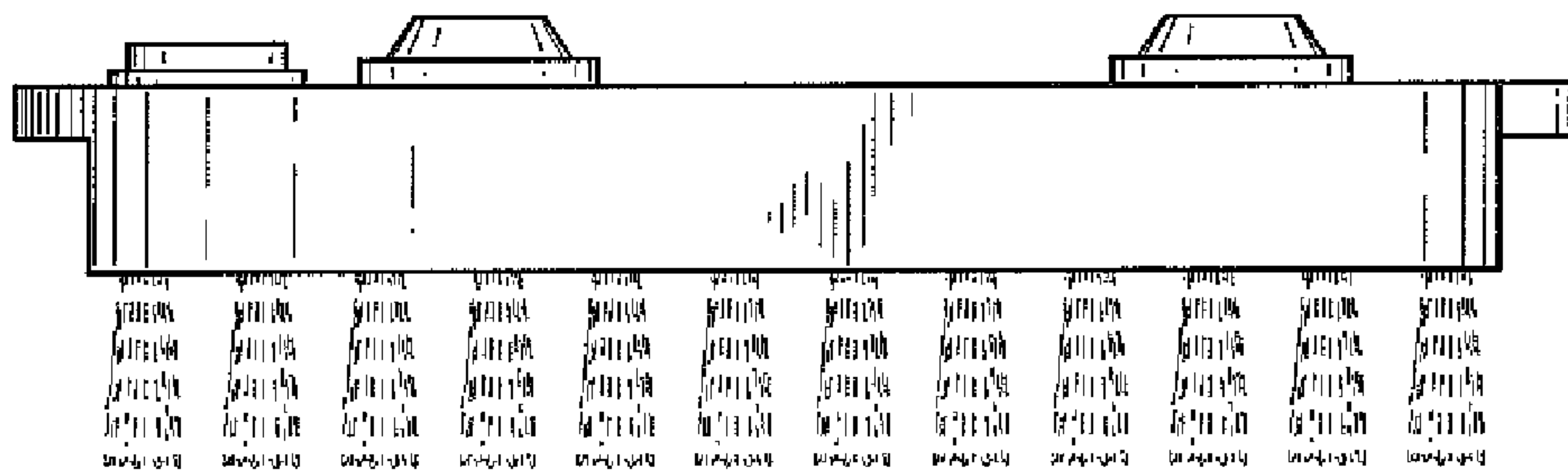


FIG. 5



**FIG. 6**



**FIG. 7**

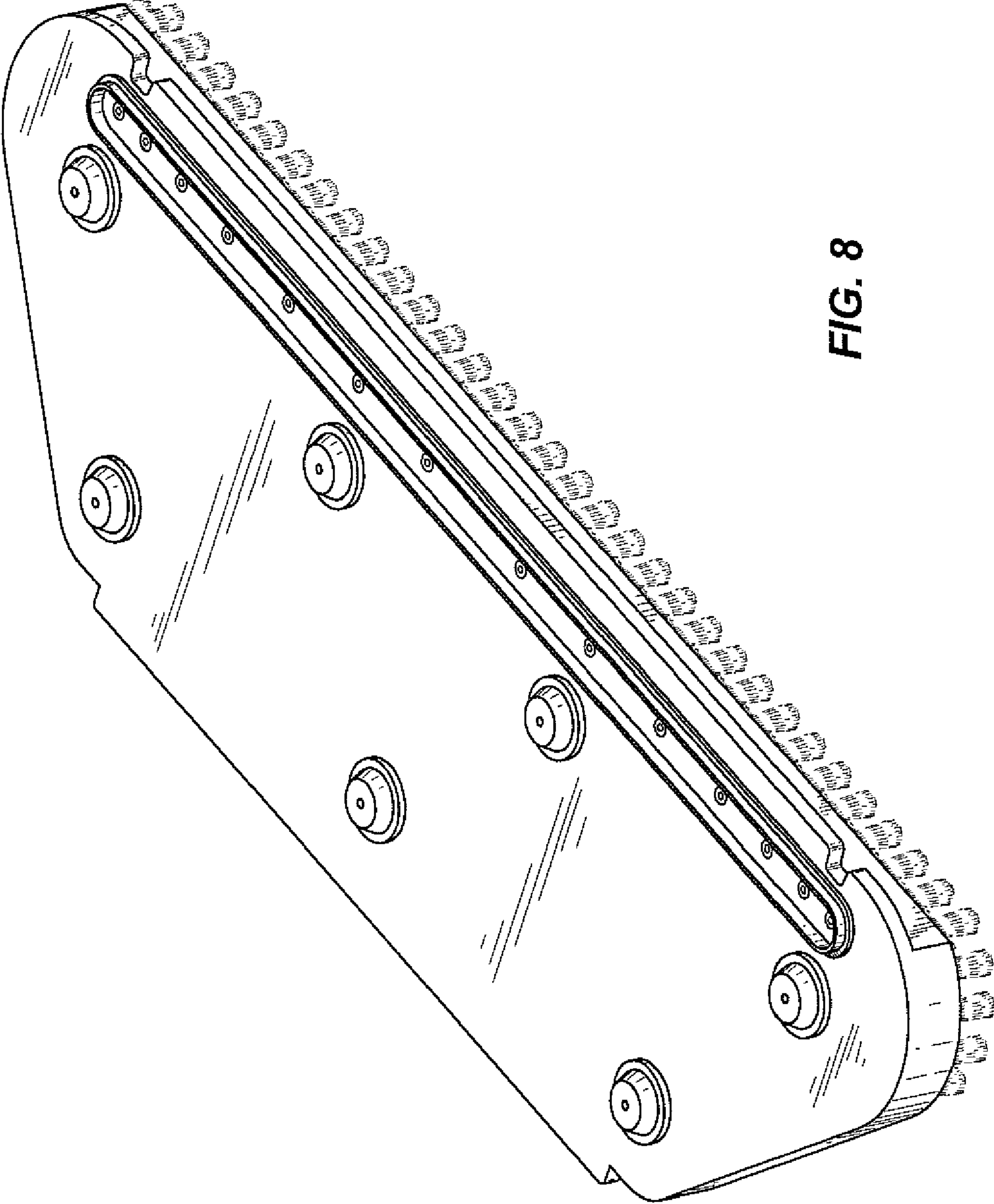
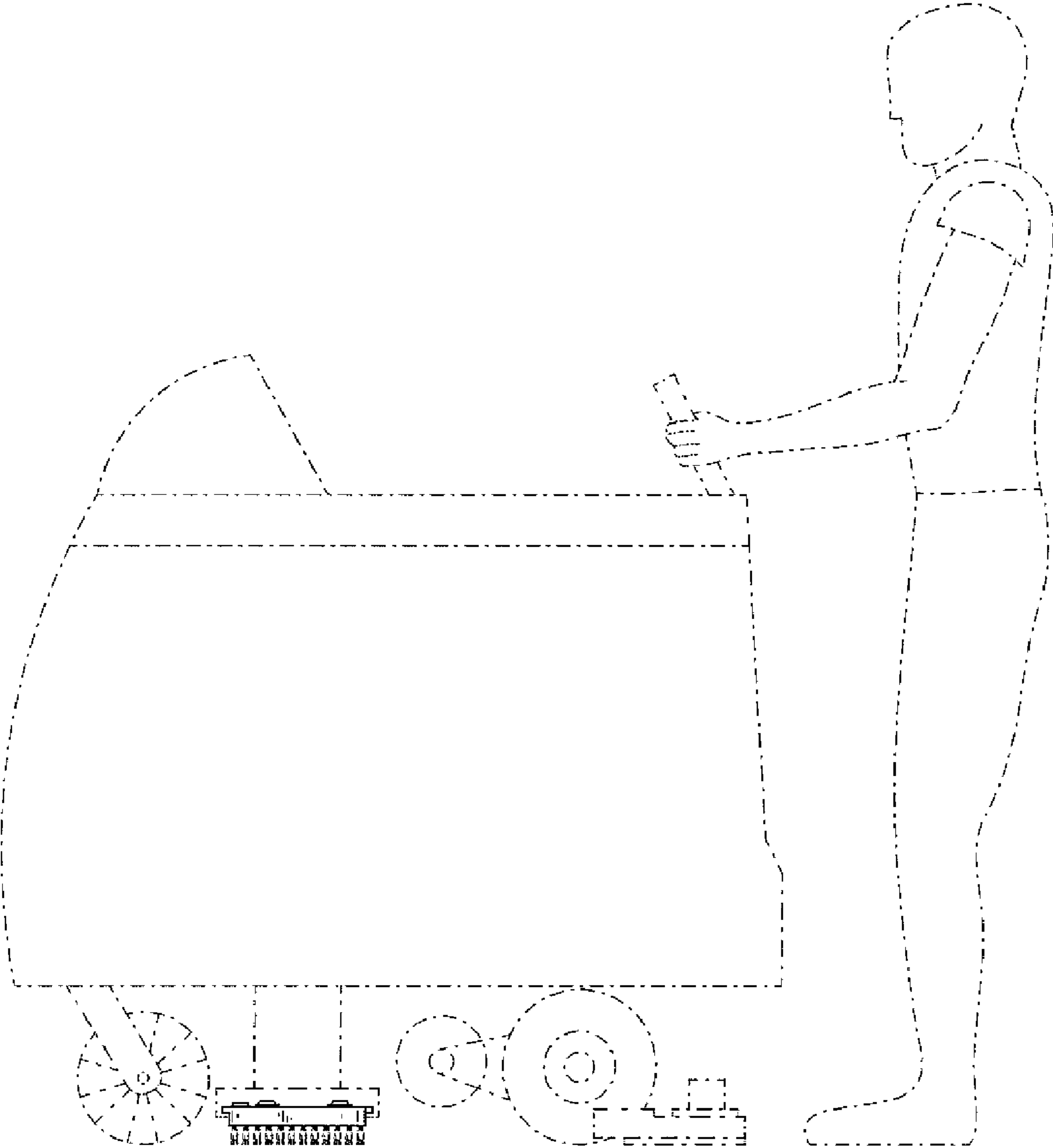


FIG. 8



**FIG. 9**