



US00D602659S

(12) **United States Design Patent**  
**Warburton**

(10) **Patent No.:** **US D602,659 S**  
(45) **Date of Patent:** **\*\* Oct. 20, 2009**

(54) **VACUUM CLEANER**

(75) Inventor: **Graeme Antony Warburton**, Hoogland (NL)

(73) Assignee: **Koninklijke Philips Electronics N.V.**, Eindhoven (NL)

(\*\*) Term: **14 Years**

(21) Appl. No.: **29/326,724**

(22) Filed: **Oct. 23, 2008**

(30) **Foreign Application Priority Data**

Apr. 25, 2008 (EM) ..... 000924816-0002

(51) **LOC (9) Cl.** ..... **15-05**

(52) **U.S. Cl.** ..... **D32/21**

(58) **Field of Classification Search** ..... D32/1, D32/21, 31; 15/327.1-327.7, 340.2, 412, 15/320-321, 329, 323, 246.2, 353; 417/234; 55/459.1, DIG. 3, 345, 337, 429, 460; 95/271; 210/512.1

See application file for complete search history.

(56) **References Cited**

**U.S. PATENT DOCUMENTS**

D394,527 S \* 5/1998 Pochopien et al. .... D32/21  
D399,617 S \* 10/1998 Fujita ..... D32/21  
D417,046 S \* 11/1999 Tsuruha et al. .... D32/21

D430,366 S \* 8/2000 Sato et al. .... D32/21  
D459,040 S \* 6/2002 Oh ..... D32/21  
D463,077 S \* 9/2002 Kim ..... D32/21  
D485,653 S \* 1/2004 Warburton ..... D32/21  
D490,580 S \* 5/2004 Choi ..... D32/21  
D518,609 S \* 4/2006 Ågren et al. .... D32/21  
D520,198 S \* 5/2006 Sung ..... D32/21  
D523,197 S \* 6/2006 Frederick et al. .... D32/32  
D539,492 S \* 3/2007 Konno ..... D32/21  
D552,810 S \* 10/2007 Shin ..... D32/21  
D553,811 S \* 10/2007 Shin ..... D32/21  
D556,398 S \* 11/2007 Shin ..... D32/21

\* cited by examiner

*Primary Examiner*—Ruth McInroy

(57) **CLAIM**

The ornamental design for a vacuum cleaner, as shown.

**DESCRIPTION**

FIG. 1 is a perspective view of a vacuum cleaner showing my new design;

FIG. 2 is a front elevational view thereof;

FIG. 3 is a rear elevational view thereof;

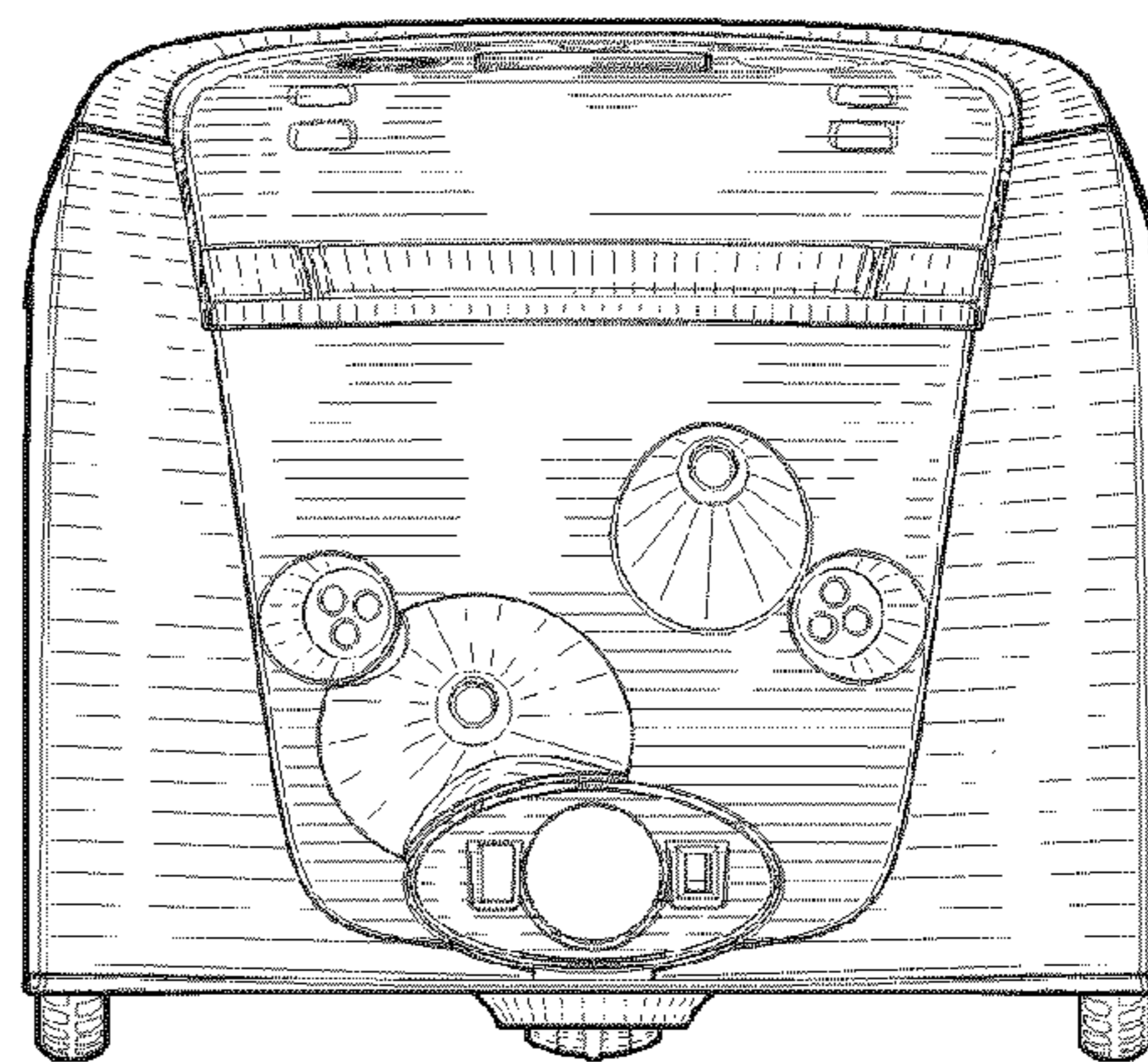
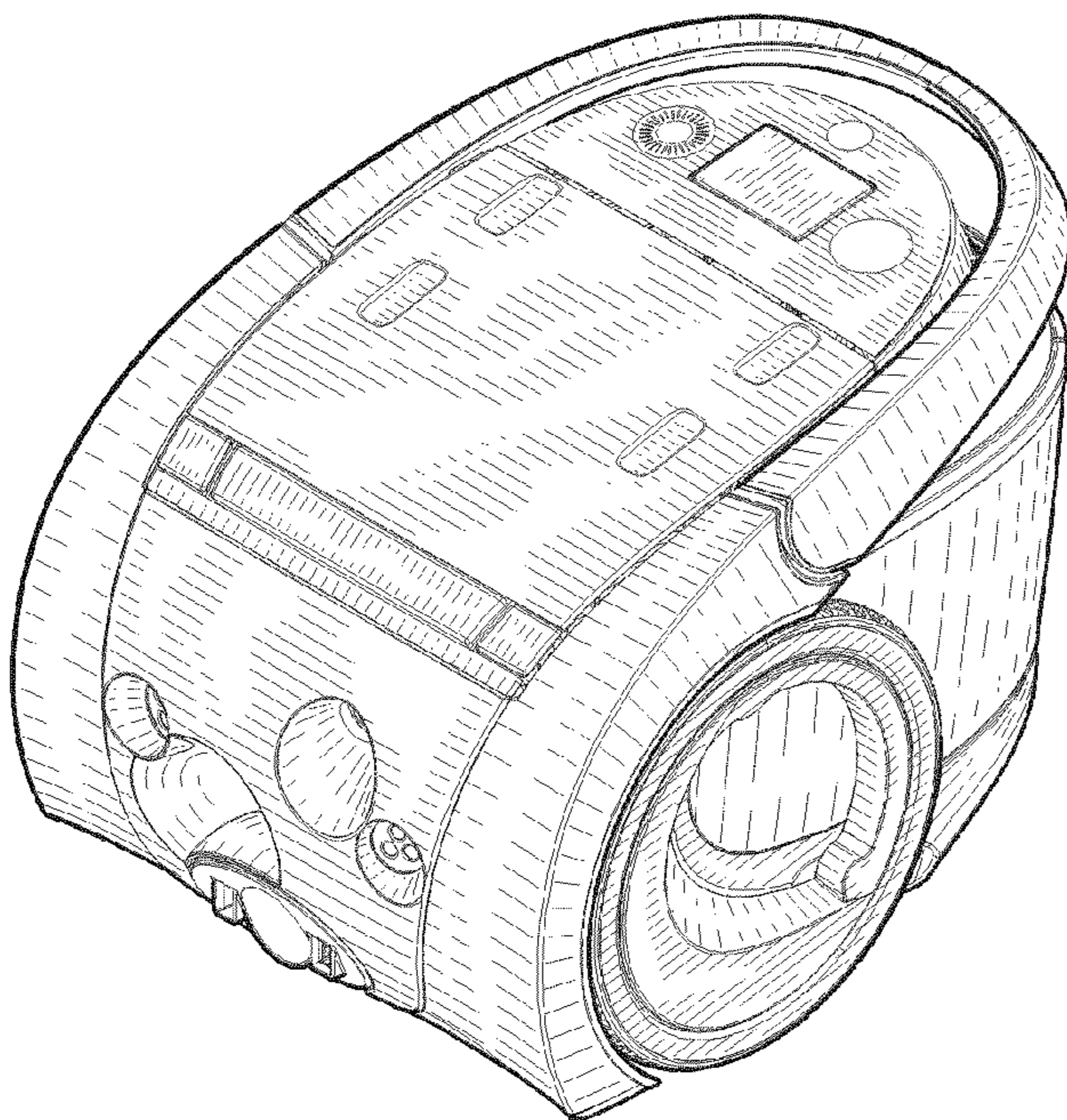
FIG. 4 is a right side elevational view thereof;

FIG. 5 is a left side elevational view thereof;

FIG. 6 is a top plan view thereof; and,

FIG. 7 is a bottom plan view thereof.

**1 Claim, 4 Drawing Sheets**





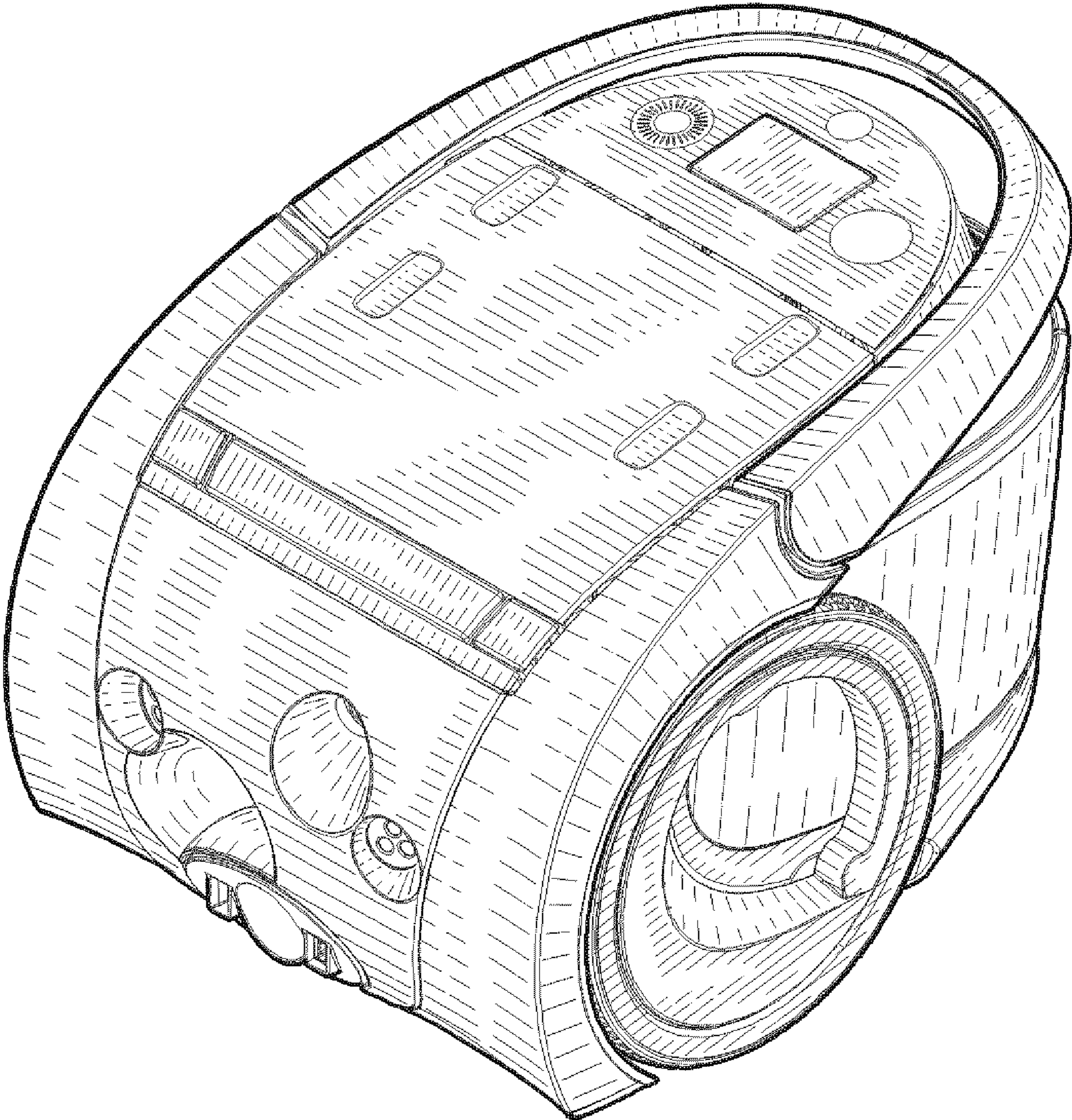


FIG. 1

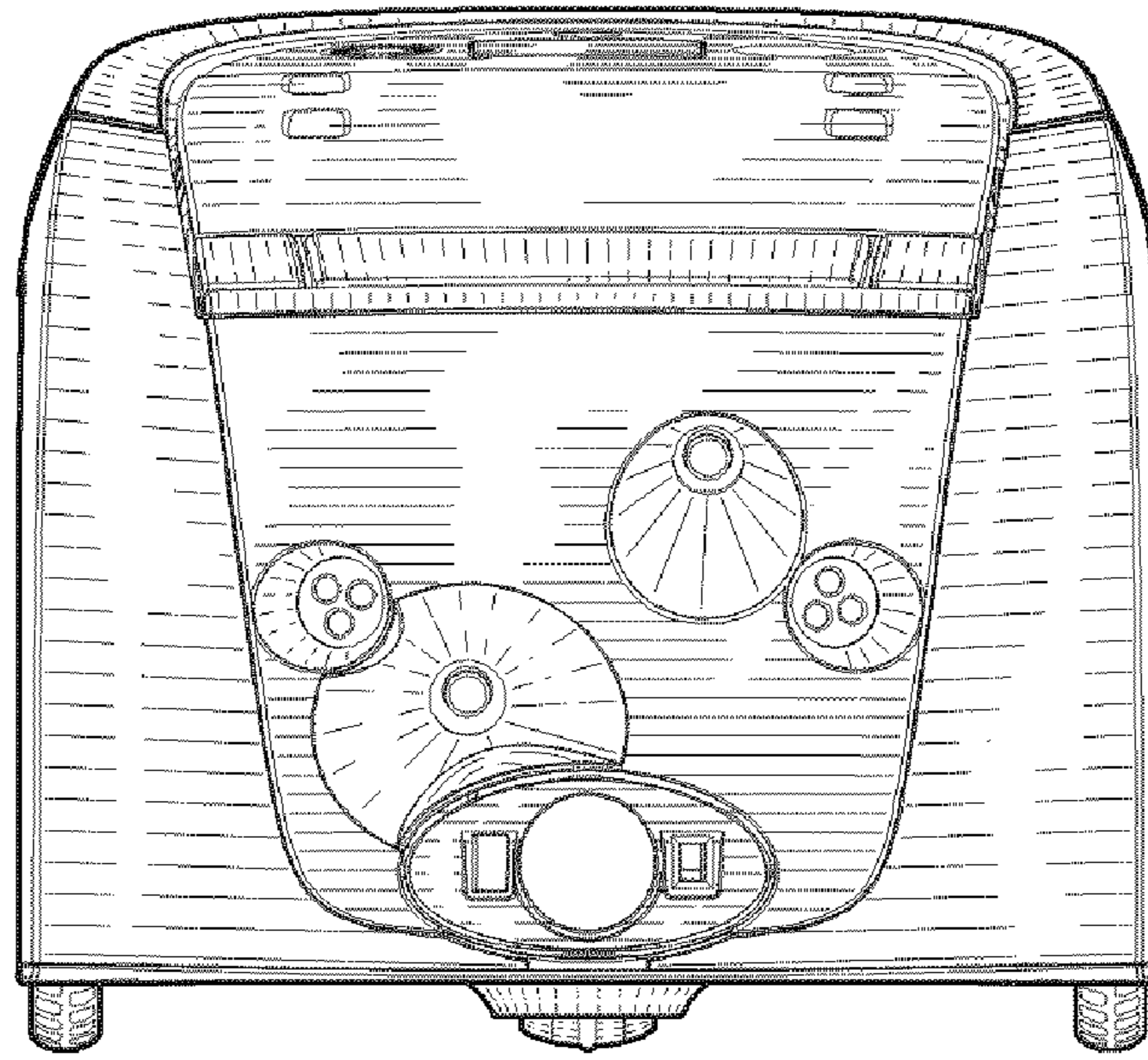


FIG. 2

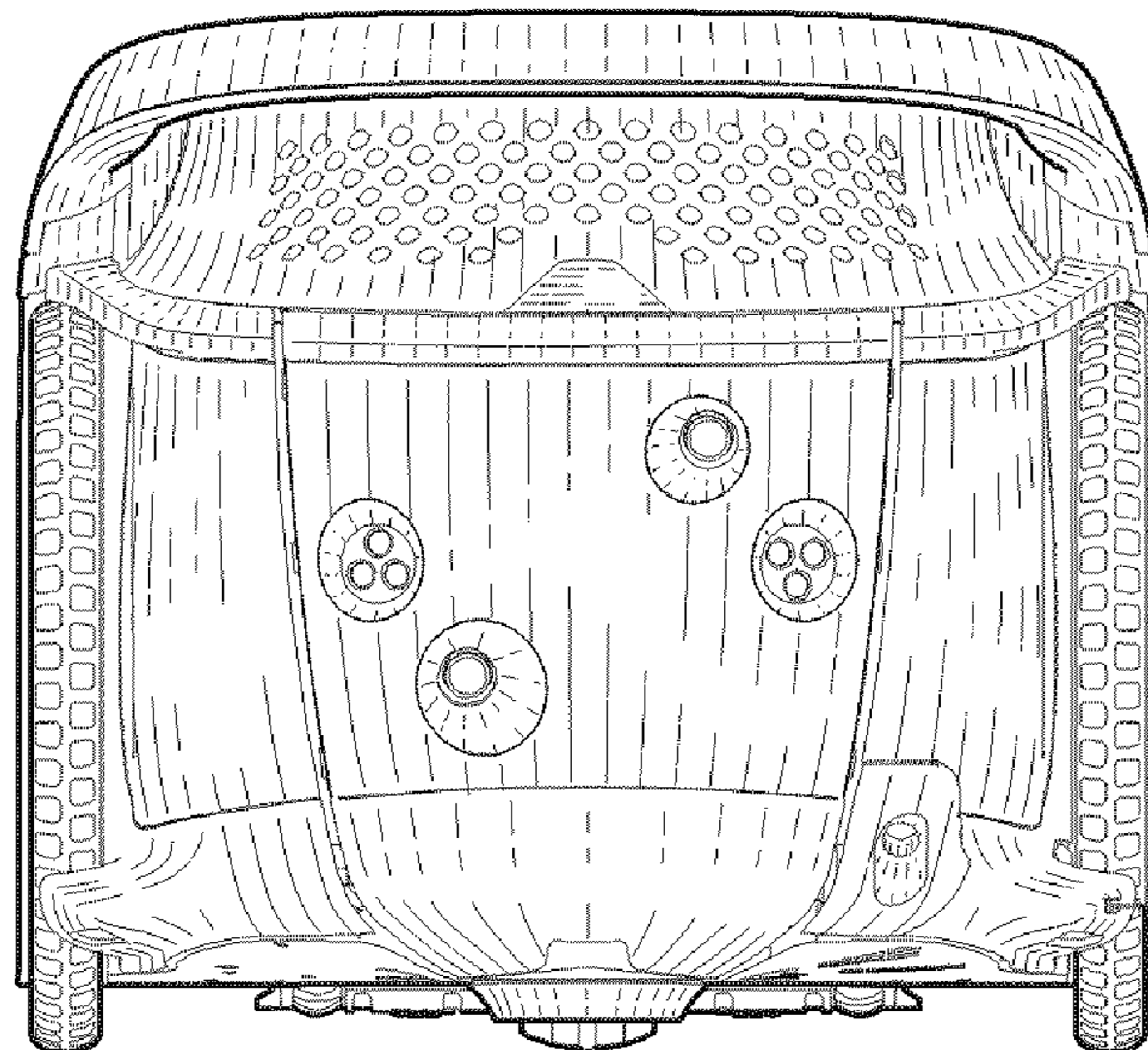


FIG. 3



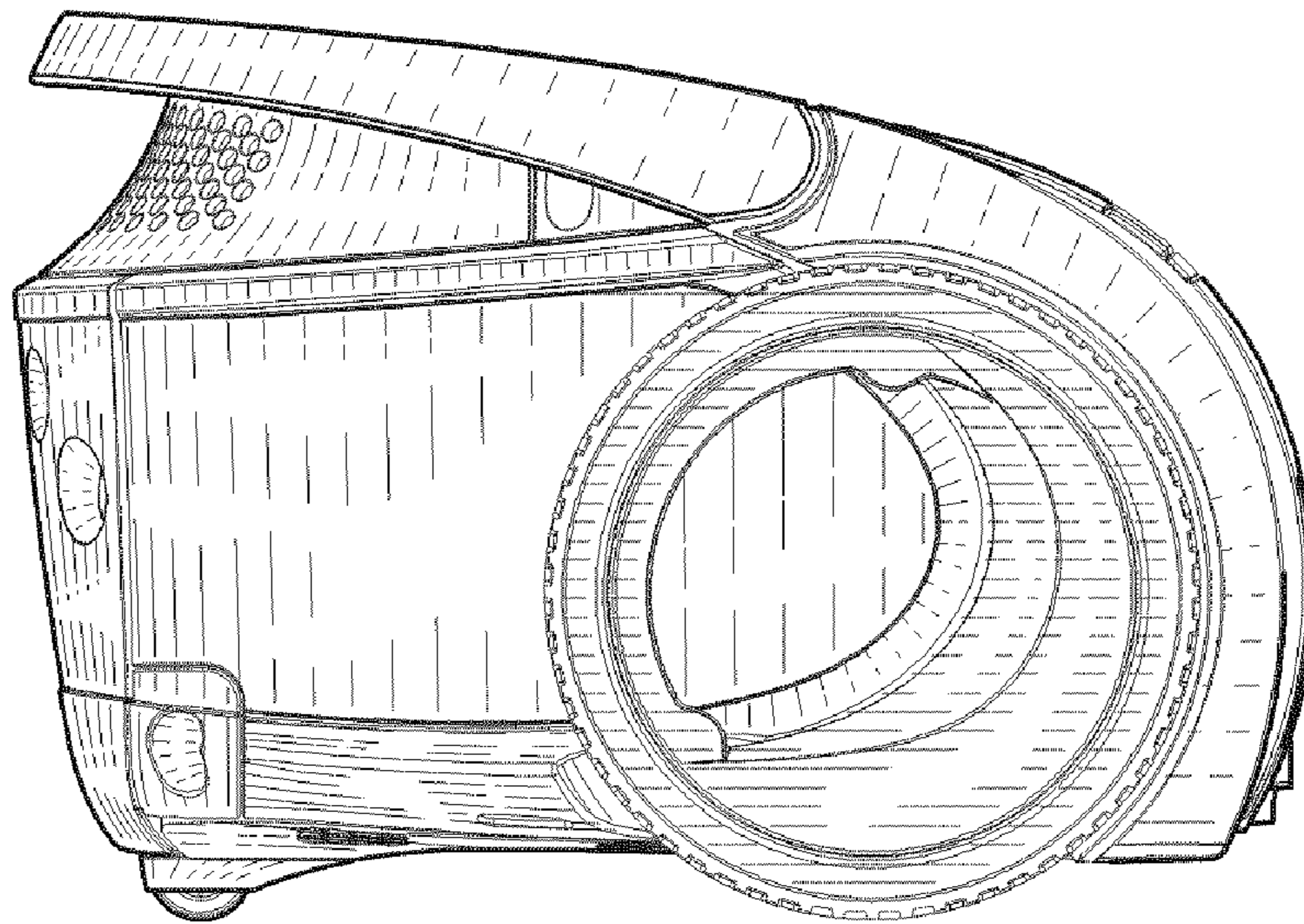


FIG. 4

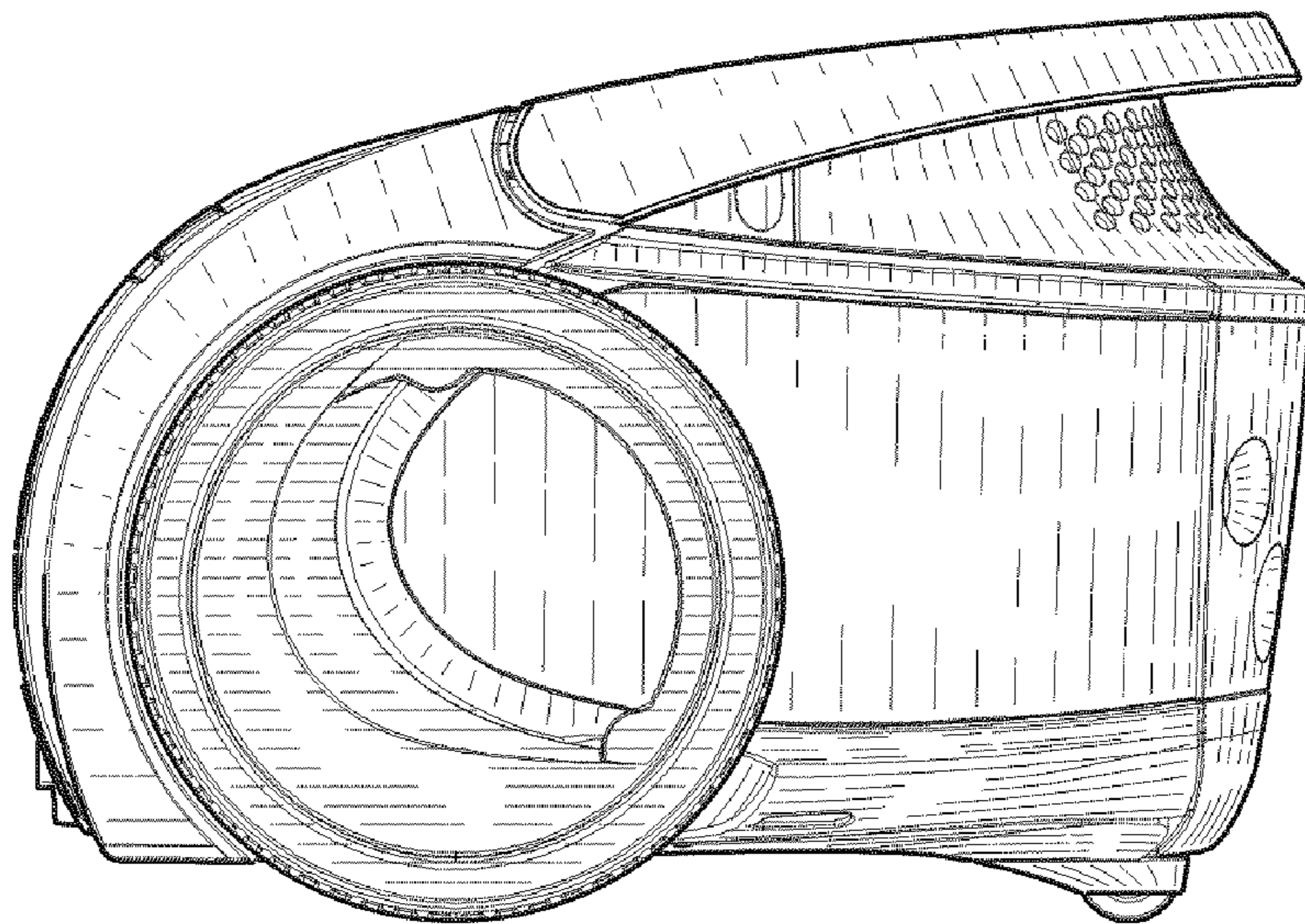


FIG. 5

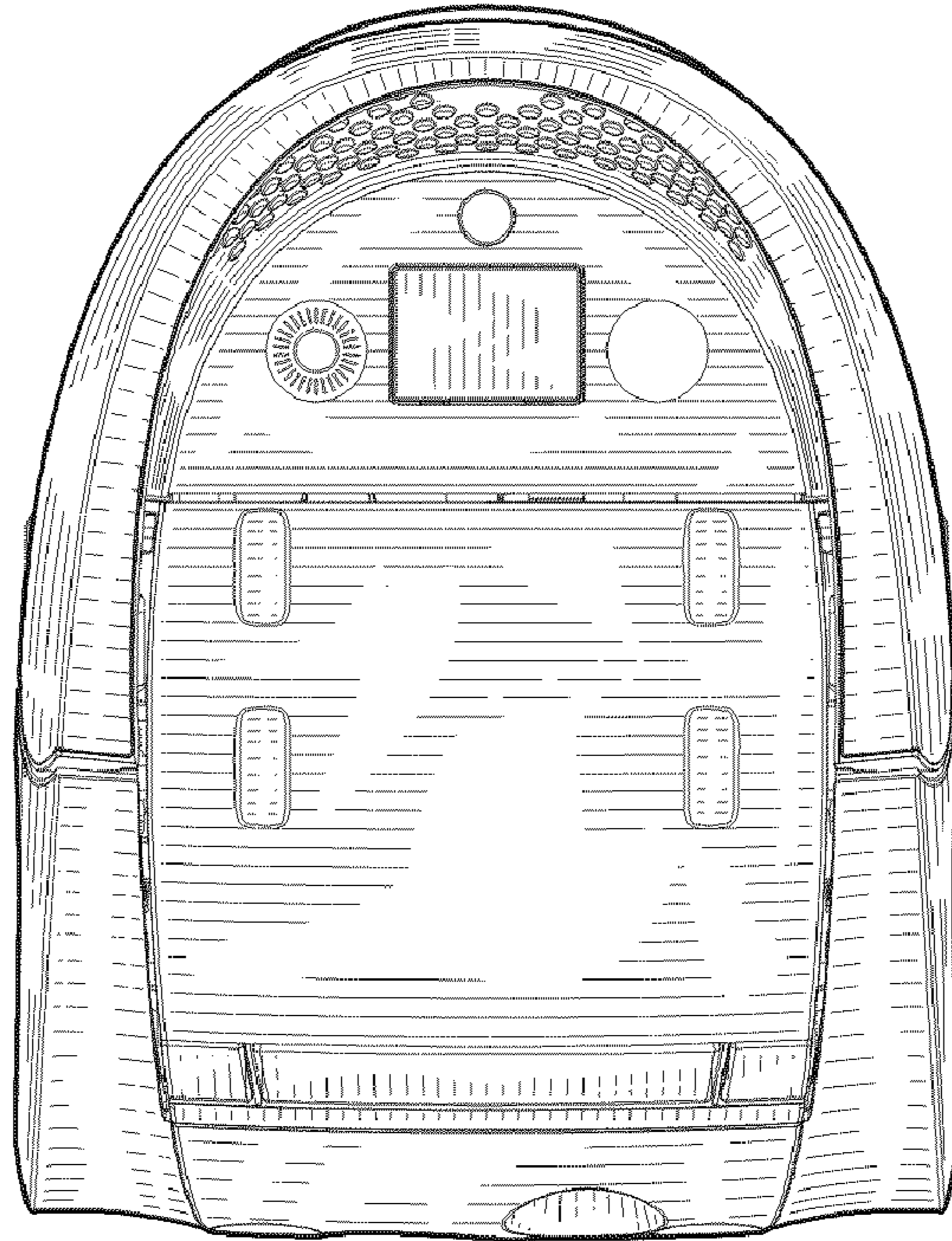


FIG. 6

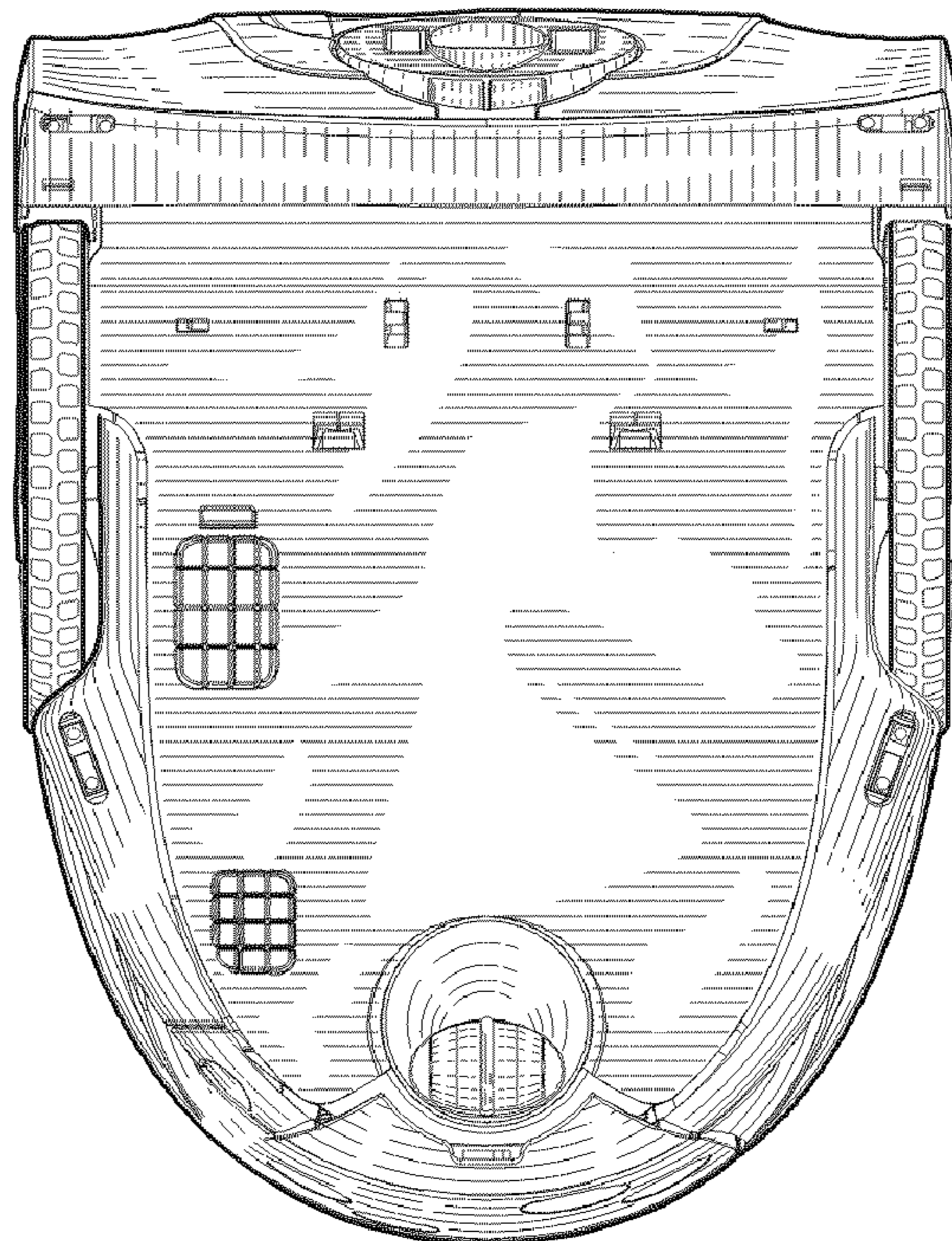


FIG. 7