



US00D602658S

(12) **United States Design Patent**  
**Jordana**

(10) **Patent No.:** **US D602,658 S**

(45) **Date of Patent:** **\*\* Oct. 20, 2009**

(54) **VACUUM CLEANER**

D556,400 S \* 11/2007 Houghton ..... D32/21  
D563,614 S \* 3/2008 Crevling et al. .... D32/21

(75) Inventor: **Luis Moreno Jordana**, Vitorria Alava (ES)

\* cited by examiner

(73) Assignee: **Celya, Emparanza Y Galdos Internacional, S.A.**, Vitoria (Alava) (ES)

*Primary Examiner*—Ruth McInroy

(74) *Attorney, Agent, or Firm*—Knobbe, Martens, Olson & Bear LLP

(\*\*) Term: **14 Years**

(57) **CLAIM**

(21) Appl. No.: **29/271,895**

The ornamental design for a vacuum cleaner, as shown and described.

(22) Filed: **Jan. 29, 2007**

(30) **Foreign Application Priority Data**

**DESCRIPTION**

Jul. 28, 2006 (EM) ..... 000567748-0001

FIG. 1 is a top view of the canister portion showing my new design;

(51) **LOC (9) Cl.** ..... **15-05**

FIG. 2 is a bottom view of FIG. 1;

(52) **U.S. Cl.** ..... **D32/21**

FIG. 3 is a left side view of FIG. 1;

(58) **Field of Classification Search** ..... D32/21–24,  
D32/31, 34, 16; 15/320–321, 323, 327.1–327.7,  
15/329, 335, 340.2, 351, 353, 361, 410–412;  
55/DIG. 3, 345, 337, 459.1

FIG. 4 is a right side view of FIG. 1;

FIG. 5 is a front view of FIG. 1;

FIG. 6 is a rear view of FIG. 1;

See application file for complete search history.

FIG. 7 is a perspective view of FIG. 1;

(56) **References Cited**

FIG. 8 is a perspective view showing the claim in fully assembled condition, the vacuum head and attachments shown in broken lines form no part of the claimed design;

**U.S. PATENT DOCUMENTS**

D373,665 S \* 9/1996 Nakamura et al. .... D32/21  
D455,529 S \* 4/2002 Wu ..... D32/21  
D456,101 S \* 4/2002 Lee ..... D32/21  
D463,077 S \* 9/2002 Kim ..... D32/21  
D495,455 S \* 8/2004 Brown et al. .... D32/21  
6,934,994 B2 \* 8/2005 Oh et al. .... 15/328  
D520,198 S \* 5/2006 Sung ..... D32/21  
D530,469 S \* 10/2006 Ikeno ..... D32/21  
D556,398 S \* 11/2007 Shin ..... D32/21  
D556,399 S \* 11/2007 Shin ..... D32/21

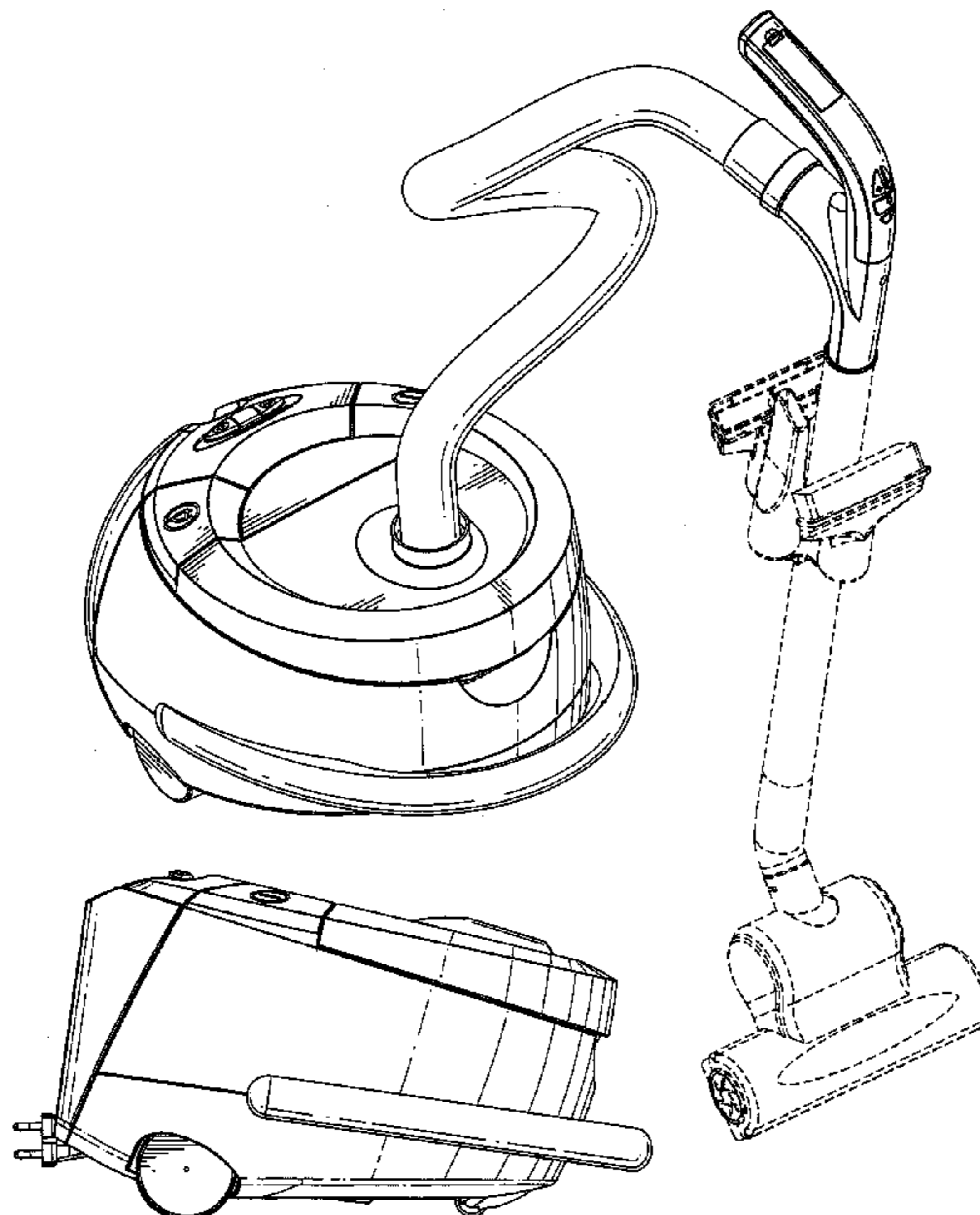
FIG. 9 is a front perspective view of the handle, the portion of the hose is shown broken away for ease of illustration;

FIG. 10 is a side view of FIG. 8; and,

FIG. 11 is a rear perspective view of FIG. 8.

The canister and handle are shown separate in FIGS. 1–7 and 9–11 for clarity of illustration.

**1 Claim, 6 Drawing Sheets**



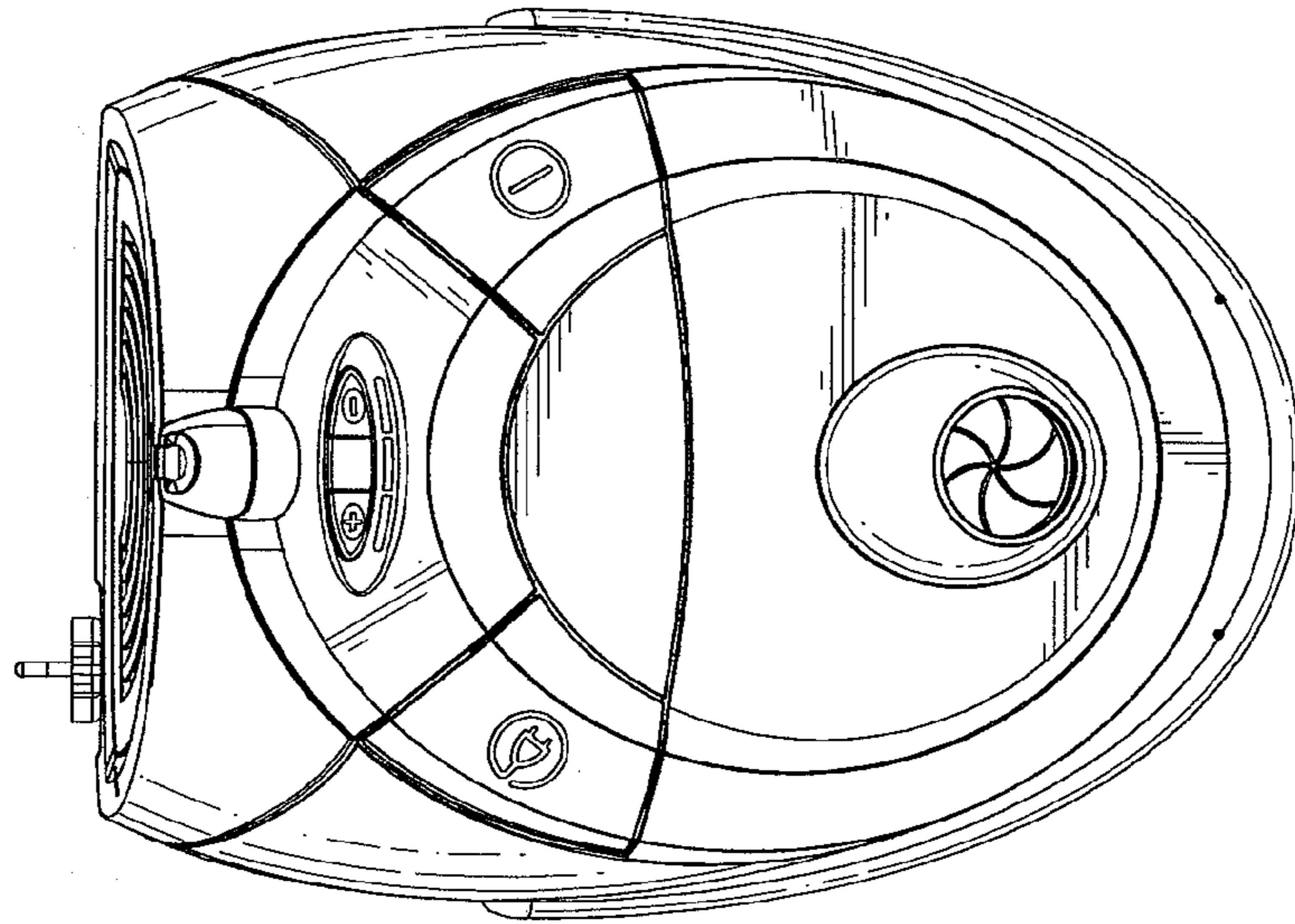


FIG. 1

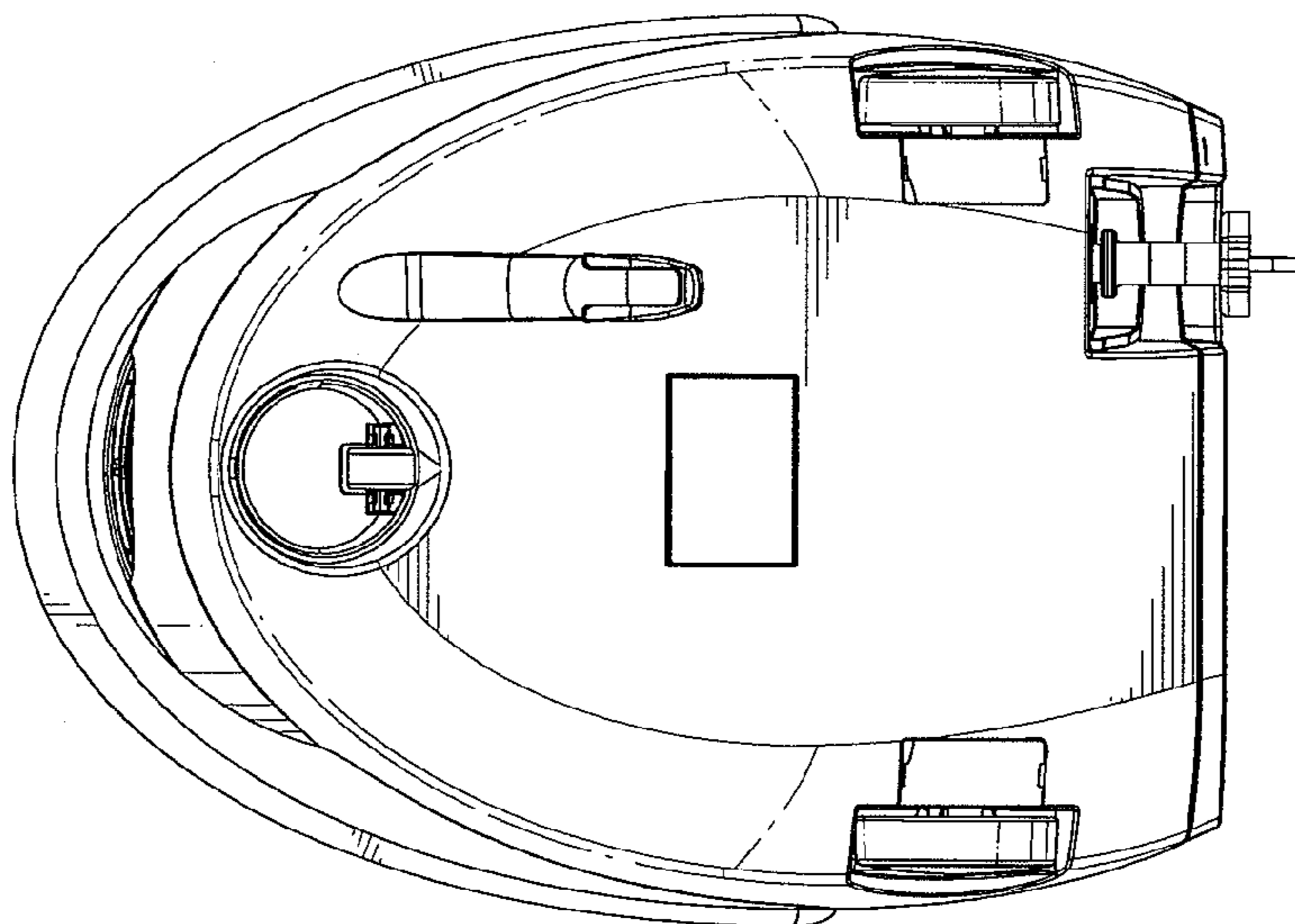


FIG. 2

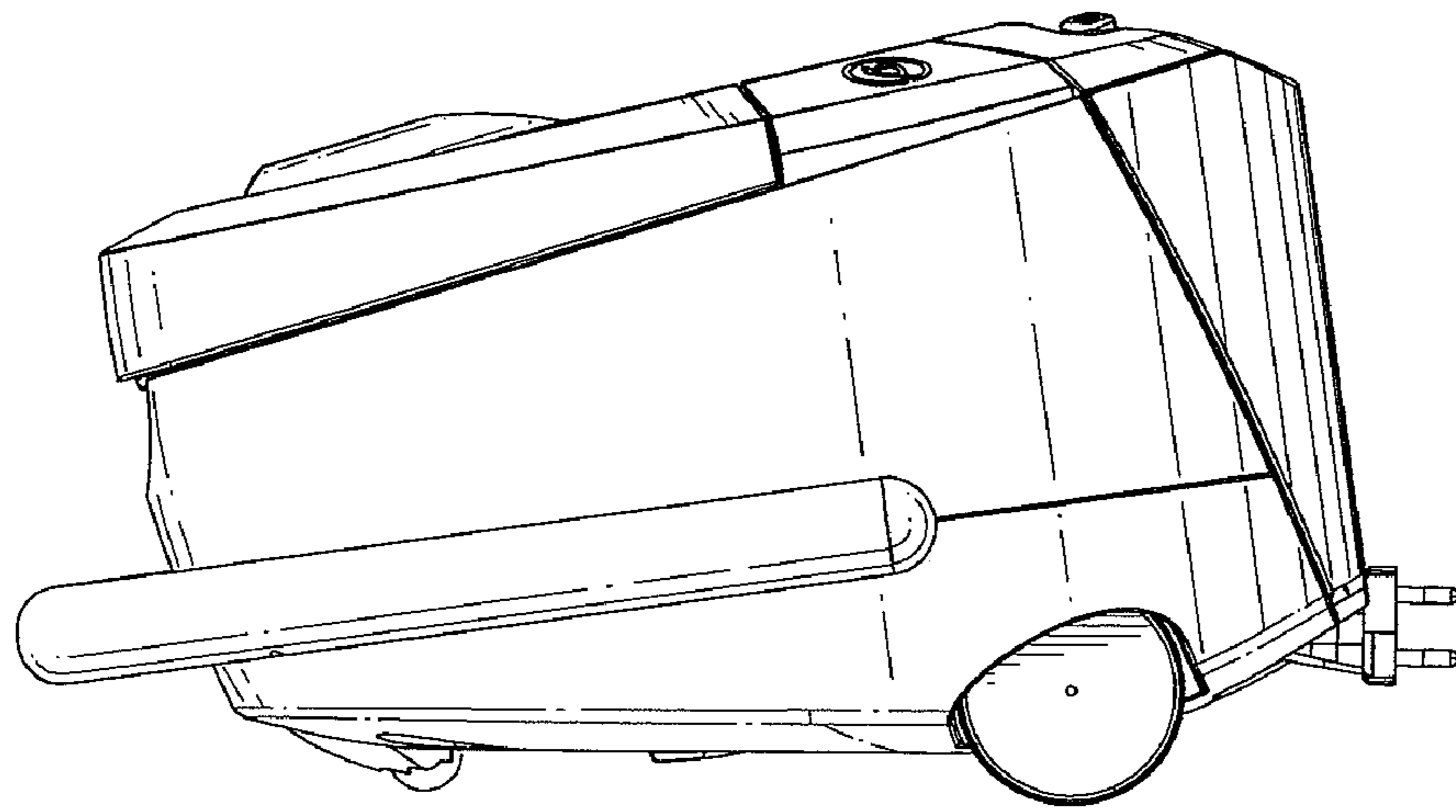


FIG. 3

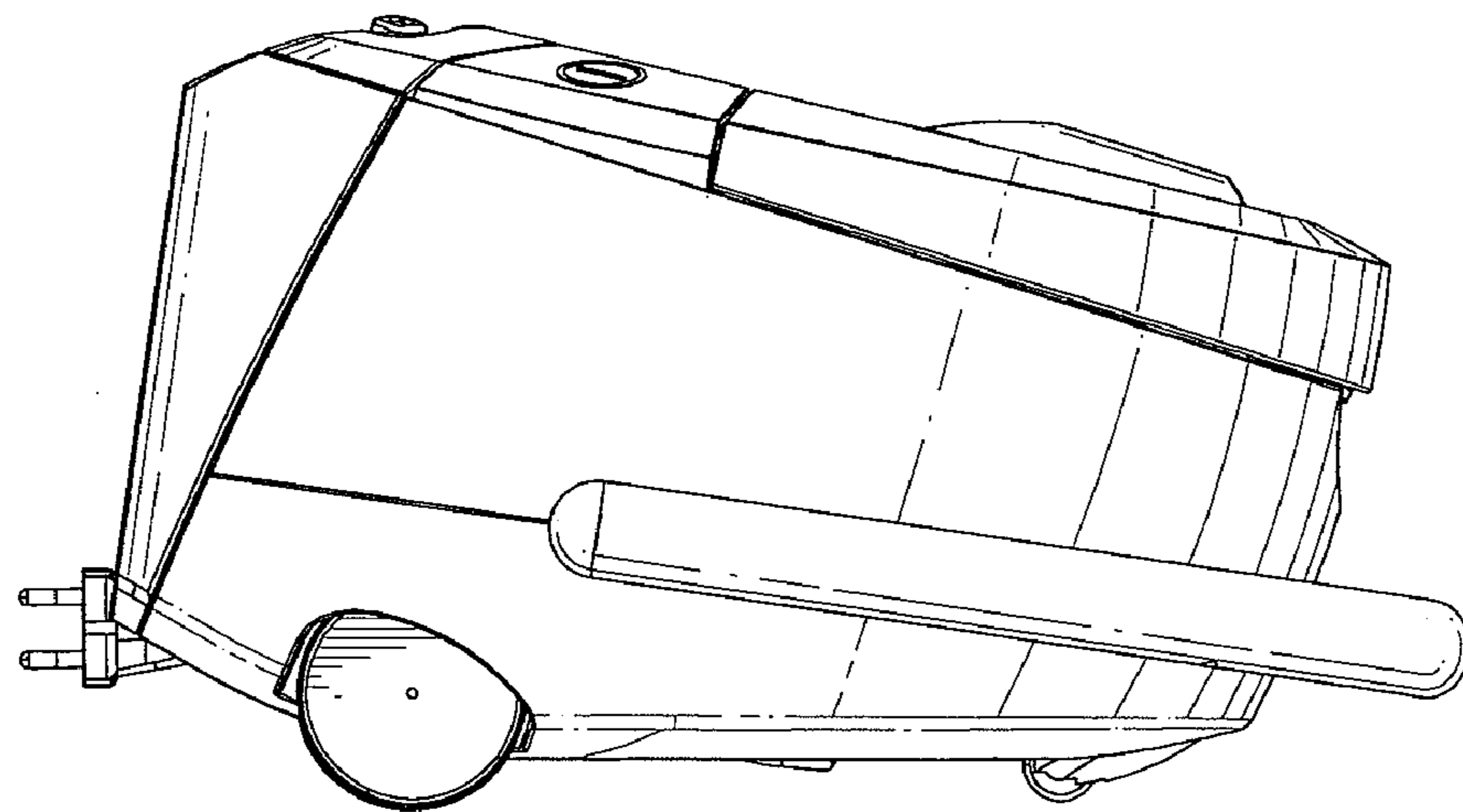


FIG. 4

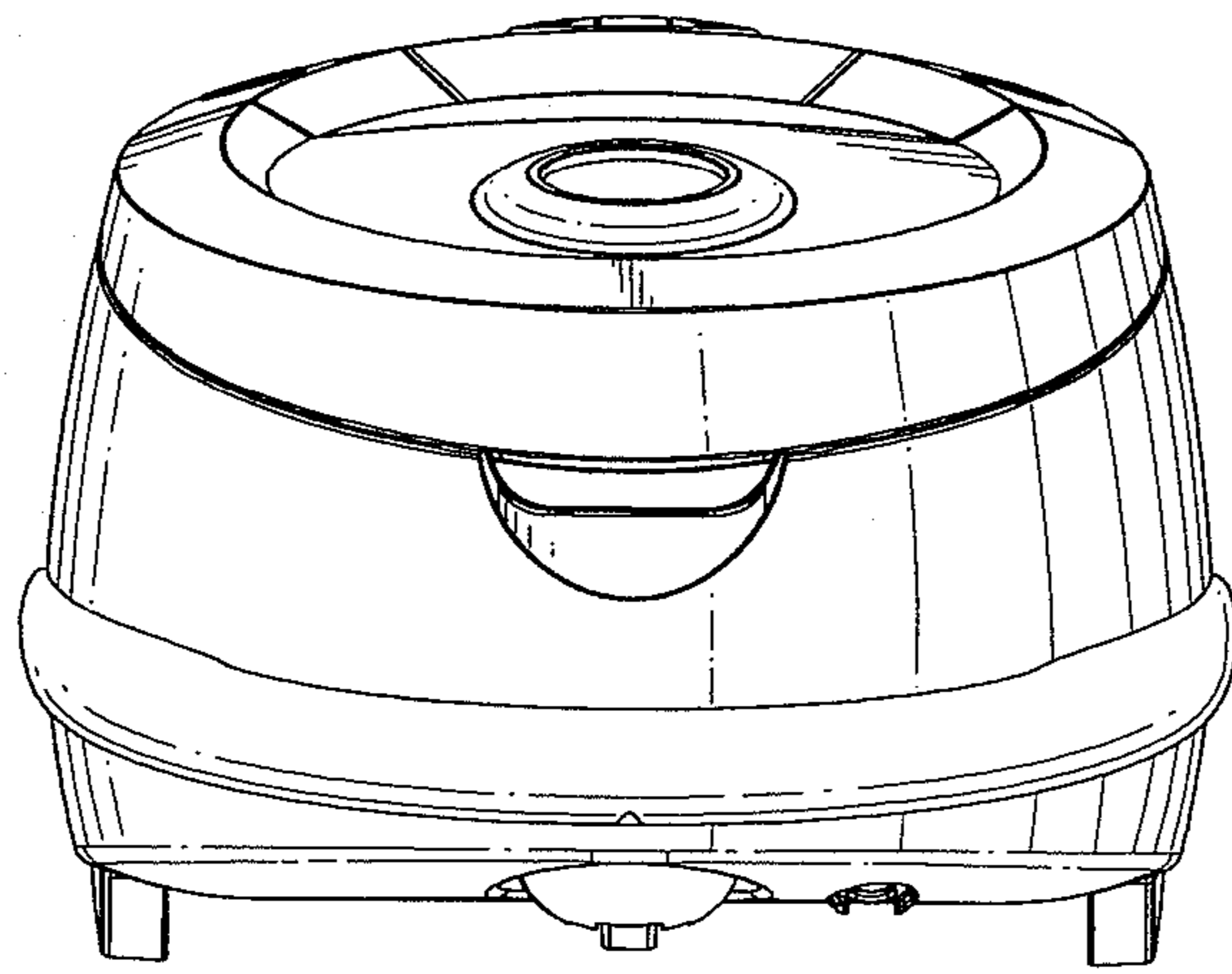


FIG. 5

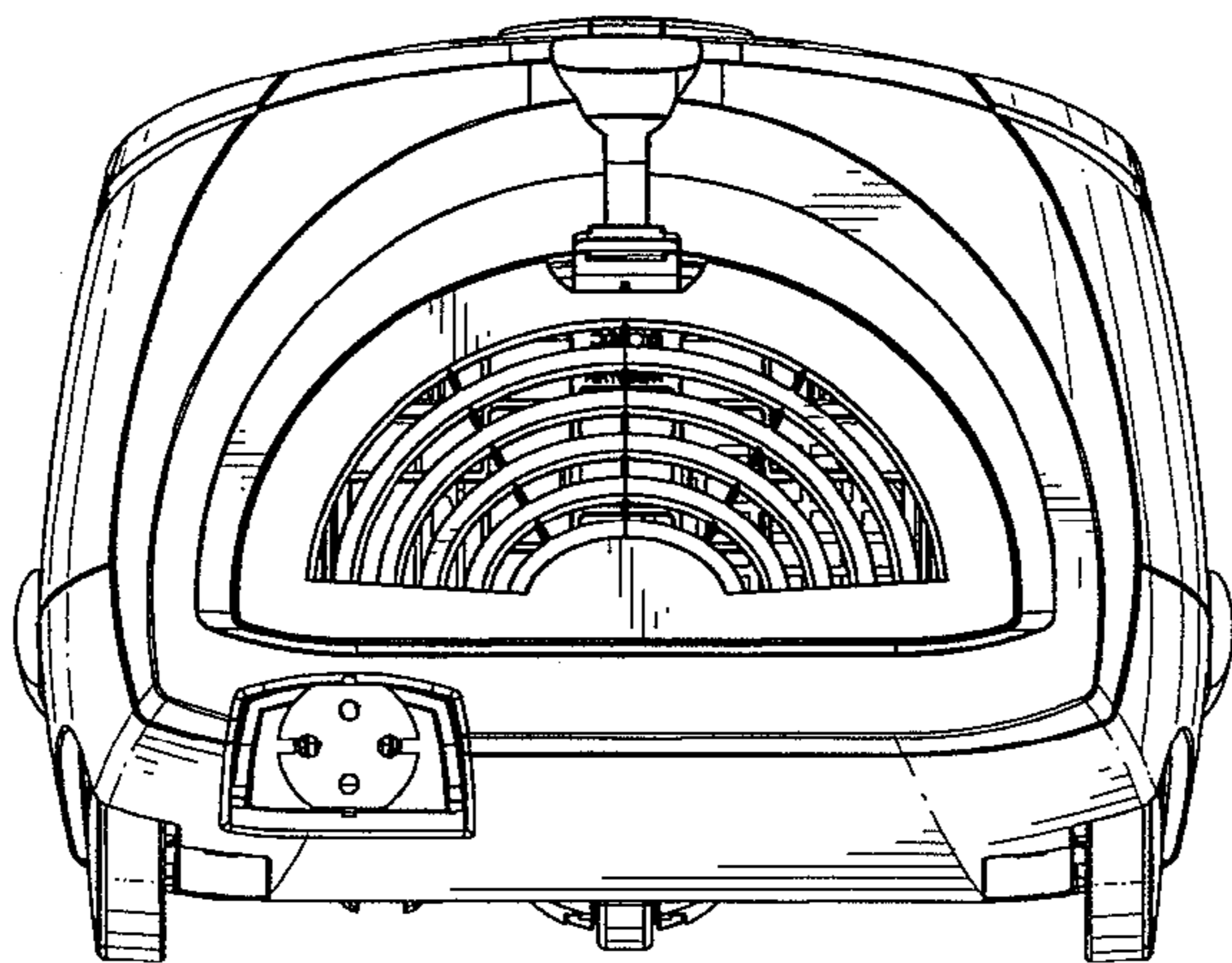


FIG. 6

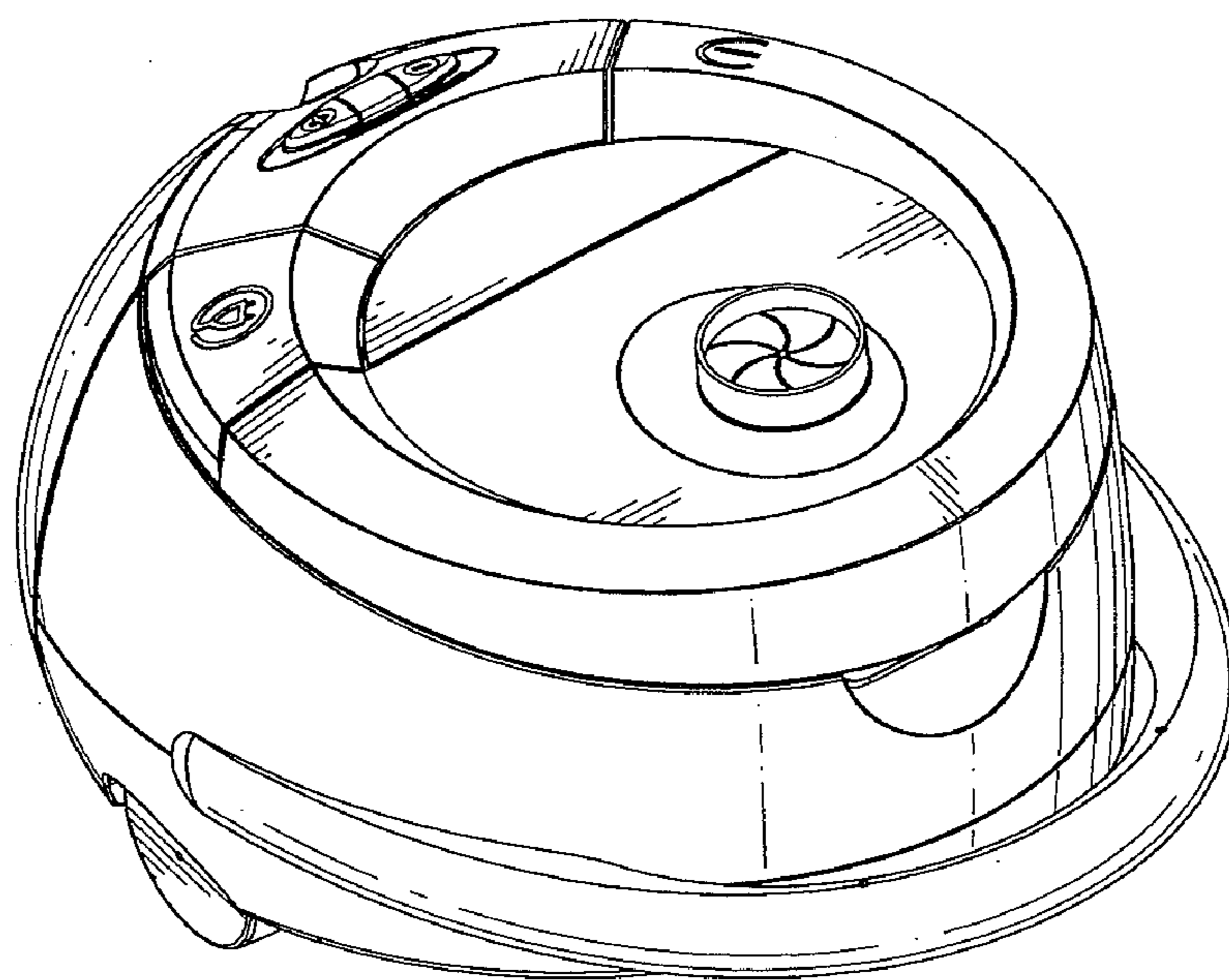


FIG. 7

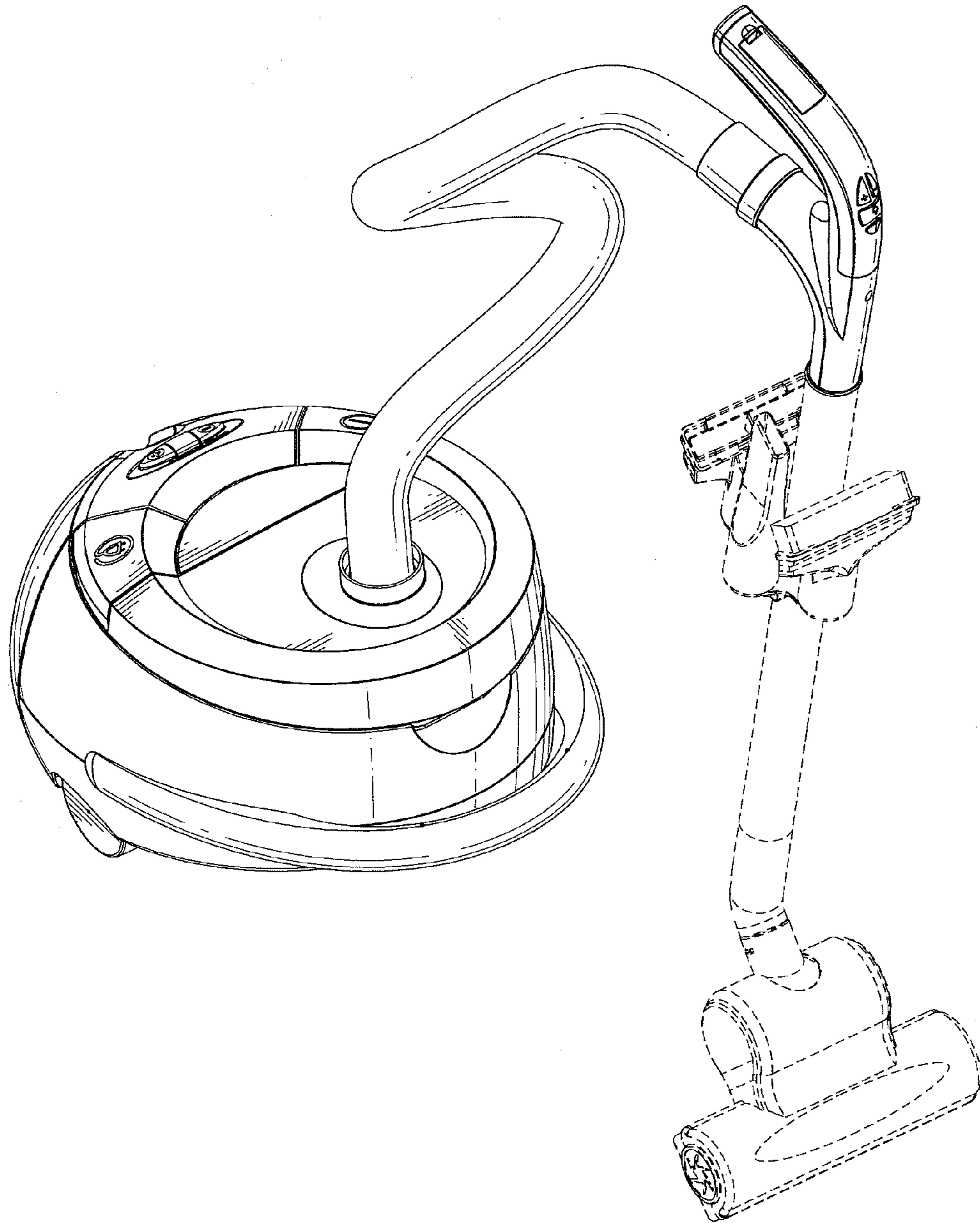


FIG. 8

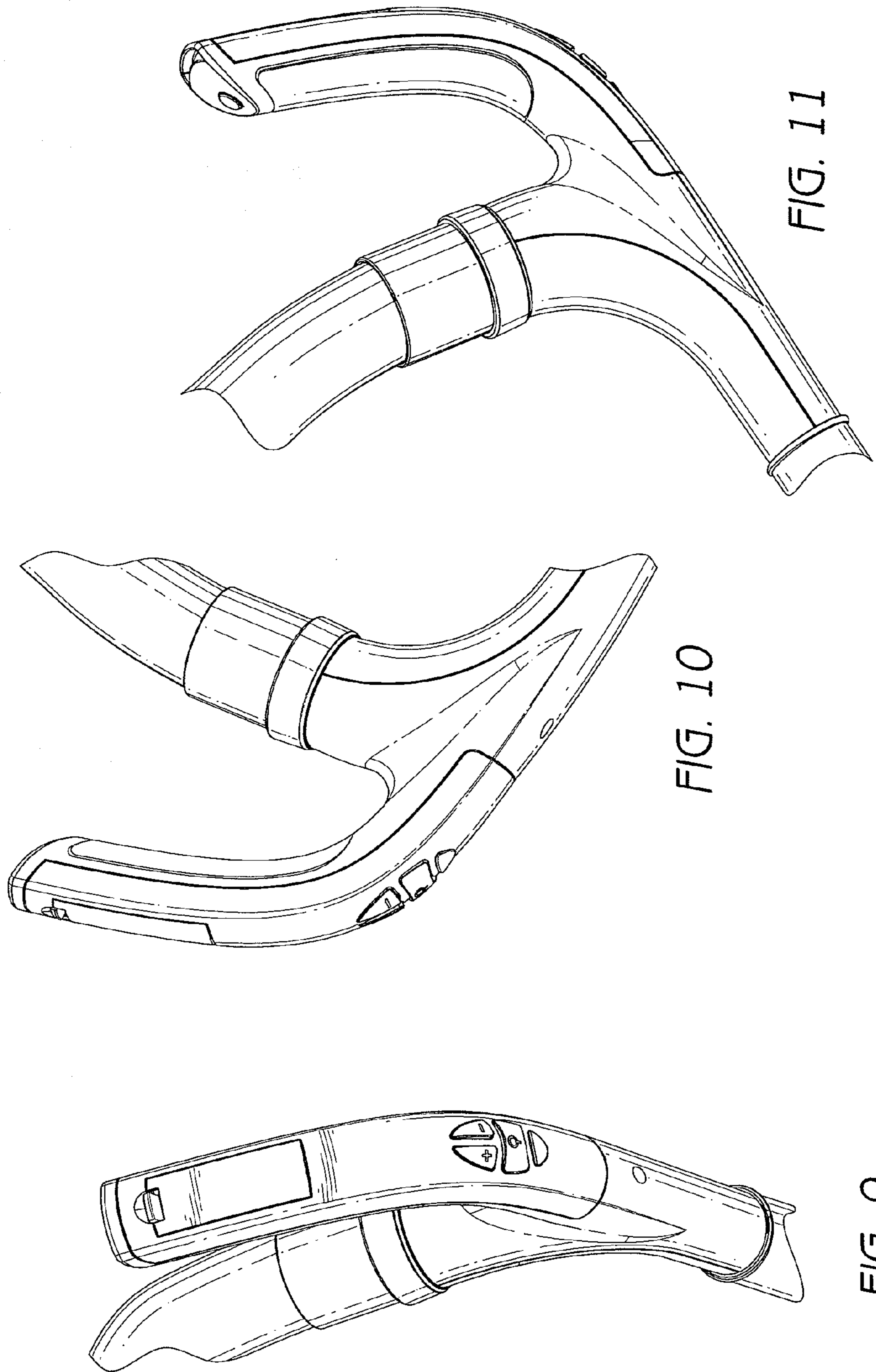


FIG. 11

FIG. 10

FIG. 9