



US00D602653S

(12) **United States Design Patent**
Mendenhall

(10) **Patent No.:** **US D602,653 S**
(45) **Date of Patent:** **** Oct. 20, 2009**

(54) **ANTI-ANT PET FEEDER WITH CONVEX-RIMMED REMOVABLE BOWL**

(76) Inventor: **Dustin Adam Mendenhall**, 5551/2
Central Ave., Buellton, CA (US) 93427

(**) Term: **14 Years**

(21) Appl. No.: **29/297,962**

(22) Filed: **Nov. 24, 2007**

(51) **LOC (9) Cl.** **30-03**

(52) **U.S. Cl.** **D30/130**

(58) **Field of Classification Search** D30/121,
D30/122, 129-133; 119/61.5, 51.01, 61.56,
119/51.03, 59, 62, 63, 51.5, 57.8, 74, 61.54,
119/61.55; 312/204; 248/151, 188; 108/156,
108/153.1-157; 220/23.87, 630, 737, 743,
220/9.4, 495.01, 574, 212, 255, 23.83; 206/515;
D7/586, 543, 550.1, 587, 505, 584, 545, 500,
D7/553.1-553.8, 546, 555, 556, 504, 565,
D7/562, 602; D9/429; 43/109; D22/122;
99/430, DIG. 15

See application file for complete search history.

(56) **References Cited**

U.S. PATENT DOCUMENTS

D182,973	S	*	6/1958	Reinecke	D7/505
4,007,711	A		2/1977	Michael		
4,357,905	A		11/1982	Carpenter		
D289,208	S	*	4/1987	Fanciullo	D30/129
D294,531	S	*	3/1988	Neunzig	D30/130
4,896,627	A		1/1990	Riddell		
D313,203	S	*	12/1990	Carlson	D11/153
D342,353	S	*	12/1993	Anastasi	D30/130
5,277,149	A	*	1/1994	East	119/51.5
D344,210	S	*	2/1994	Cousins et al.	D7/538
D346,465	S		4/1994	Russell et al.		
5,366,103	A	*	11/1994	Abernathy et al.	220/23.83
5,423,451	A	*	6/1995	Snyder	220/574
D362,090	S	*	9/1995	Baldwin et al.	D30/130
D363,573	S	*	10/1995	Rehn	D30/130
5,632,228	A	*	5/1997	Ybarra	119/51.5
D379,684	S	*	6/1997	Dennis	D30/130

5,743,210	A	*	4/1998	Lampe	119/51.5
D402,425	S		12/1998	Lacz et al.		
D447,290	S	*	8/2001	Huai	D30/129
6,860,229	B1		3/2005	Craft		
D512,801	S	*	12/2005	Kratzer et al.	D30/130
7,146,929	B2		12/2006	Ritchey et al.		

* cited by examiner

Primary Examiner—Susan Moon Lee

(74) *Attorney, Agent, or Firm*—William Keyworth; Bill & Mary Lou Inc.

(57) **CLAIM**

The ornamental design for an anti-ant pet feeder with convex-rimmed removable bowl, as shown and described.

DESCRIPTION

FIG. 1 is a front view of an embodiment of the anti-ant dog/cat removable food bowl assembly with a convex-rim bowl part; the undisclosed rear view being a mirror image.

FIG. 2 is a side view of same; the undisclosed opposite side being a mirror image.

FIG. 3 is a top view of same with the food bowl part supported by the water bowl part internal structure.

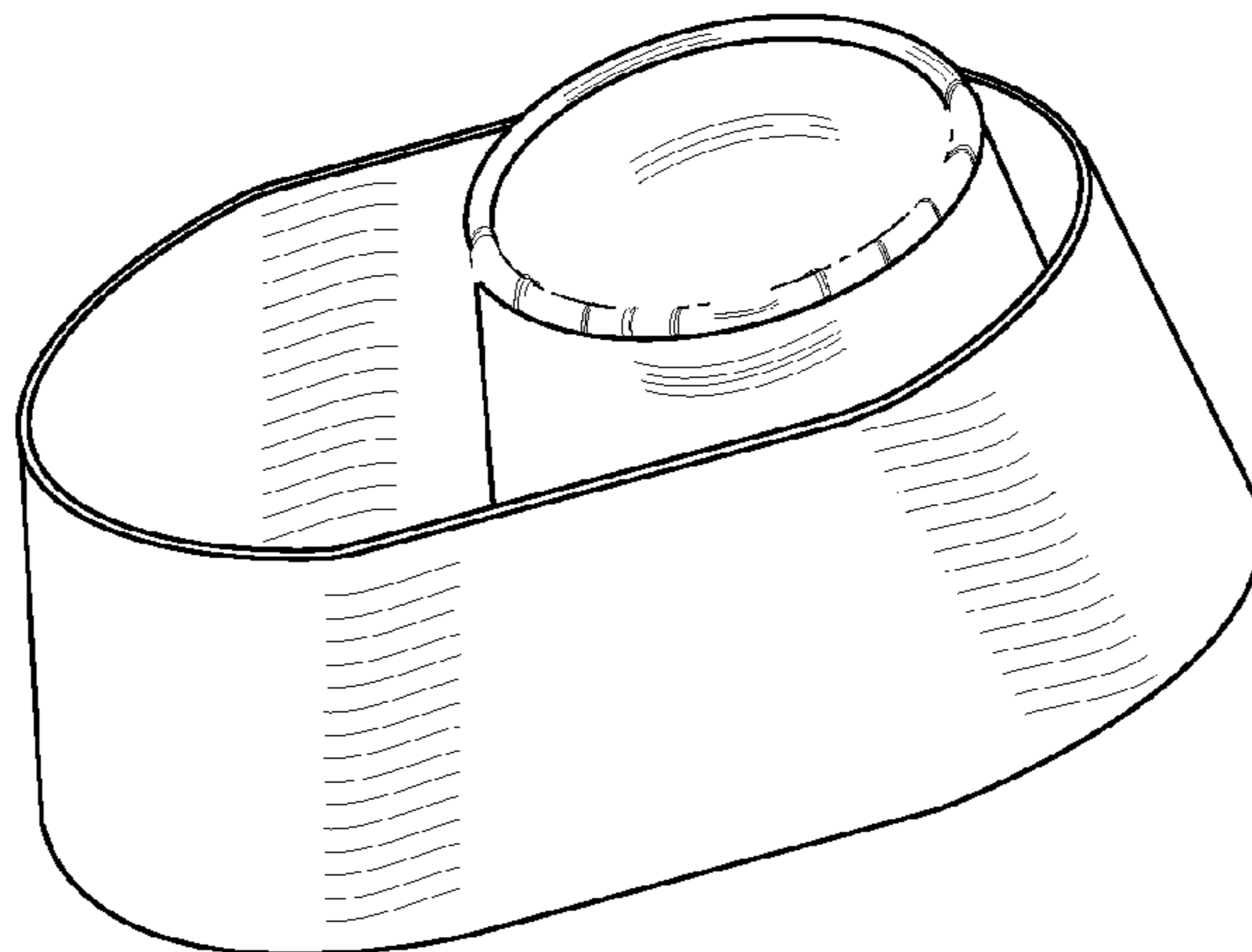
FIG. 4 is a top view of same with the separated food bowl and water bowl parts embraced by a bracket to show the arrangement of the water bowl part internal structure.

FIG. 5 is a bottom view of same with the separated food bowl and water bowl parts embraced by a bracket to show the arrangement of the two parts. The bottom view with the food bowl part supported by the water bowl part internal structure is the same as FIG. 5 without the food bowl part shown. The broken line showing of the bottom of the water bowl internal structure is for illustrative purposes only and forms no part of the claimed design.

FIG. 6 is a perspective view of same with the removable food bowl part supported by the water bowl part internal structure; and,

FIG. 7 is a perspective view of same with the separated food bowl part and water bowl parts embraced by a bracket to show the arrangement of the water bowl internal structure.

1 Claim, 3 Drawing Sheets



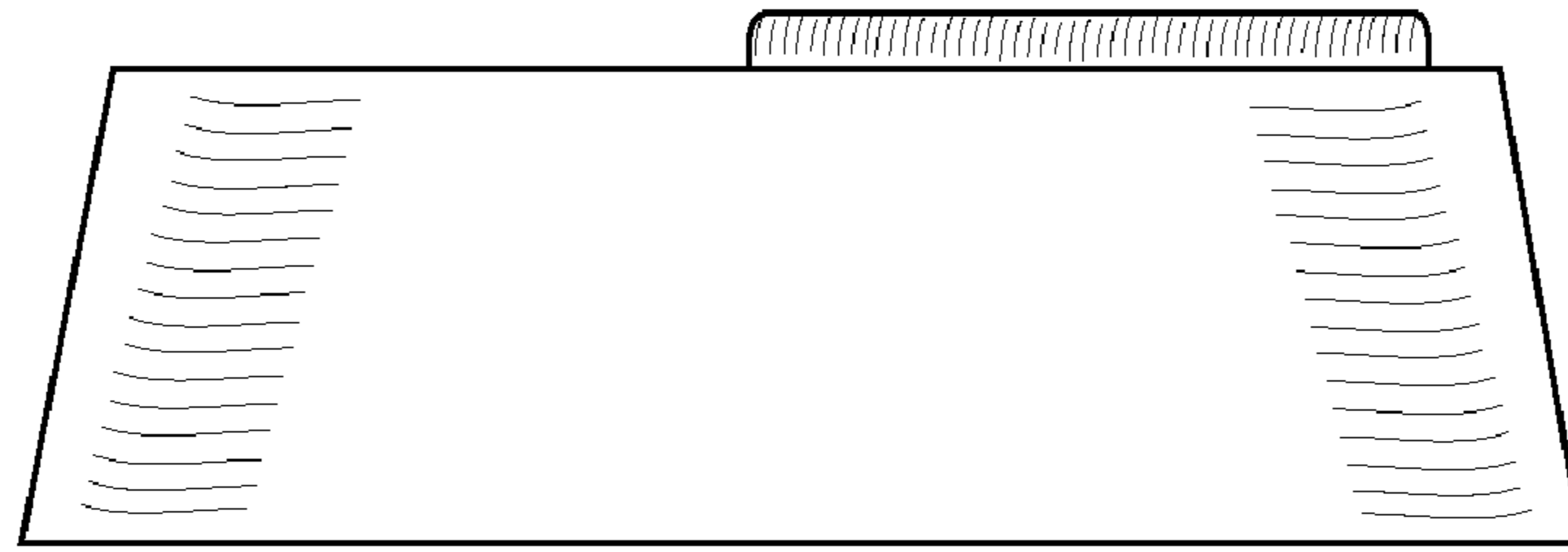


Fig. 1

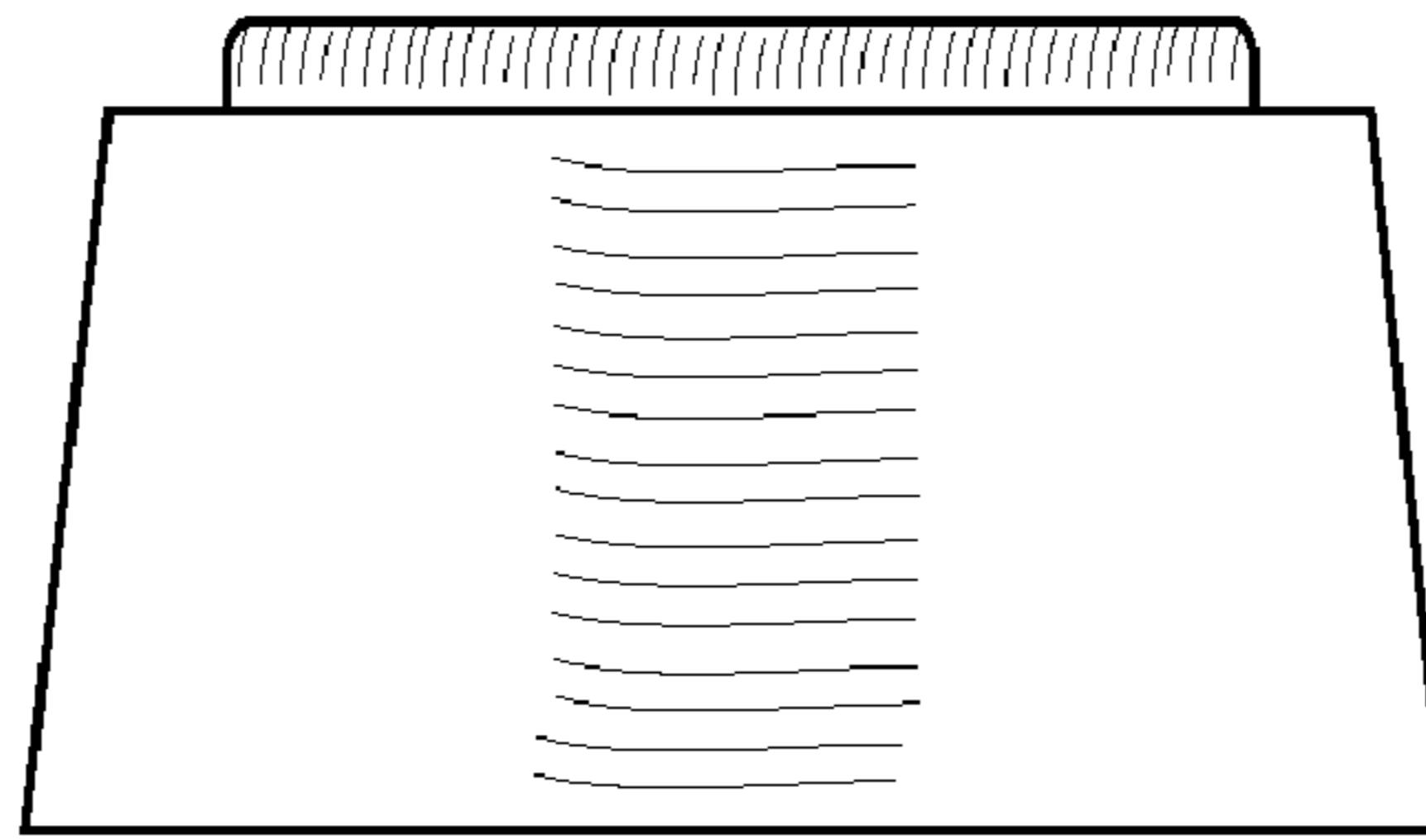


Fig. 2

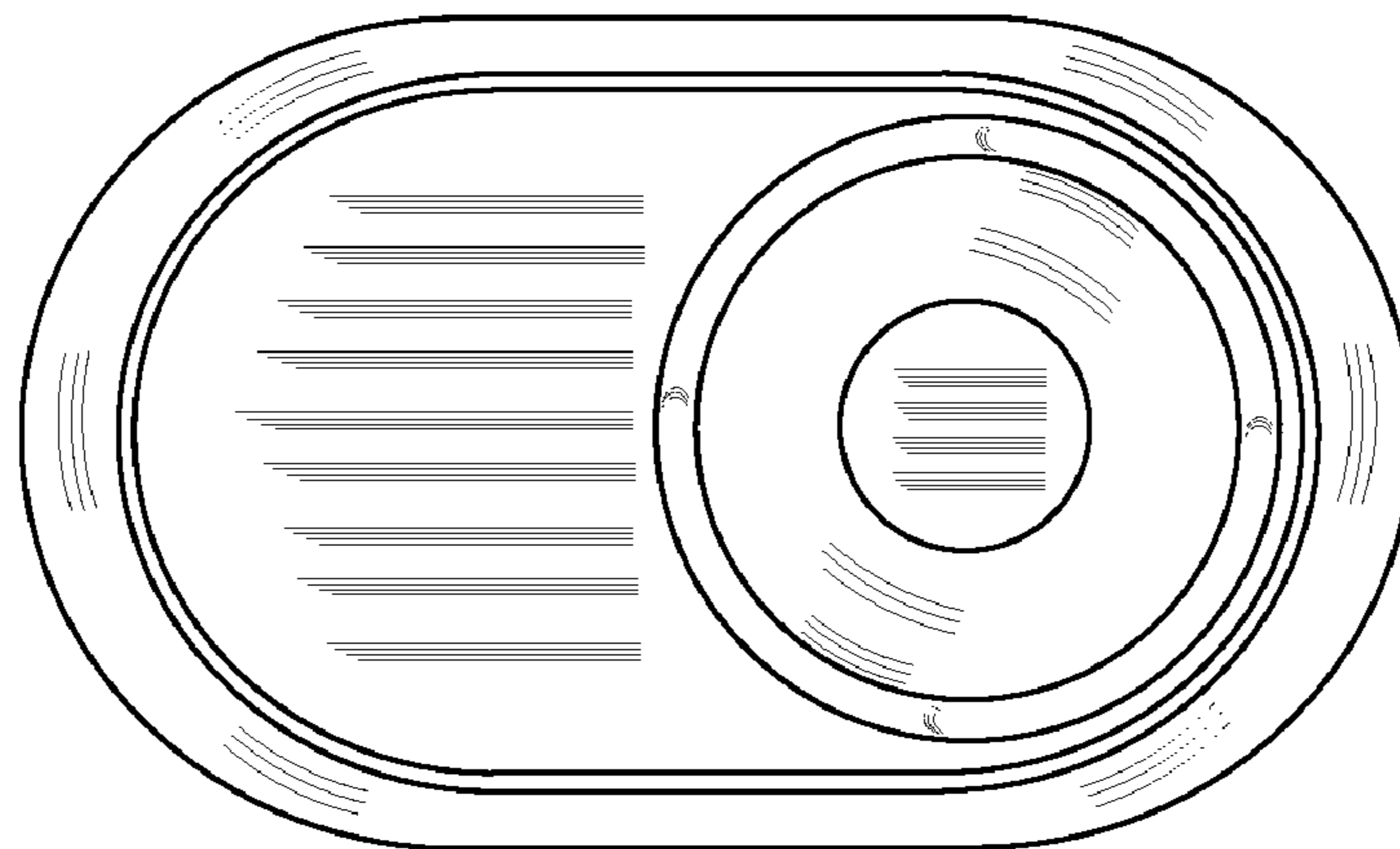


Fig. 3

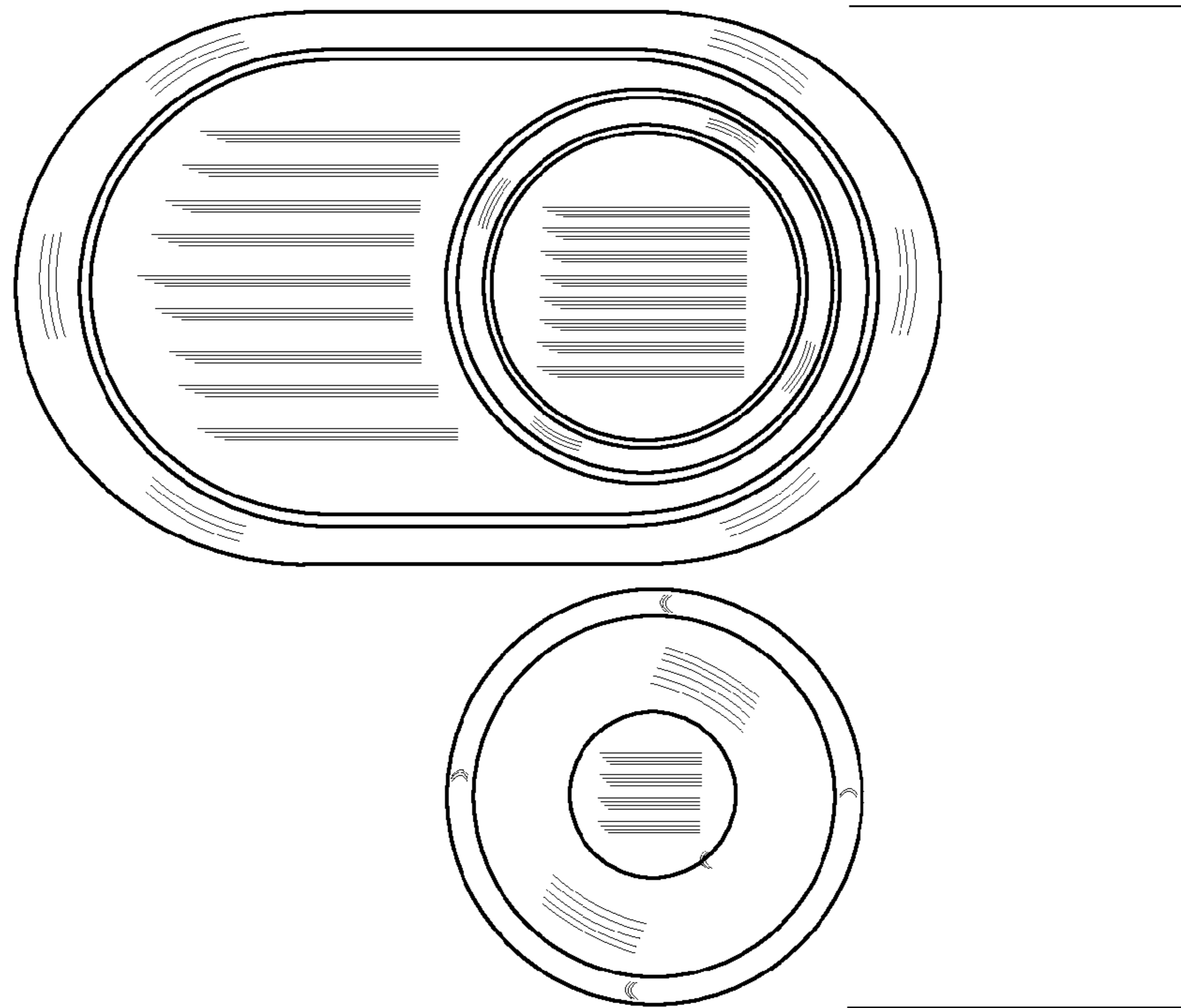


Fig. 4

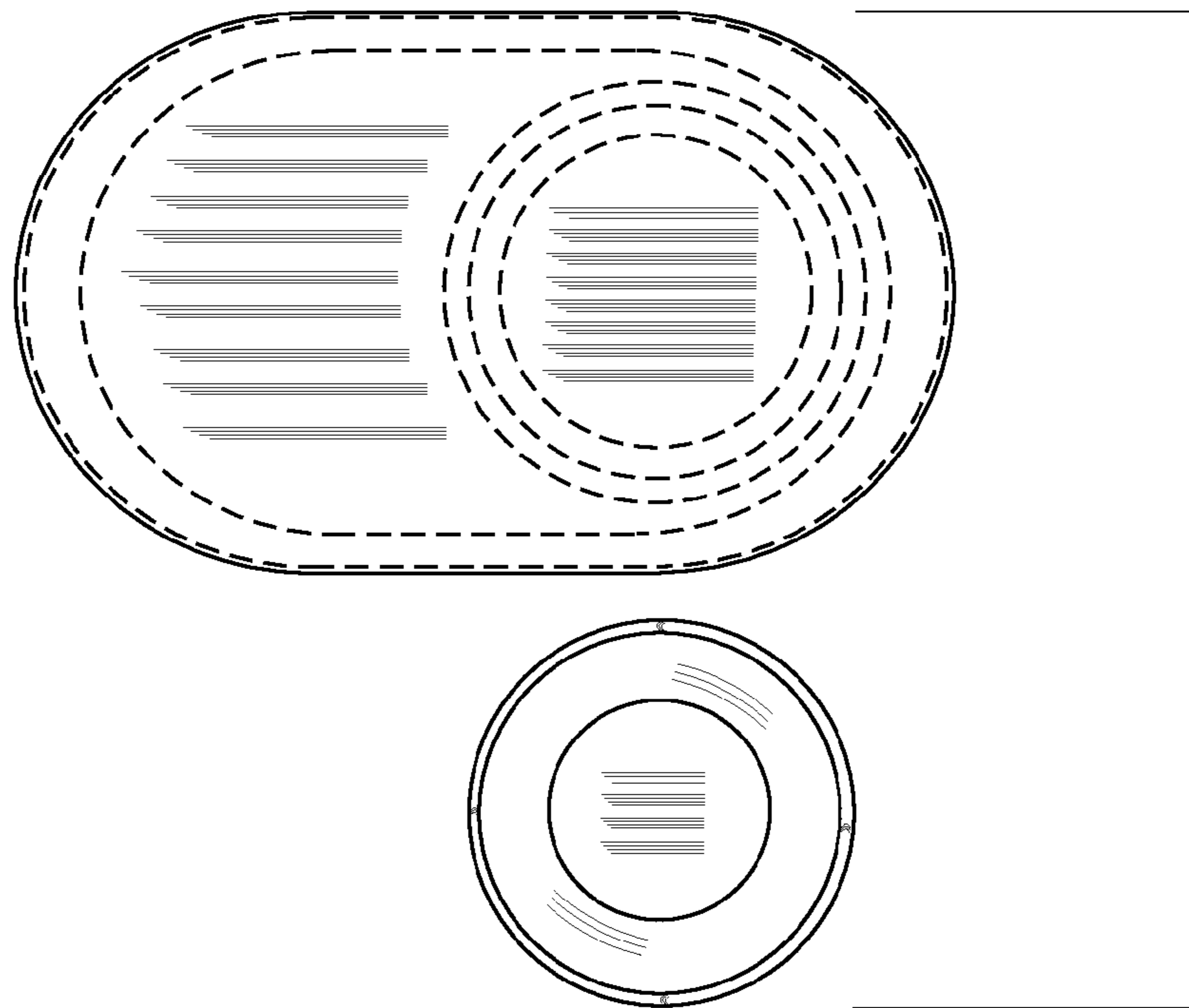


Fig. 5

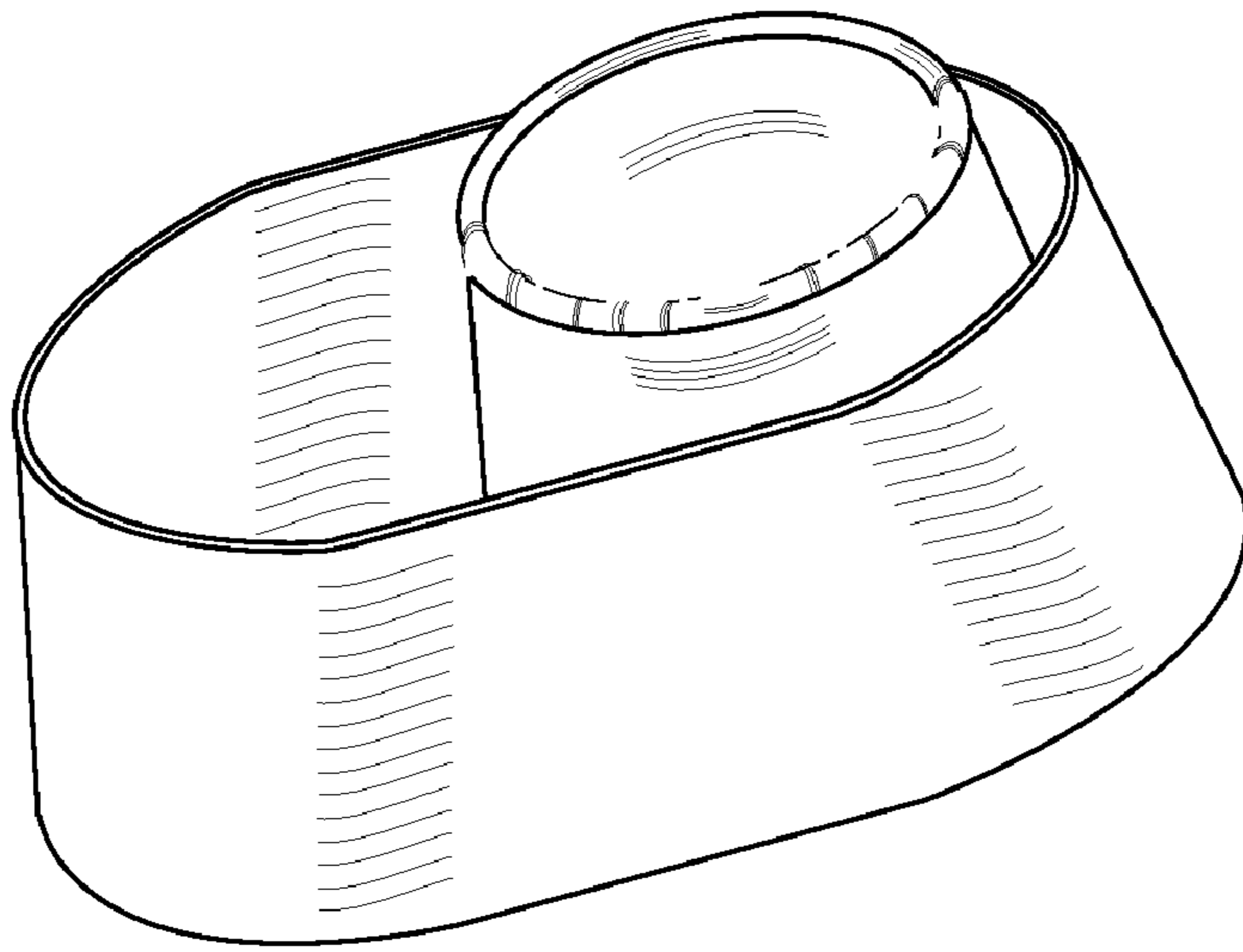


Fig. 6

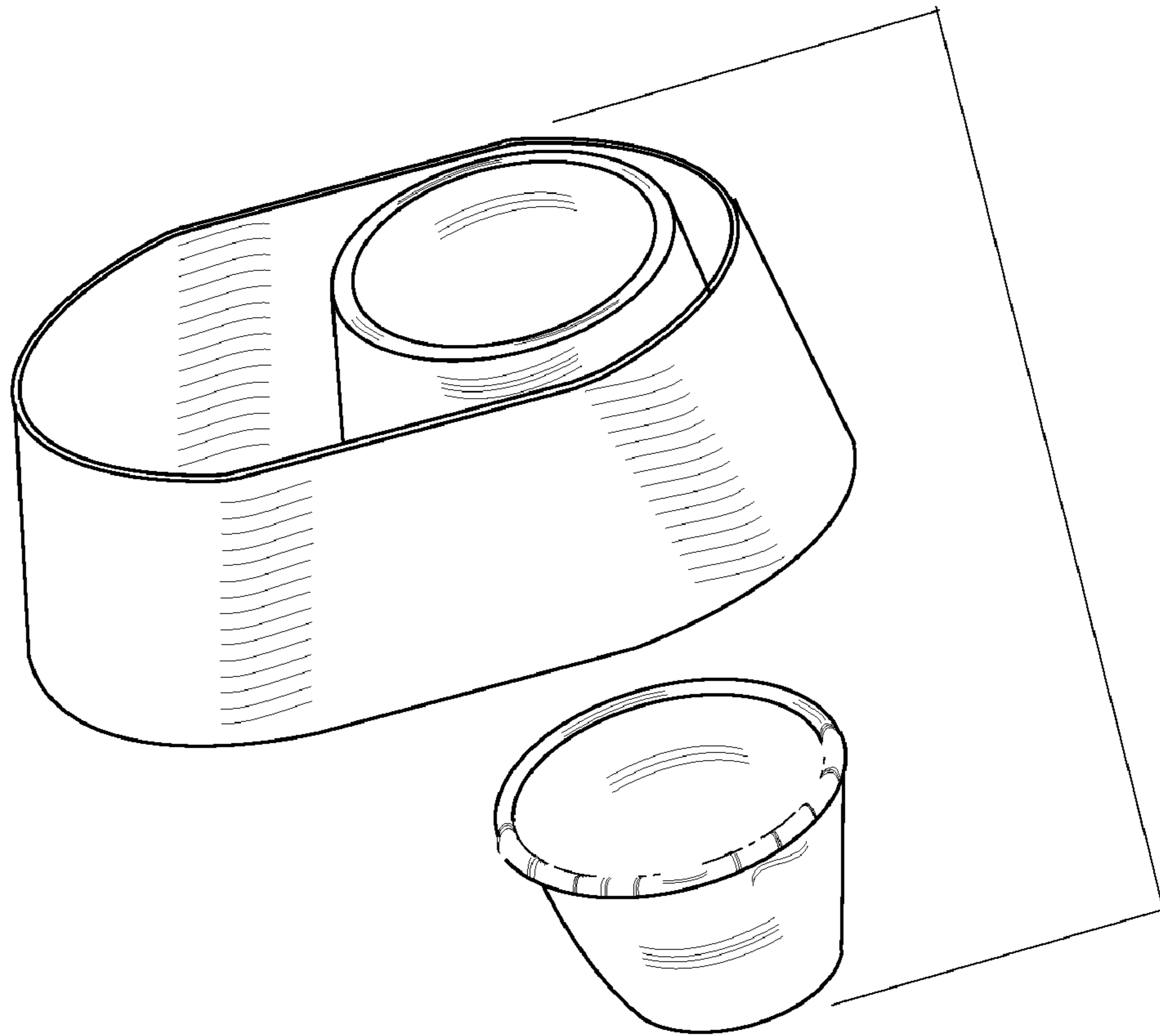


Fig. 7