



US00D602648S

(12) **United States Design Patent**
Isobe

(10) **Patent No.:** **US D602,648 S**
(45) **Date of Patent:** **** Oct. 20, 2009**

(54) **UPPER PART FOR HELMET SHIELD**

(75) Inventor: **Eiji Isobe**, Abiko (JP)

(73) Assignee: **Shoei Co., Ltd.**, Tokyo (JP)

(**) Term: **14 Years**

(21) Appl. No.: **29/327,165**

(22) Filed: **Oct. 31, 2008**

(51) **LOC (9) Cl.** **29-03**

(52) **U.S. Cl.** **D29/122**

(58) **Field of Classification Search** D29/102-110,
D29/122; 2/410-414, 416-425, 5, 6.1-6.7,
2/15, 171.3, 7

See application file for complete search history.

(56) **References Cited**

U.S. PATENT DOCUMENTS

D370,310	S	*	5/1996	Reuber et al.	D29/110
D376,674	S	*	12/1996	Kamata	D29/107
D380,873	S	*	7/1997	Reuber	D29/110
5,694,650	A	*	12/1997	Hong	2/424
D392,073	S	*	3/1998	Lashley	D29/122
D415,320	S	*	10/1999	Enriquez	D29/110
5,987,651	A	*	11/1999	Tanaka	2/424
6,161,225	A	*	12/2000	Arai	2/424
6,226,803	B1	*	5/2001	Tanaka	2/424
6,405,376	B1	*	6/2002	Falk et al.	2/94
D492,450	S	*	6/2004	Fournier et al.	D29/122
D509,029	S	*	8/2005	Fournier et al.	D29/122
7,181,777	B2	*	2/2007	Choi et al.	2/424

D539,988	S	*	4/2007	Crafoord et al.	D29/122
D569,557	S	*	5/2008	Cho	D29/122
2006/0206995	A1	*	9/2006	Hong et al.	2/424
2008/0141443	A1	*	6/2008	Arai	2/424

* cited by examiner

Primary Examiner—Ruth McInroy

(74) *Attorney, Agent, or Firm*—Sughrue Mion, PLLC

(57) **CLAIM**

I claim the ornamental design for an upper part for helmet shield, as shown and described.

DESCRIPTION

FIG. 1 is a front elevational view of an upper part for helmet shield showing my new design, with the upper part attached to the helmet shield shown in broken lines;

FIG. 2 is a back view thereof;

FIG. 3 is a left side view thereof;

FIG. 4 is a right side view thereof;

FIG. 5 is a top plan view thereof;

FIG. 6 is a bottom plan view thereof;

FIG. 7 is a cross sectional view taken in the A—A line of FIG. 1;

FIG. 8 is a partially enlarged view of FIG. 7; and,

FIG. 9 is a top front perspective view of FIG. 1.

The portions shown by broken lines are for illustrative purposes only and form no part of the claimed design.

1 Claim, 5 Drawing Sheets

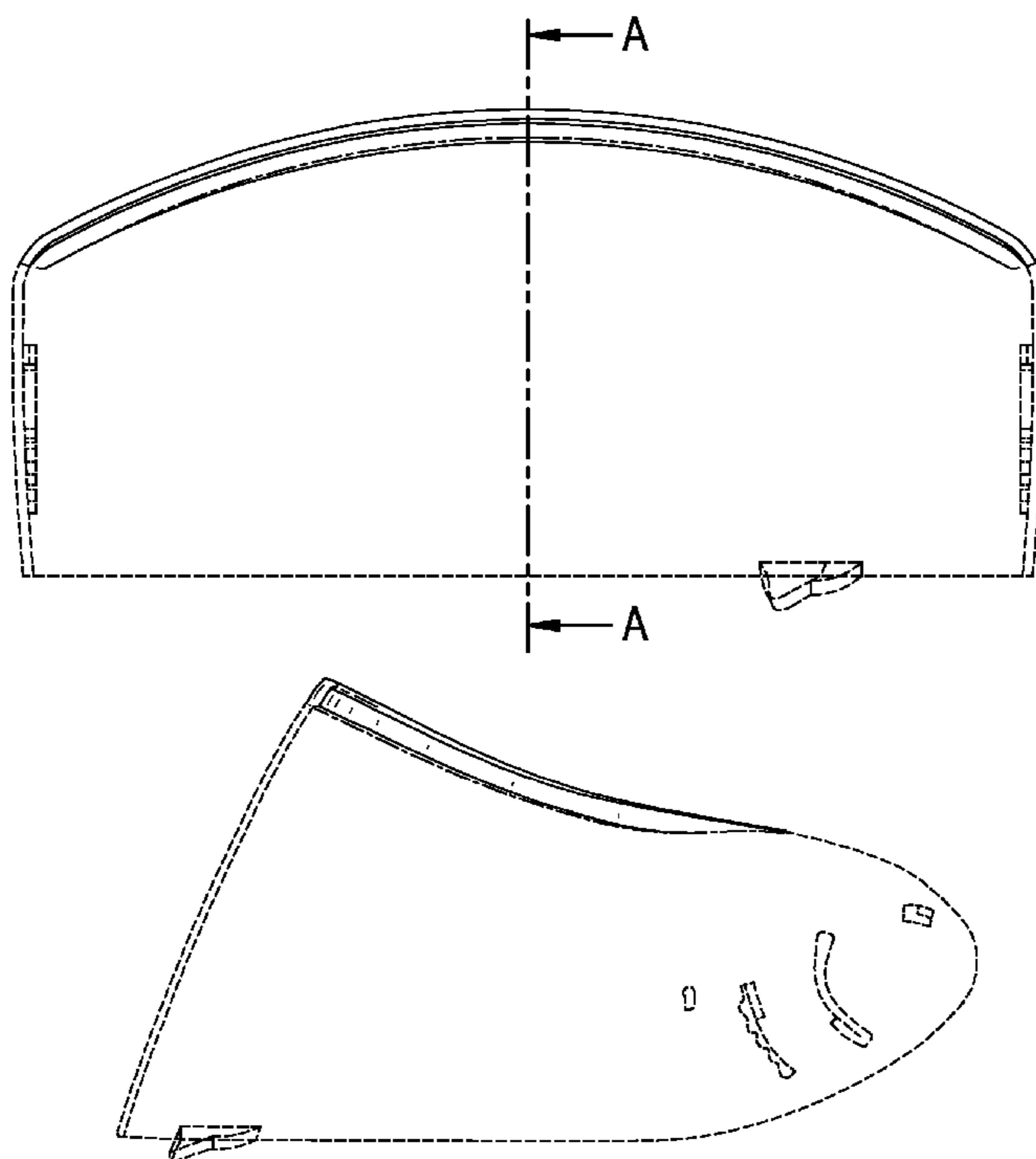


FIG. 1

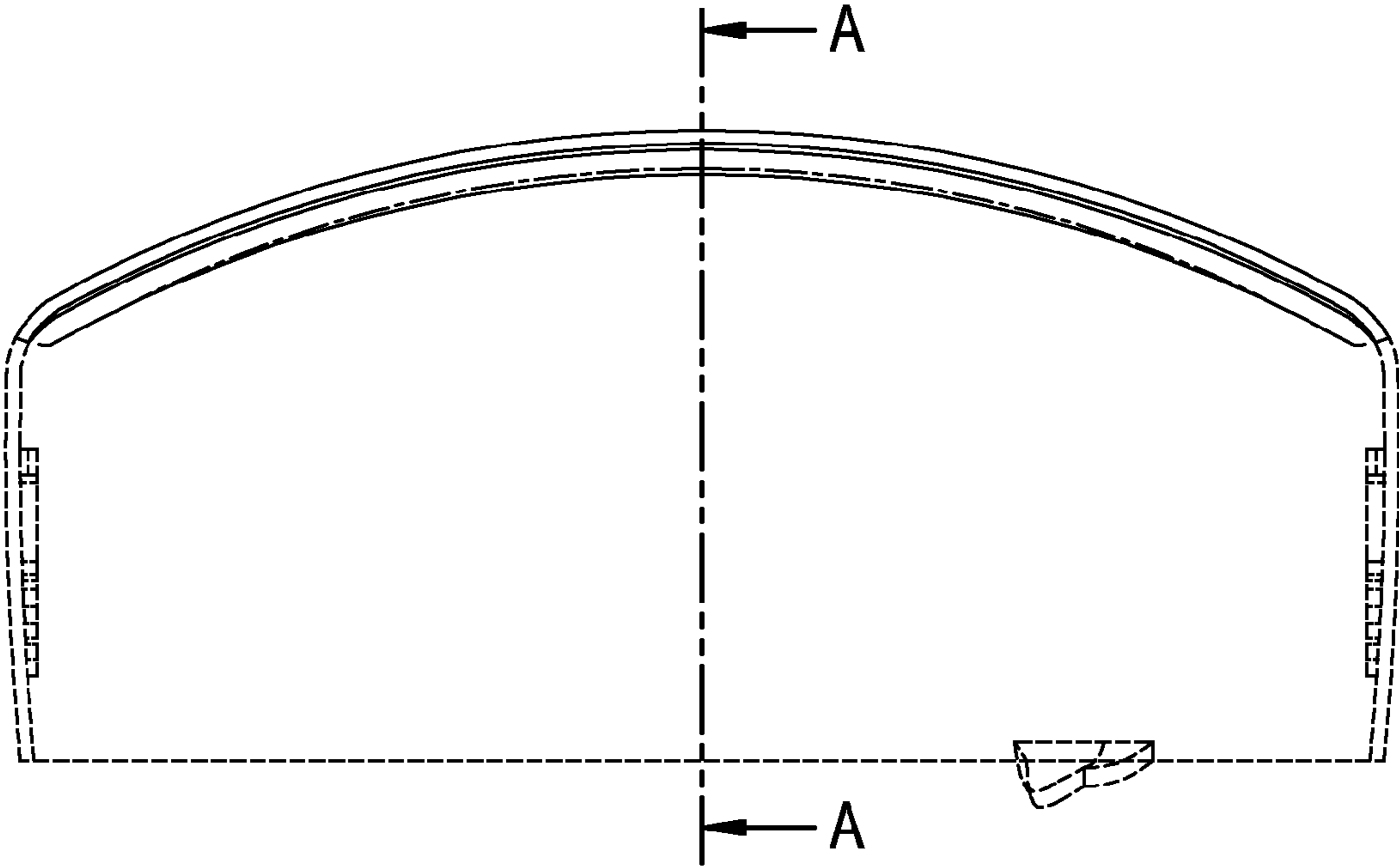


FIG. 2

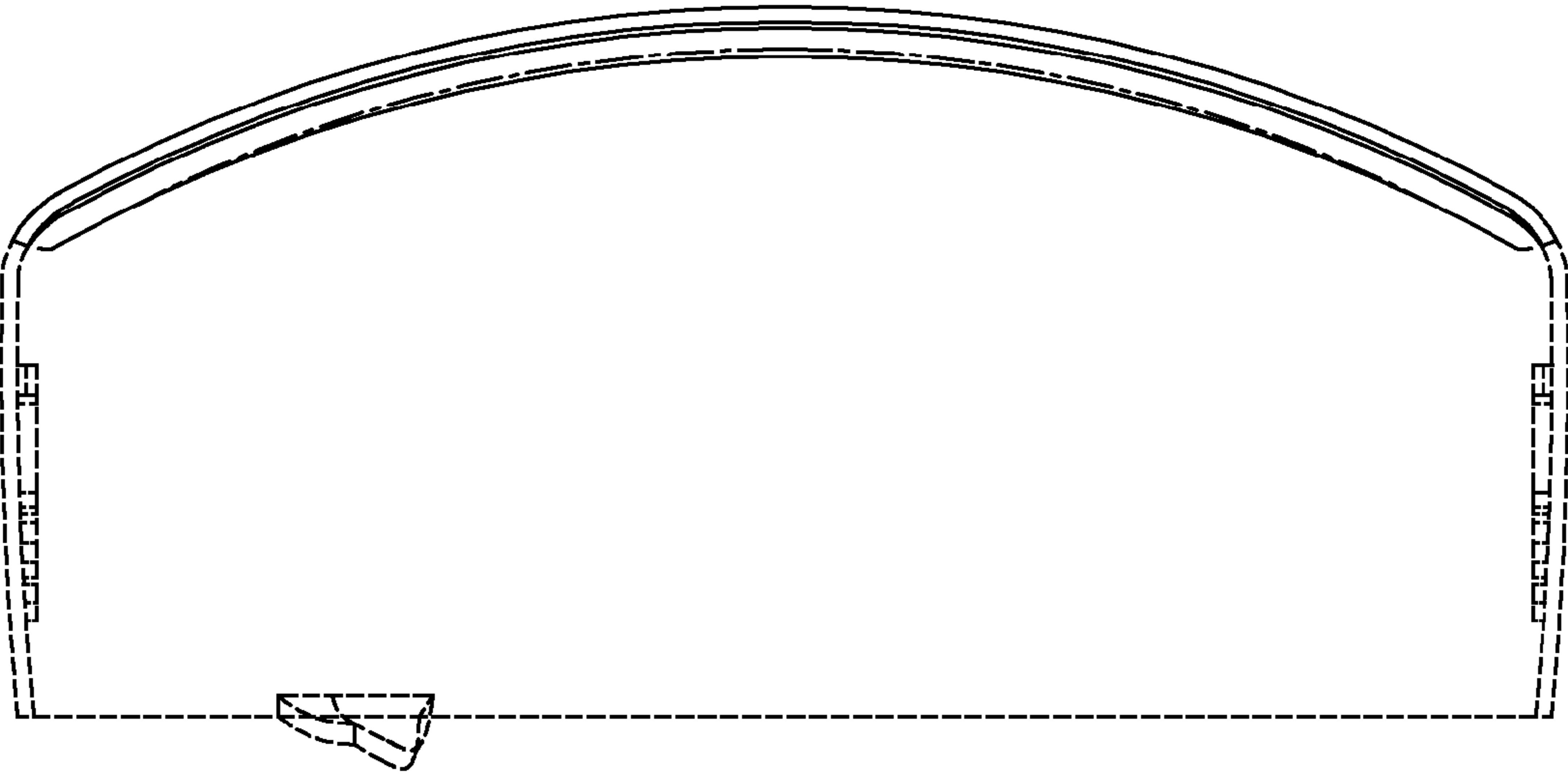


FIG. 3

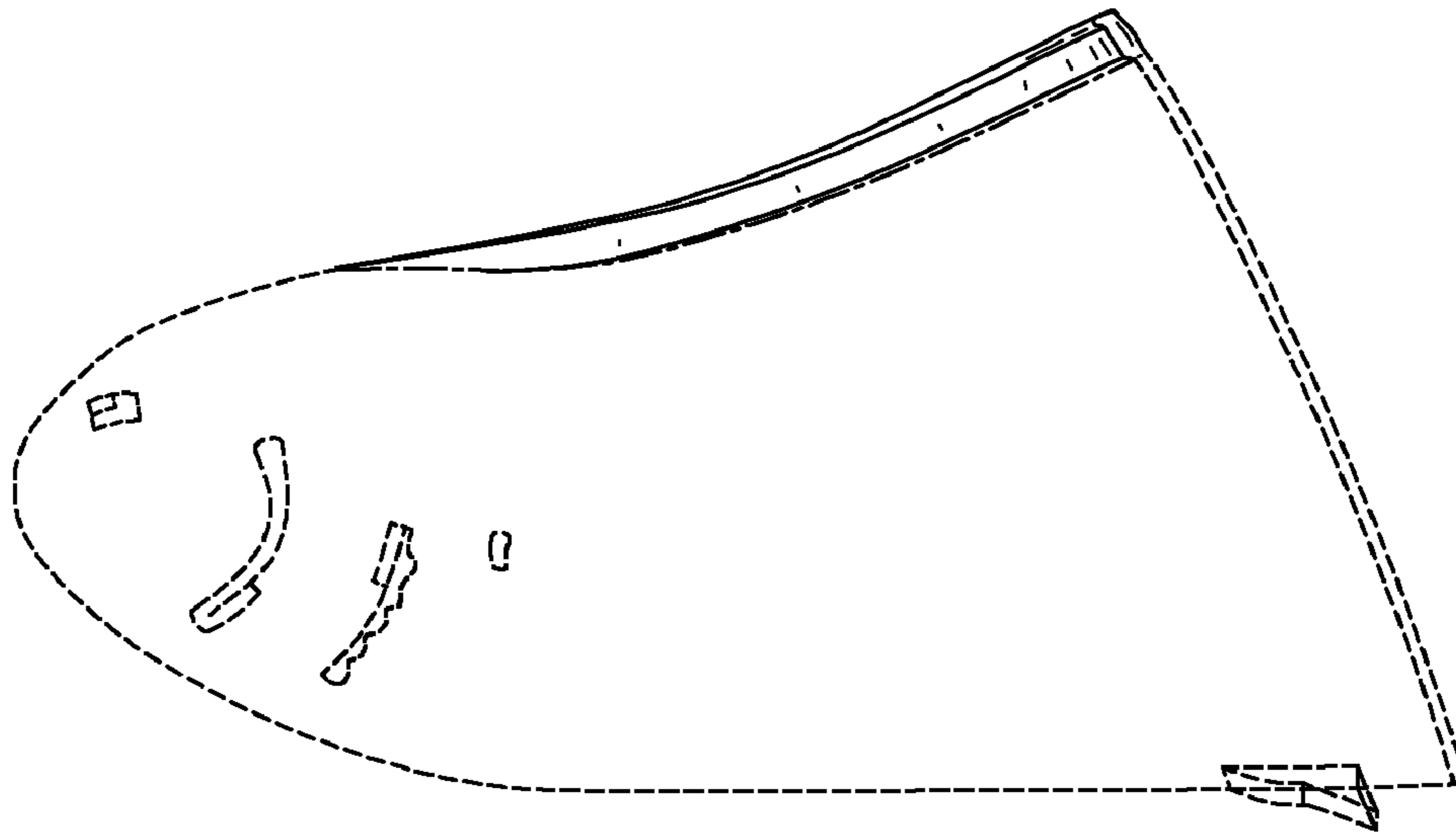


FIG. 4

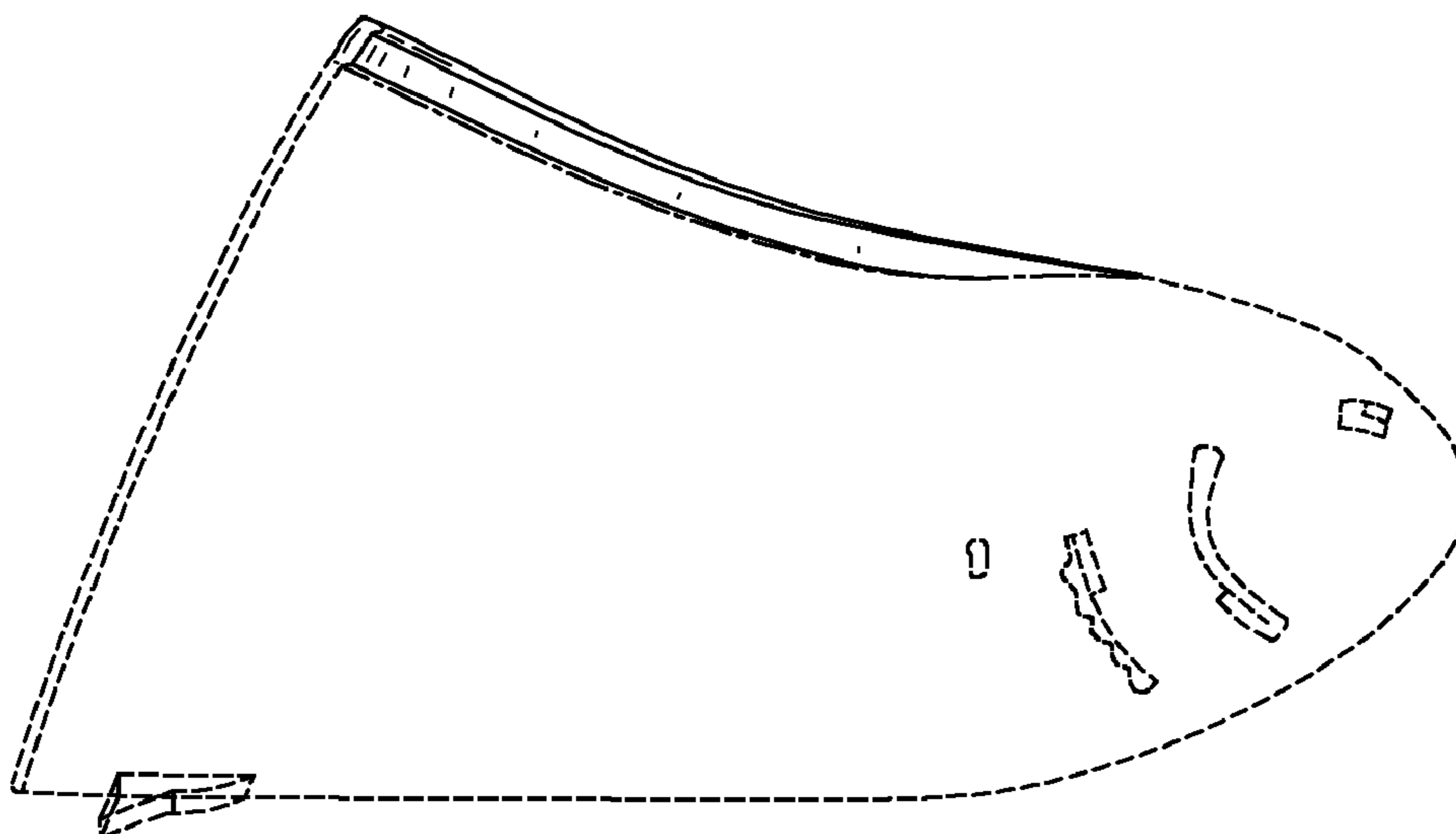


FIG. 5

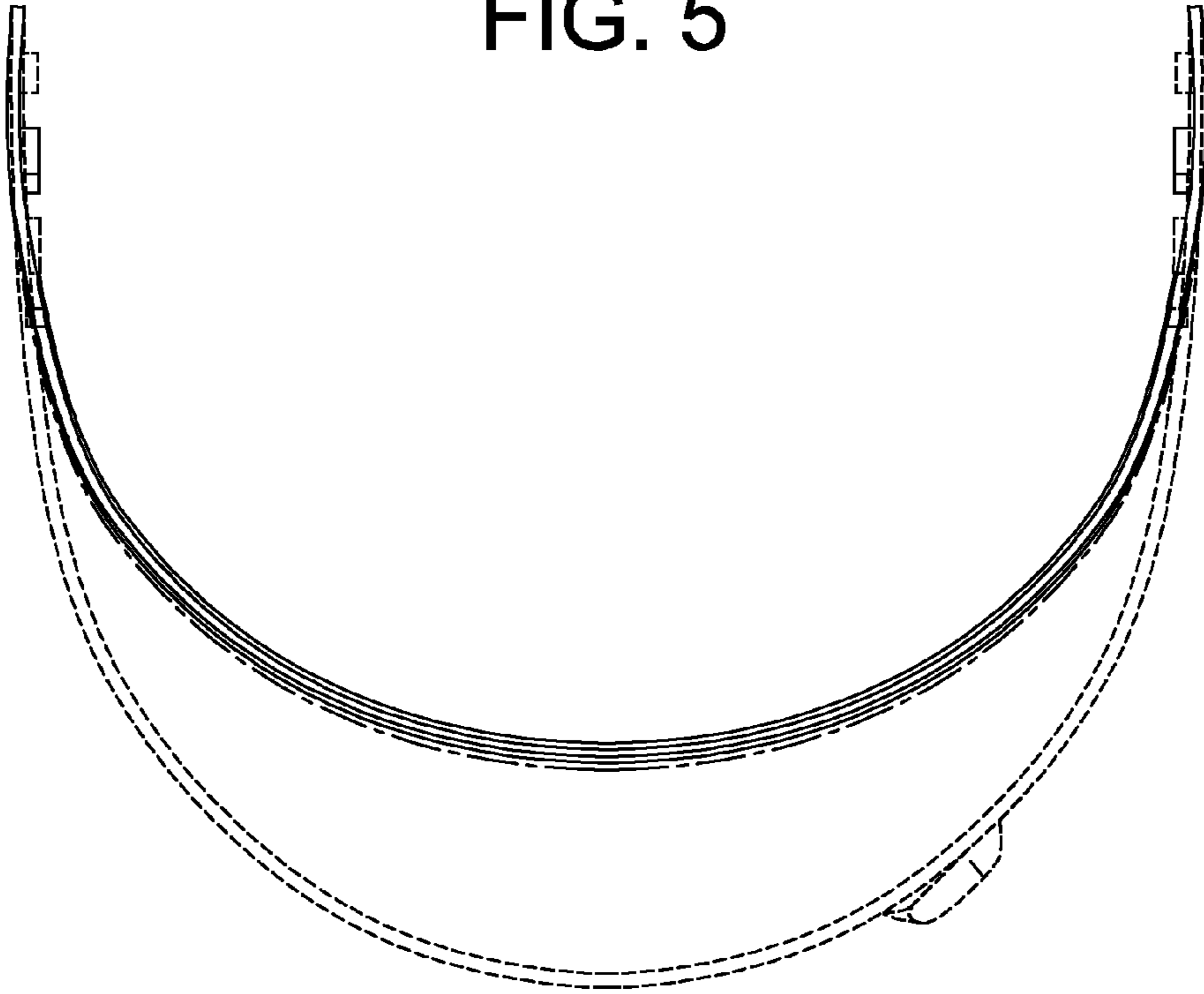


FIG. 6

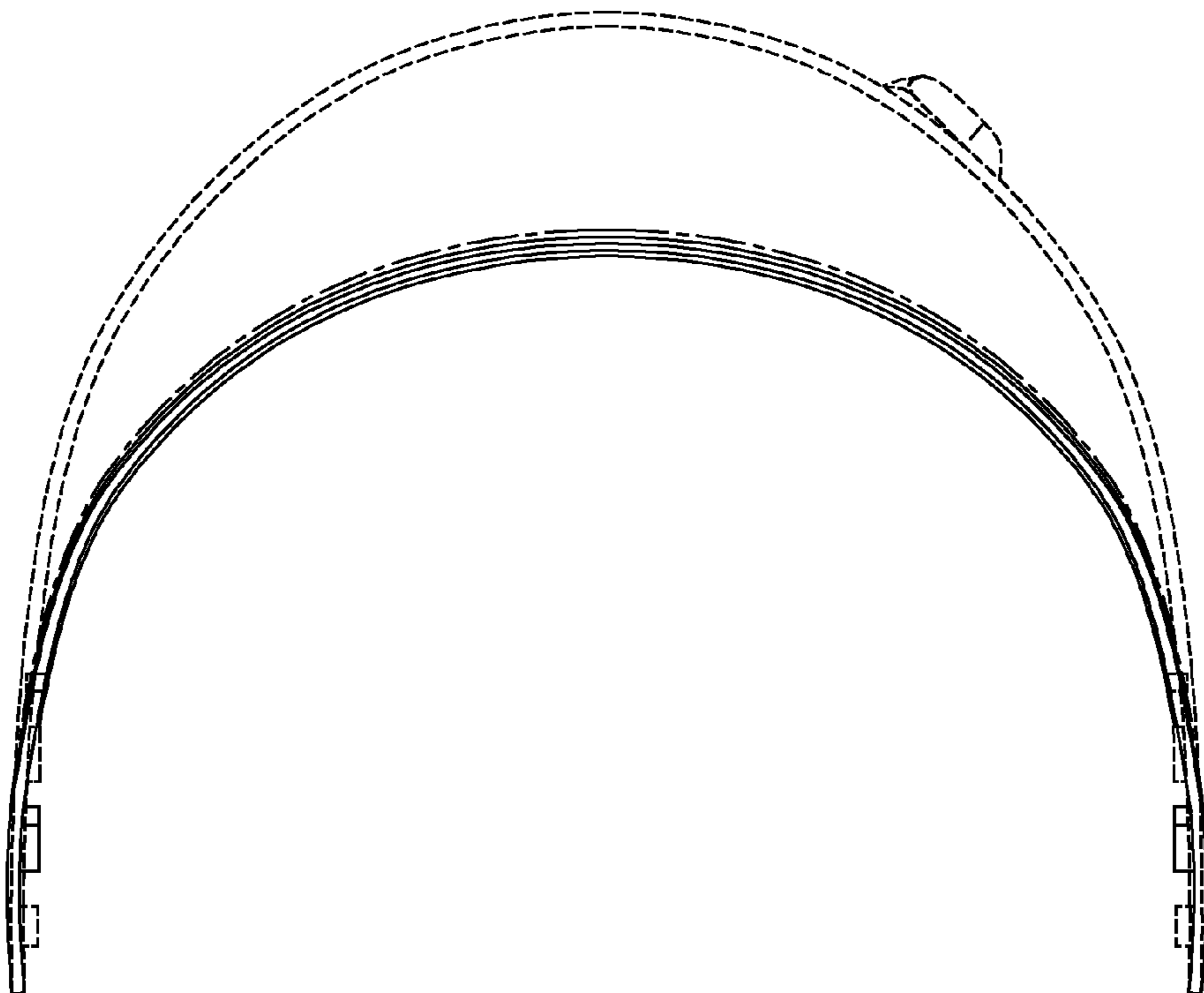


FIG. 7

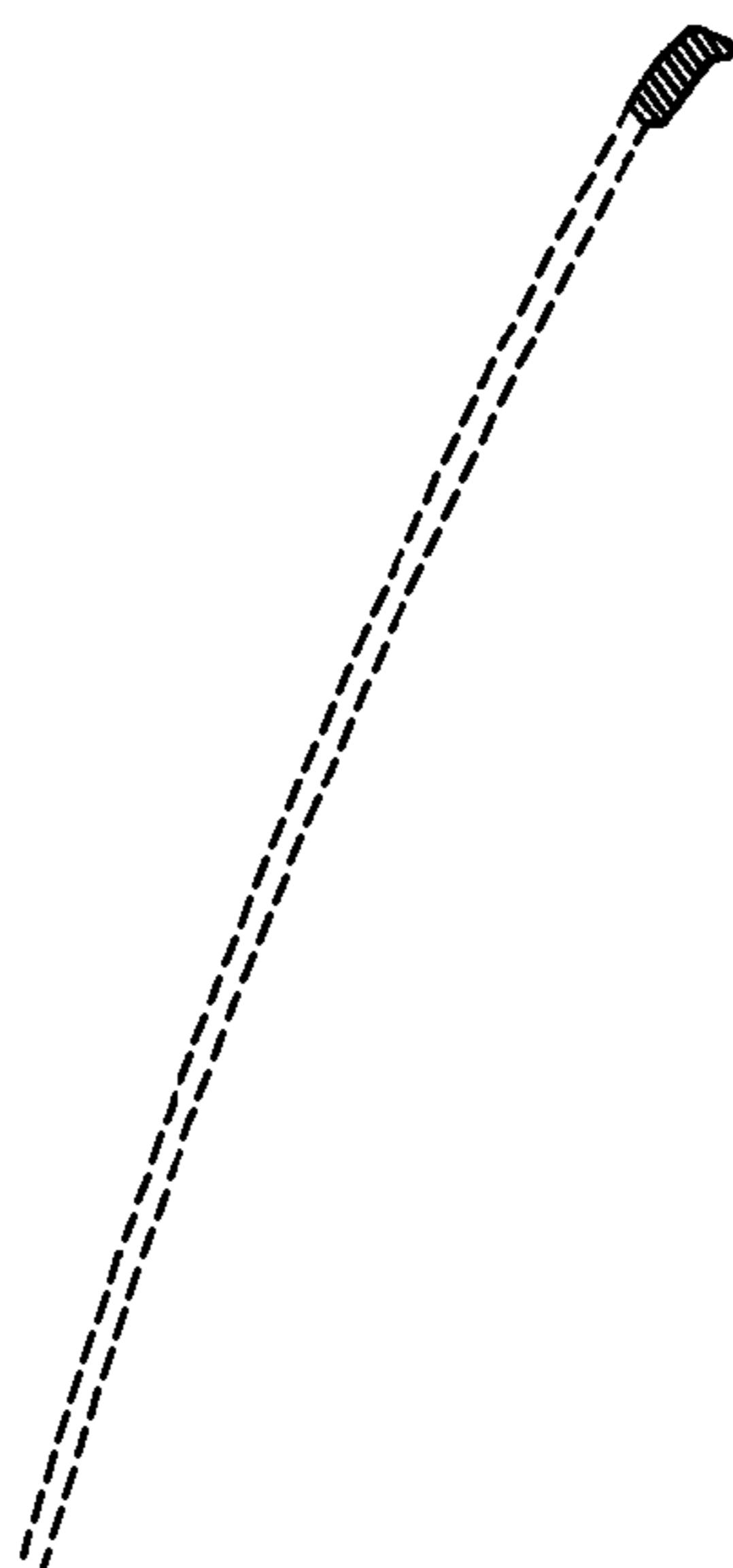


FIG. 8

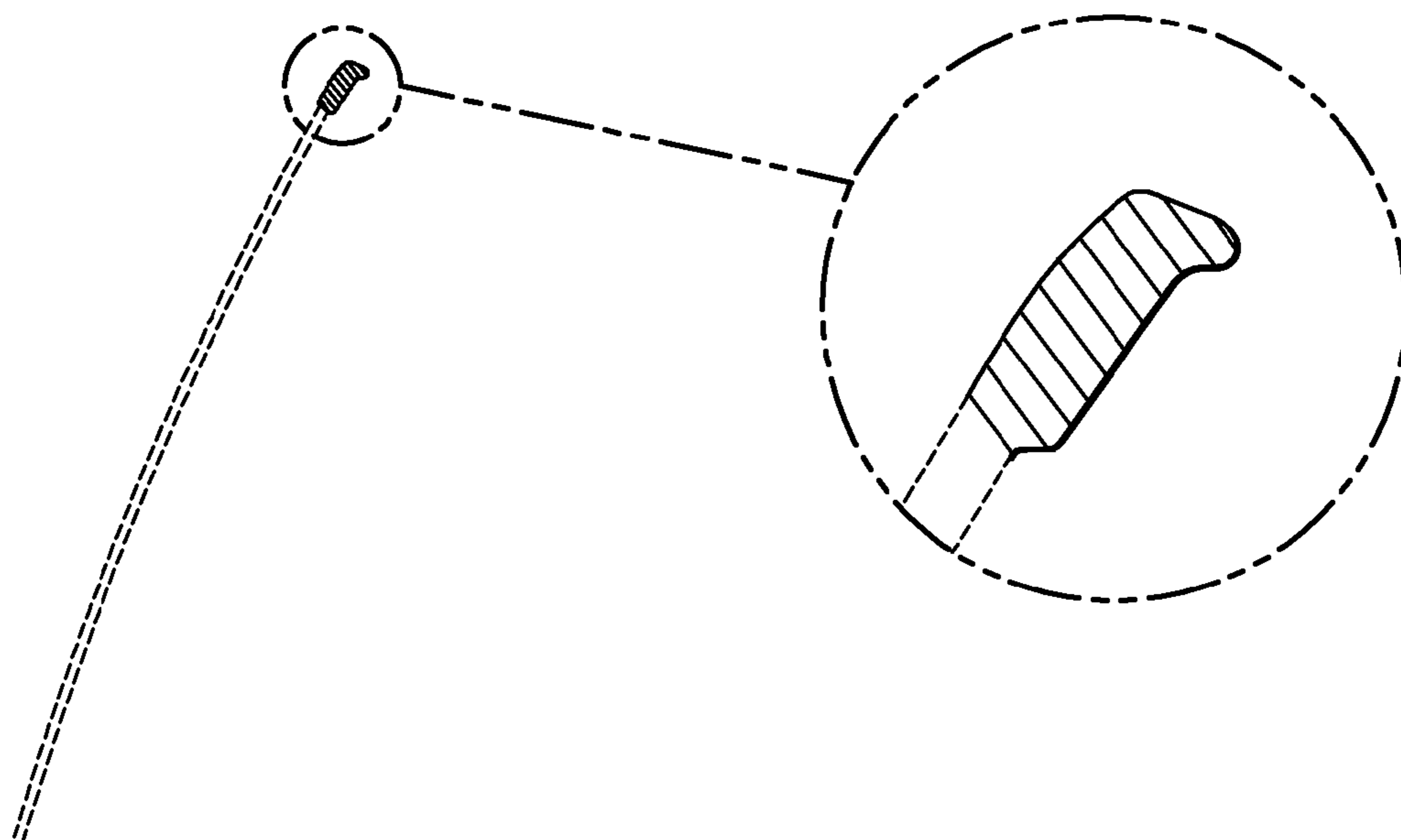


FIG. 9

