



US00D602647S

(12) **United States Design Patent**
Polstein et al.

(10) **Patent No.:** **US D602,647 S**
(45) **Date of Patent:** **** Oct. 20, 2009**

(54) **PROTECTIVE HELMET MASK**

(76) Inventors: **Michael Allan Polstein**, 9035 SW. 96 St., Miami, FL (US) 33176; **Jason Michael Polstein**, 9035 SW. 96 St., Miami, FL (US) 33176; **Matthew Even Polstein**, 9035 SW. 96 St., Miami, FL (US) 33176; **Lauren Rachel Polstein**, 9035 SW. 96 St., Miami, FL (US) 33176; **Carole McShane Polstein**, 9035 SW. 96 St., Miami, FL (US) 33176

(**) Term: **14 Years**

(21) Appl. No.: **29/322,114**

(22) Filed: **Jul. 29, 2008**

(51) **LOC (9) Cl.** **29-02**

(52) **U.S. Cl.** **D29/122**

(58) **Field of Classification Search** D29/102-111, D29/122; 2/9, 410-414, 416-425, 209.13, 2/906, DIG. 1, 8.1-8.2, 8.6, 8.7, 171.3, 427, 2/429, 10; 62/3.5, 259.3; 128/204.15, 889, 128/201.24, 201.15, 857-858
See application file for complete search history.

(56) **References Cited**

U.S. PATENT DOCUMENTS

| | | | | |
|--------------|---------|-----------------|-------|---------|
| D249,397 S * | 9/1978 | Humphrey et al. | | D29/111 |
| D289,569 S * | 4/1987 | Nimmons | | D29/111 |
| D298,868 S * | 12/1988 | Klindt | | D29/111 |
| D358,686 S * | 5/1995 | Kraemer | | D29/111 |

| | | | | |
|-------------------|---------|------------------|-------|---------|
| 5,963,990 A * | 10/1999 | White | | 2/424 |
| 6,763,524 B2 * | 7/2004 | Halstead et al. | | 2/9 |
| D508,298 S * | 8/2005 | Bernacchi et al. | | D29/111 |
| D517,250 S * | 3/2006 | Polstein | | D29/122 |
| D587,857 S * | 3/2009 | Nimmons et al. | | D29/122 |
| D590,106 S * | 4/2009 | Nimmons | | D29/122 |
| D598,610 S * | 8/2009 | Soukup et al. | | D29/106 |
| 2007/0250990 A1 * | 11/2007 | Brown et al. | | 2/414 |
| 2009/0044316 A1 * | 2/2009 | Udelhofen | | 2/424 |

* cited by examiner

Primary Examiner—Ruth McInroy

(57) **CLAIM**

The ornamental design for a protective helmet mask, as shown and described.

DESCRIPTION

FIG. 1 is a right side-perspective view of a protective helmet mask showing our new design;

FIG. 2 is a front elevational view thereof;

FIG. 3 is a rear elevational view thereof;

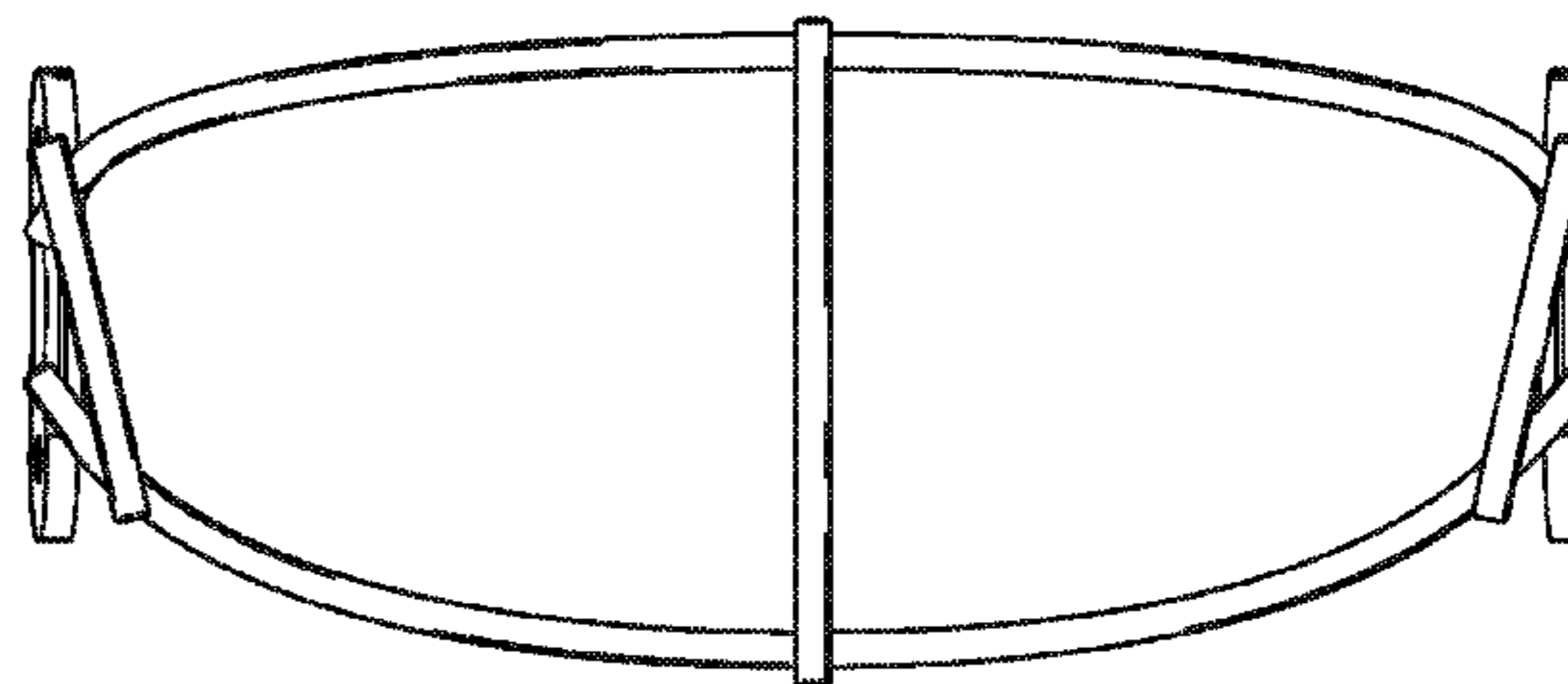
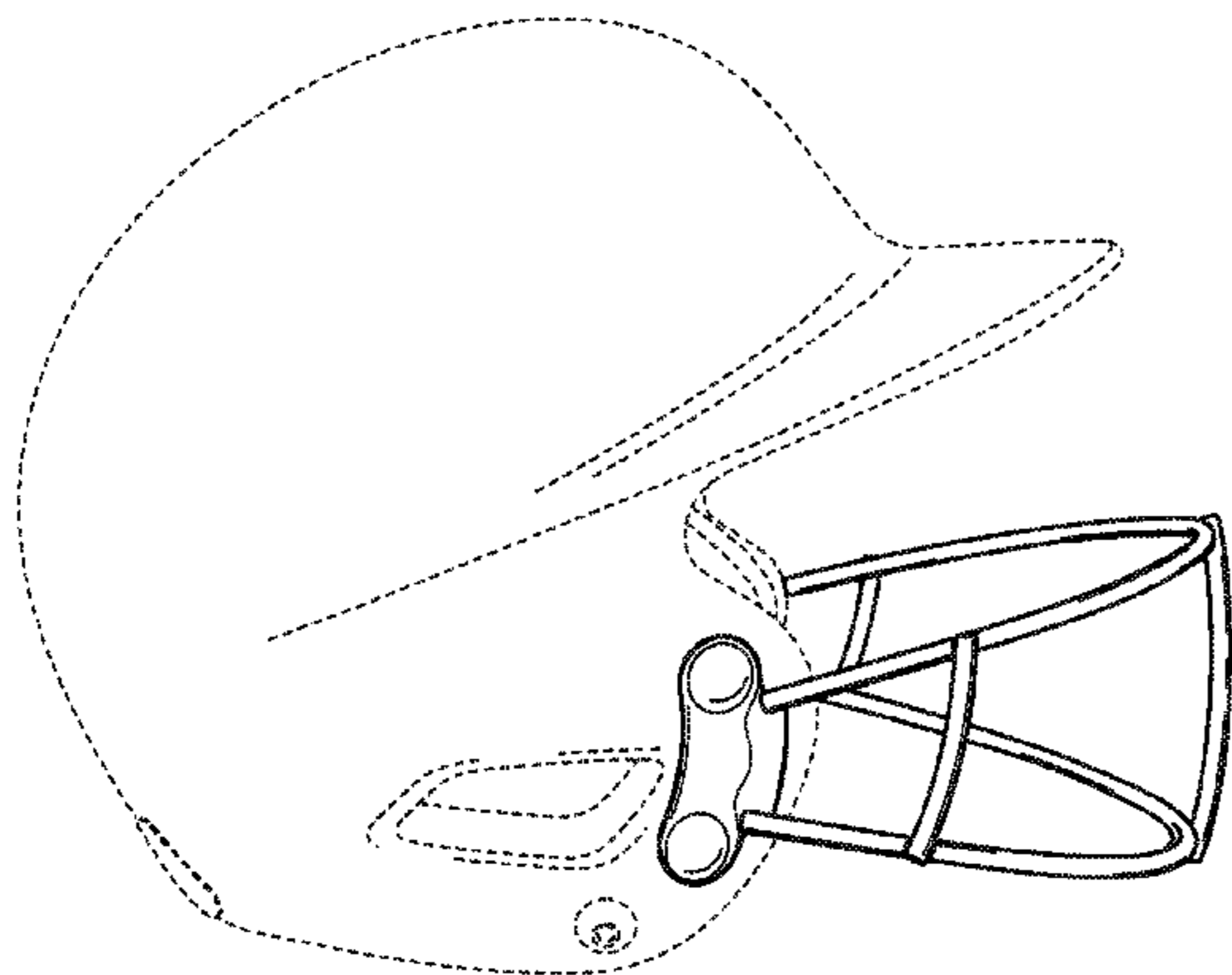
FIG. 4 is a left-side elevational view thereof;

FIG. 5 is a top plan view thereof; and,

FIG. 6 is a bottom plan view thereof.

The broken lines showing a helmet in FIG. 1 are included for the purpose of illustrating the invention in use, and form no part of the claimed design.

1 Claim, 3 Drawing Sheets



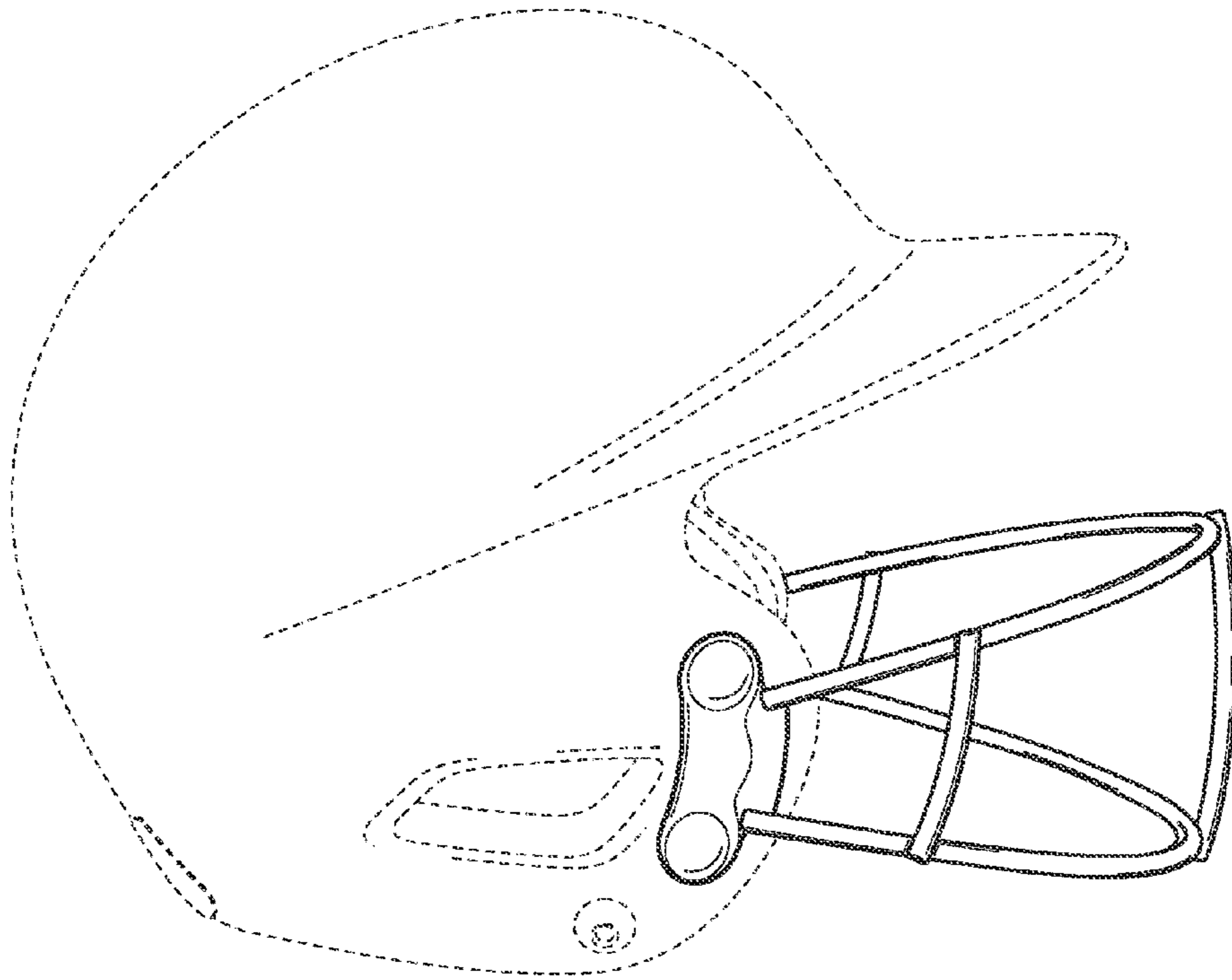


FIG. 1

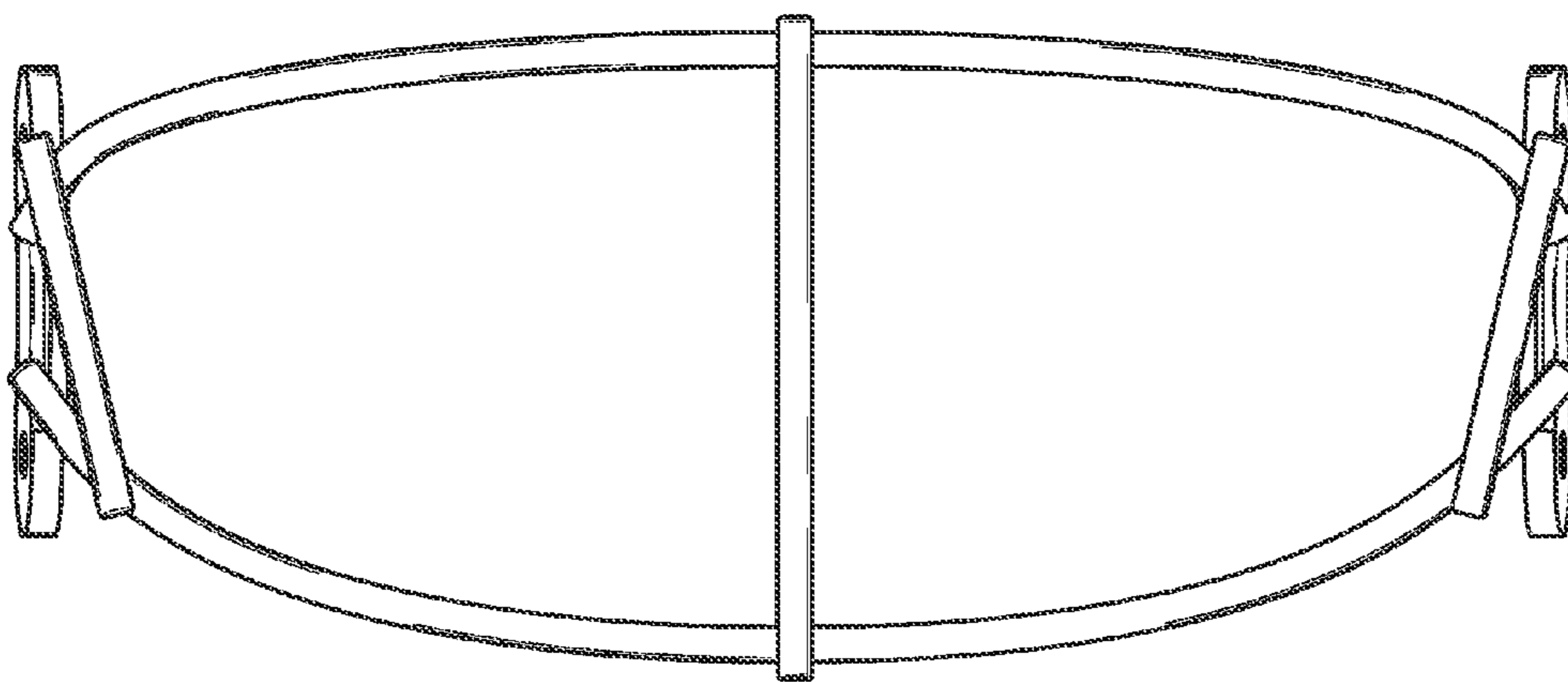


FIG. 2

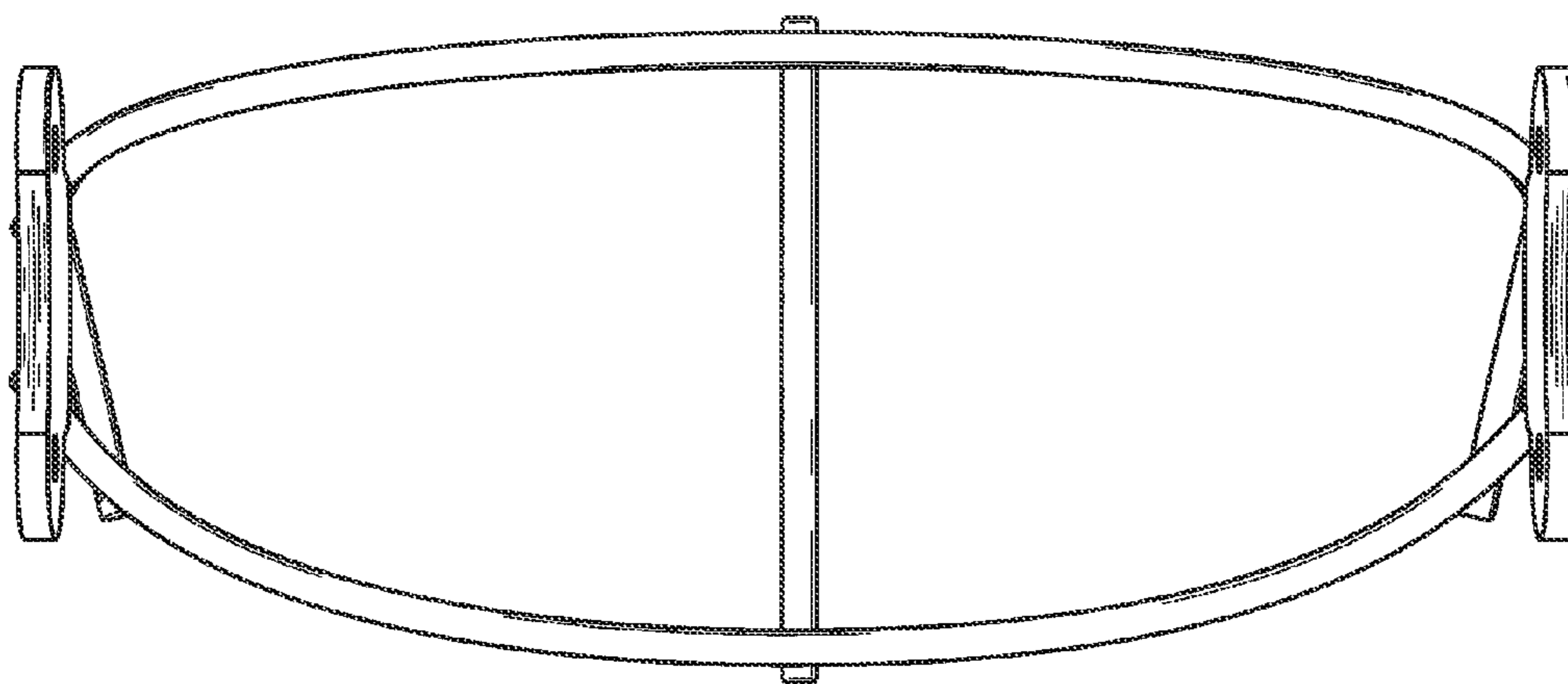


FIG. 3

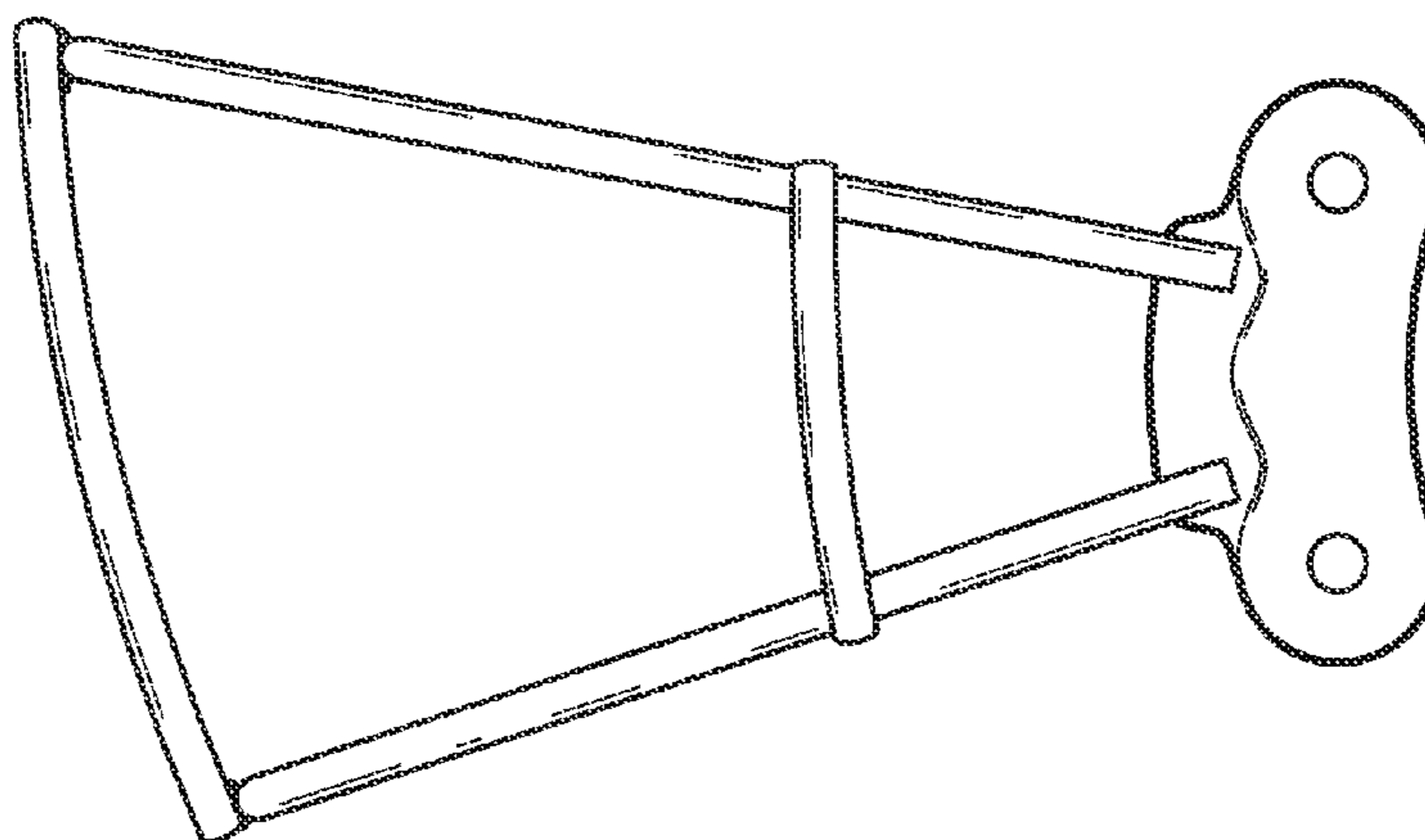


FIG. 4

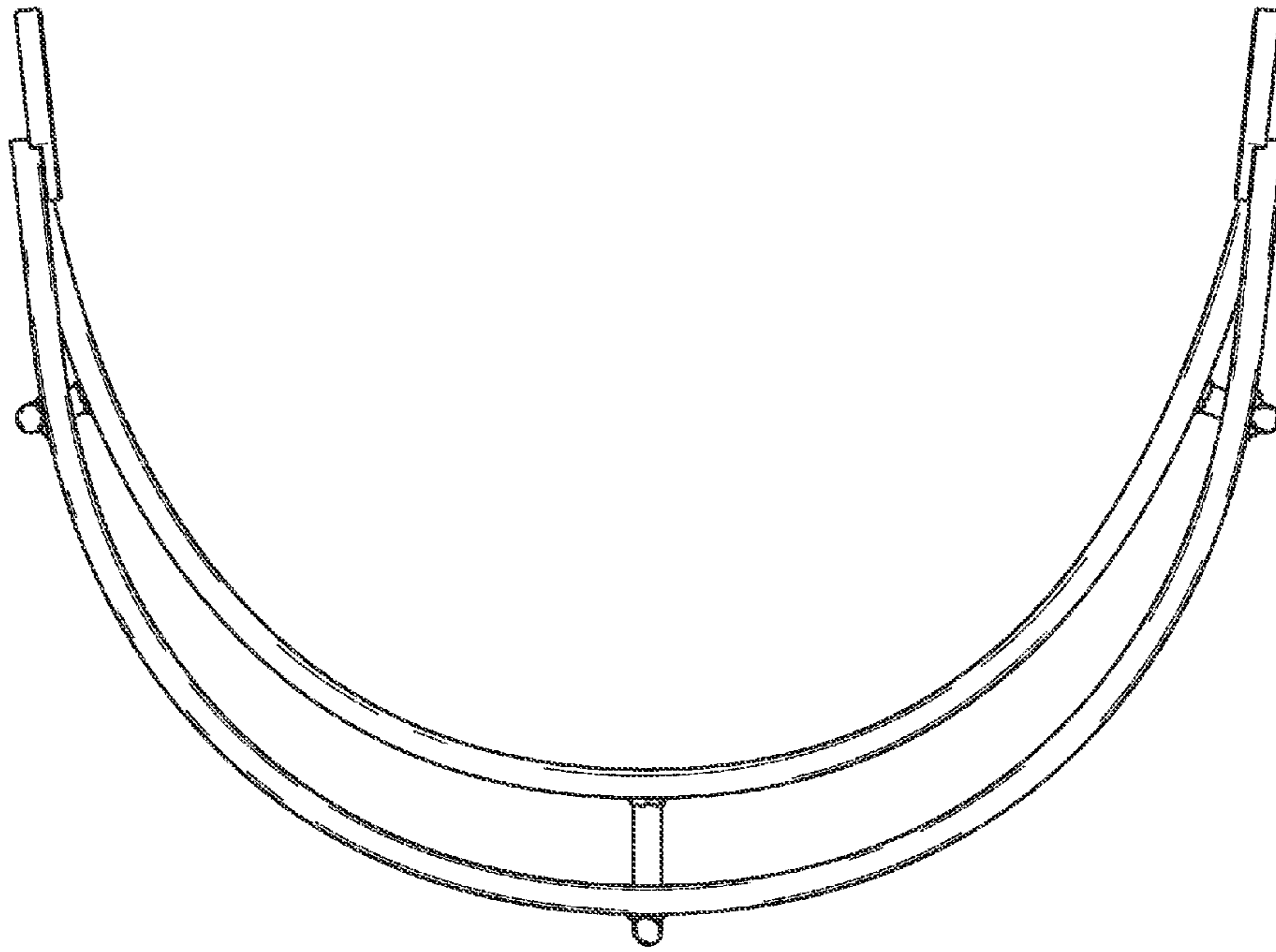


FIG. 5

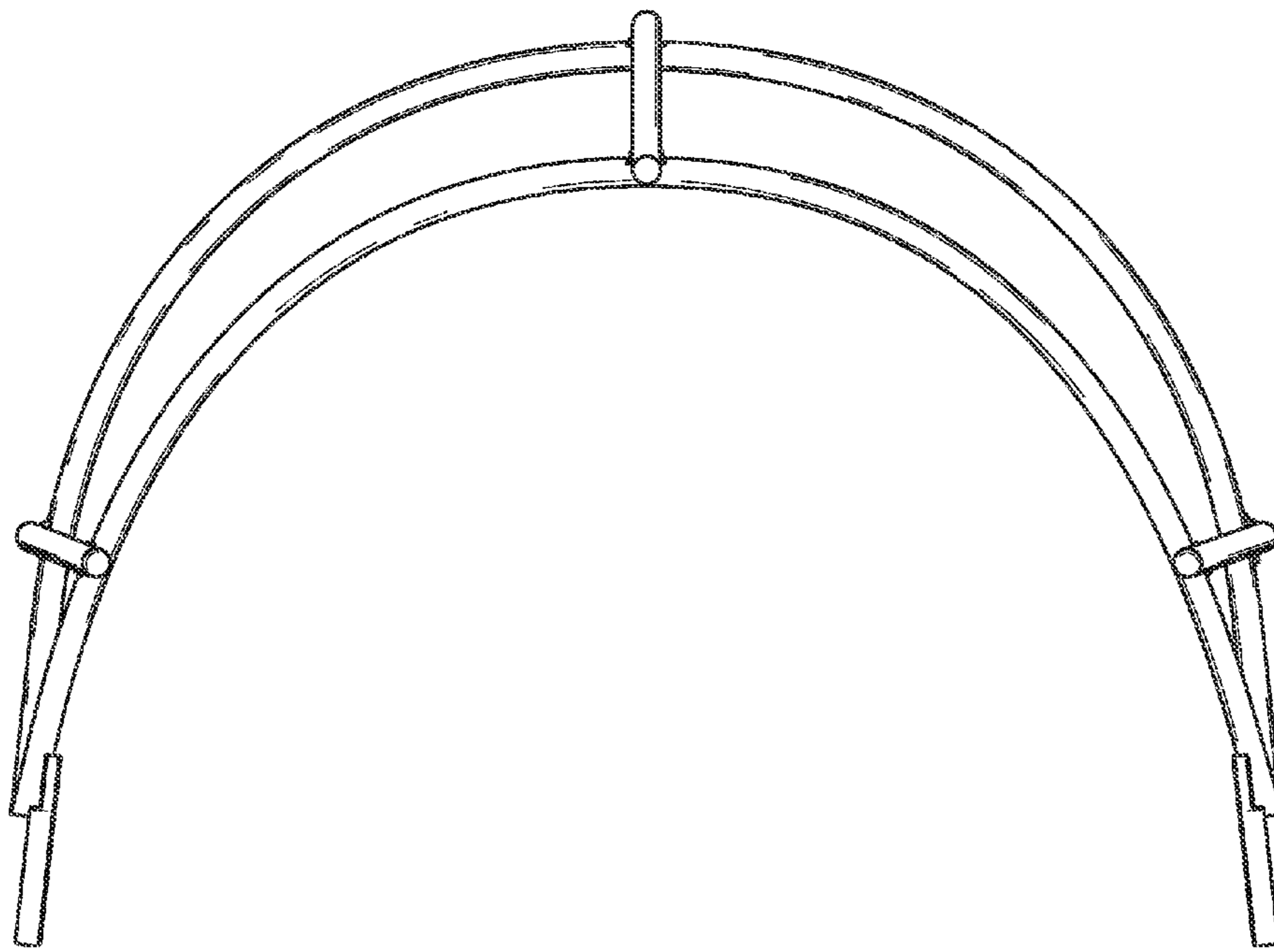


FIG. 6