



US00D602637S

(12) **United States Design Patent**
Helenowski

(10) **Patent No.:** **US D602,637 S**

(45) **Date of Patent:** **** Oct. 20, 2009**

(54) **COSMETIC HOLDER**

(76) Inventor: **Jacek Helenowski**, 4300 W. North Ave.,
Stone Park, IL (US) 60165

(**) Term: **14 Years**

(21) Appl. No.: **29/310,472**

(22) Filed: **Aug. 20, 2008**

(51) **LOC (9) Cl.** **28-03**

(52) **U.S. Cl.** **D28/76**

(58) **Field of Classification Search** D28/64.3,
D28/73, 76, 85-90, 77; 132/314, 317, 318,
132/320; 206/385, 581, 823

See application file for complete search history.

(56) **References Cited**

U.S. PATENT DOCUMENTS

1,496,575 A	6/1924	Hanna	
1,742,958 A	1/1930	Kaufman	
1,875,650 A	9/1932	Pemberton et al.	
2,094,006 A	9/1937	O'Moore-Farrell	
2,185,149 A	12/1939	Hallbauer	
2,258,542 A	10/1941	Cressaty	
2,269,750 A	1/1942	Baird	
2,494,375 A	1/1950	Bates et al.	
2,512,476 A	6/1950	Birnkrant et al.	
2,651,709 A	9/1953	Ross et al.	
2,678,995 A	5/1954	Miller	
2,779,344 A	1/1957	Hemmings et al.	
3,163,364 A	12/1964	Ritter et al.	
3,619,596 A	11/1971	Jackson	
3,714,411 A	1/1973	Waters et al.	
3,937,320 A	2/1976	Chao et al.	
D243,124 S	1/1977	Horowitz	
4,126,145 A	11/1978	Boyd	
D276,471 S	11/1984	Lo	
4,888,667 A	12/1989	Hwang	
4,905,128 A	2/1990	Caires	
D311,260 S *	10/1990	Hasert D28/85
5,025,354 A	6/1991	Kondo	
5,034,658 A	7/1991	Hierig et al.	
5,036,441 A	7/1991	Herron	
5,178,478 A	1/1993	Ryder	

D354,373 S	1/1995	Khoury	
D386,828 S	11/1997	Pullman	
5,688,037 A	11/1997	Chen	
5,860,755 A	1/1999	Bunk	
D413,184 S *	8/1999	Cooper D28/64.3
5,983,905 A	11/1999	Patching	
D424,244 S	5/2000	Gerbron	
6,224,236 B1	5/2001	Shu	
D467,039 S	12/2002	Fuller	
D468,059 S	12/2002	Fuller	
D471,324 S	3/2003	Kalin	
D473,974 S	4/2003	Fuller	
D480,513 S	10/2003	Fuller	
D492,448 S *	6/2004	Gatti D28/85
6,789,972 B2	9/2004	Nadel	
D505,519 S	5/2005	Korba	
6,991,345 B2	1/2006	Helenowski	
7,270,440 B2	9/2007	Levy et al.	
D565,248 S	3/2008	Squirewell	
2002/0002758 A1	1/2002	Stura et al.	

* cited by examiner

Primary Examiner—Jennifer Rivard
(74) *Attorney, Agent, or Firm*—Susan L. Lukasik

(57) **CLAIM**

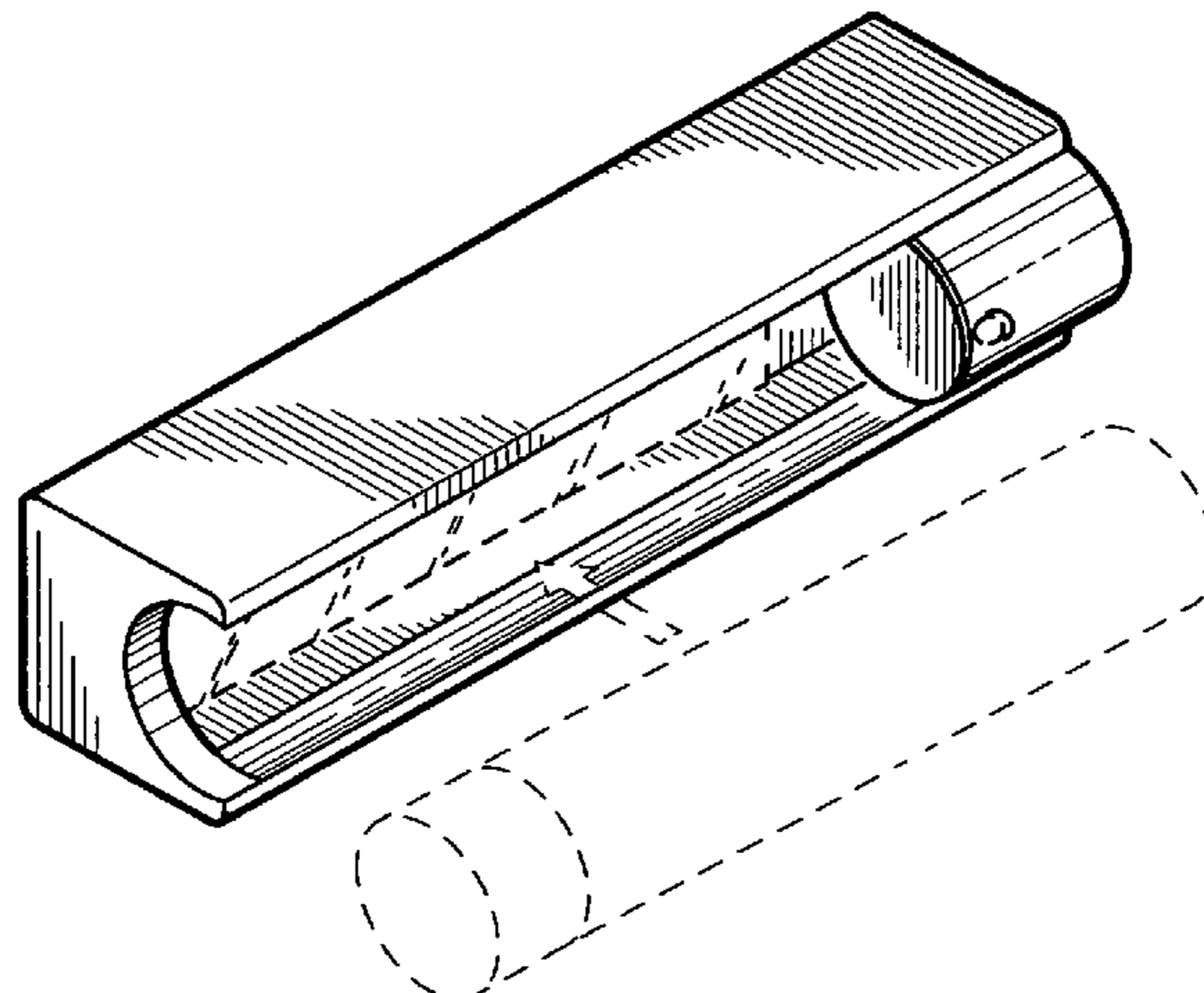
The ornamental design for a cosmetic holder, as shown and described.

DESCRIPTION

FIG. 1 is a perspective view of an ornamental design for a cosmetic holder;
FIG. 2 is a right side elevation view thereof;
FIG. 3 is a top plan view thereof;
FIG. 4 is a bottom plan view thereof;
FIG. 5 is a rear elevation view thereof; and,
FIG. 6 is a left side elevation thereof.

The broken lines shown in the drawings illustrate portions of the cosmetic holder and environment and form no part of the claimed design.

1 Claim, 1 Drawing Sheet



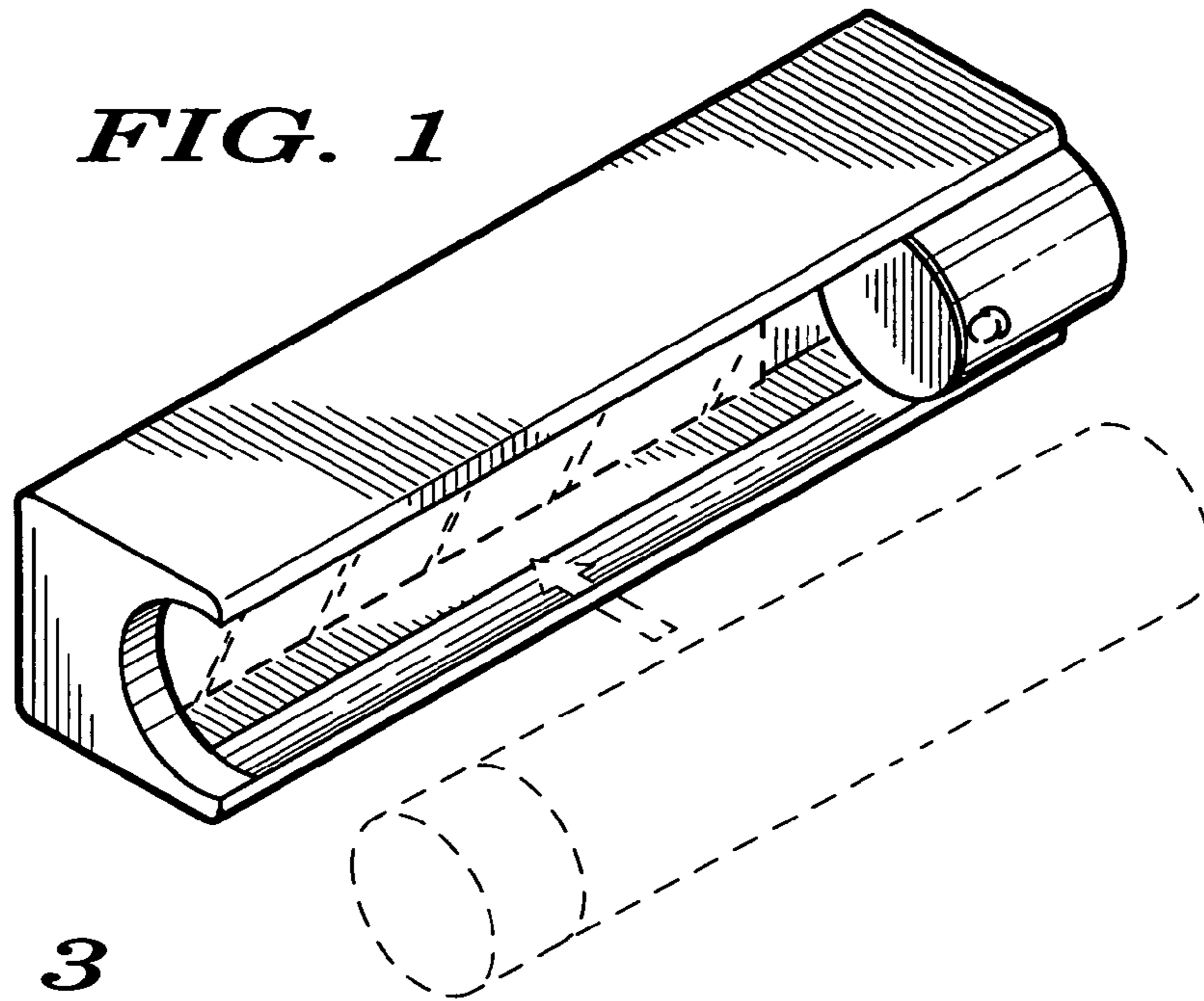


FIG. 3

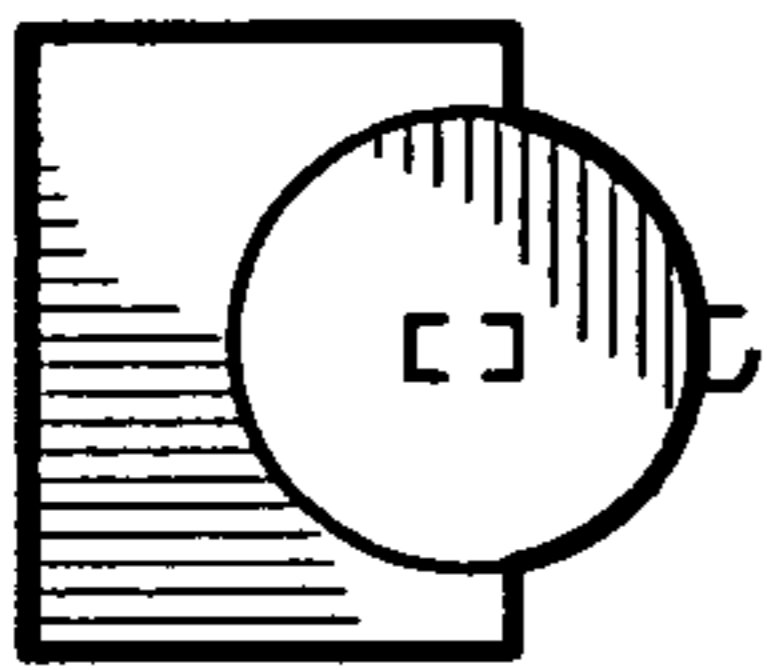


FIG. 2

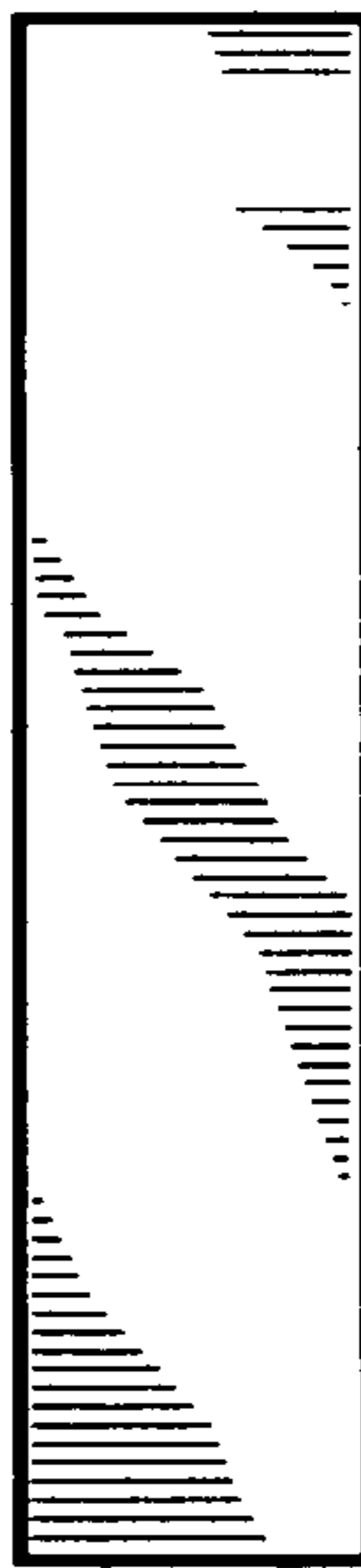


FIG. 5

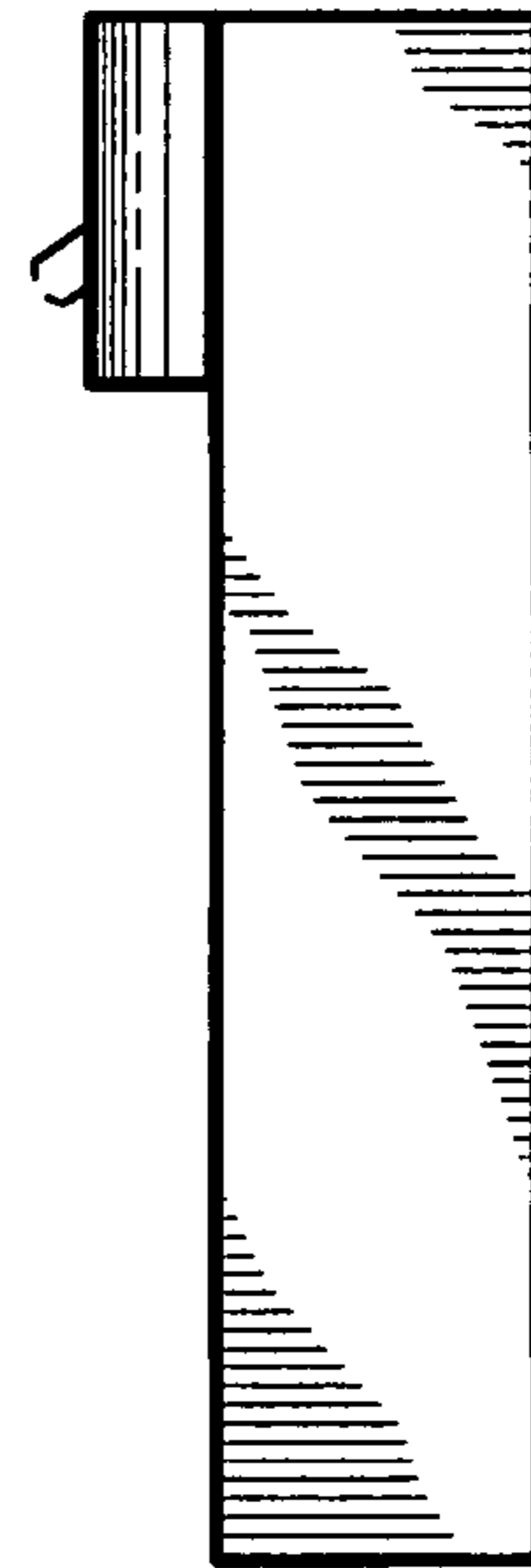


FIG. 6

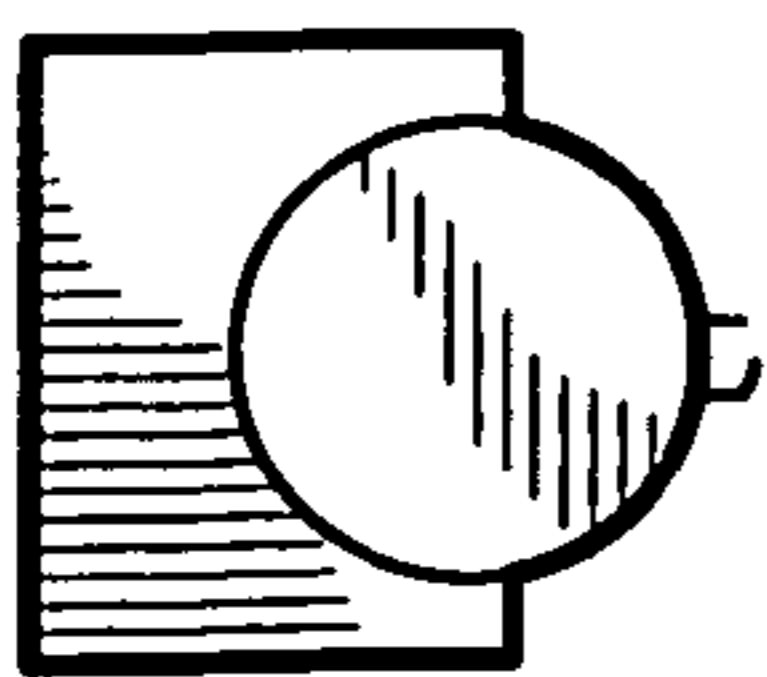


FIG. 4