



US00D602636S

(12) **United States Design Patent**
Lother et al.

(10) **Patent No.:** **US D602,636 S**
(45) **Date of Patent:** **** Oct. 20, 2009**

(54) **CLIPPER HEAD**

(75) Inventors: **Troy J Lother**, Kenosha, WI (US); **Earl D. Wilson**, Ingleside, IL (US); **John Kutsch**, Harvard, IL (US)

(73) Assignee: **Medline Industries Inc**, Mundelein, IL (US)

(**) Term: **14 Years**

(21) Appl. No.: **29/333,120**

(22) Filed: **Mar. 3, 2009**

(51) **LOC (9) Cl.** **28-03**

(52) **U.S. Cl.** **D28/54**

(58) **Field of Classification Search** D28/44,
D28/49-54; 30/32, 34.05, 34.1, 34.2, 41,
30/44-45, 43-43.92, 346.5-346.61, 526-527
See application file for complete search history.

(56) **References Cited**

U.S. PATENT DOCUMENTS

D423,720 S 4/2000 Nielsen
D451,639 S * 12/2001 Lior D28/53

(Continued)

Primary Examiner—Jennifer Rivard

(74) *Attorney, Agent, or Firm*—David S. Noskowitz

(57) **CLAIM**

The ornamental design for a clipper head, as shown and described.

DESCRIPTION

FIG. 1 is a perspective view of a first embodiment of an ornamental design of a clipper head.

FIG. 2 is a front view of the first embodiment thereof.

FIG. 3 is a rear view of the first embodiment thereof.

FIG. 4 is a first side view of the first embodiment thereof.

FIG. 5 is a second side view of the first embodiment thereof.

FIG. 6 is a top view of the first embodiment thereof.

FIG. 7 is a bottom view of the first embodiment thereof.

FIG. 8 is a perspective view of a second embodiment of an ornamental design of a clipper head.

FIG. 9 is a front view of the second embodiment thereof.

FIG. 10 is a rear view of the second embodiment thereof.

FIG. 11 is a first side view of the second embodiment thereof.

FIG. 12 is a second side view of the second embodiment thereof.

FIG. 13 is a top view of the second embodiment thereof.

FIG. 14 is a bottom view of the second embodiment thereof.

FIG. 15 is a perspective view of a third embodiment of an ornamental design of a clipper head.

FIG. 16 is a front view of the third embodiment thereof.

FIG. 17 is a rear view of the third embodiment thereof.

FIG. 18 is a first side view of the third embodiment thereof.

FIG. 19 is a second side view of the third embodiment thereof.

FIG. 20 is a top view of the third embodiment thereof.

FIG. 21 is a bottom view of the third embodiment thereof.

FIG. 22 is a perspective view of an ornamental design of a clipper head.

FIG. 23 is a front view of a fourth embodiment of an ornamental design of a clipper head.

FIG. 24 is a rear view of the fourth embodiment thereof.

FIG. 25 is a first side view of the fourth embodiment thereof.

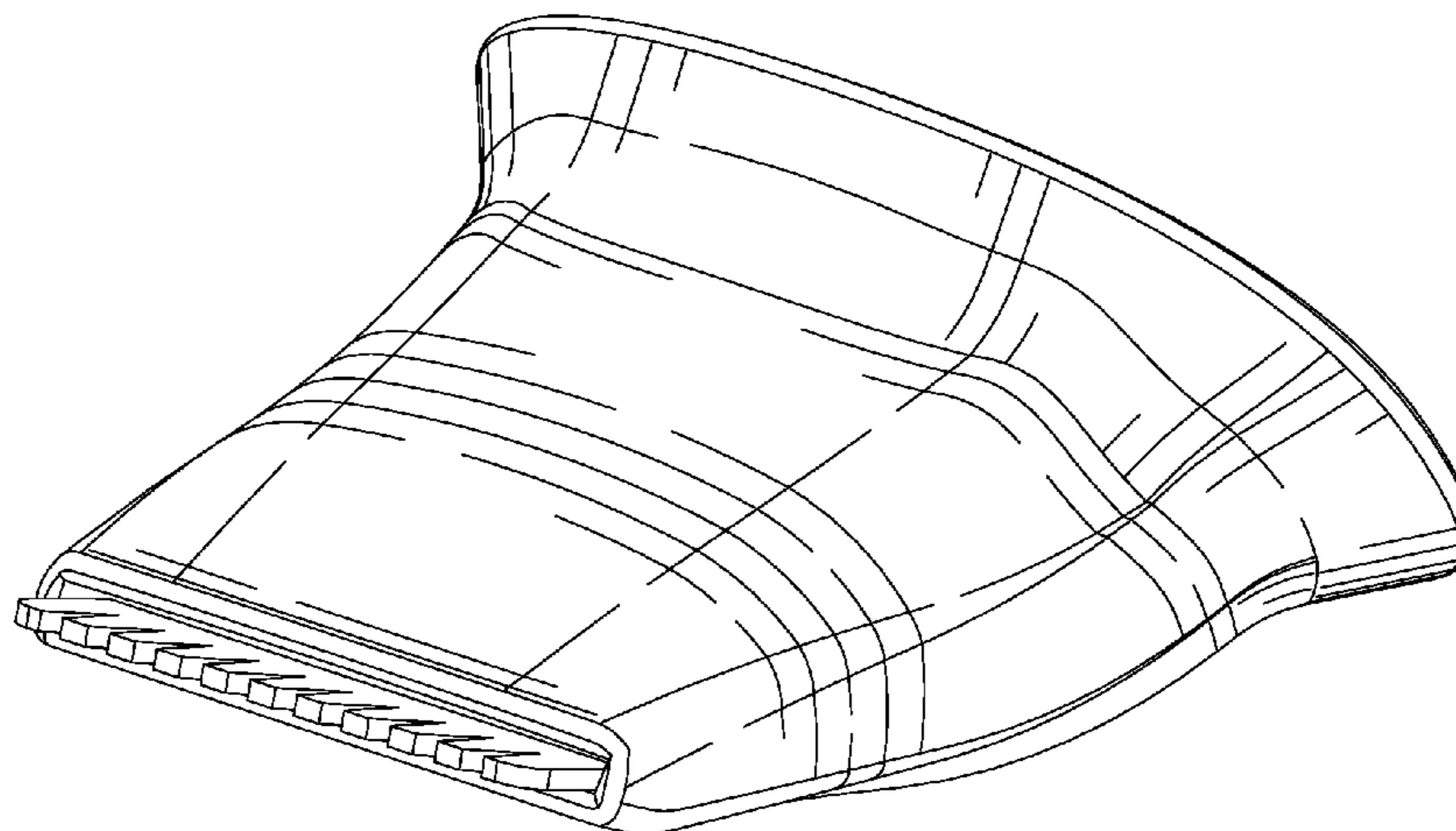
FIG. 26 is a second side view of the fourth embodiment thereof.

FIG. 27 is a top view of the fourth embodiment thereof; and,

FIG. 28 is a bottom view of the fourth embodiment thereof.

The broken lines shown in FIGS. 1-16 and FIG. 23 are included for the purpose of illustrating environmental elements only and form no part of the claimed design.

1 Claim, 16 Drawing Sheets



US D602,636 S

Page 2

U.S. PATENT DOCUMENTS

D535,786 S 1/2007 Gianninin
D558,399 S 12/2007 Seki
D567,444 S 4/2008 Giannini

D567,446 S * 4/2008 Hara et al. D28/54
D577,864 S 9/2008 Kitagawa
D583,098 S * 12/2008 Giannini D28/54

* cited by examiner

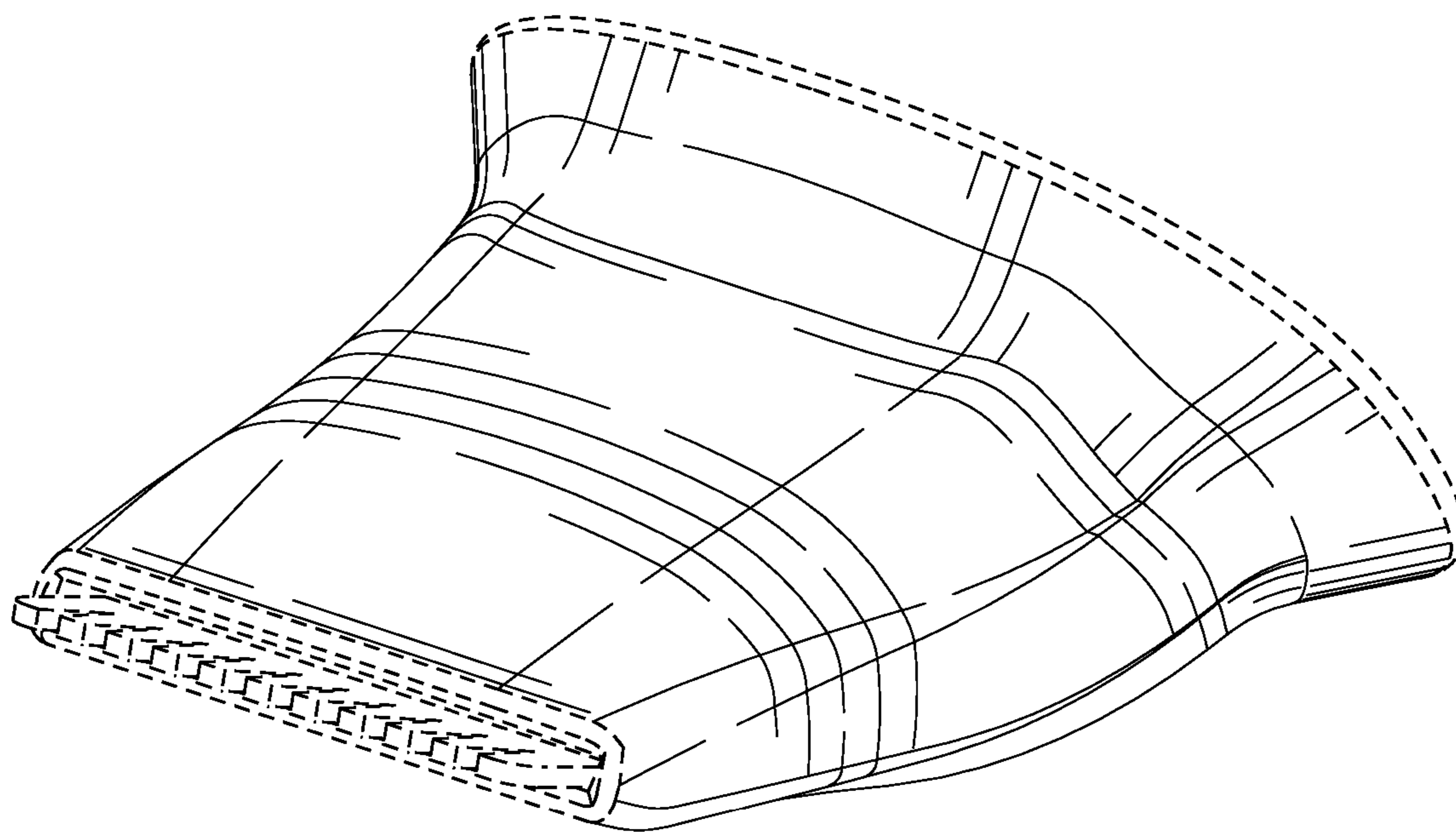


FIG. 1

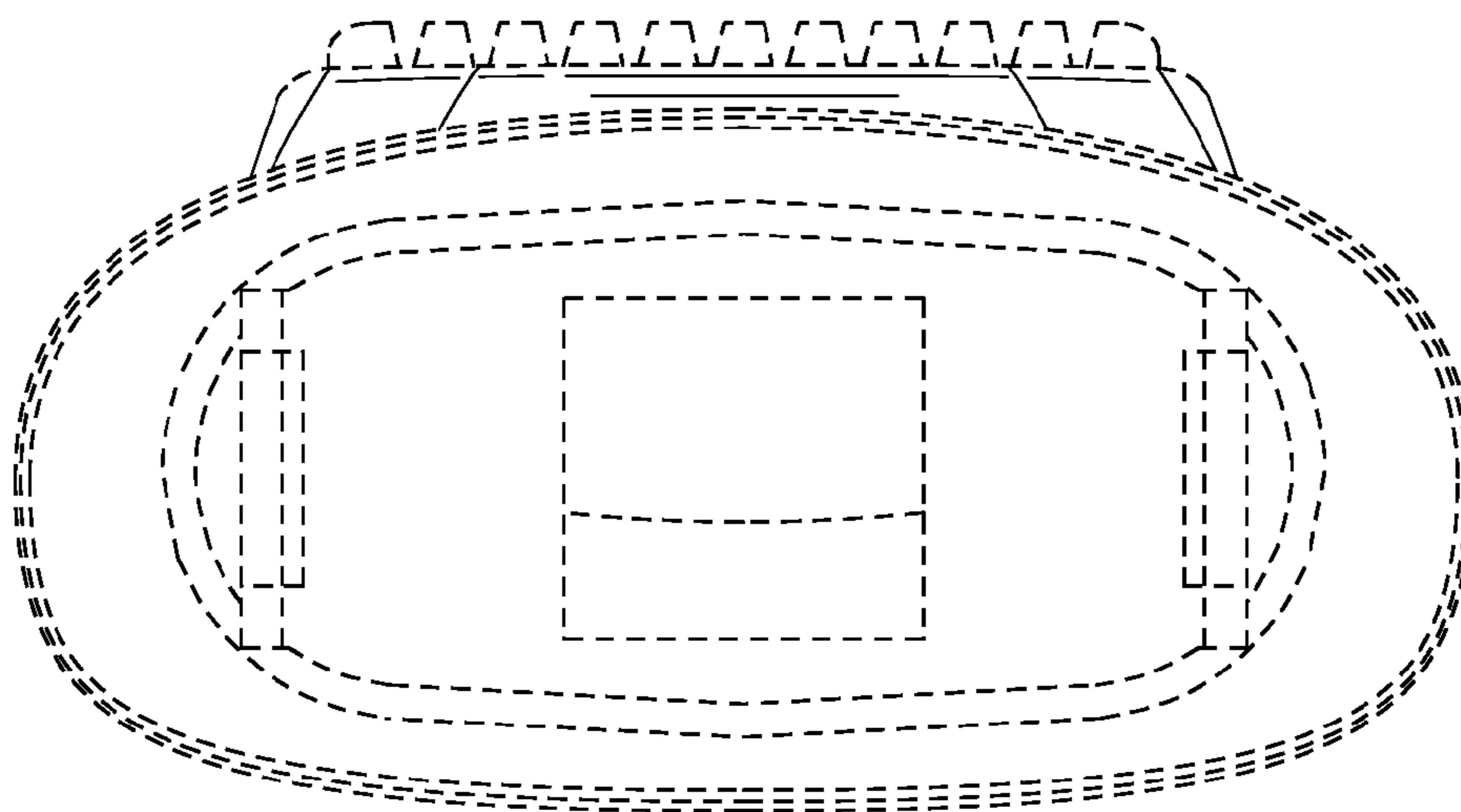


FIG. 2

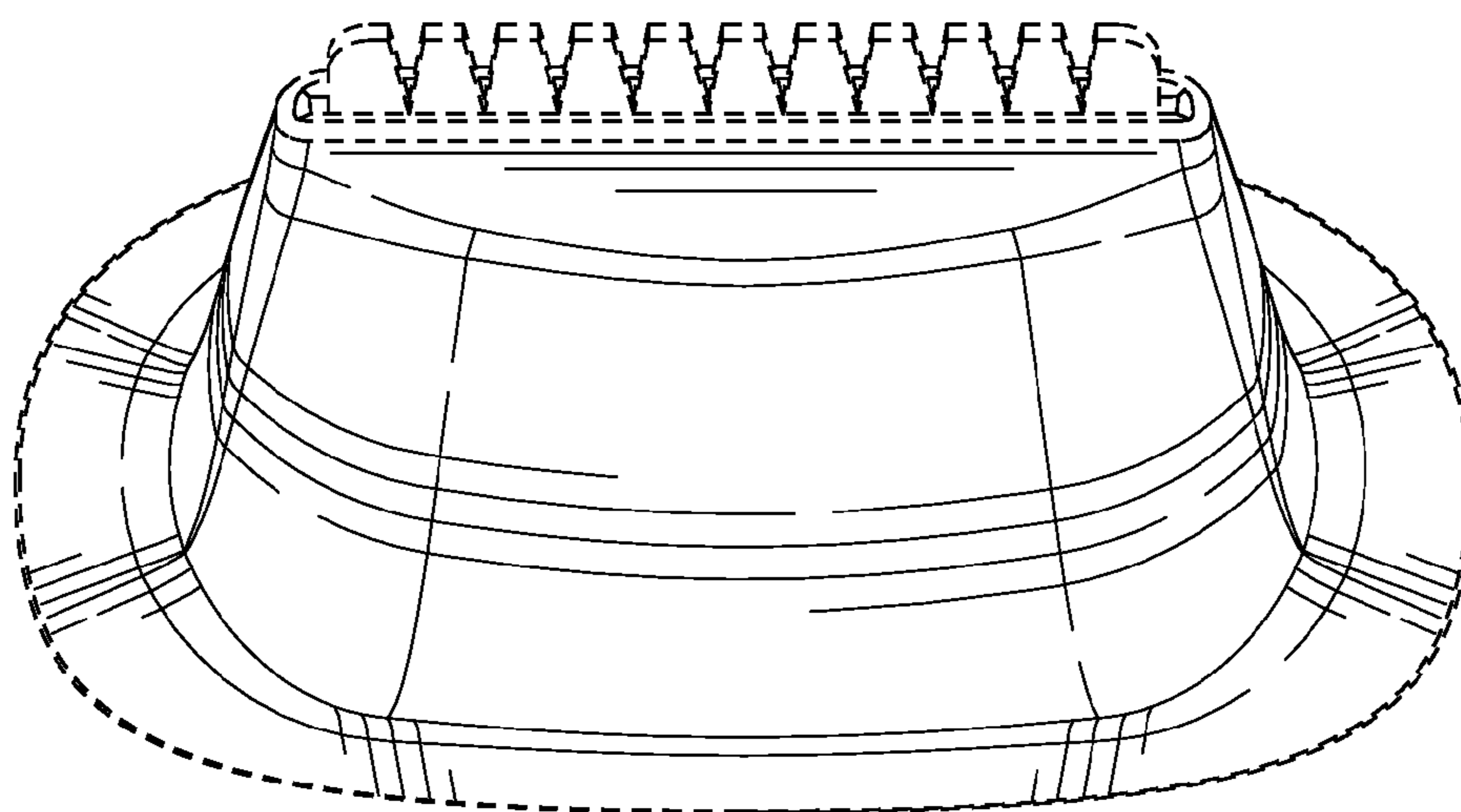


FIG. 3

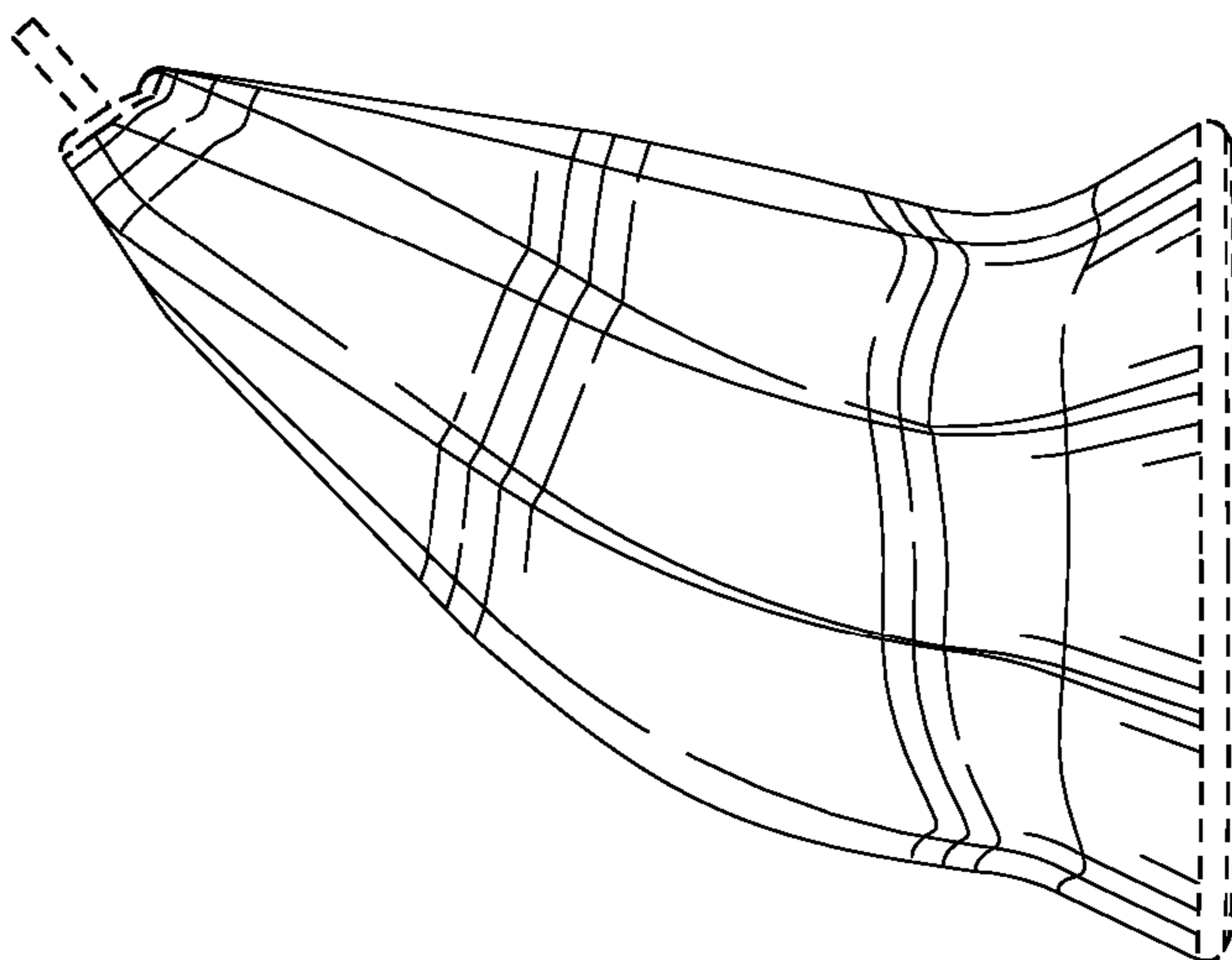


FIG. 4

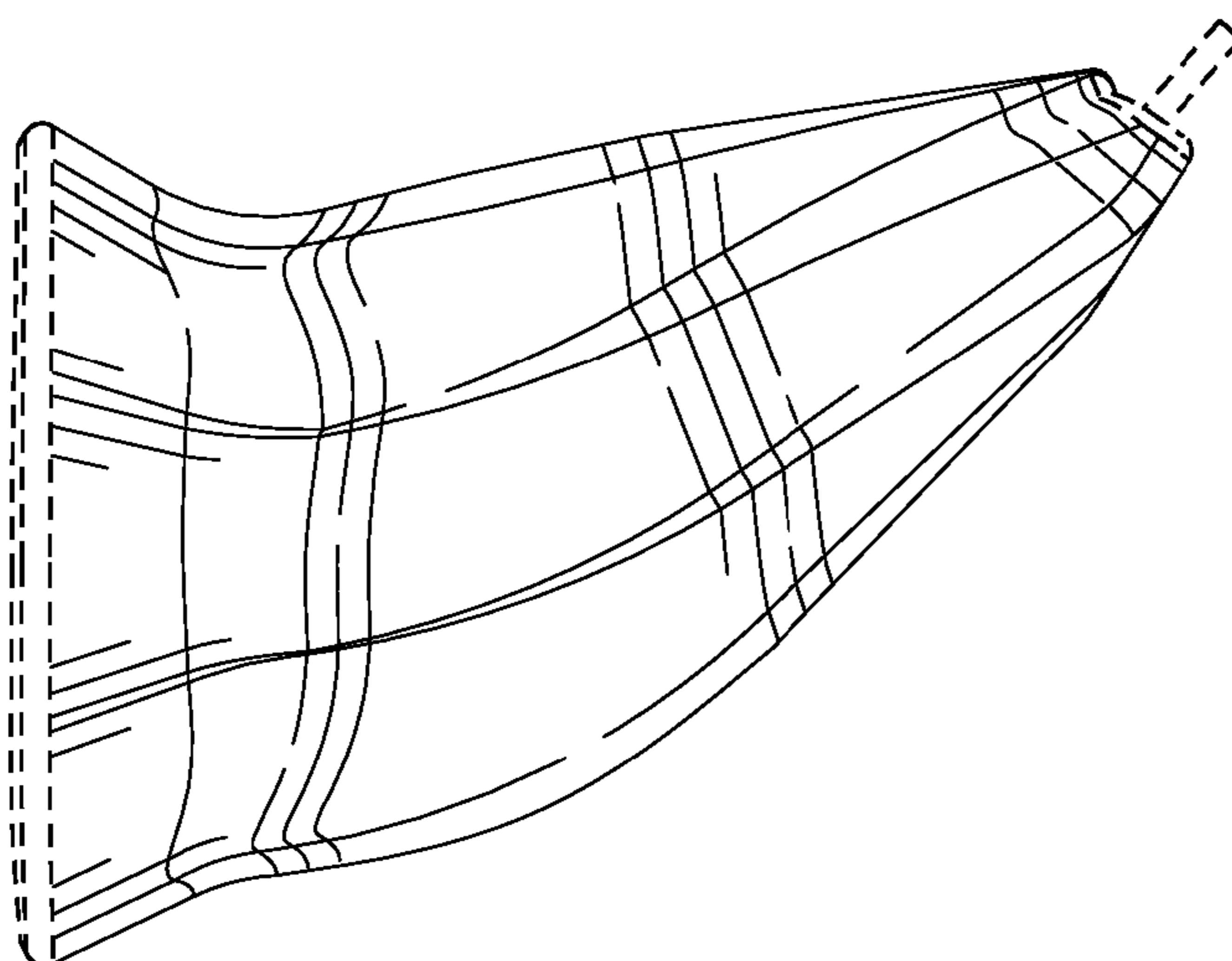


FIG. 5

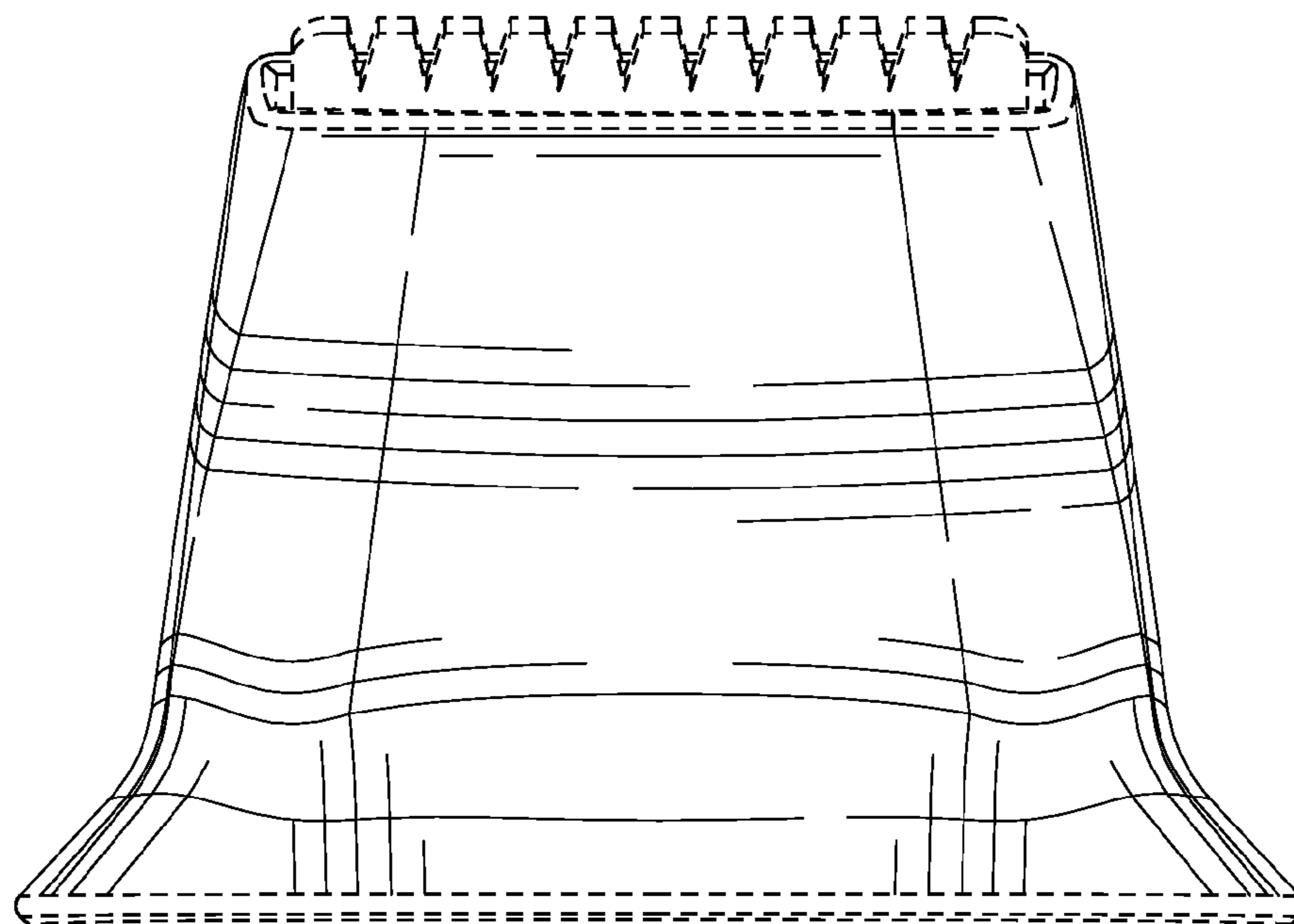


FIG. 6

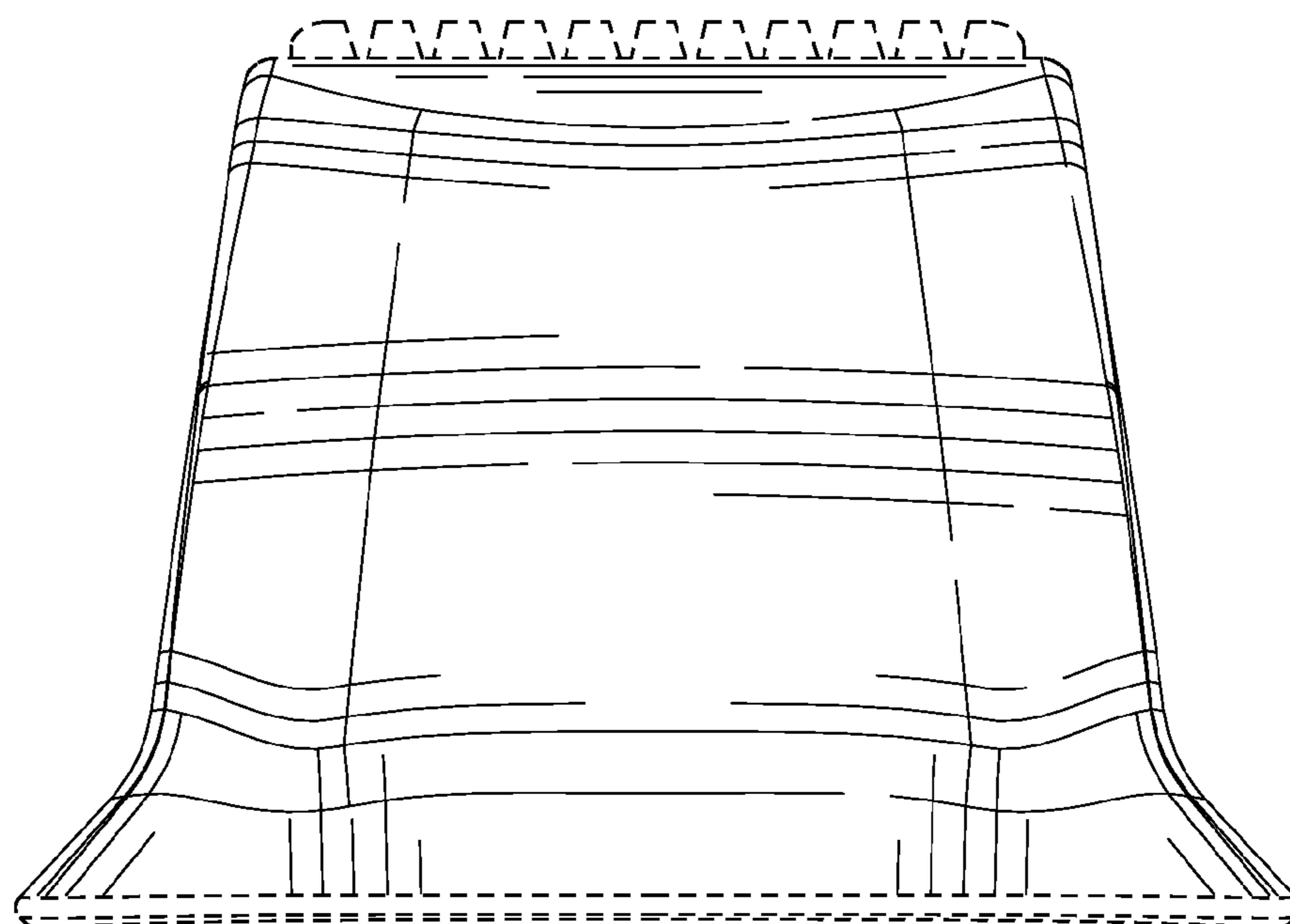


FIG. 7

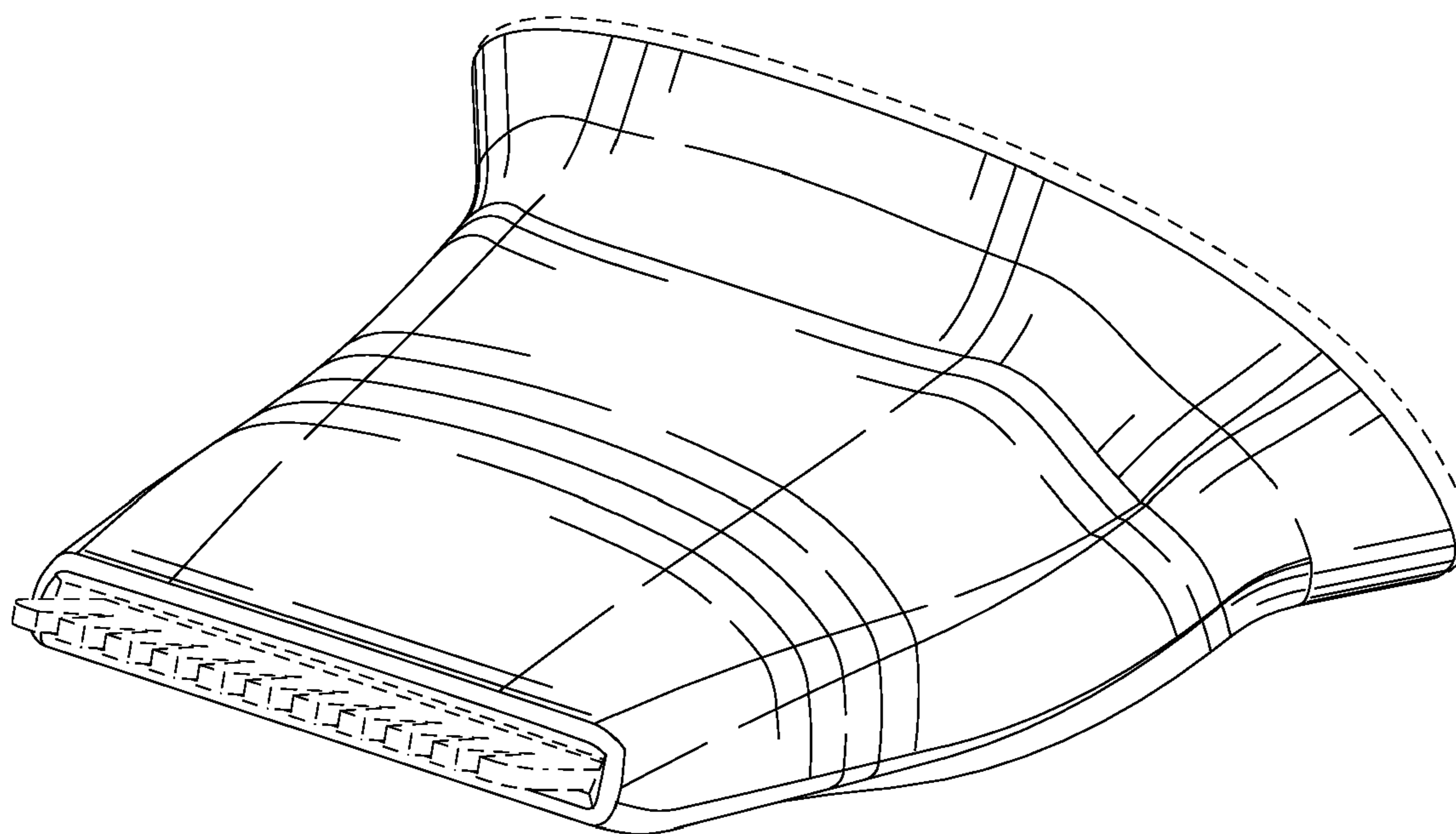


FIG. 8

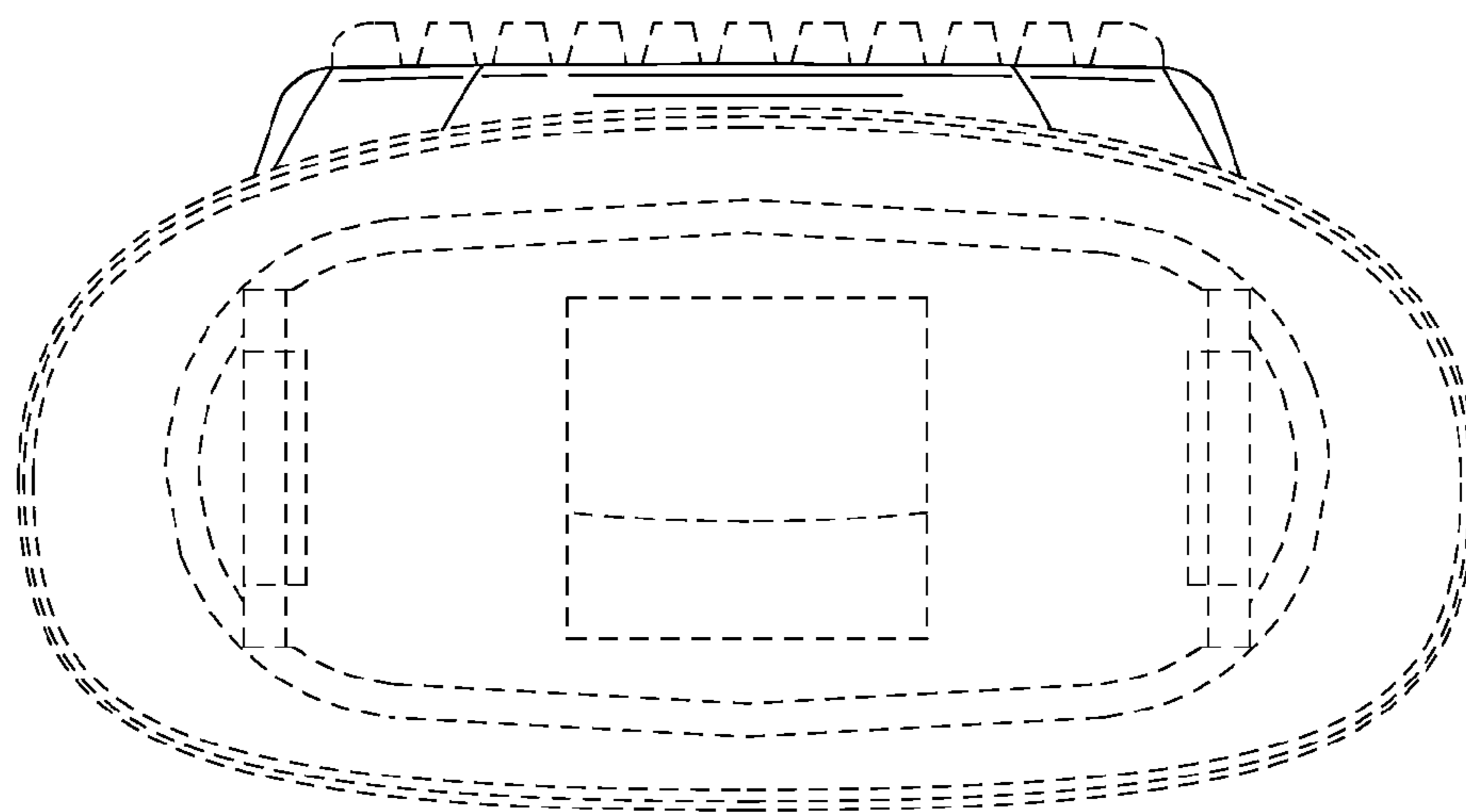


FIG. 9

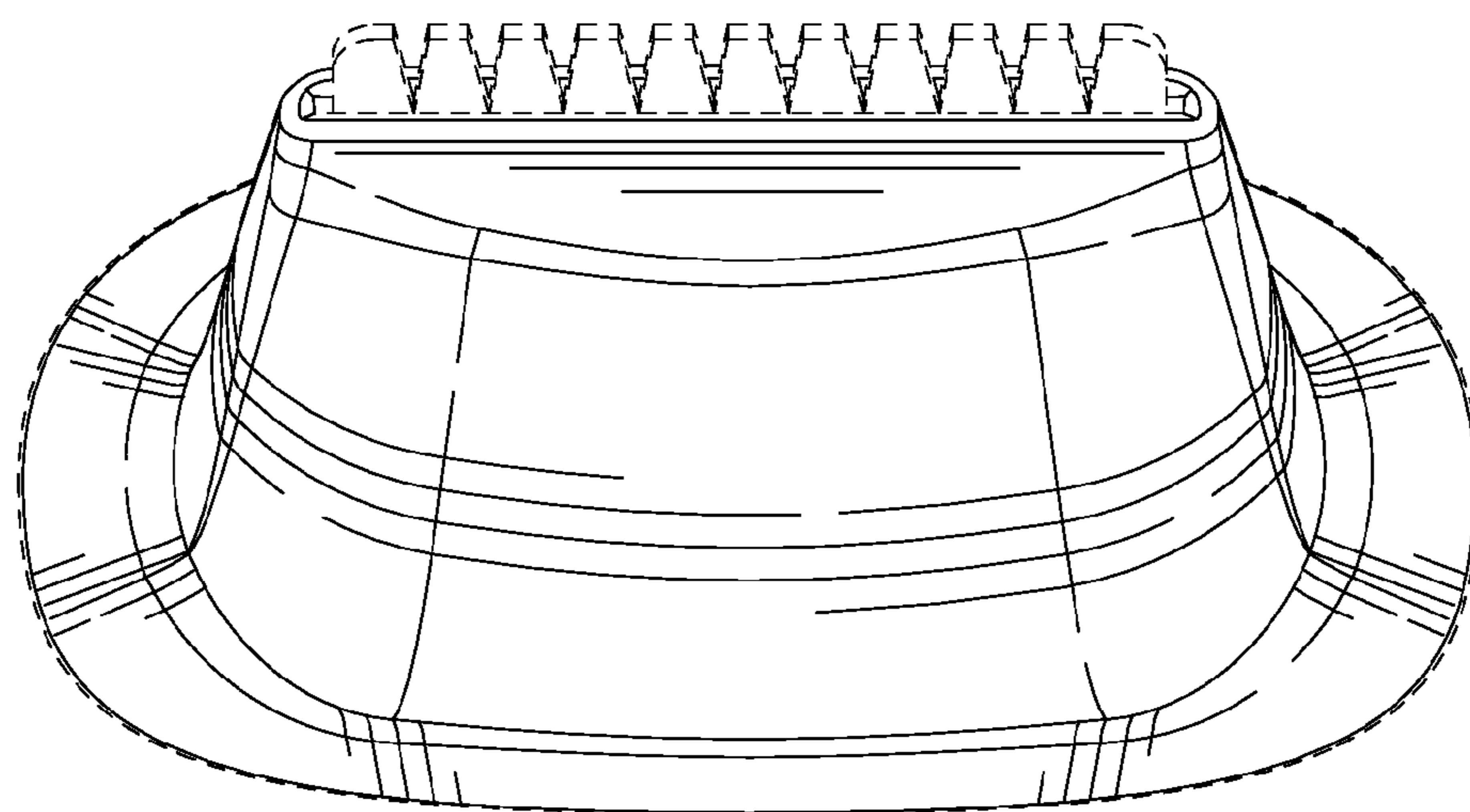


FIG. 10

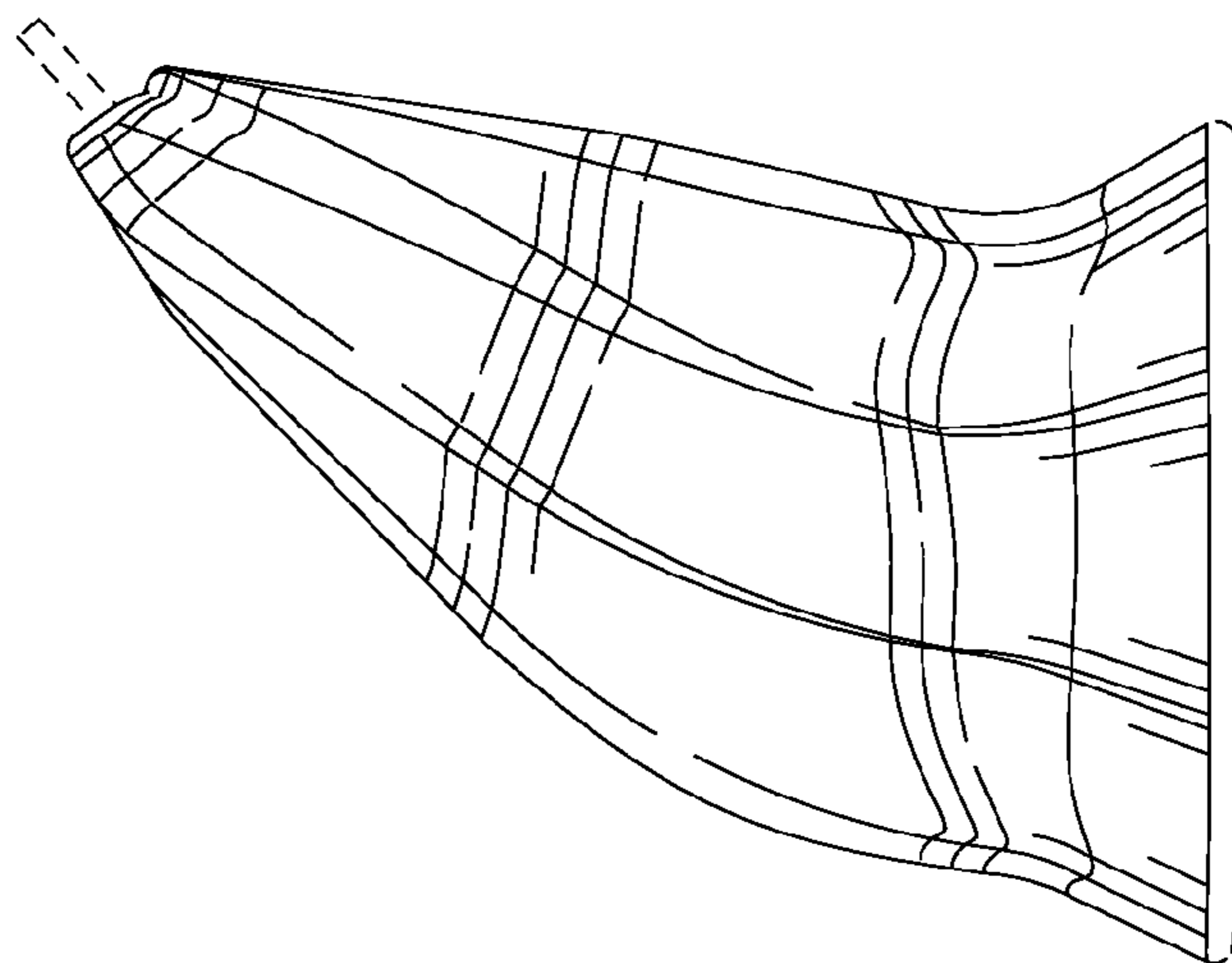


FIG. 11

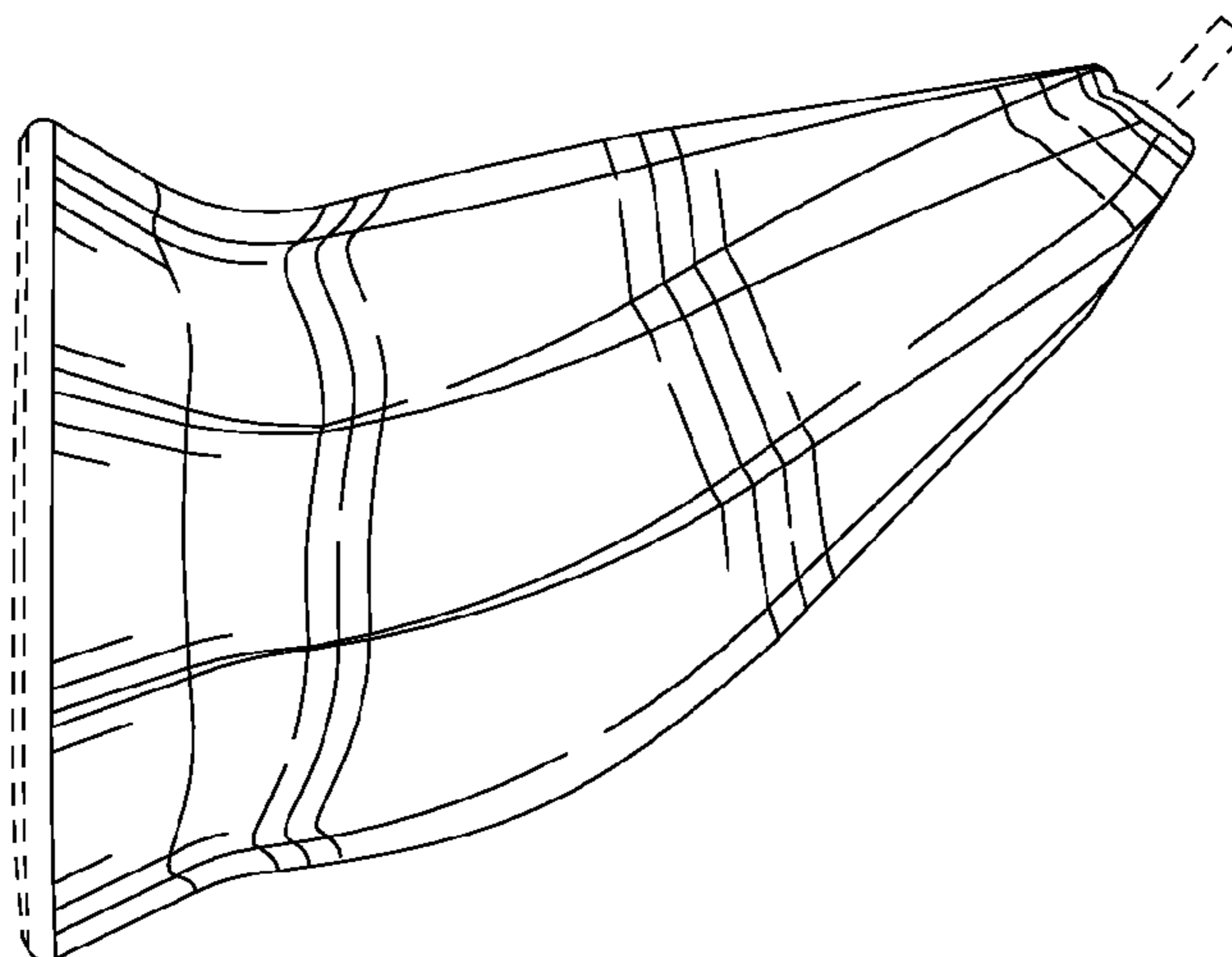


FIG. 12

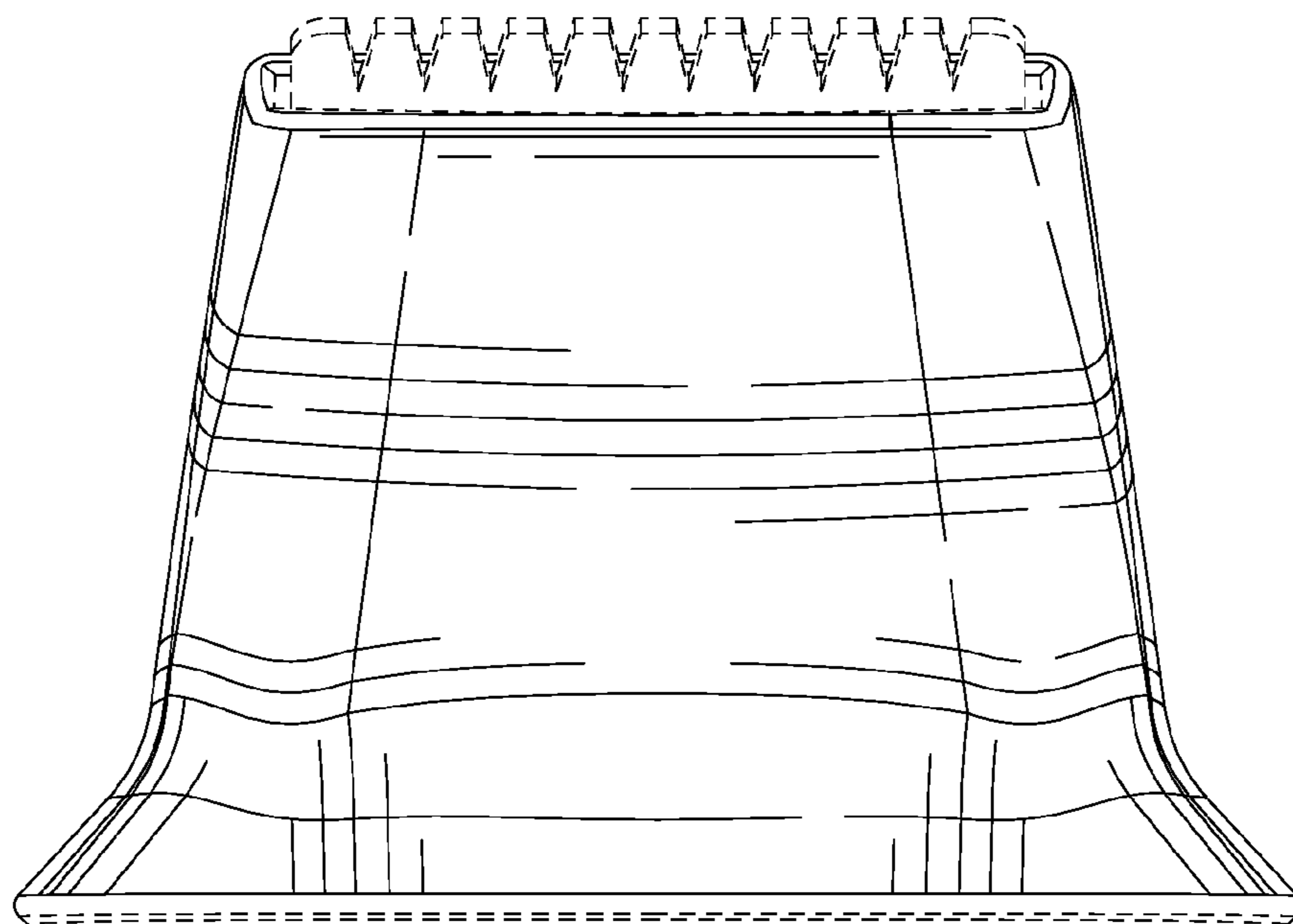


FIG. 13

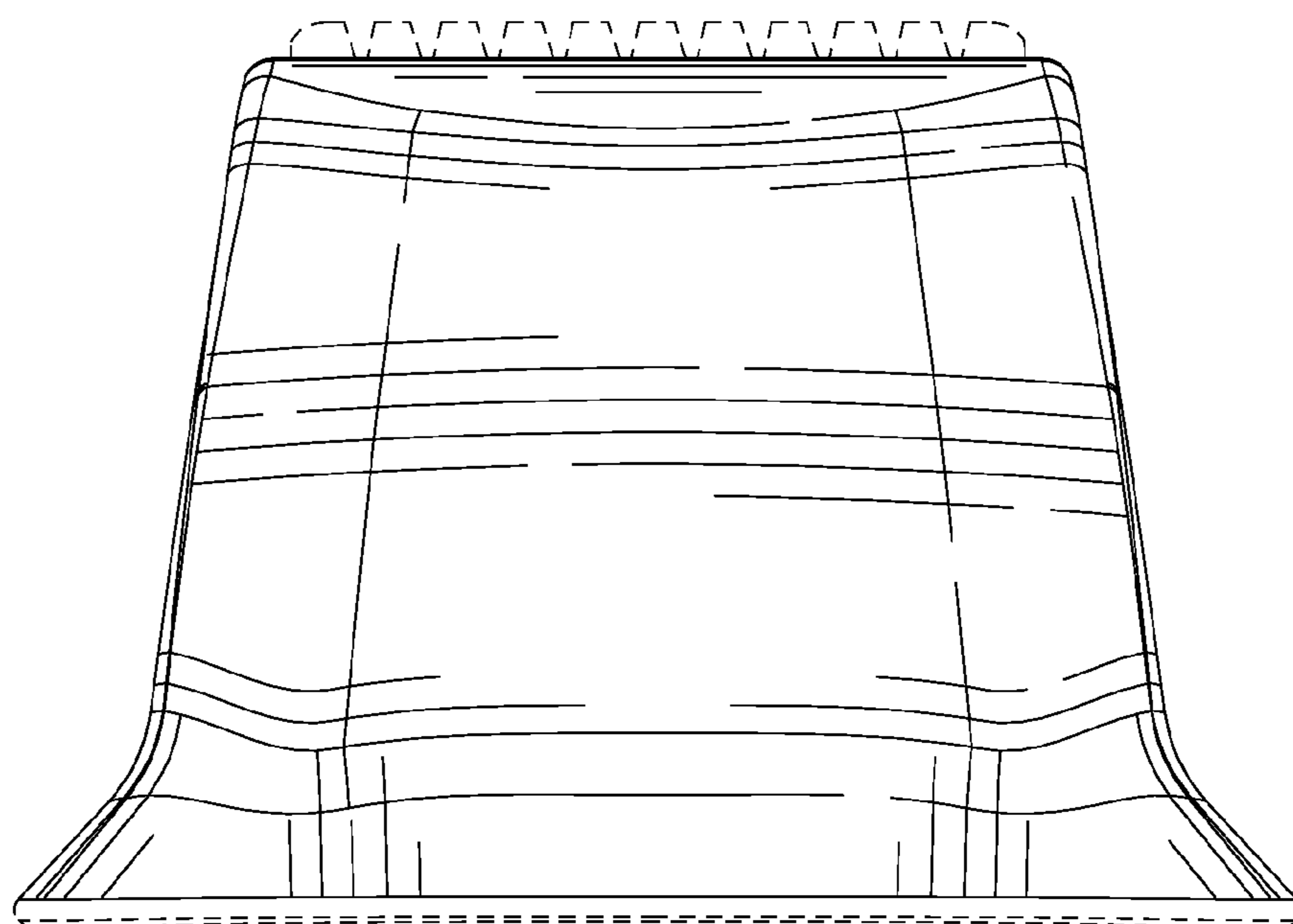


FIG. 14

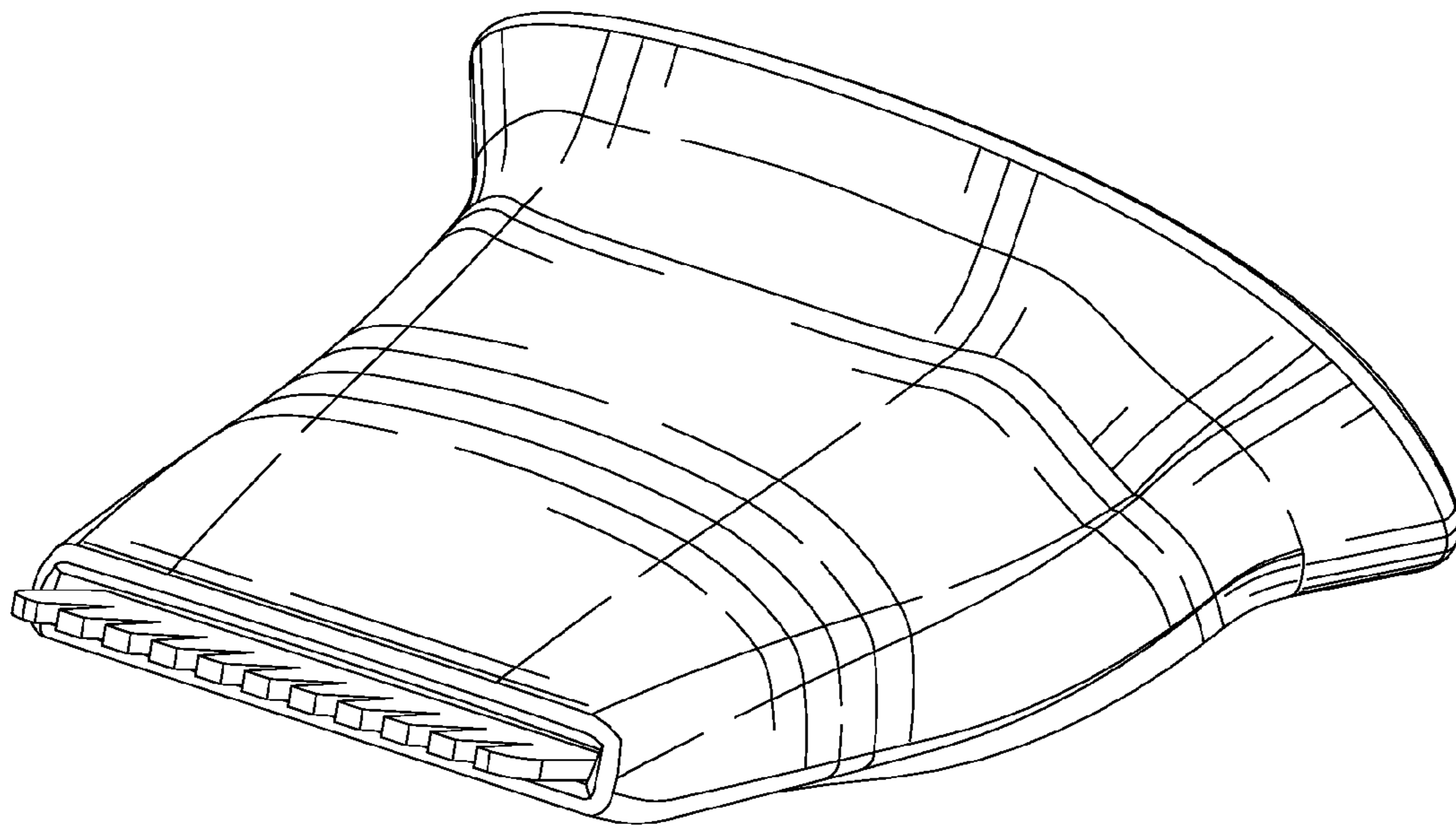


FIG. 15

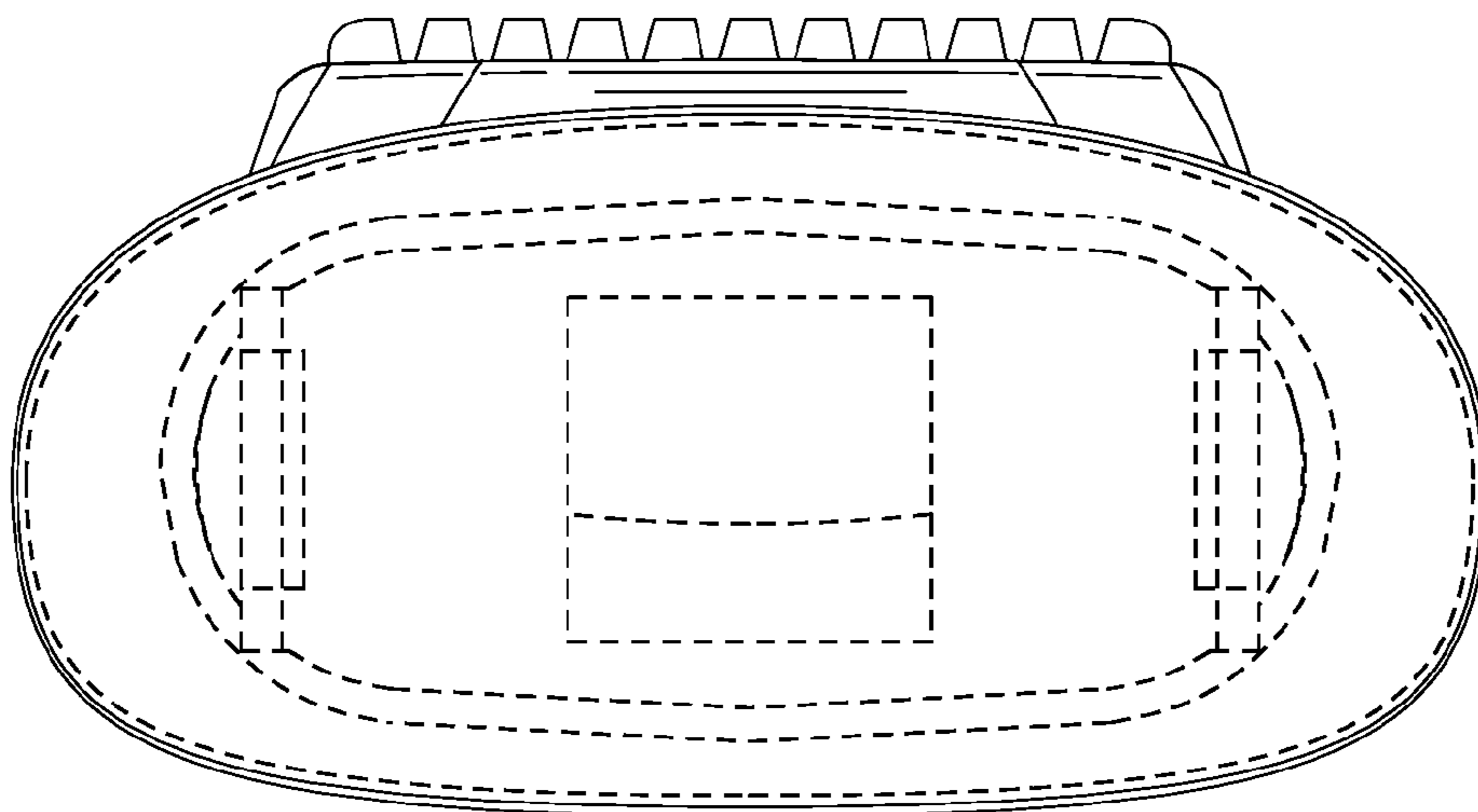


FIG. 16

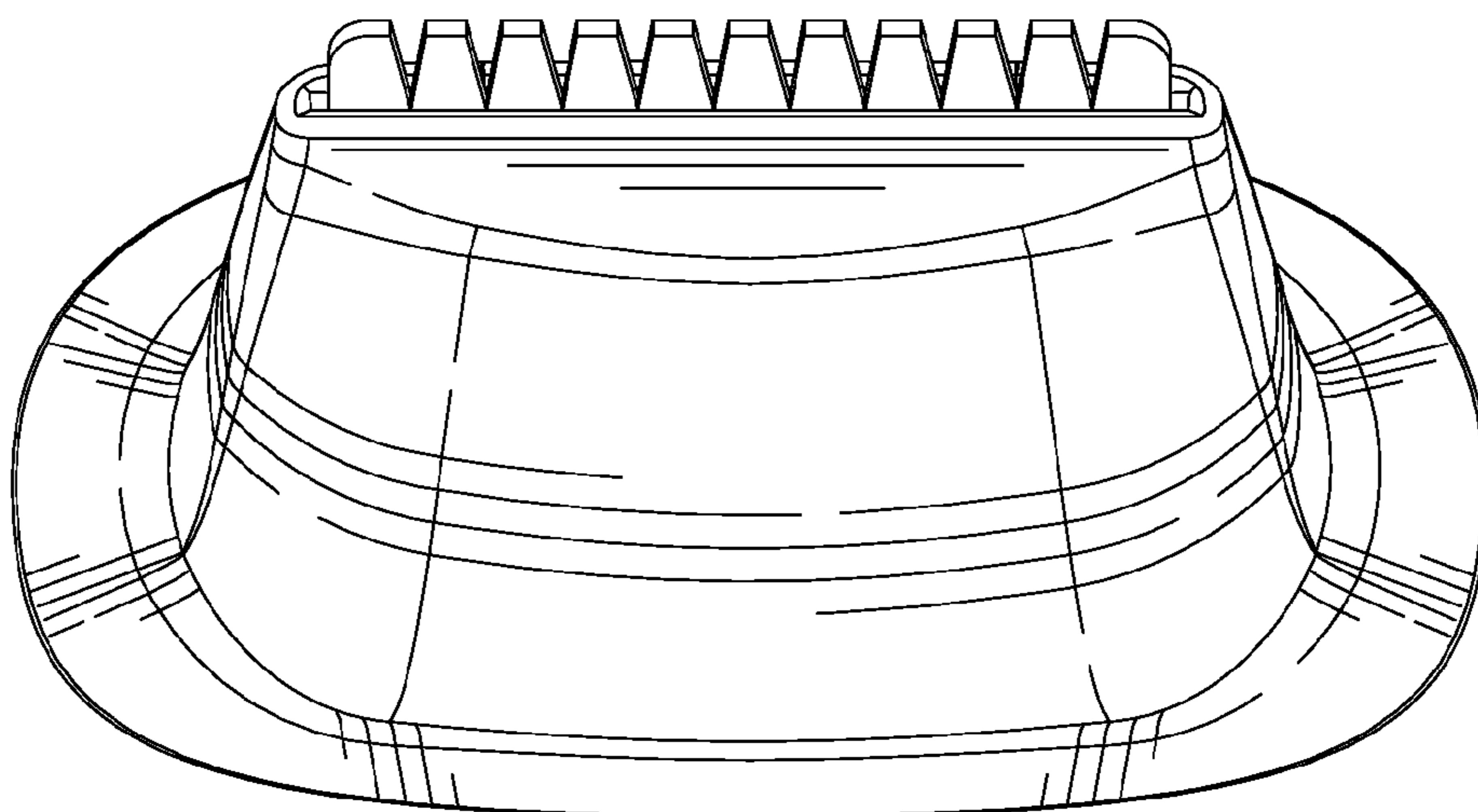


FIG. 17

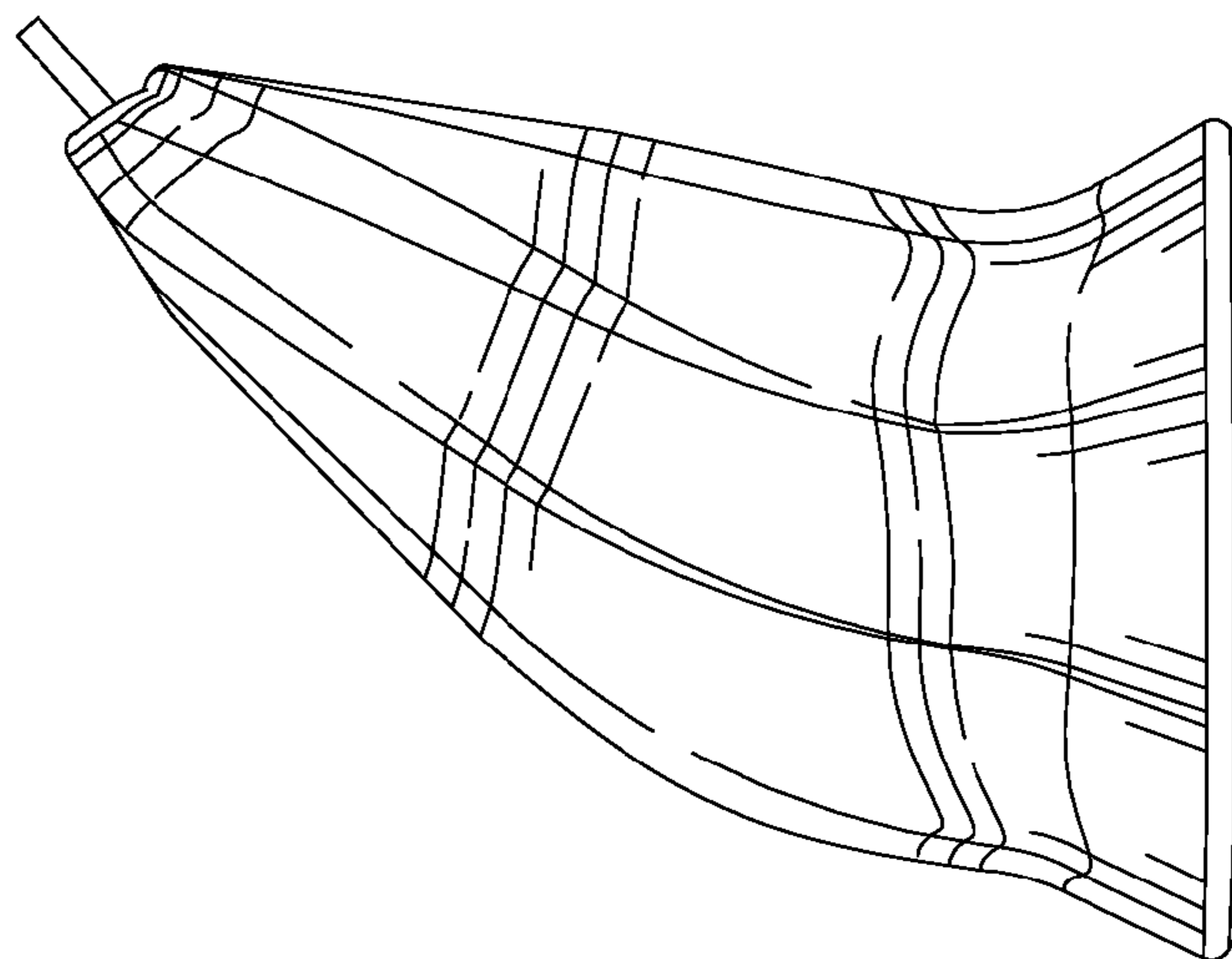


FIG. 18

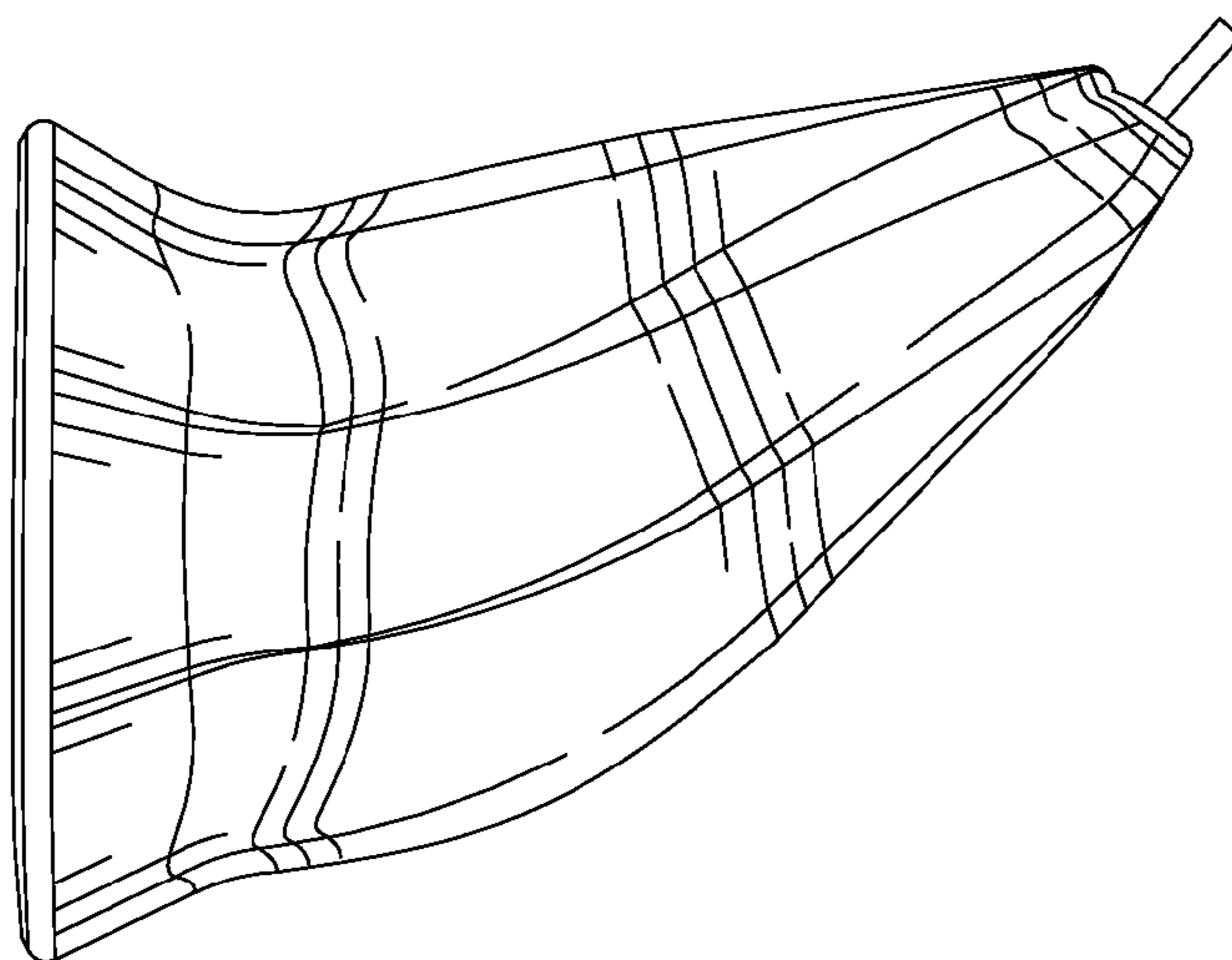


FIG. 19

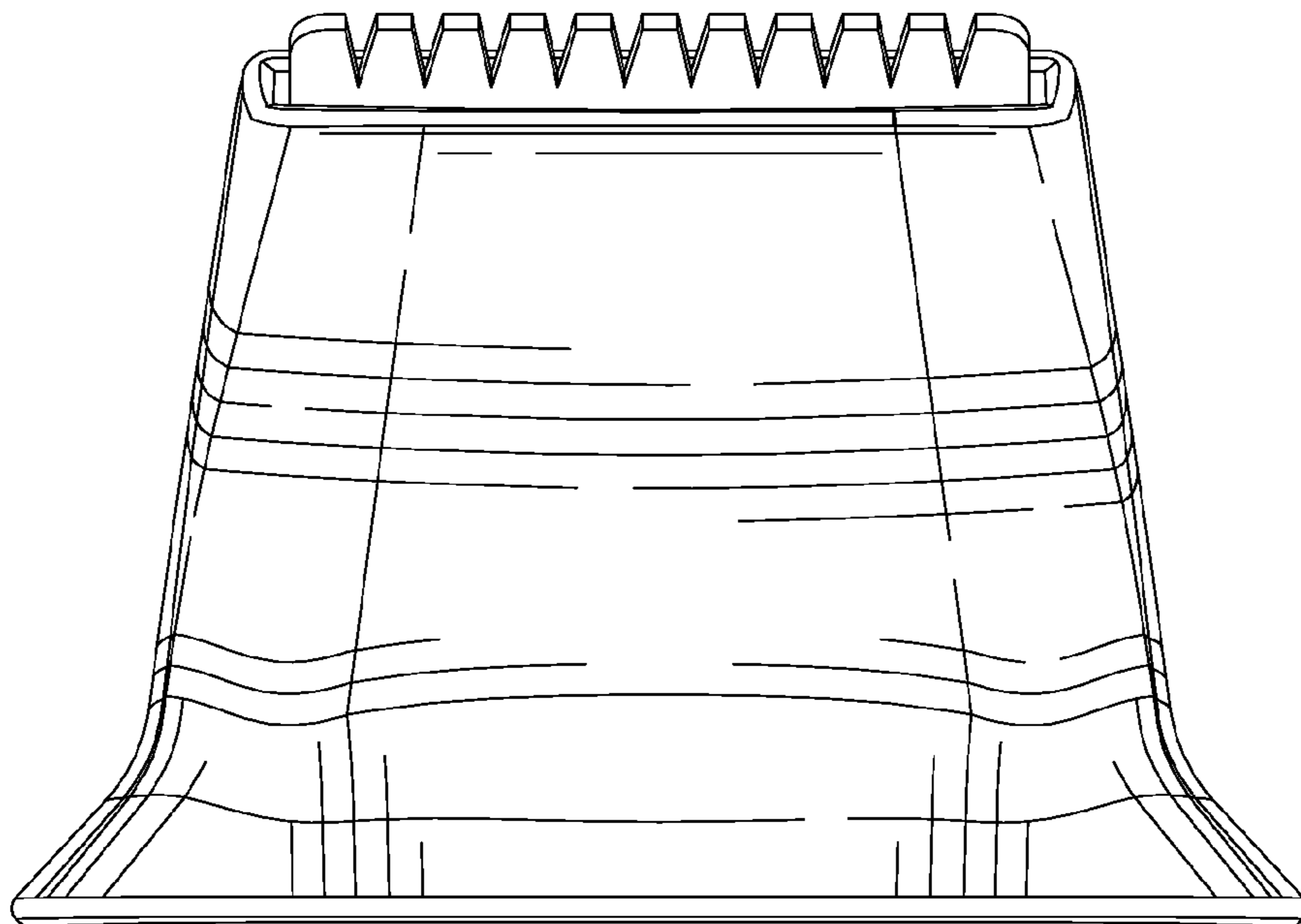


FIG. 20

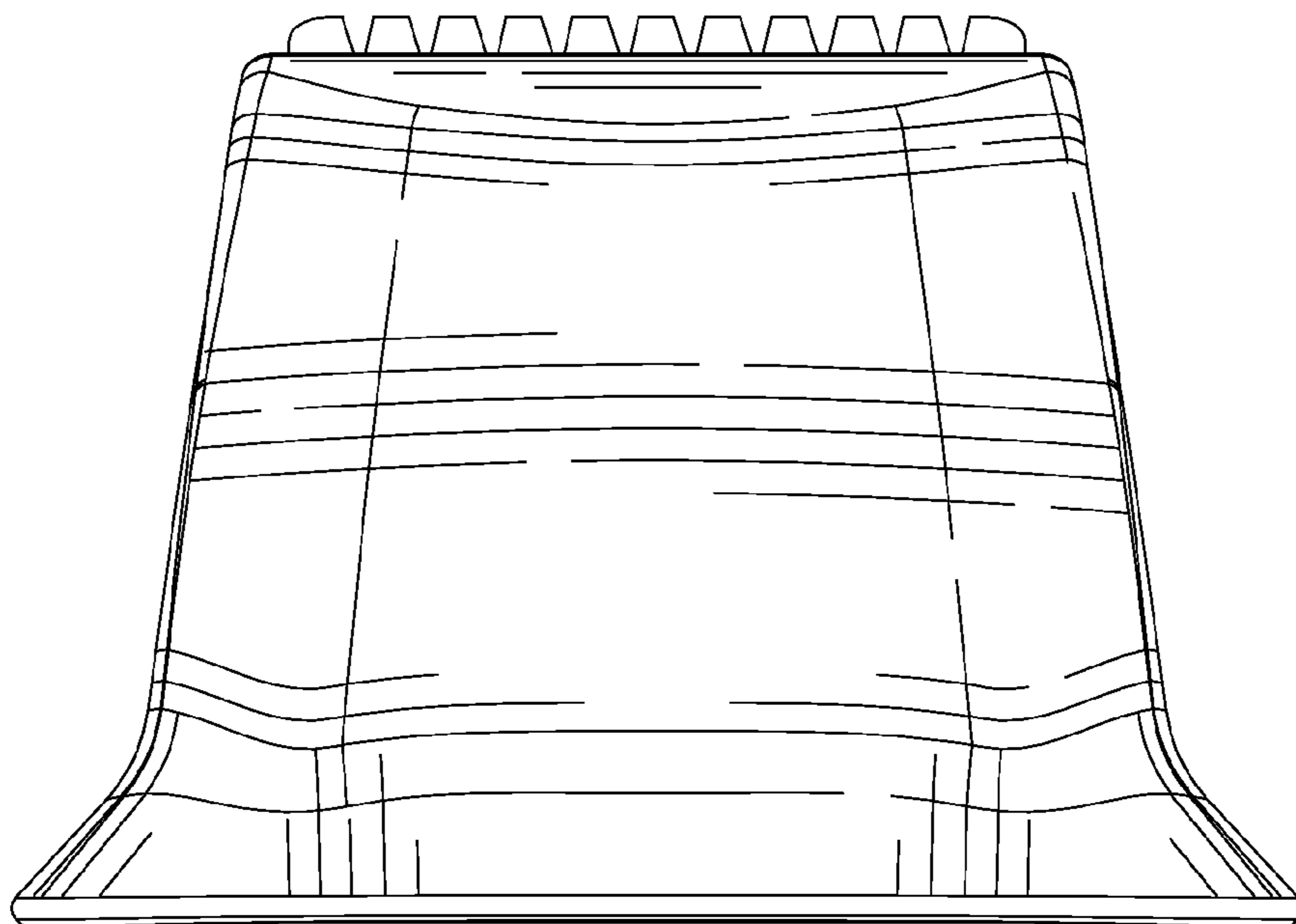


FIG. 21

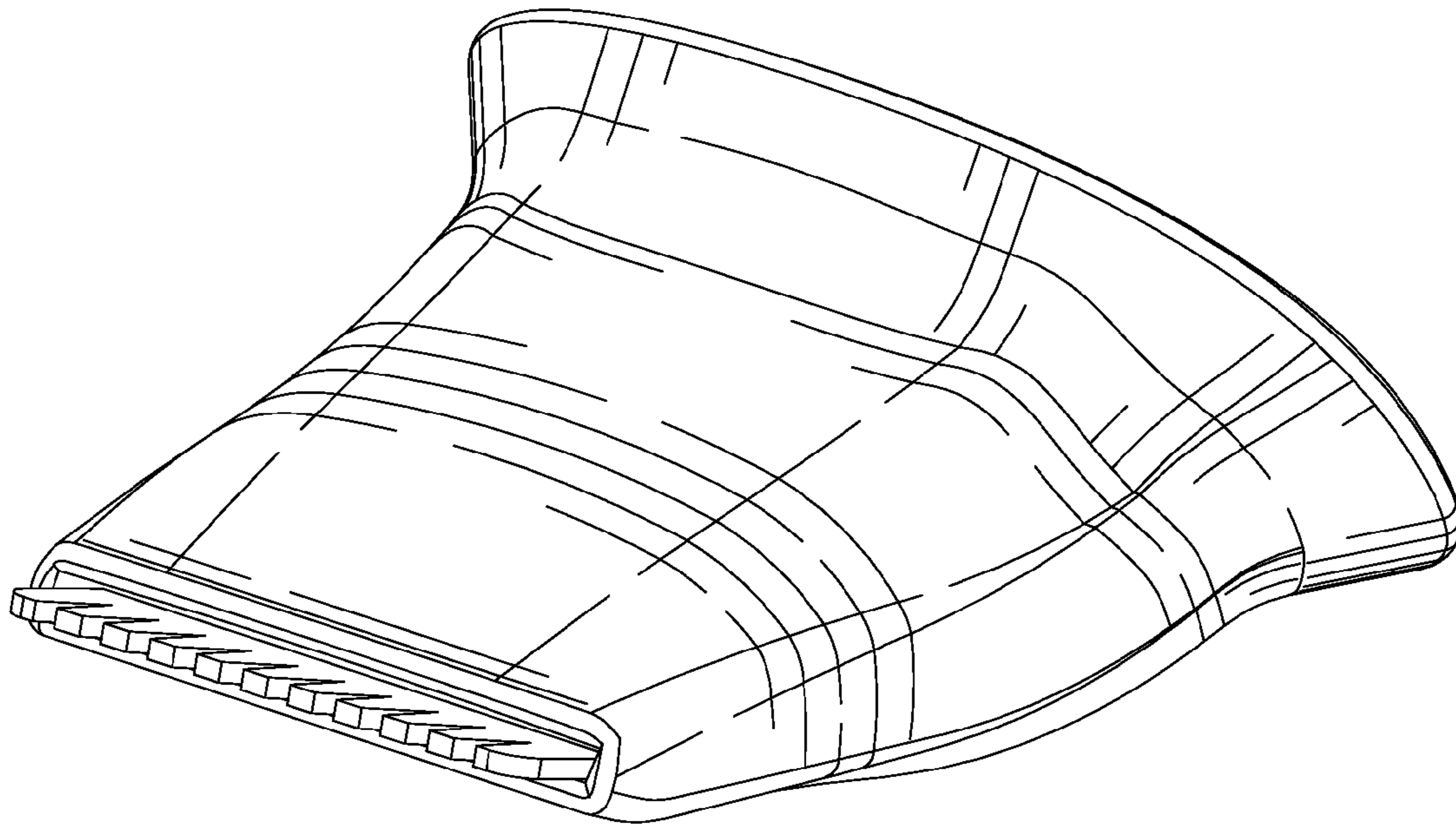


FIG. 22

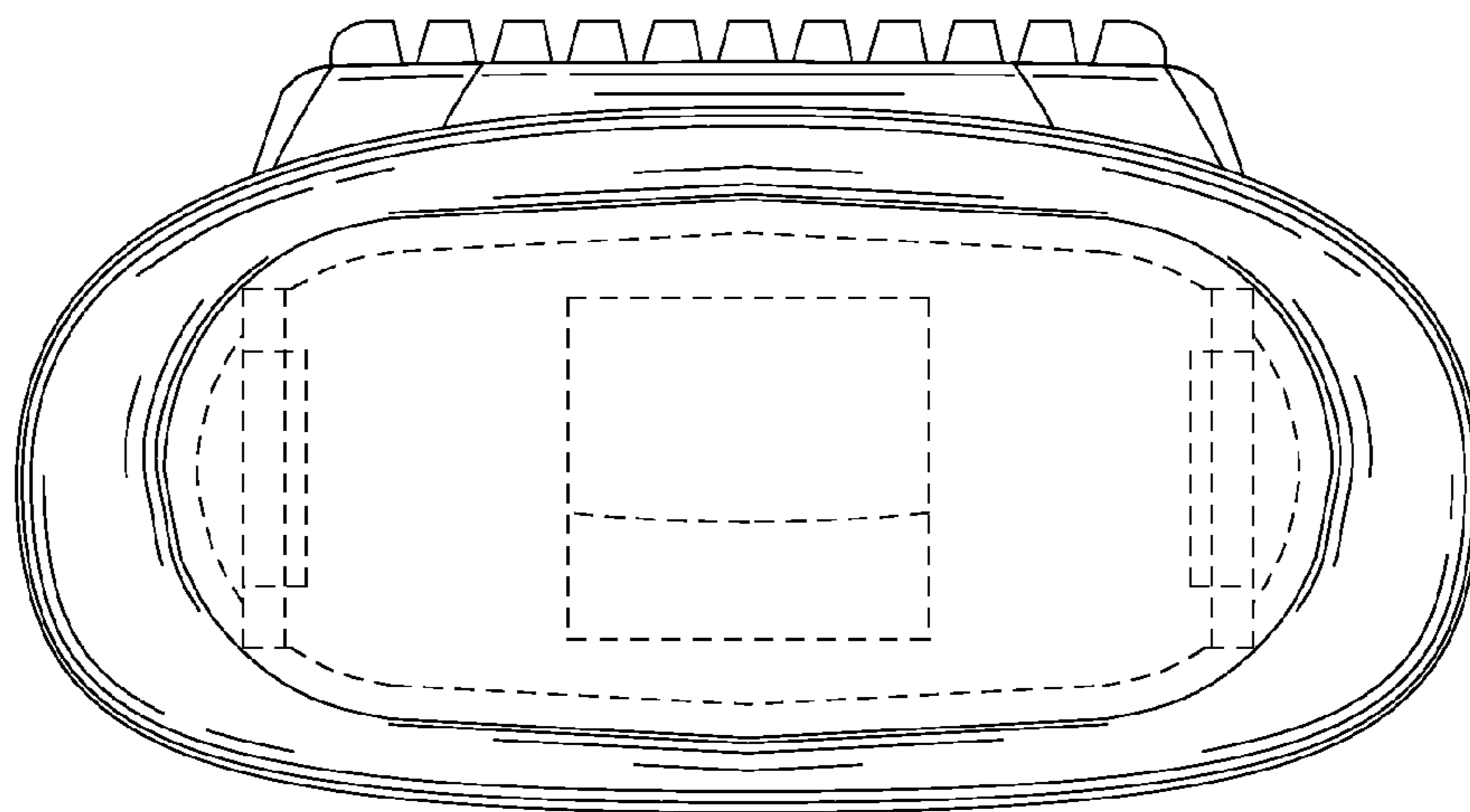


FIG. 23

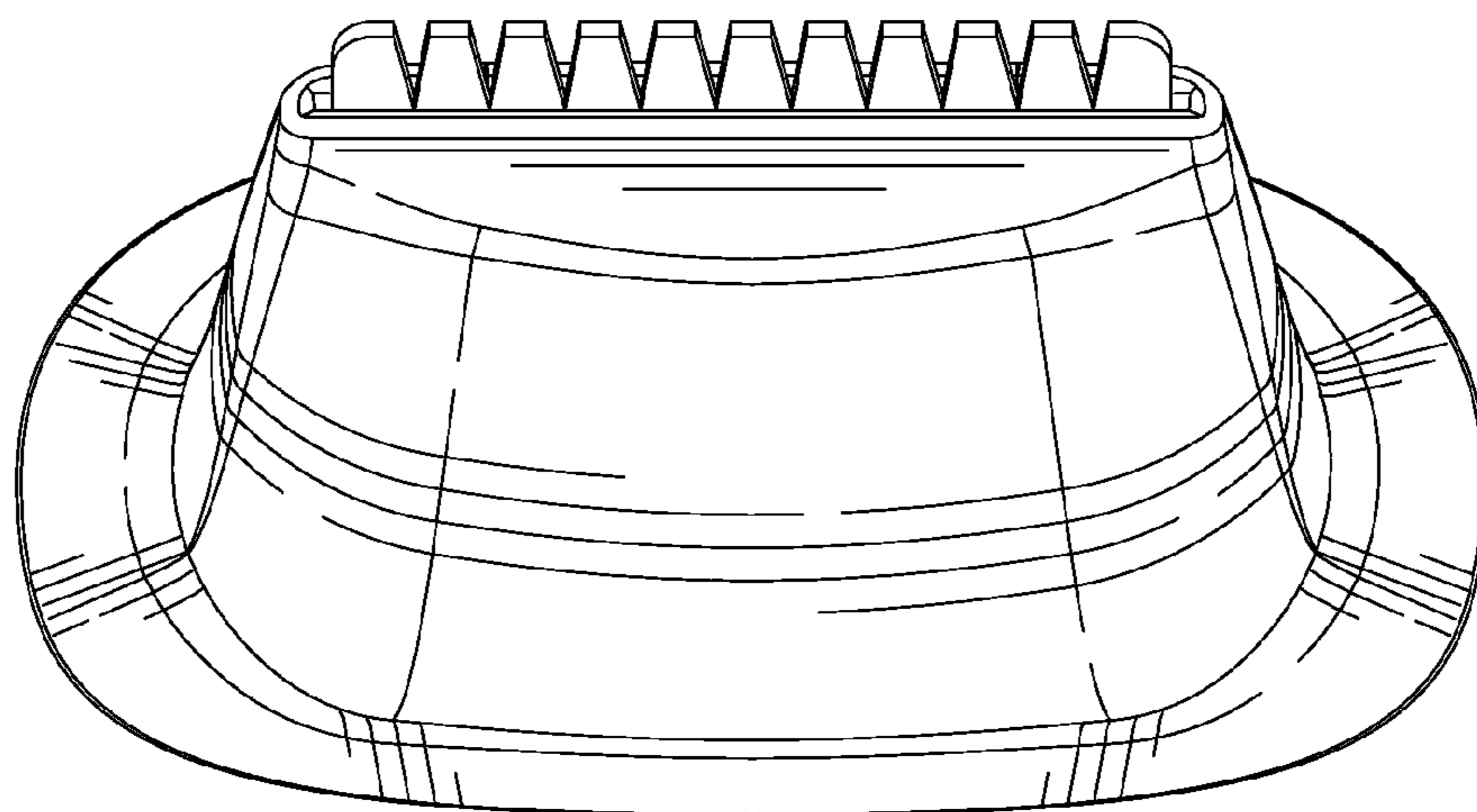


FIG. 24

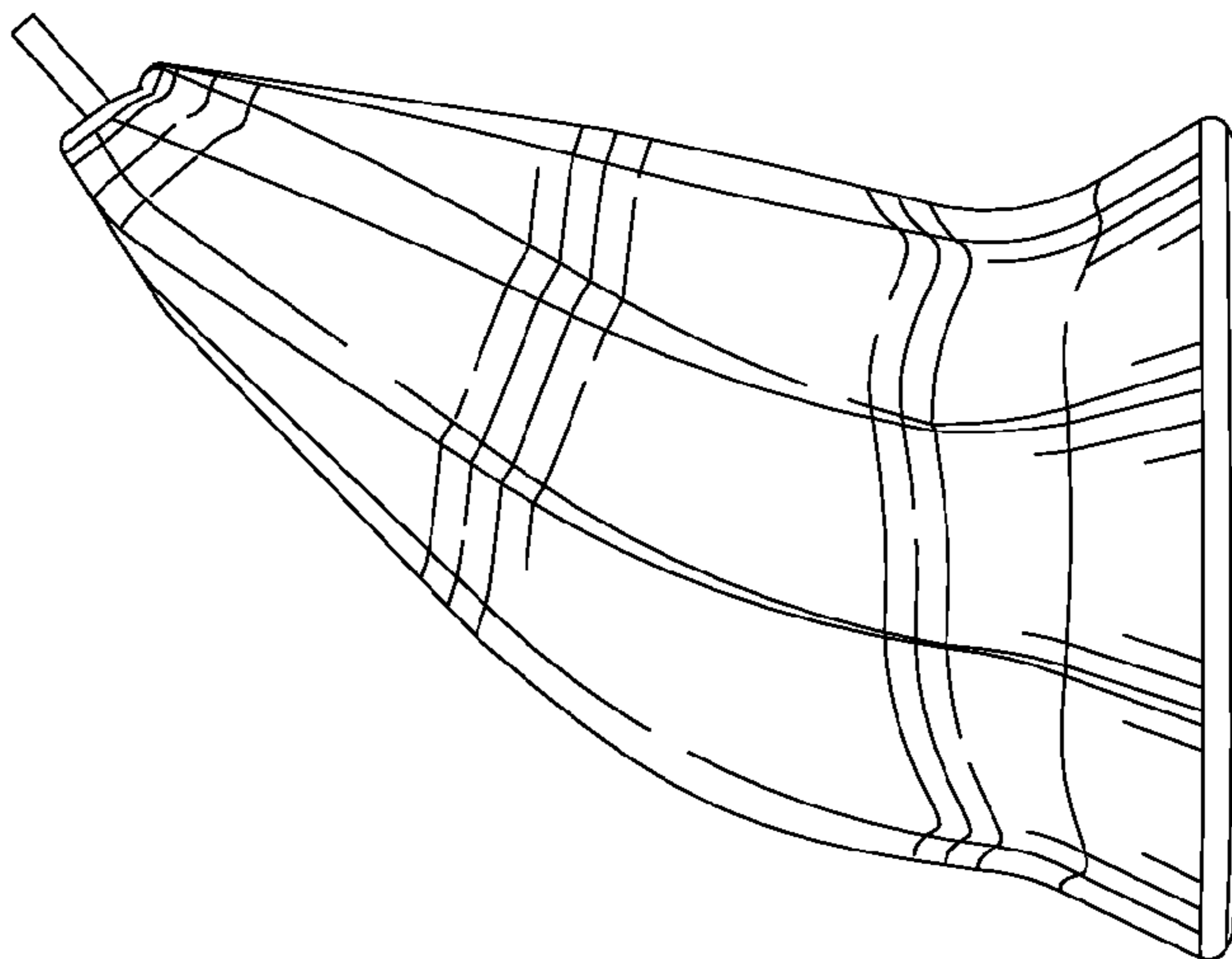


FIG. 25

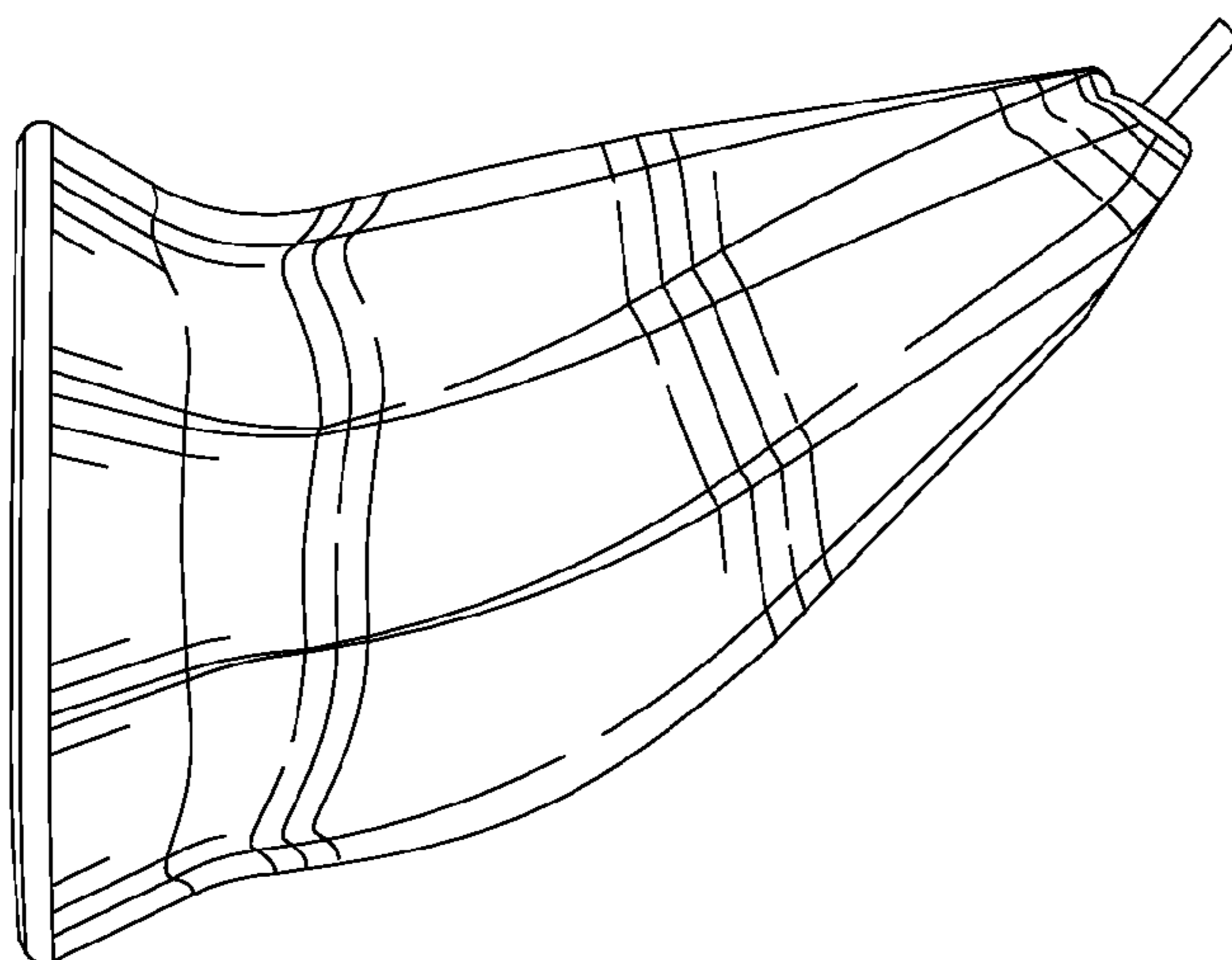


FIG. 26

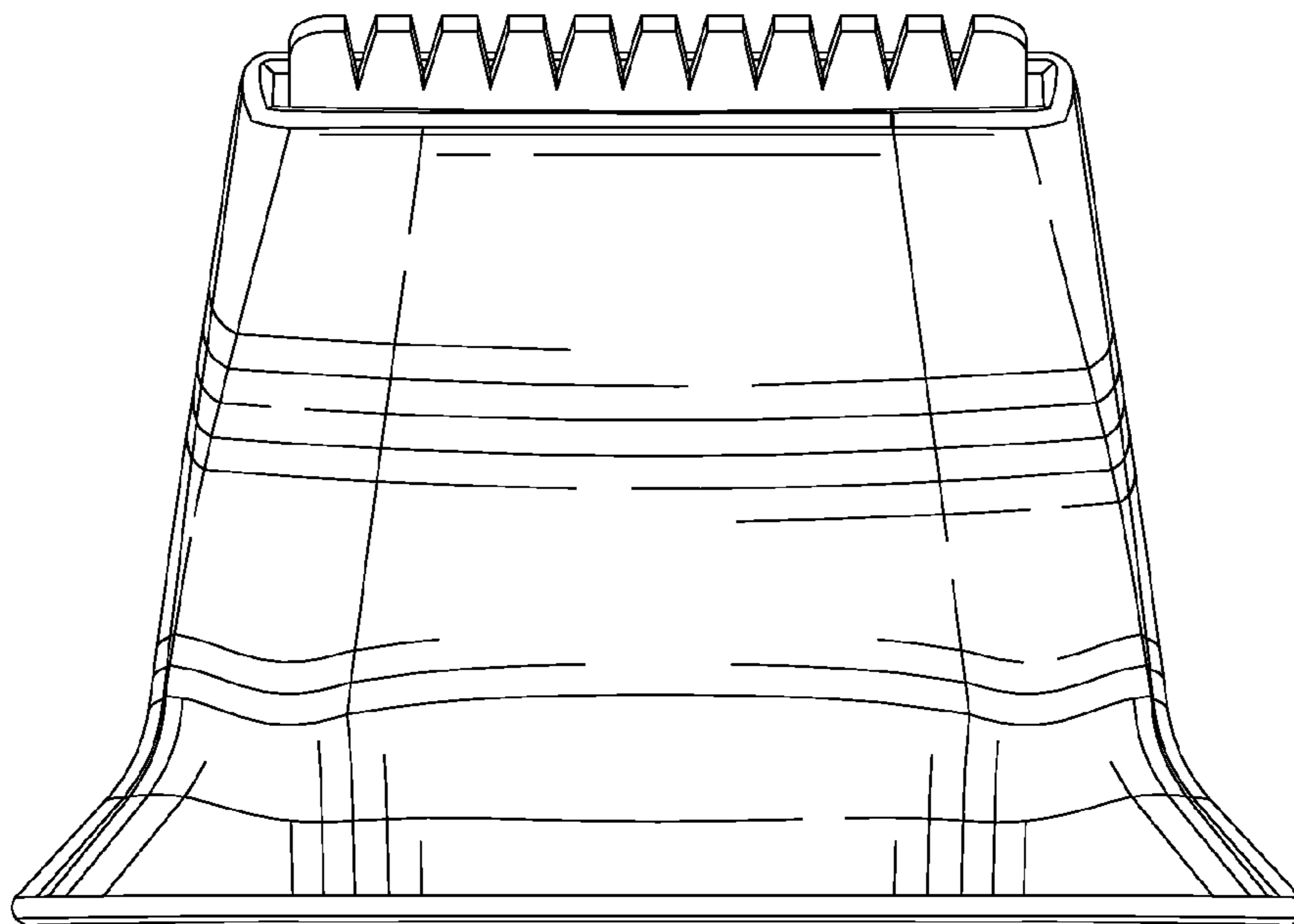


FIG. 27

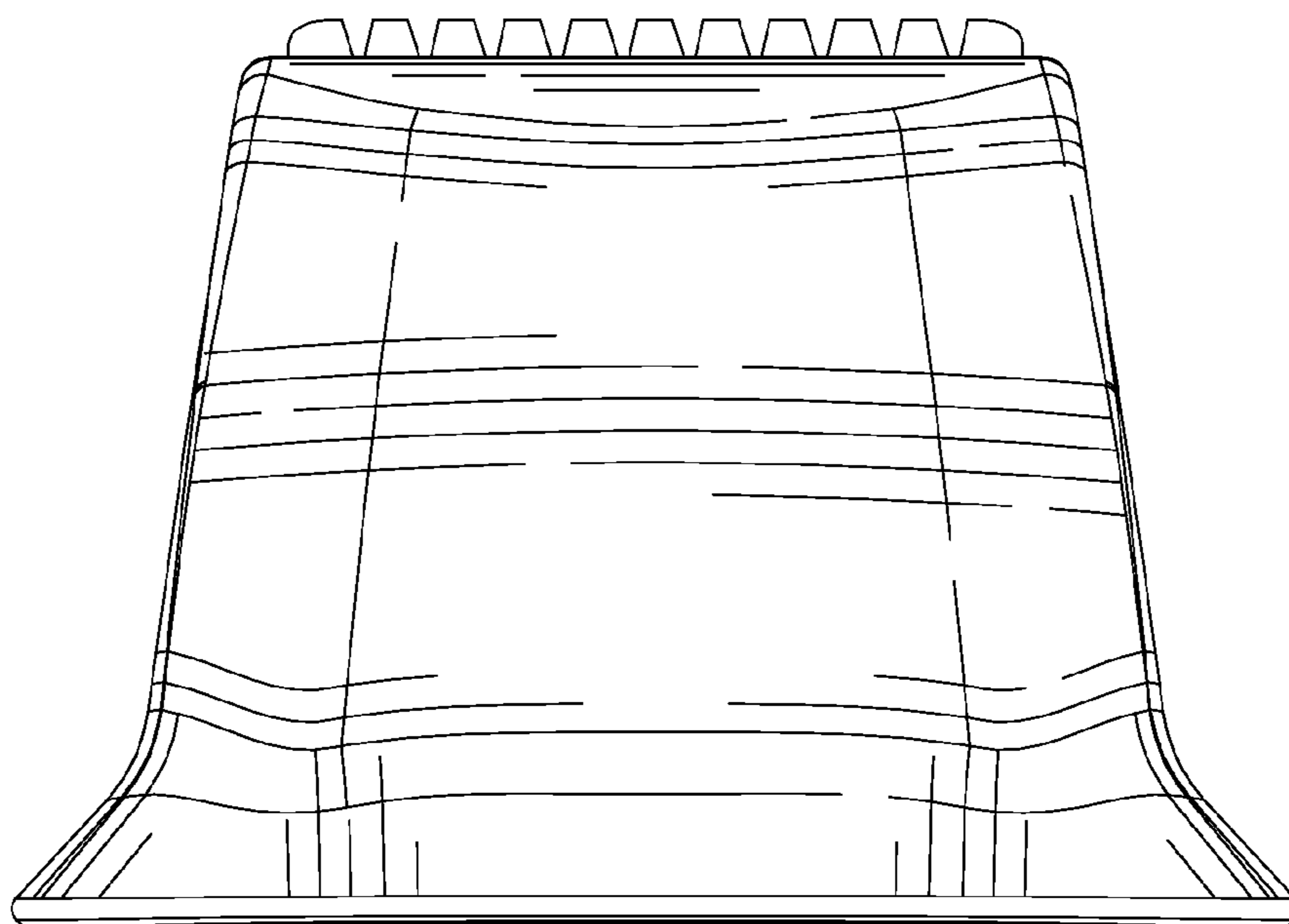


FIG. 28