



US00D602629S

(12) **United States Design Patent**
Yu

(10) **Patent No.:** **US D602,629 S**
(45) **Date of Patent:** **** Oct. 20, 2009**

(54) **DOUBLE HUB LIGHT FIXTURE**
(75) Inventor: **Scott S. Yu**, San Francisco, CA (US)

7,018,072 B2 * 3/2006 Mier-Langner et al. 362/285
7,063,451 B2 * 6/2006 Shen 362/648
7,270,443 B2 * 9/2007 Kurtz et al. 362/282

(73) Assignee: **Vode Lighting LLC**, Sonoma, CA (US)

OTHER PUBLICATIONS

(**) Term: **14 Years**

U.S. Appl. No. 11/890,064, Warton, et al.
U.S. Appl. No. 11/890,061, Warton et al.
U.S. Appl.No. 11/890,065, Warton et al.
U.S. Appl. No. 11/890,062, Warton et al.
U.S. Appl. No. 29/289,744, Yu, S.
U.S. Appl. No. 29/289,761, Yu, S.
U.S. Appl. No. 29/289,868, Yu, S.

(21) Appl. No.: **29/289,743**

(22) Filed: **Jul. 30, 2007**

(51) **LOC (9) Cl.** **26-99**
(52) **U.S. Cl.** **D26/140**
(58) **Field of Classification Search** D26/75,
D26/76, 77, 78, 85, 63, 24, 60, 61, 64, 66,
D26/72, 92, 113, 118, 120, 121, 122, 128,
D26/138, 140, 141, 142, 145, 152, 155; D12/223;
362/219, 217, 250, 418, 147, 220, 221, 222,
362/225, 455, 648, 232, 269, 270, 277, 432,
362/282, 285, 287, 319, 419, 430, 330, 346,
362/368, 370, 371

See application file for complete search history.

* cited by examiner

Primary Examiner—Cathron C Brooks
Assistant Examiner—Kevin K Rudzinski
(74) *Attorney, Agent, or Firm*—Peter J. Tormey

(56) **References Cited**

U.S. PATENT DOCUMENTS

4,143,413 A * 3/1979 Kelly 362/418
D258,009 S * 1/1981 Wotowiec et al. D26/75
4,276,579 A * 6/1981 Yako 362/5
4,682,273 A * 7/1987 Taniguchi et al. 362/18
4,800,470 A * 1/1989 Hartsaw 362/493
5,217,296 A * 6/1993 Tanner et al. 362/183
5,486,886 A * 1/1996 Vaynshteyn 396/175
5,713,662 A * 2/1998 Kira 362/427
5,727,869 A * 3/1998 Crosby et al. 362/217
5,887,969 A * 3/1999 Gordin 362/347
D468,473 S * 1/2003 Shemitz et al. D26/76
D476,441 S * 6/2003 Mier-Langner et al. D26/140

(57) **CLAIM**

The ornamental design for a double hub light fixture, as shown and described.

DESCRIPTION

FIG. 1 is a front perspective view.

FIG. 2 is a right side view.

FIG. 3 is a top view.

FIG. 4 is a front view.

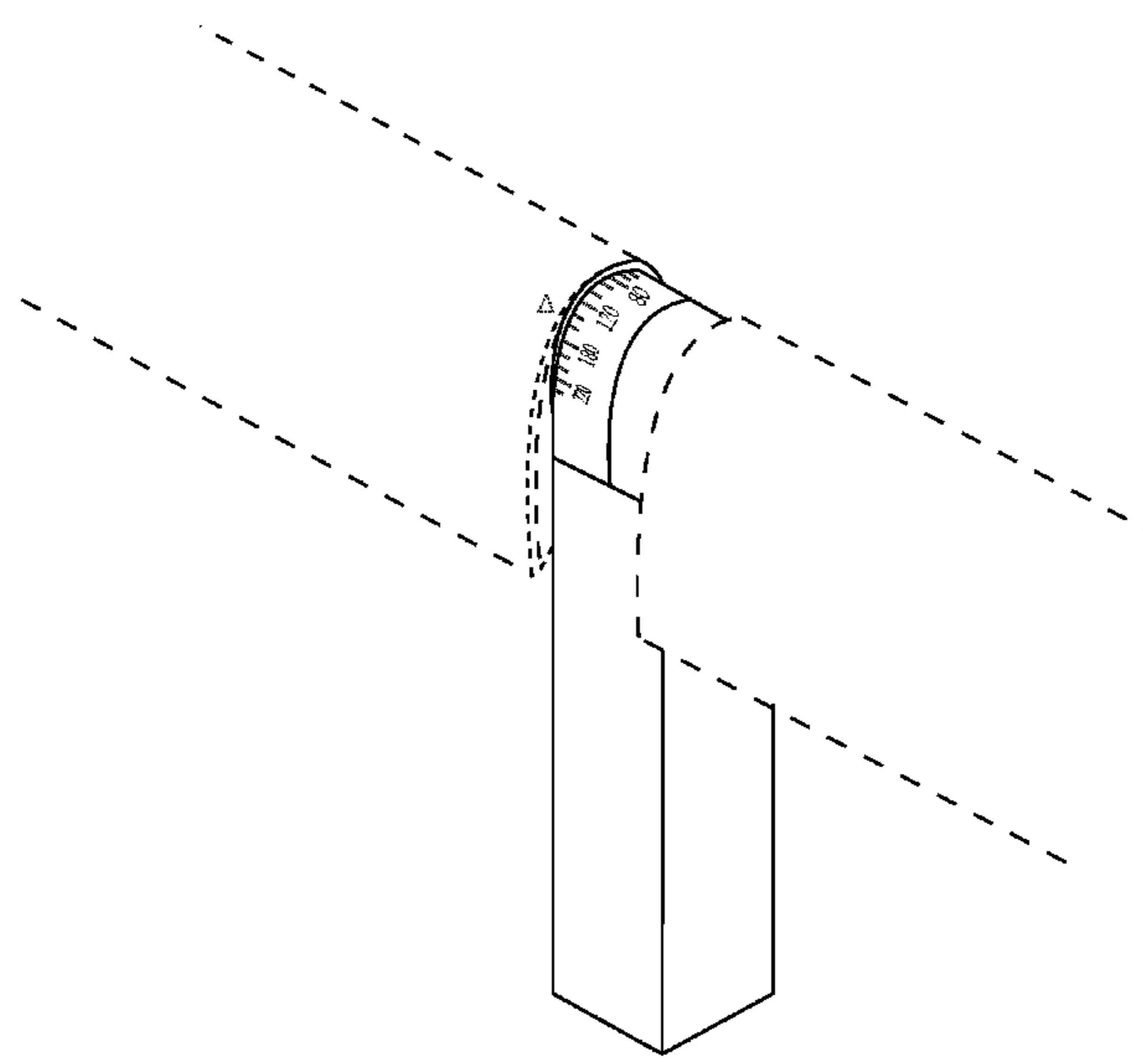
FIG. 5 is a bottom view.

FIG. 6 is a rear view; and,

FIG. 7 is a left side view.

The broken lines shown are included for the purpose of illustrating environmental structure and form no part of the claimed design.

1 Claim, 7 Drawing Sheets



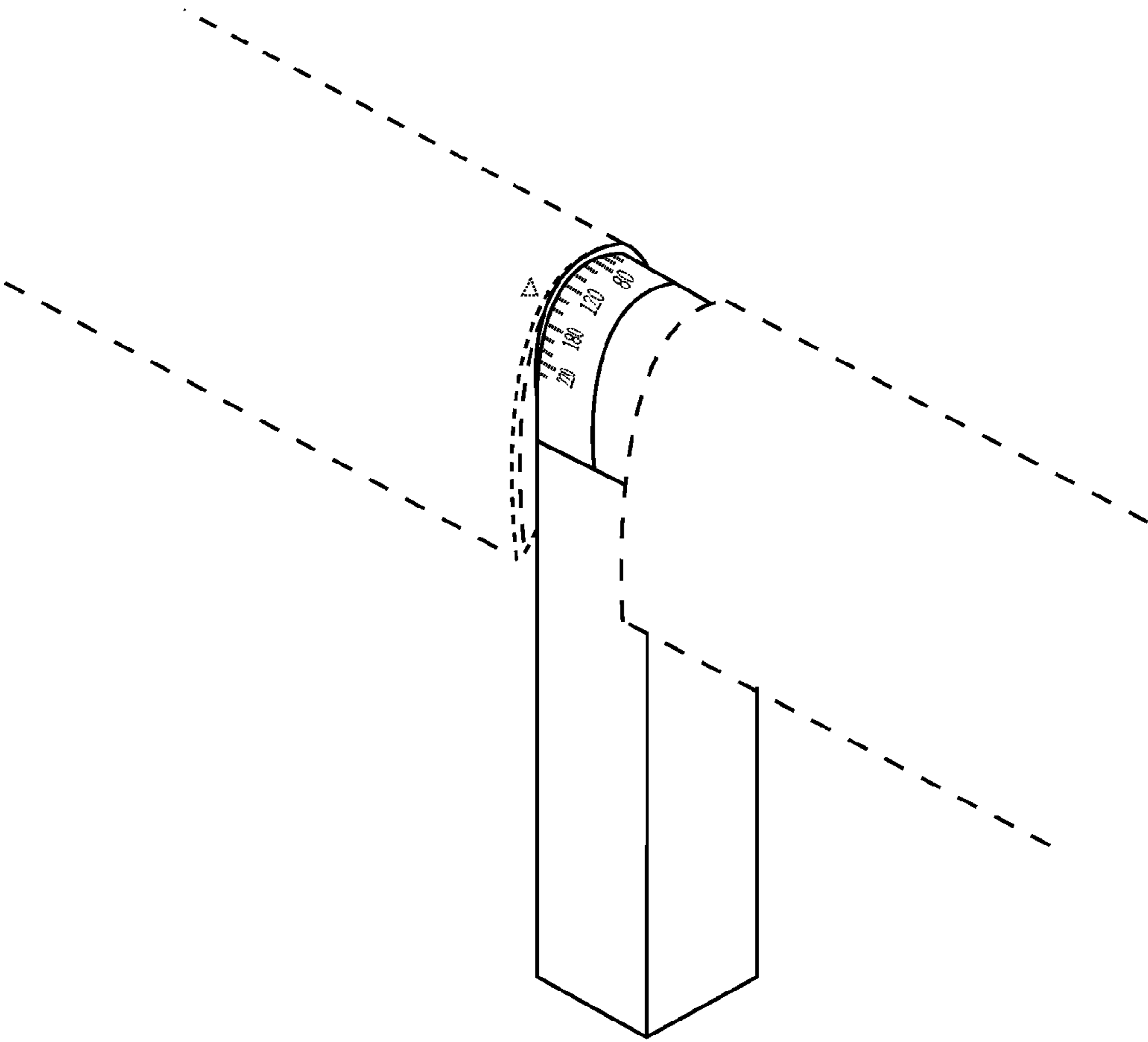


Figure 1

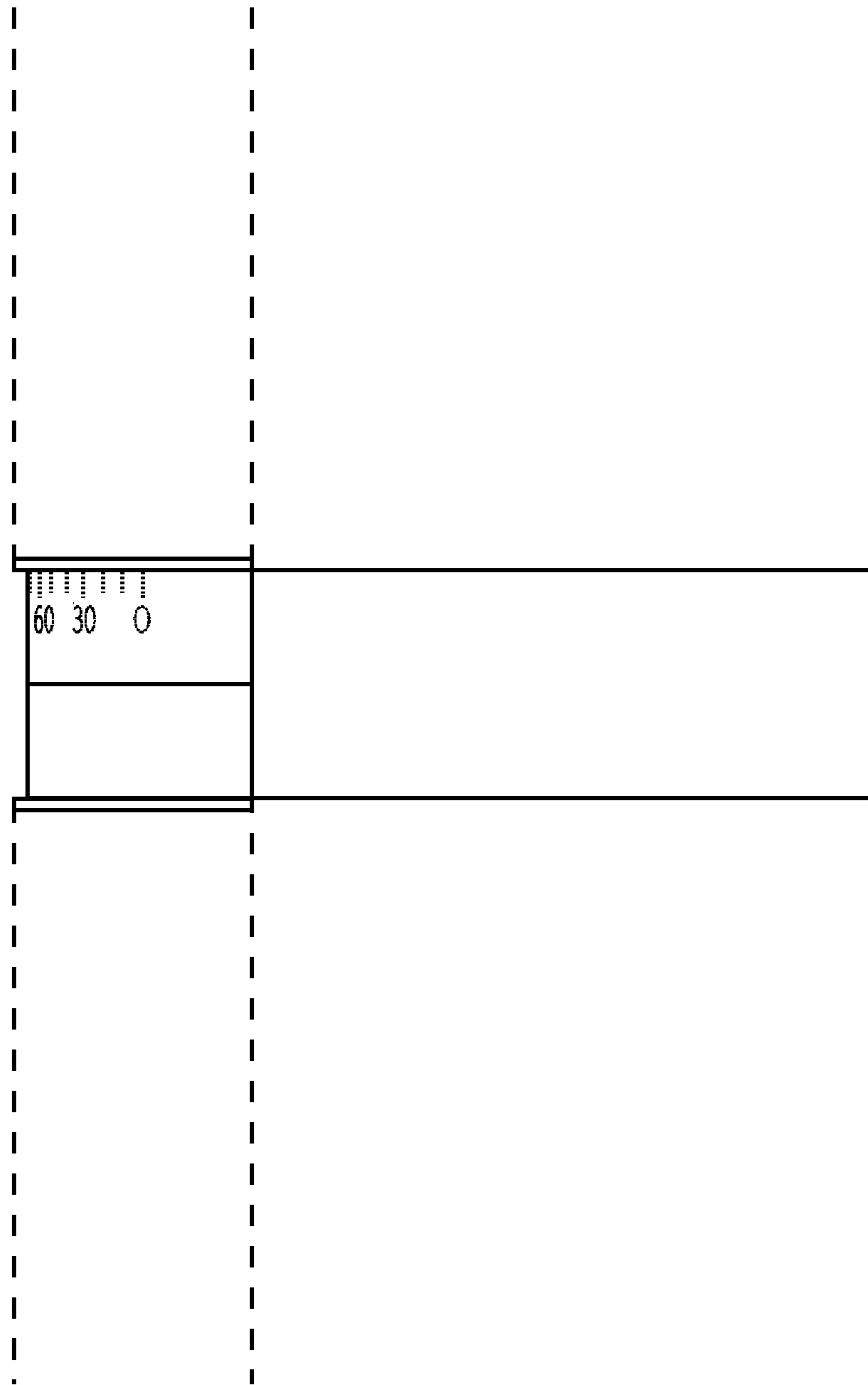


Figure 2

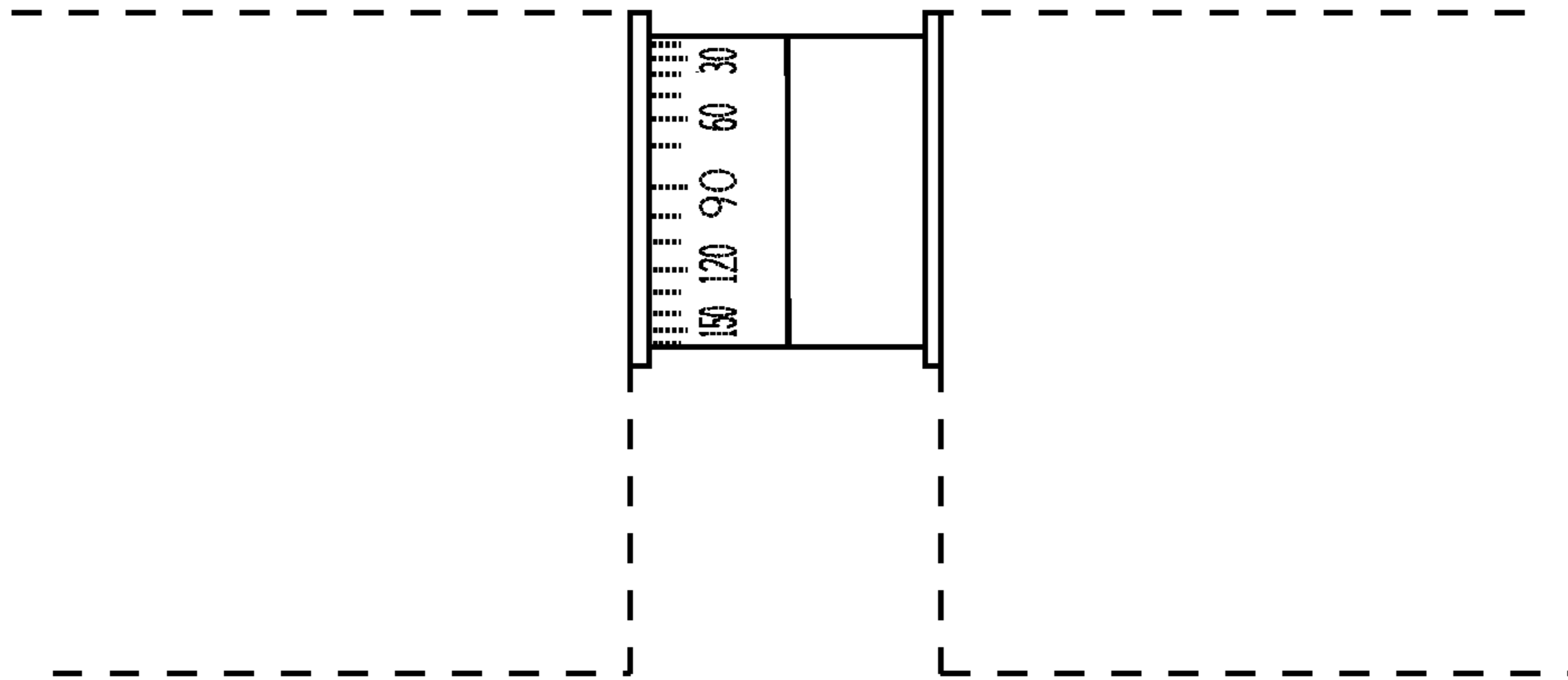


Figure 3

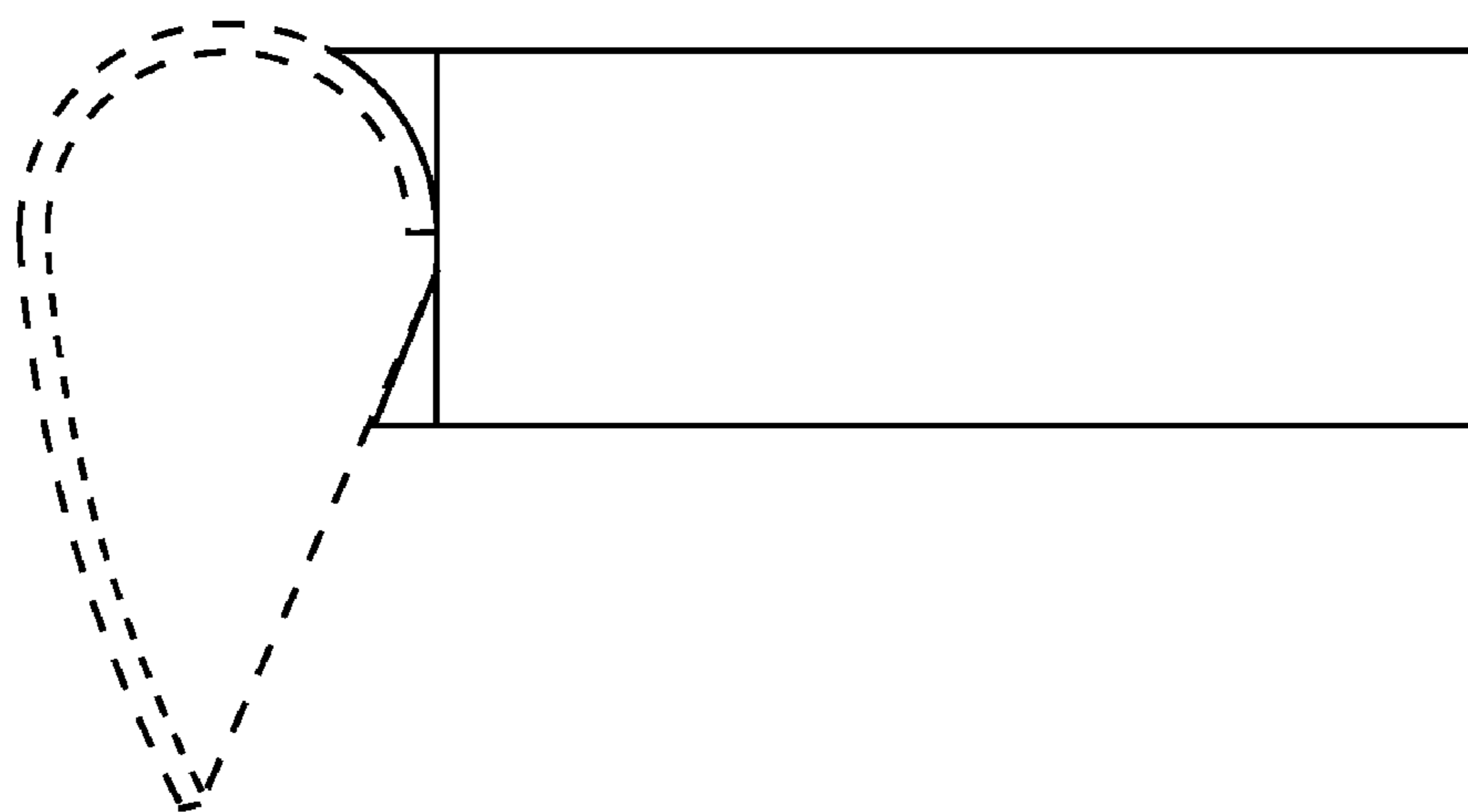


Figure 4

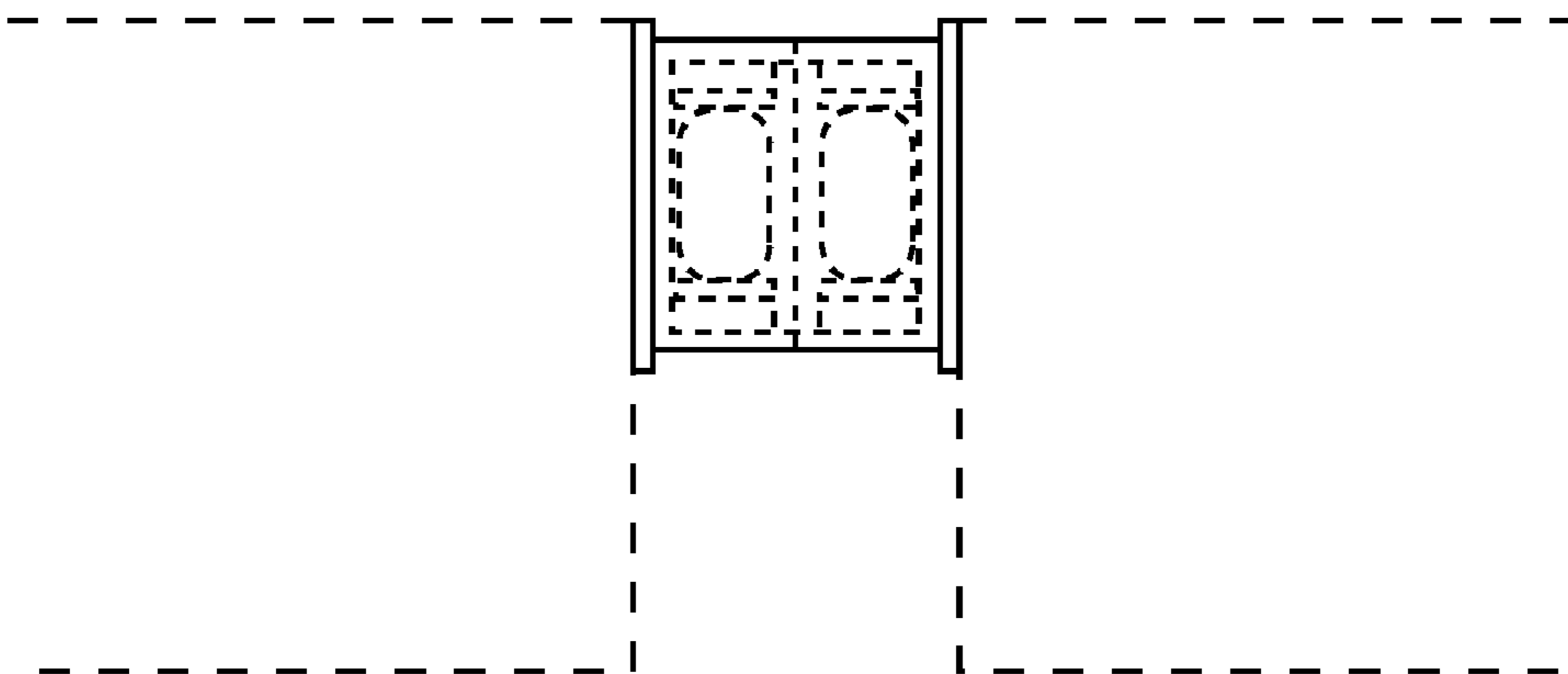


Figure 5

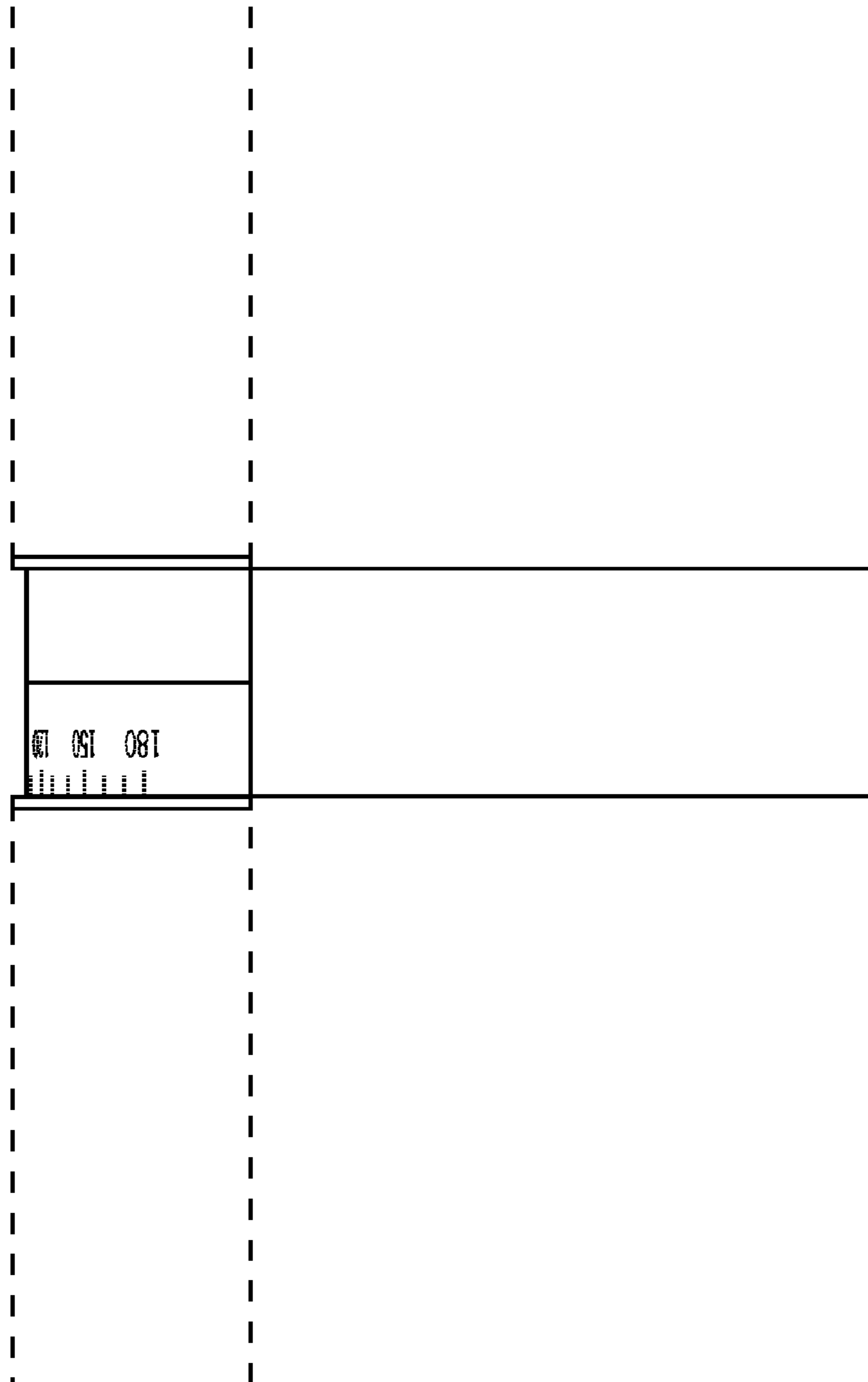


Figure 6

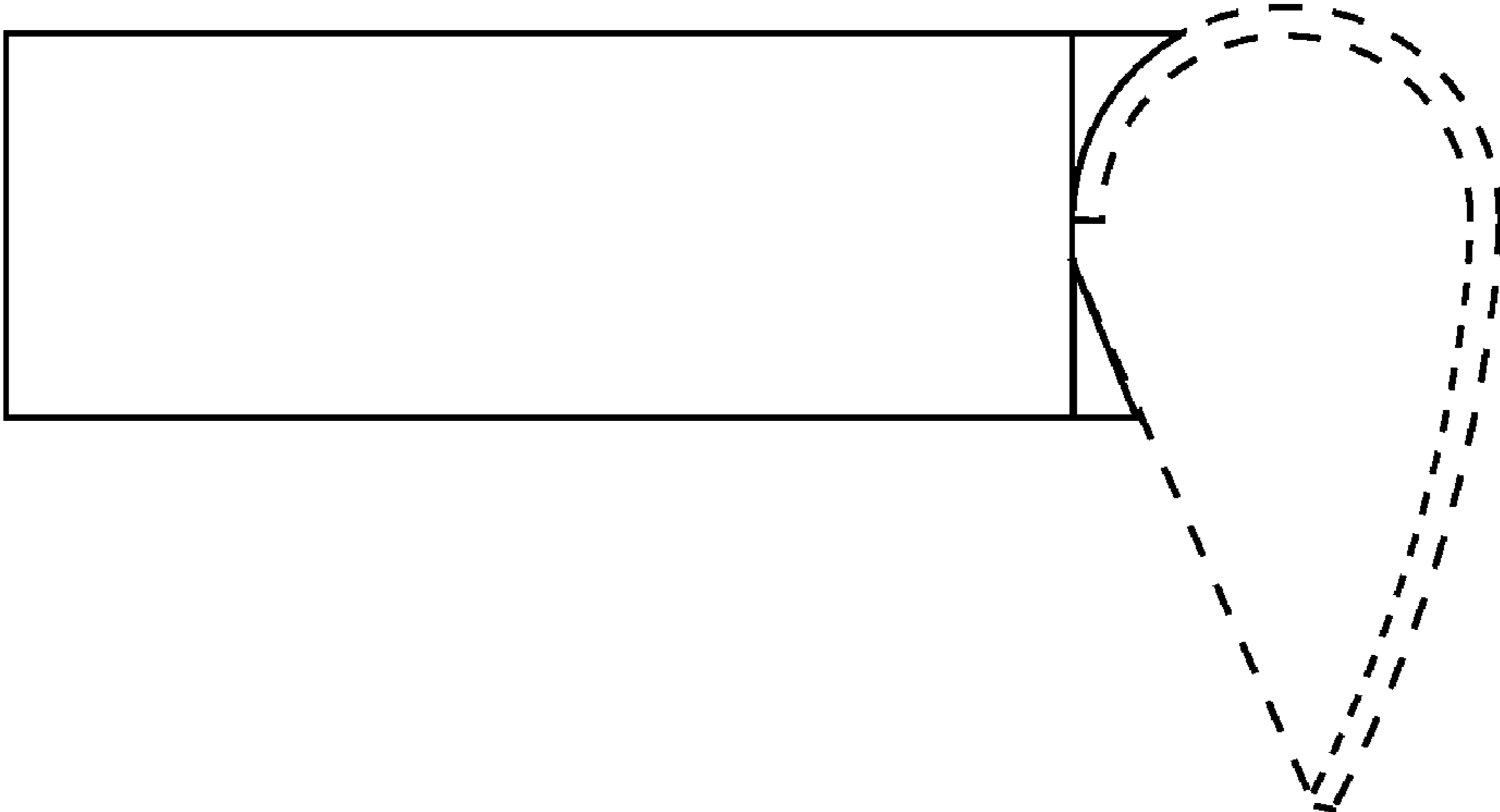


Figure 7