



US00D602628S

(12) **United States Design Patent**  
**Benensohn**

(10) **Patent No.:** **US D602,628 S**  
(45) **Date of Patent:** **\*\* Oct. 20, 2009**

(54) **UNDERCABINET LIGHTING FIXTURE  
INCORPORATING POSITIONABLE  
MOUNTING**

(76) Inventor: **Sanford H. Benensohn**, 28310 Avenue  
Crocker, Suite B, Valencia, CA (US)  
91355

(\*\*) Term: **14 Years**

(21) Appl. No.: **29/314,484**

(22) Filed: **Apr. 6, 2009**

(51) **LOC (9) Cl.** ..... **26-03**

(52) **U.S. Cl.** ..... **D26/80; D26/61**

(58) **Field of Classification Search** ..... D26/24,  
D26/36, 37, 44, 60, 61, 63, 72, 80, 138; 362/98,  
362/99, 101, 182, 202, 267, 473, 477, 515  
See application file for complete search history.

(56) **References Cited**

**U.S. PATENT DOCUMENTS**

D89,969 S *	5/1933	Mitchell	.....	D26/44
D140,107 S *	1/1945	Lippincott	.....	D26/76
D209,536 S *	12/1967	McCain	.....	D26/74
D221,351 S *	8/1971	Rmington	.....	D26/86
D313,863 S *	1/1991	Macaluso	.....	D26/29
D361,633 S *	8/1995	Chabria	.....	D26/37

D384,762 S *	10/1997	Roorda	.....	D26/85
D411,325 S *	6/1999	Roorda	.....	D26/87
6,089,884 A *	7/2000	Klaus	.....	362/648
6,508,566 B1 *	1/2003	Roorda	.....	362/133
2009/0098764 A1 *	4/2009	Janos et al.	.....	362/253

\* cited by examiner

*Primary Examiner*—Clare E Heflin

(74) *Attorney, Agent, or Firm*—Michael A. Painter

(57) **CLAIM**

The ornamental design for an undercabinet lighting fixture incorporating positionable mounting, as shown and described.

**DESCRIPTION**

FIG. 1 is a bottom perspective view of an undercabinet lighting fixture incorporating positionable mounting illustrating my new design;

FIG. 2 is a left side elevation view thereof, the right side elevation view being identical;

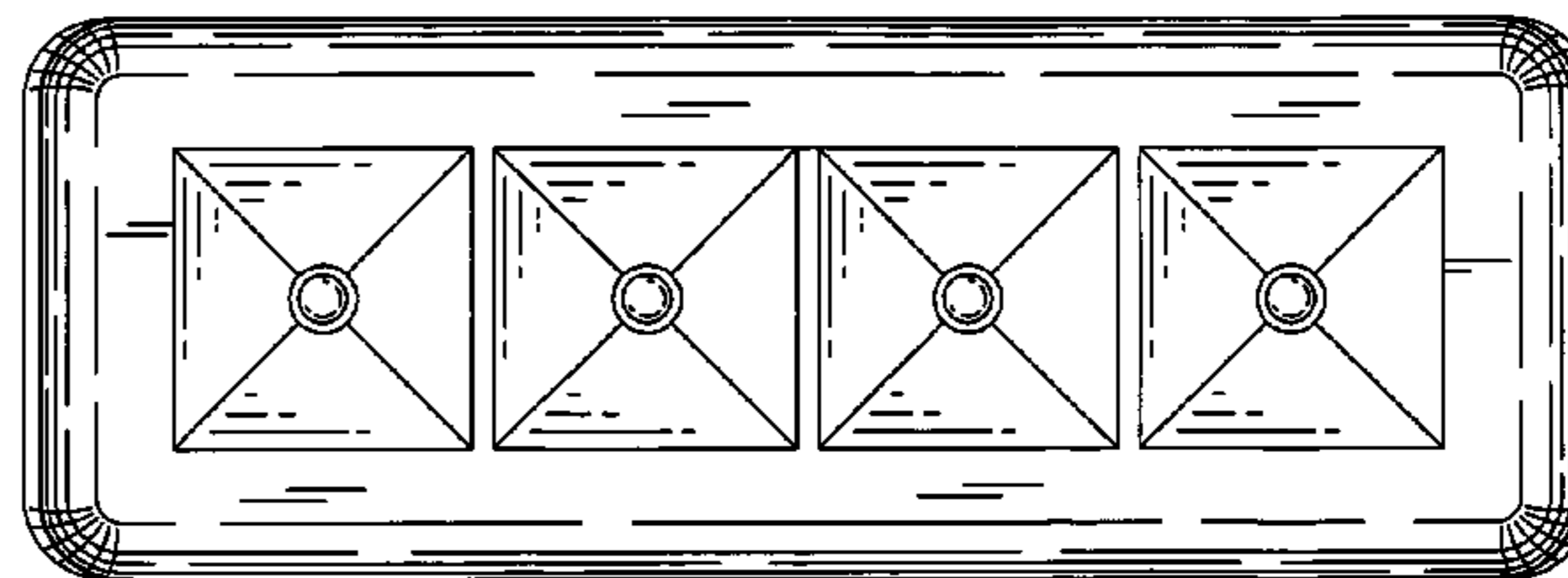
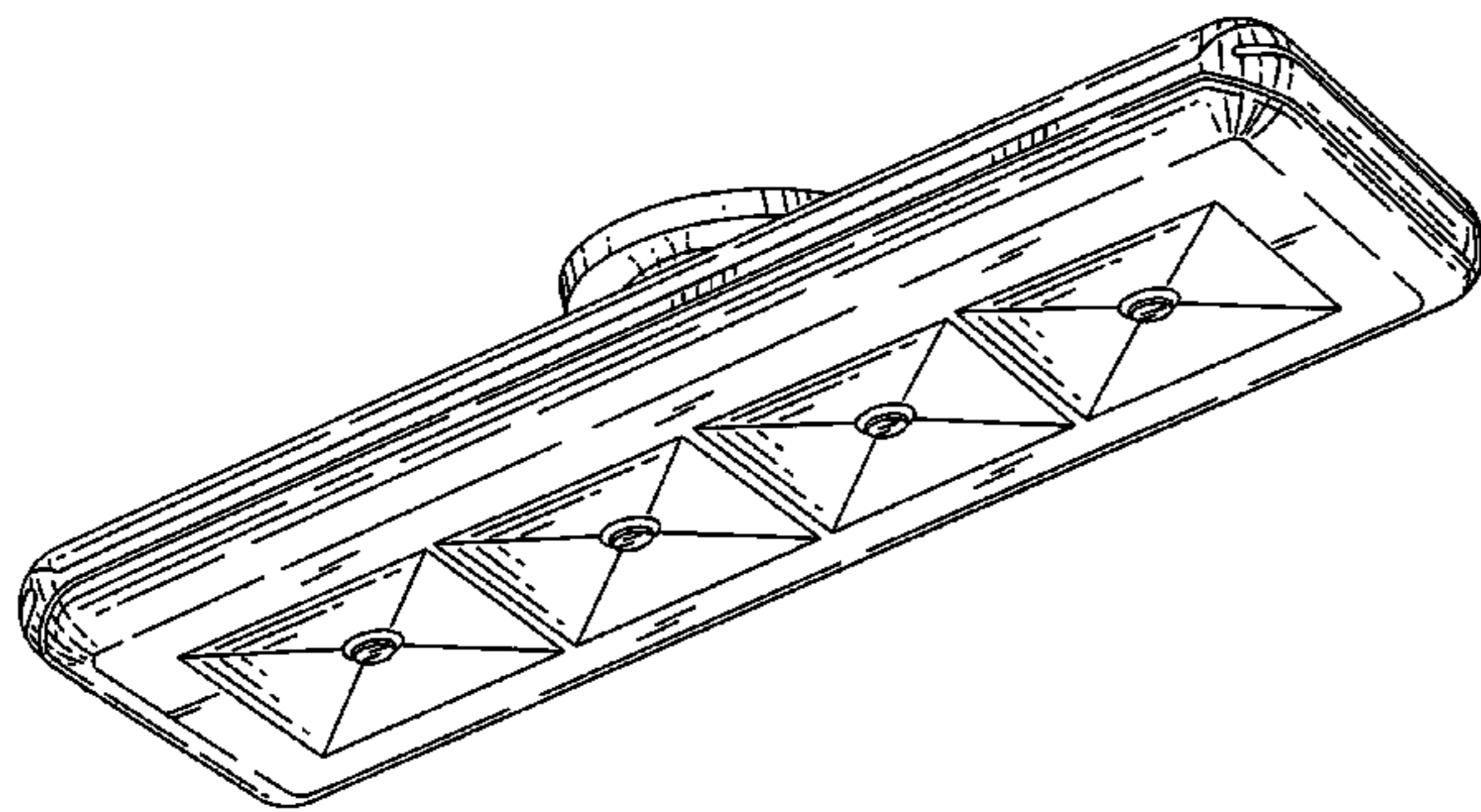
FIG. 3 is a front elevation view thereof;

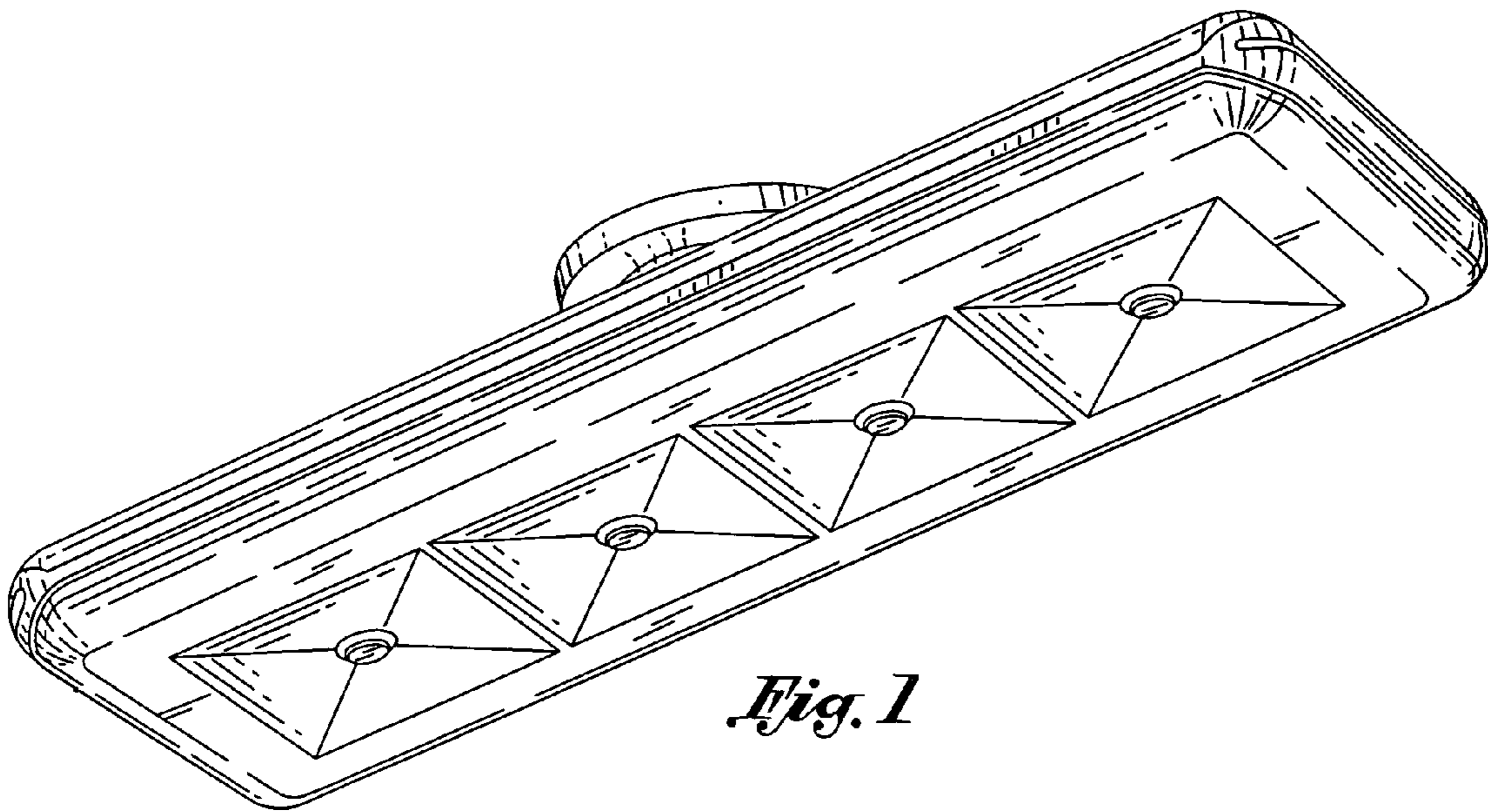
FIG. 4 is a rear elevation view thereof;

FIG. 5 is a top plan view thereof; and,

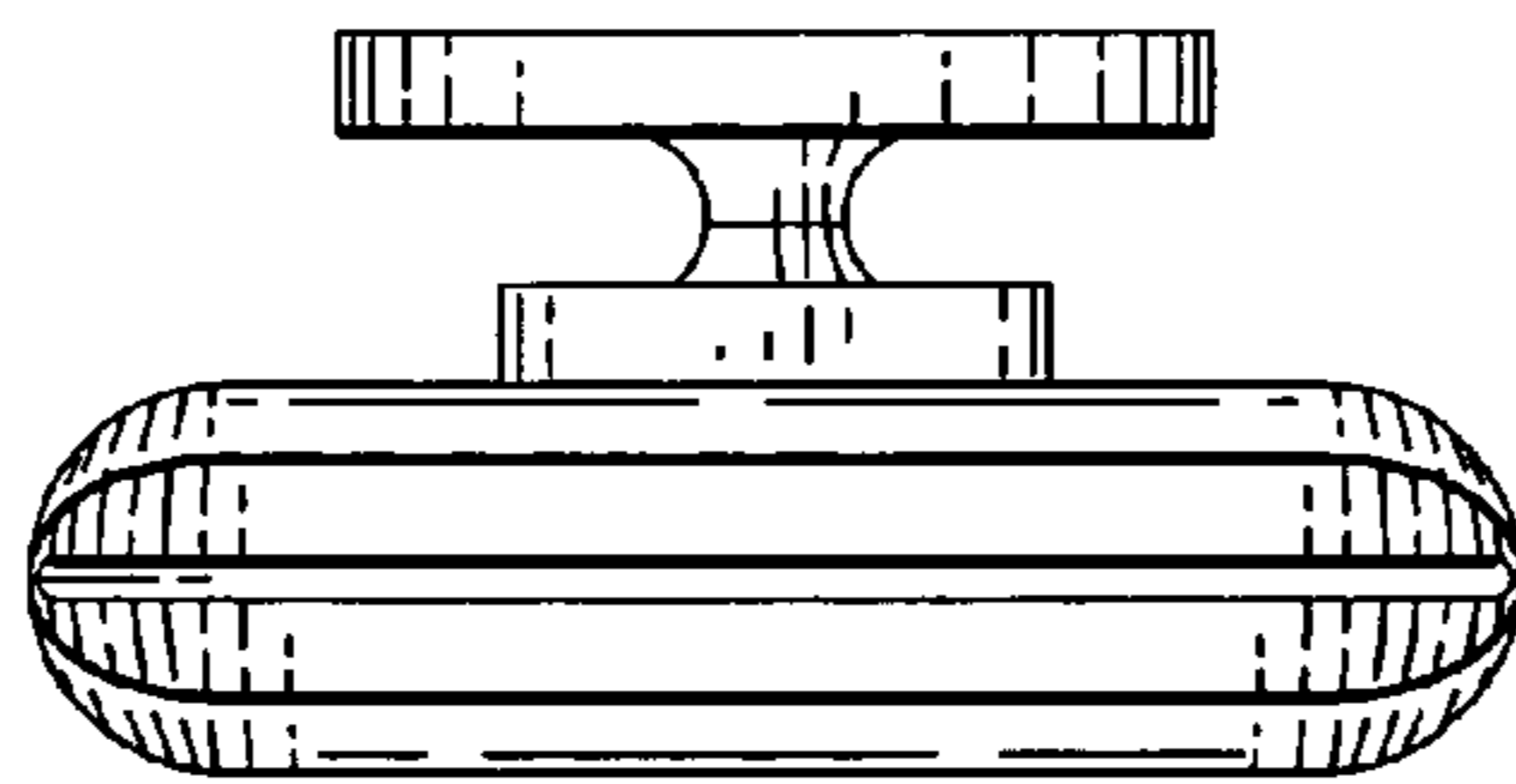
FIG. 6 is a bottom plan view thereof.

**1 Claim, 2 Drawing Sheets**

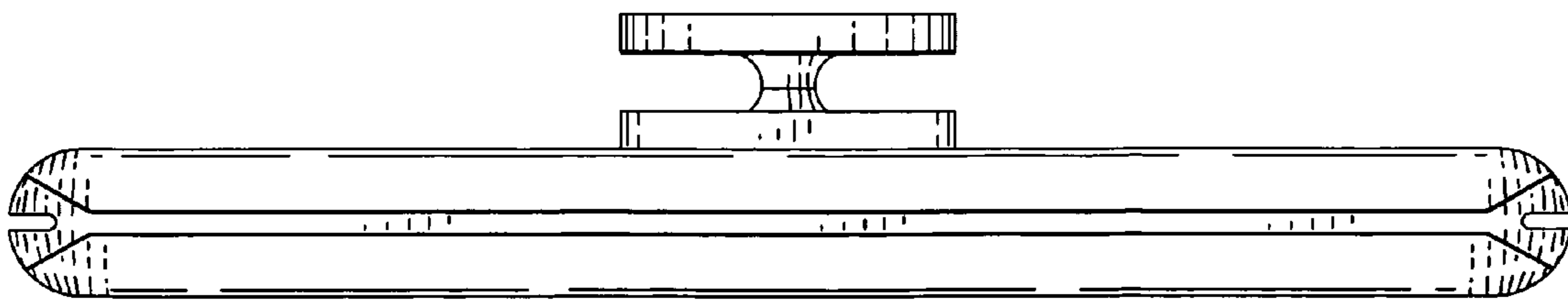




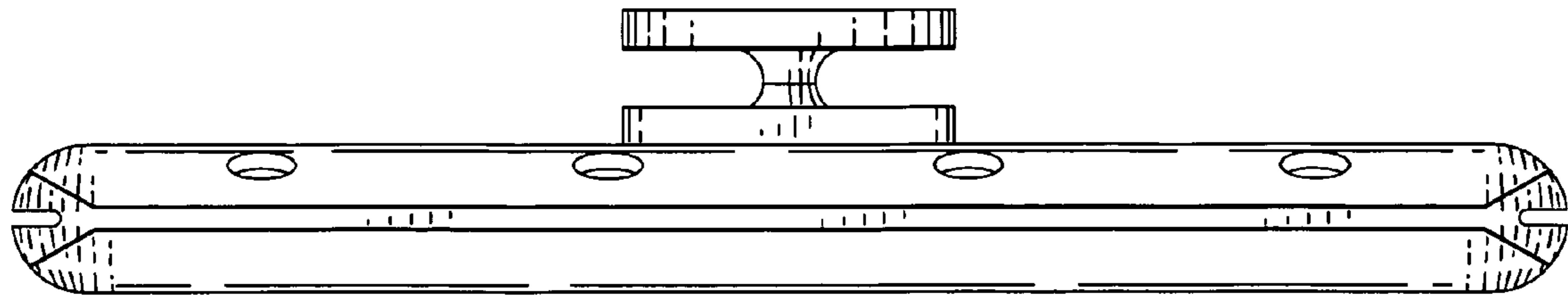
*Fig. 1*



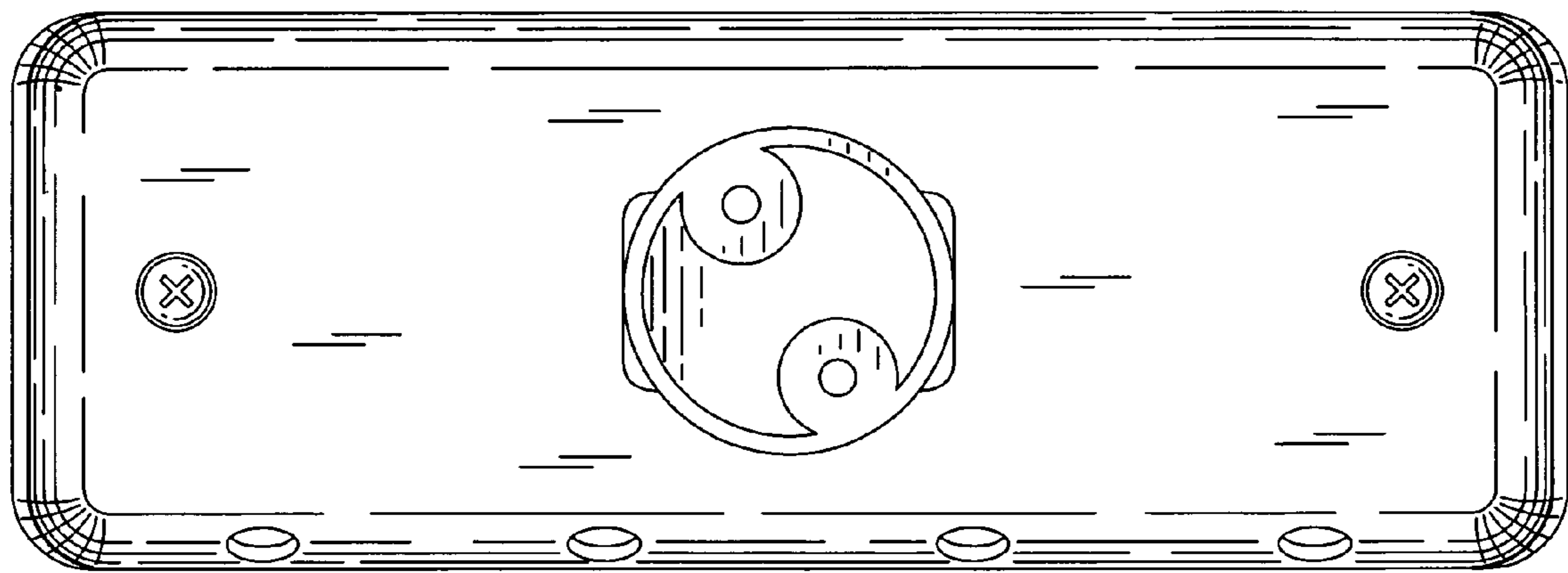
*Fig. 2*



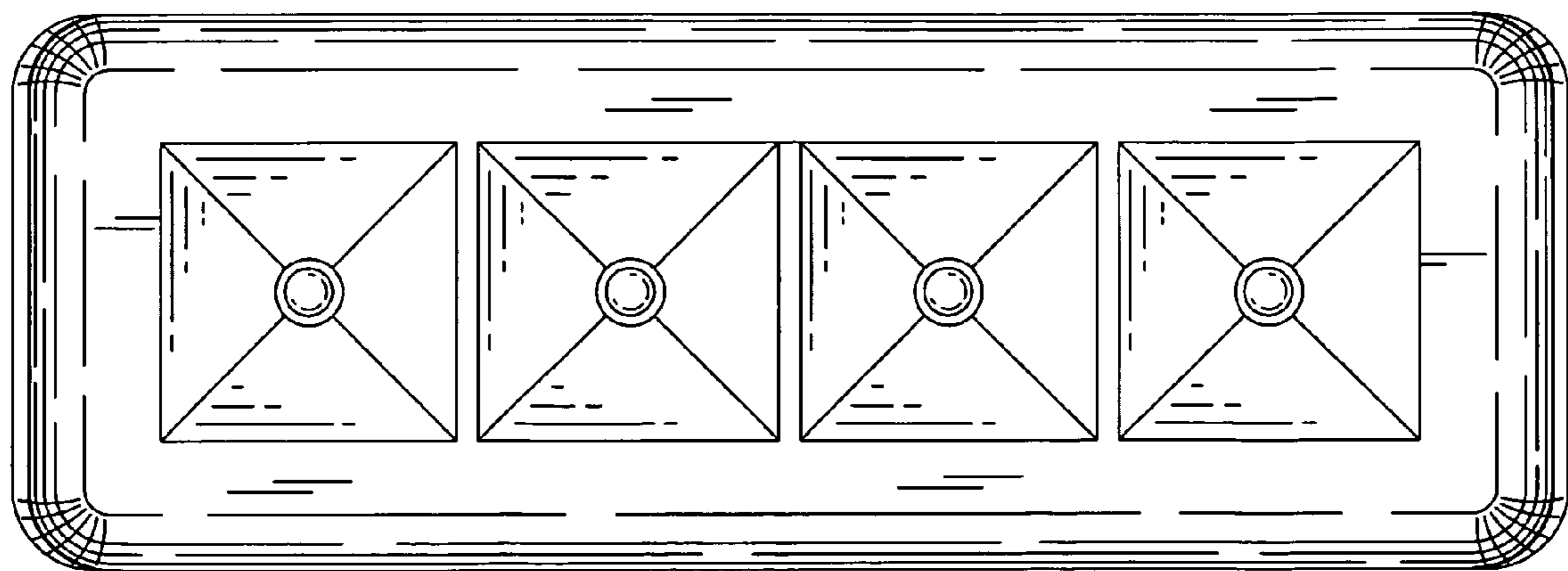
*Fig. 3*



*Fig. 4*



*Fig. 5*



*Fig. 6*