



US00D602625S

(12) **United States Design Patent**
Santoro

(10) **Patent No.:** **US D602,625 S**

(45) **Date of Patent:** **** Oct. 20, 2009**

(54) **LUMINAIRE**

(75) Inventor: **Scott Santoro**, Delta (CA)

(73) Assignee: **Koninklijke Philips Electronics N.V.**,
Eindhoven (NL)

(**) Term: **14 Years**

(21) Appl. No.: **29/332,909**

(22) Filed: **Feb. 27, 2009**

(51) **LOC (9) Cl.** **26-03**

(52) **U.S. Cl.** **D26/76**

(58) **Field of Classification Search** D26/24,
D26/61-63, 72, 74-78, 85, 87-89, 118, 120-121;
362/145, 148, 217, 220-224, 260-263, 267,
362/283, 339, 347, 363-365; D23/372, 328,
D23/385, 388

See application file for complete search history.

(56) **References Cited**

U.S. PATENT DOCUMENTS

D85,382 S *	10/1931	Guth	D26/24
3,209,142 A *	9/1965	Michel et al.	362/236
D386,804 S *	11/1997	Engel	D26/74
D407,473 S *	3/1999	Wimbock	D23/328
6,092,913 A *	7/2000	Edwards, Jr.	362/260
6,280,052 B1 *	8/2001	White	362/225

6,523,974 B2 *	2/2003	Engel	362/224
D480,501 S *	10/2003	Herst et al.	D26/121
D496,121 S *	9/2004	Santoro	D26/74
D544,992 S *	6/2007	Mayfield et al.	D26/118
D545,993 S *	7/2007	Mayfield et al.	D26/118
D572,858 S *	7/2008	Santoro	D26/74
7,413,323 B2 *	8/2008	Lippis et al.	362/147
D593,246 S *	5/2009	Fowler et al.	D26/76
2007/0211457 A1 *	9/2007	Mayfield et al.	362/223

* cited by examiner

Primary Examiner—Philip S Hyder

Assistant Examiner—Susan E Krakower

(74) *Attorney, Agent, or Firm*—John F. Salazar; Middleton Reutlinger

(57) **CLAIM**

The ornamental design for a luminaire, as shown and described.

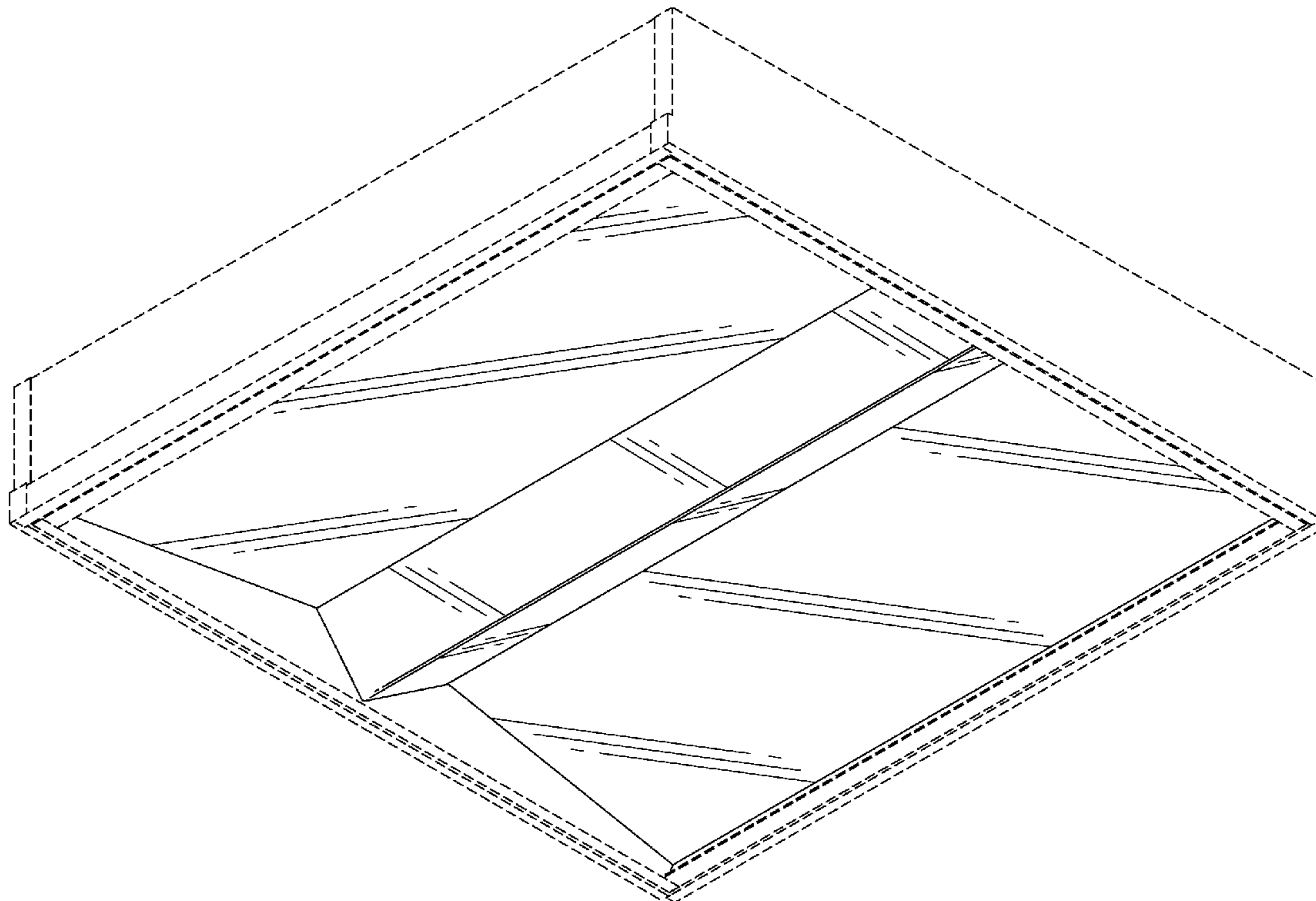
DESCRIPTION

FIG. 1 is a bottom perspective view of the luminaire of the present invention; and,

FIG. 2 is a bottom view of the luminaire of FIG. 1.

The broken lines showing environmental structure are for illustrative purposes only and form no part of the claimed design.

1 Claim, 2 Drawing Sheets



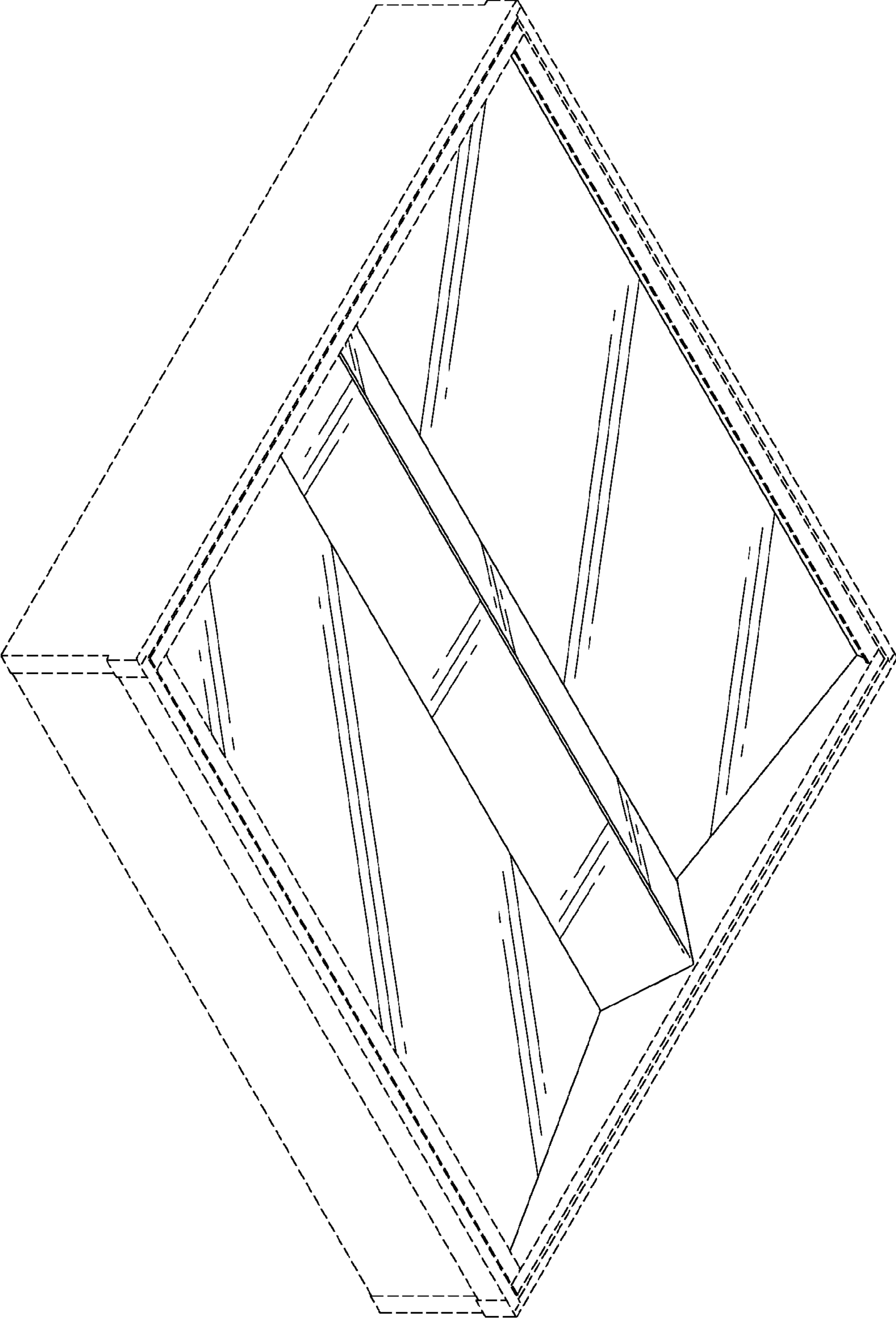


FIG. 1

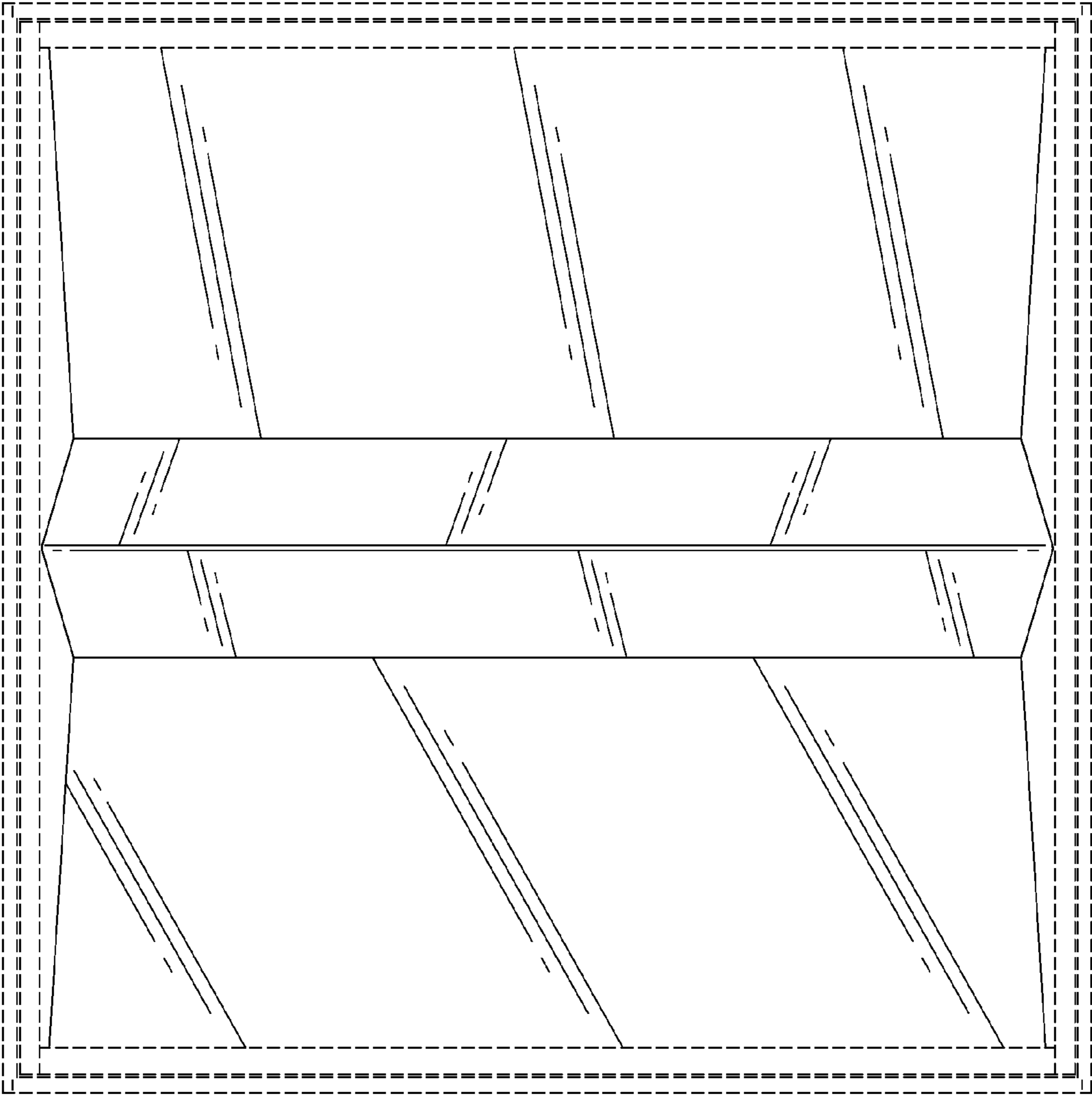


FIG. 2