



US00D602622S

(12) **United States Design Patent**
Kay

(10) **Patent No.:** **US D602,622 S**

(45) **Date of Patent:** **** Oct. 20, 2009**

(54) **ADJUSTABLE LIGHT FIXTURE WITH BELL HOUSING**

(75) Inventor: **Gregory L. Kay**, Chicago, IL (US)

(73) Assignee: **Lightology, LLC**, Chicago, IL (US)

(**) Term: **14 Years**

(21) Appl. No.: **29/312,798**

(22) Filed: **Nov. 12, 2008**

(51) **LOC (9) Cl.** **26-05**

(52) **U.S. Cl.** **D26/65**

(58) **Field of Classification Search** D26/24,
D26/44, 45, 61, 62, 63, 64, 65, 66, 72, 73,
D26/87, 93, 104, 105, 106, 107, 108; 362/145,
362/147, 148, 153, 220, 217.02, 269, 277,
362/282, 285, 287, 296.05, 311.05, 311.06,
362/372, 228, 236, 237, 249.03, 249.04,
362/249.06, 249.07, 249.08, 249.09, 249.1,
362/249.11

See application file for complete search history.

(56) **References Cited**

U.S. PATENT DOCUMENTS

4,300,190	A *	11/1981	Mershon	362/404
D287,413	S *	12/1986	Kusmer et al.	D26/65
D438,320	S *	2/2001	Tang	D26/63
D442,309	S *	5/2001	Miller et al.	D26/63
D444,252	S *	6/2001	Miller et al.	D26/63
D492,054	S *	6/2004	Donegani et al.	D26/63
D503,819	S *	4/2005	Pickett	D26/59
D539,460	S *	3/2007	Mier-Langner et al.	D26/63
D541,966	S *	5/2007	Benghozi	D26/63
D556,354	S *	11/2007	Prazoff	D26/61
D573,749	S *	7/2008	Hsu	D26/87
2005/0078482	A1 *	4/2005	Bartlett	362/285

* cited by examiner

Primary Examiner—Jennifer Rivard

Assistant Examiner—Angela J Lee

(74) *Attorney, Agent, or Firm*—Wood, Phillips, Katz, Clark & Mortimer

(57) **CLAIM**

The ornamental design for a adjustable light fixture with bell housing, as shown and described.

DESCRIPTION

FIG. 1 is a perspective view of the adjustable light fixture with bell housing according to the present invention;

FIG. 2 is a left side view of the adjustable light fixture with bell housing of the present invention;

FIG. 3 is a right side view of the adjustable light fixture with bell housing of the present invention;

FIG. 4 is a back side view of the adjustable light fixture with bell housing of the present invention;

FIG. 5 is a front side view of the adjustable light fixture with bell housing of the present invention;

FIG. 6 is a top view of the adjustable light fixture with bell housing of the present invention; and,

FIG. 7 is a bottom view of the adjustable light fixture with bell housing of the present invention.

The interior of the light housing as seen from its bottom (inside the circular dashed line in FIG. 7) does not form a part of the claimed design.

The track connecting portion secured to the top of the vertical mounting arm (as illustrated in dashed lines in FIGS. 1–5) also does not form a part of the claimed design.

The top of the vertical mounting arm (inside the round dashed line at the top of the arm in FIGS. 1 and 6) also does not form a part of the claimed design.

1 Claim, 4 Drawing Sheets

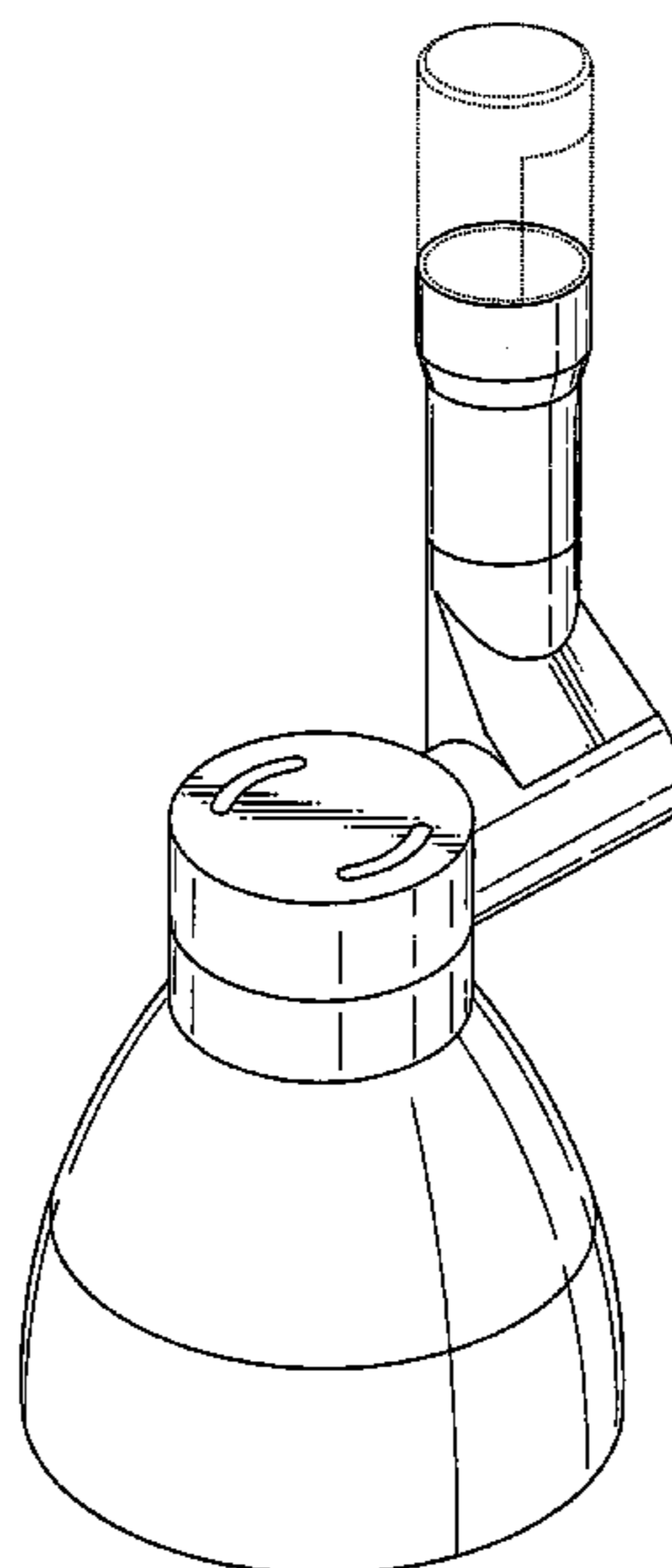
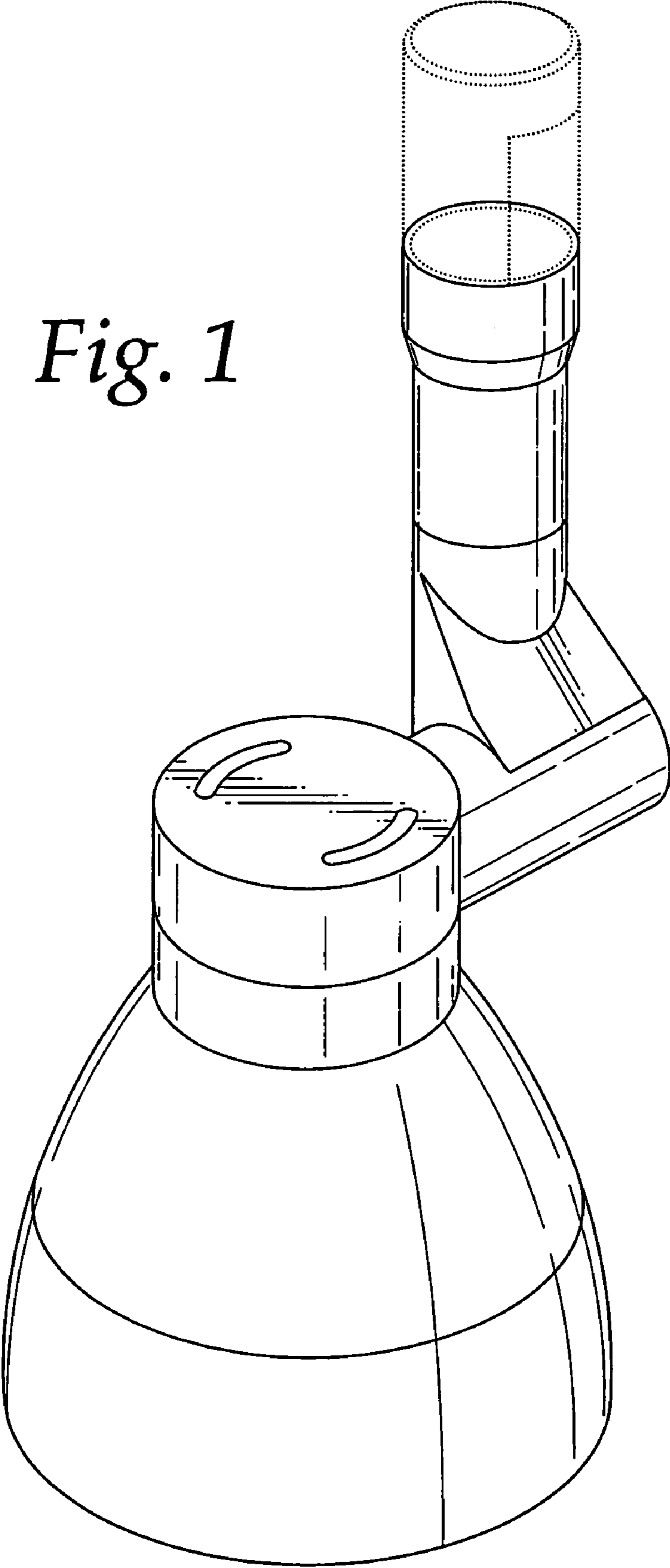


Fig. 1



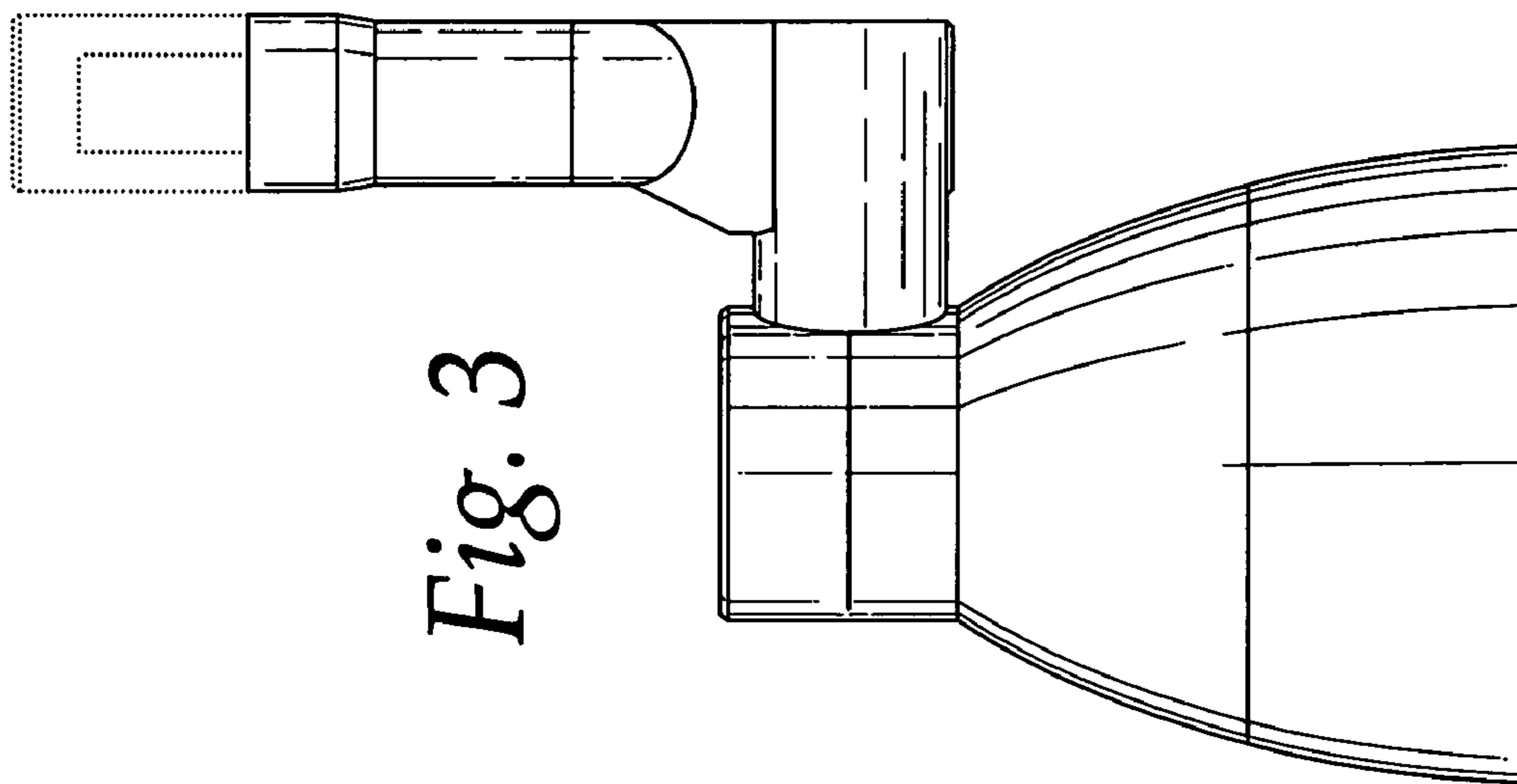


Fig. 3

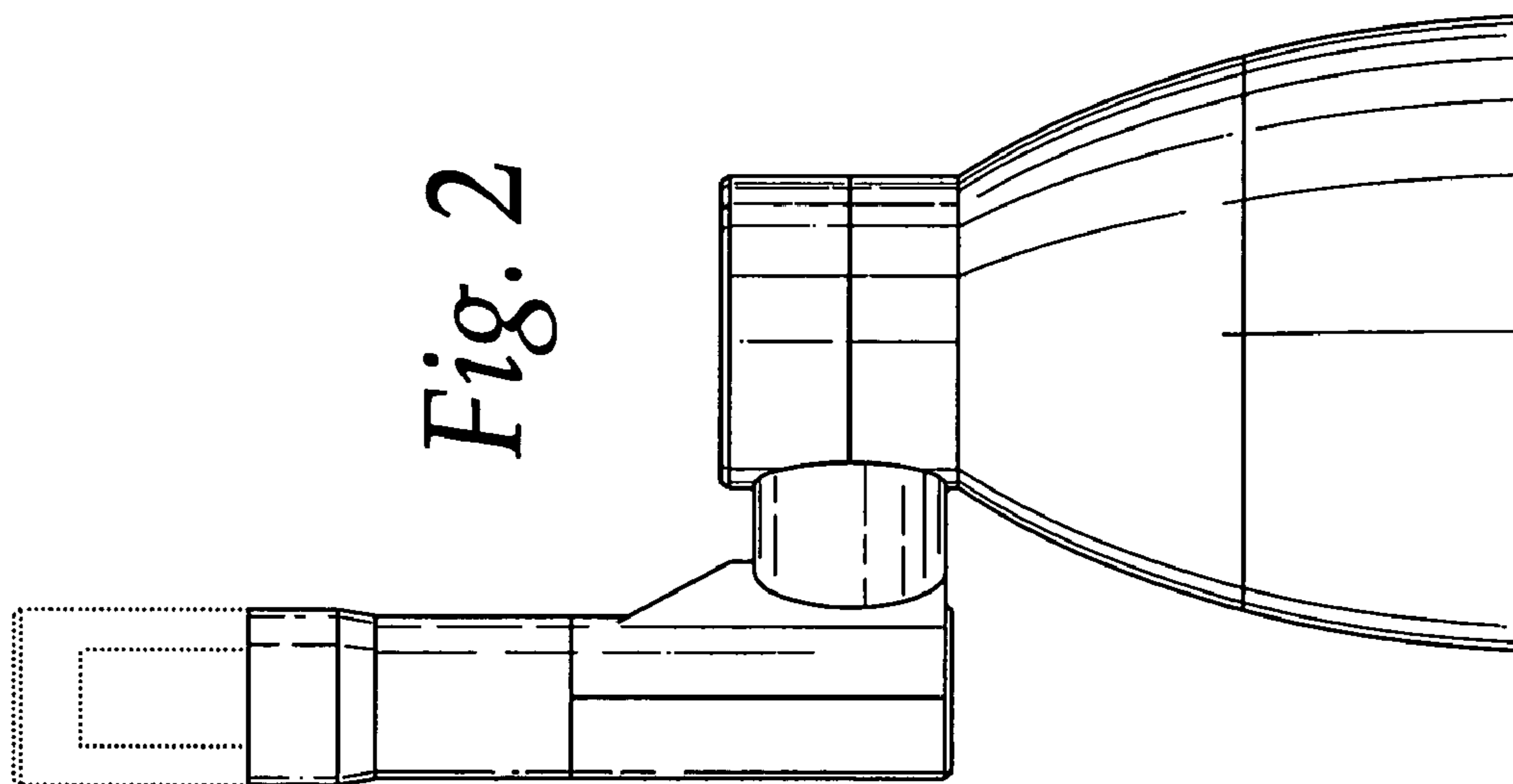
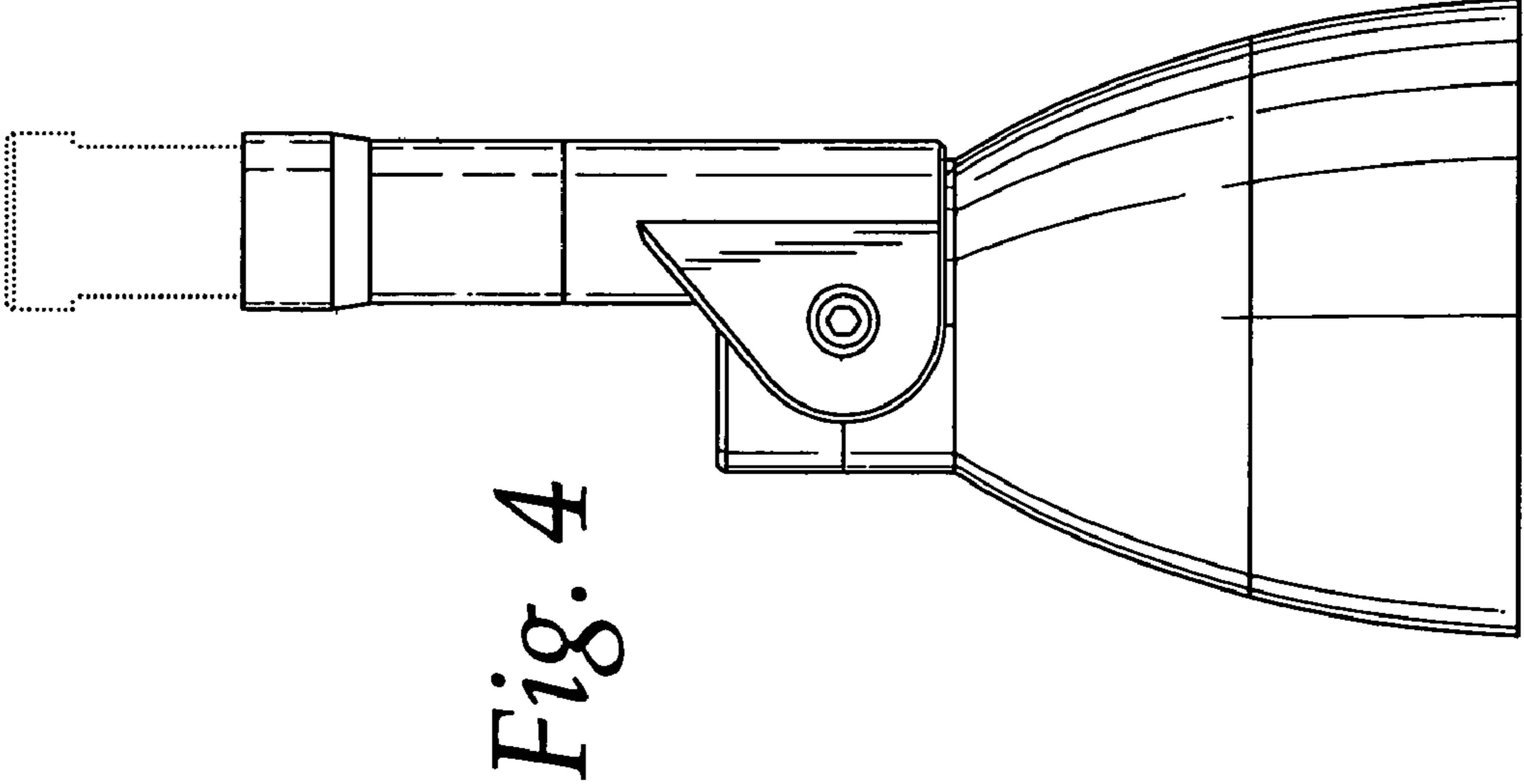
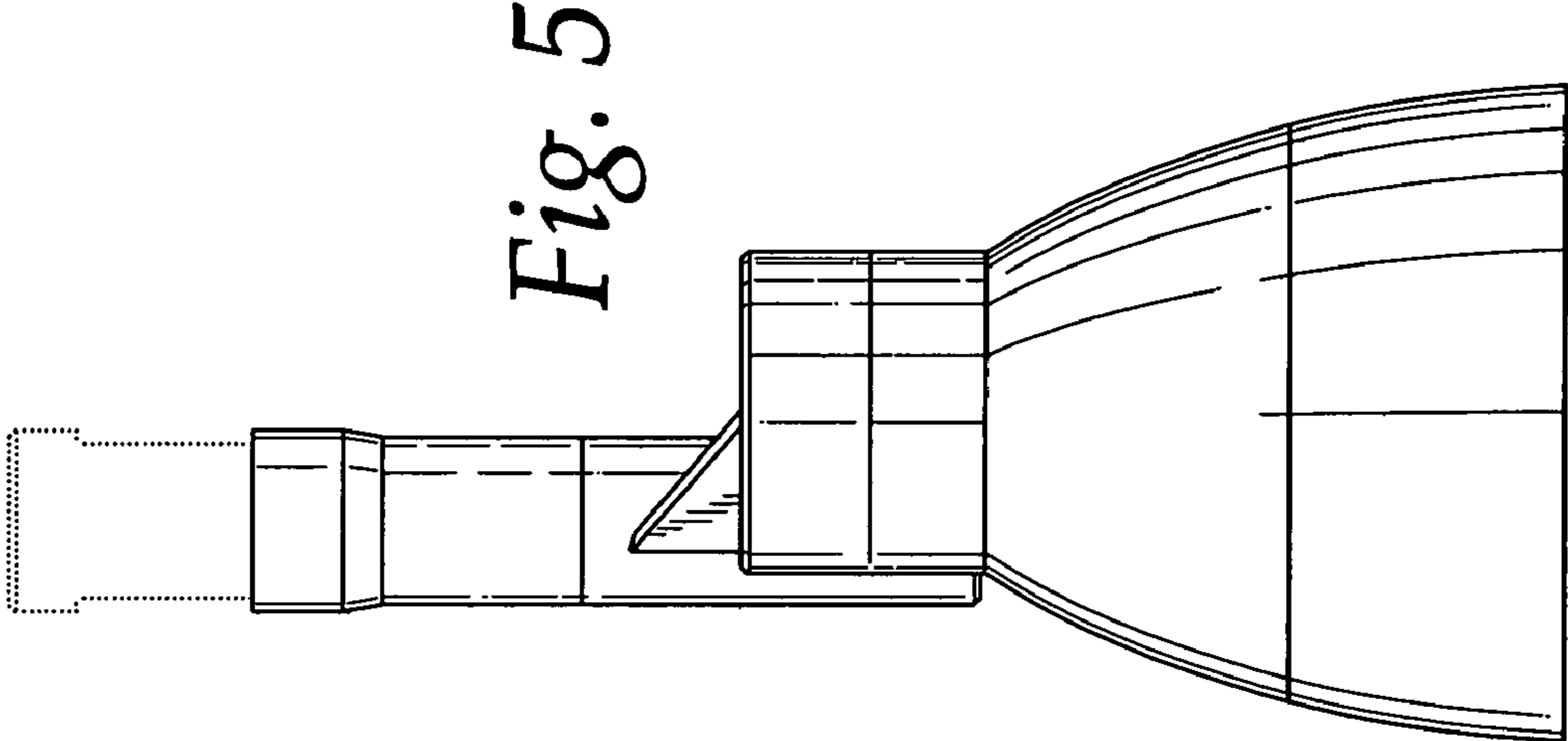


Fig. 2



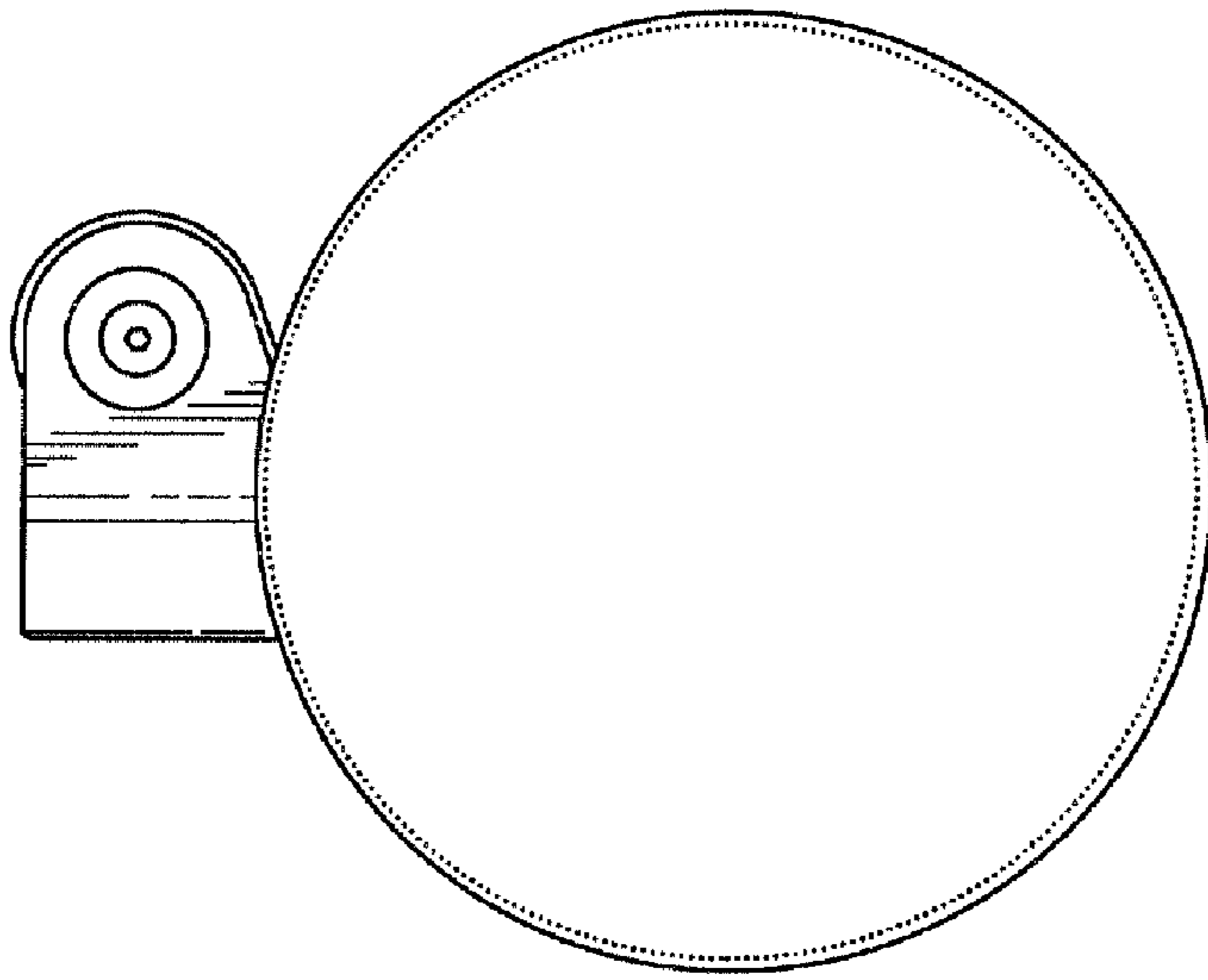


Fig. 7

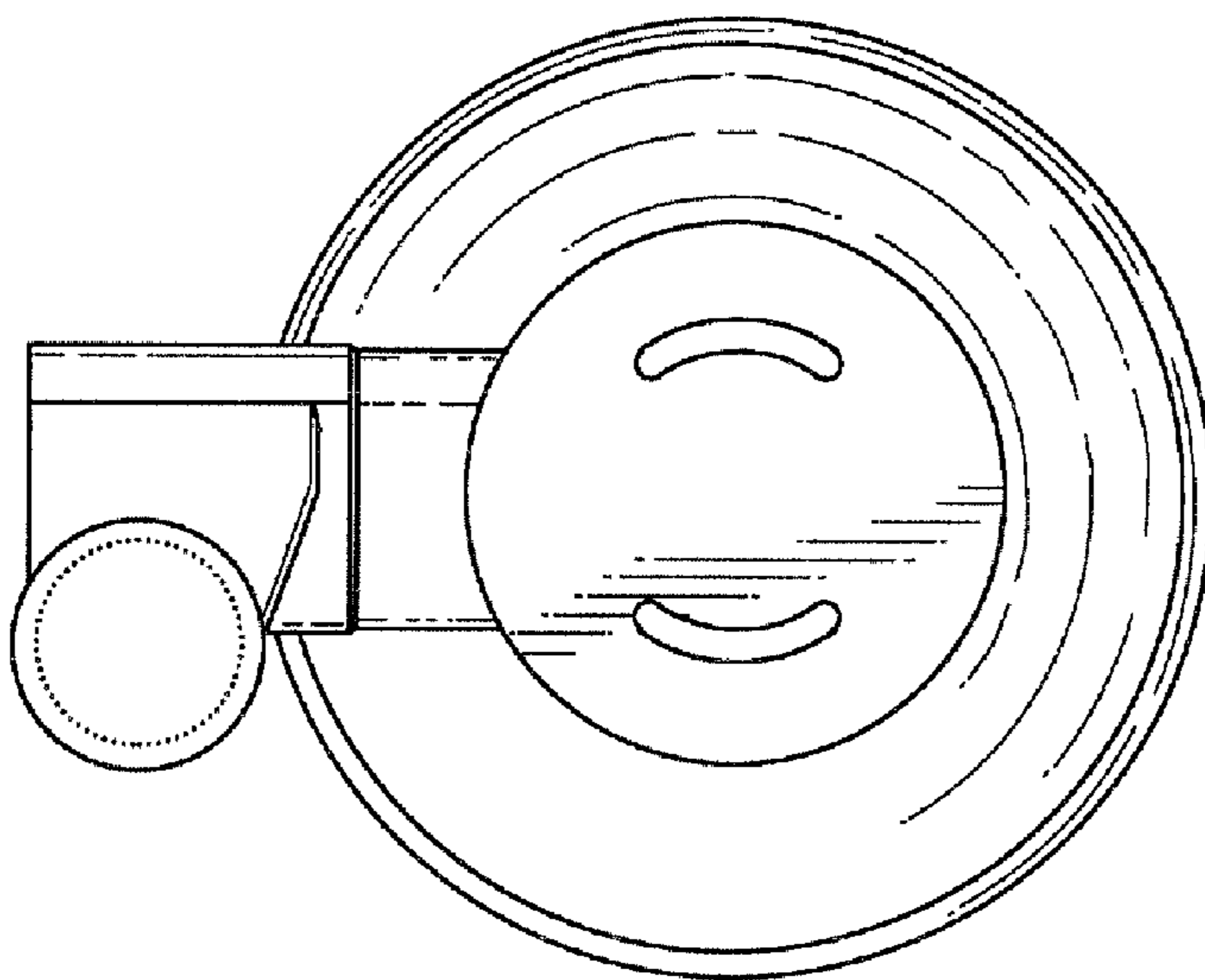


Fig. 6