



US00D602620S

(12) **United States Design Patent**  
**Cristoforo**

(10) **Patent No.:** **US D602,620 S**

(45) **Date of Patent:** **\*\* Oct. 20, 2009**

(54) **EYE GLASS CLIP WITH ADJUSTABLE  
BOOM MOUNTED LIGHT**

(76) **Inventor:** **Michael Cristoforo**, 5155 SW. Bimini  
Circle S., Palm City, FL (US) 34990

(\*\*) **Term:** **14 Years**

(21) **Appl. No.:** **29/329,544**

(22) **Filed:** **Dec. 17, 2008**

(51) **LOC (9) Cl.** ..... **26-05**

(52) **U.S. Cl.** ..... **D26/60**

(58) **Field of Classification Search** ..... D26/24,  
D26/26, 37, 38, 39, 40, 44, 47, 49, 51, 52,  
D26/57, 60, 61, 63, 67, 72, 73, 88, 95, 113,  
D26/118, 125, 156, 85, 89; D13/107, 108;  
D14/432, 435.1, 255, 356; D23/366, 367,  
D23/369; 362/217.02, 640, 641, 642, 643,  
362/644, 652, 653, 657, 658, 659, 477, 88,  
362/89, 98, 103, 104, 105, 109, 157, 171,  
362/183, 190, 191, 194, 195, 249.1, 311.01,  
362/311.04, 311.05, 806, 147, 404; D16/309,  
D16/323, 330, 336, 341, 900  
See application file for complete search history.

(56) **References Cited**

**U.S. PATENT DOCUMENTS**

D215,751	S	*	10/1969	Castellano	.....	D26/38
D388,113	S	*	12/1997	Feinbloom	.....	D16/309
5,722,762	A	*	3/1998	Soll	.....	362/105
D405,203	S	*	2/1999	Tobianski	.....	D26/60
D405,901	S	*	2/1999	Feinbloom et al.	.....	D26/39
D415,301	S	*	10/1999	Stacy et al.	.....	D26/63
D441,388	S	*	5/2001	Lightman	.....	D16/300

D464,750	S	*	10/2002	Cooper	.....	D26/28
6,623,141	B2	*	9/2003	Lehrer	.....	362/187
D482,812	S	*	11/2003	Cooper	.....	D26/60
6,974,226	B2	*	12/2005	Chang	.....	362/103
D526,079	S	*	8/2006	Heun	.....	D26/60
D591,439	S	*	4/2009	Cristoforo	.....	D26/39

\* cited by examiner

*Primary Examiner*—Jennifer Rivard

*Assistant Examiner*—Angela J Lee

(74) *Attorney, Agent, or Firm*—McHale & Slavin, P.A.

(57) **CLAIM**

The ornamental design for a eye glass clip with adjustable boom mounted light, as shown and described.

**DESCRIPTION**

FIG. 1 is a perspective view of the eye glass clip with adjustable boom mounted light of the instant invention;

FIG. 2 is a front view thereof;

FIG. 3 is a rear view thereof;

FIG. 4 is a left side view thereof;

FIG. 5 is a right side view thereof;

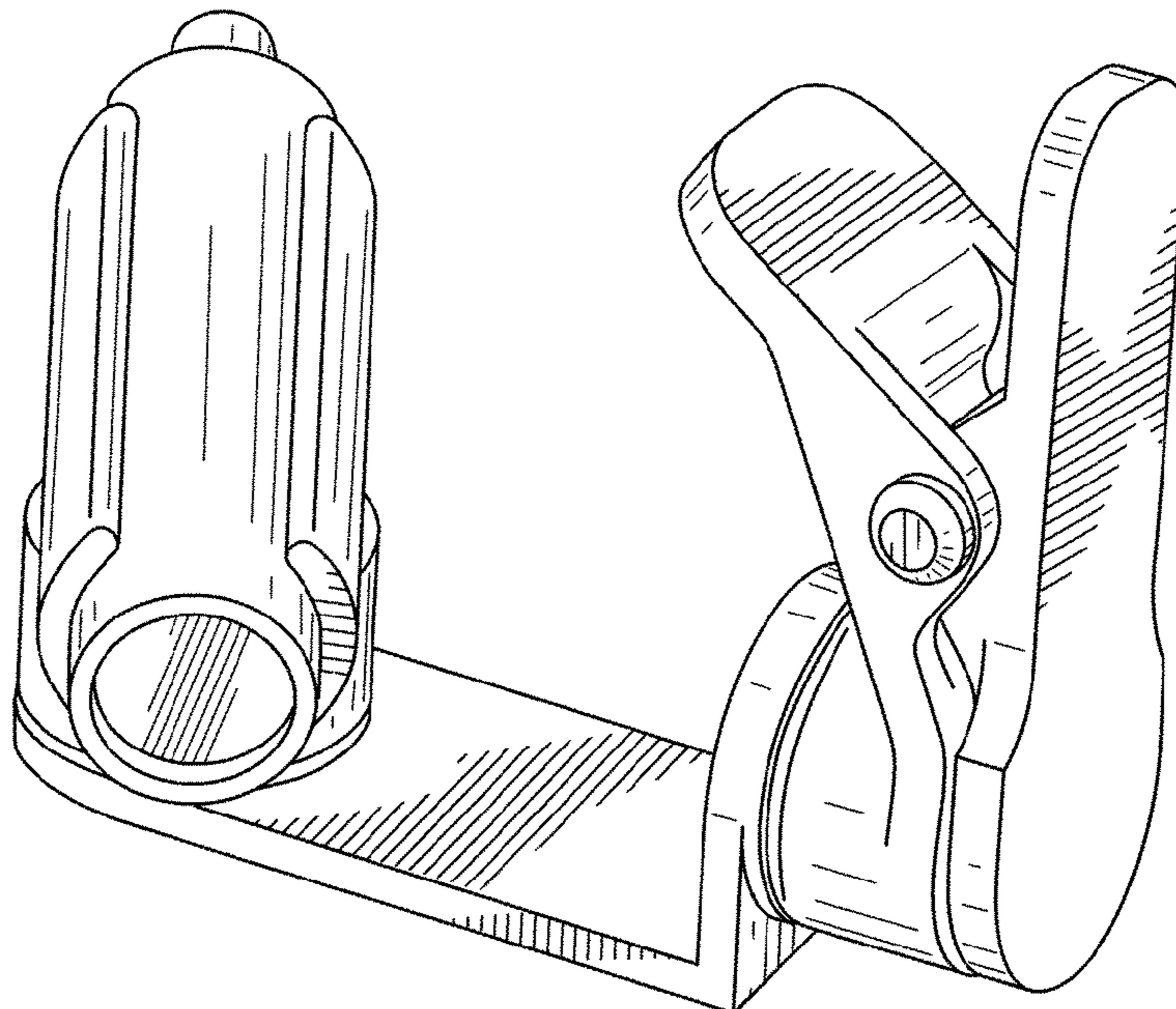
FIG. 6 is a top view thereof;

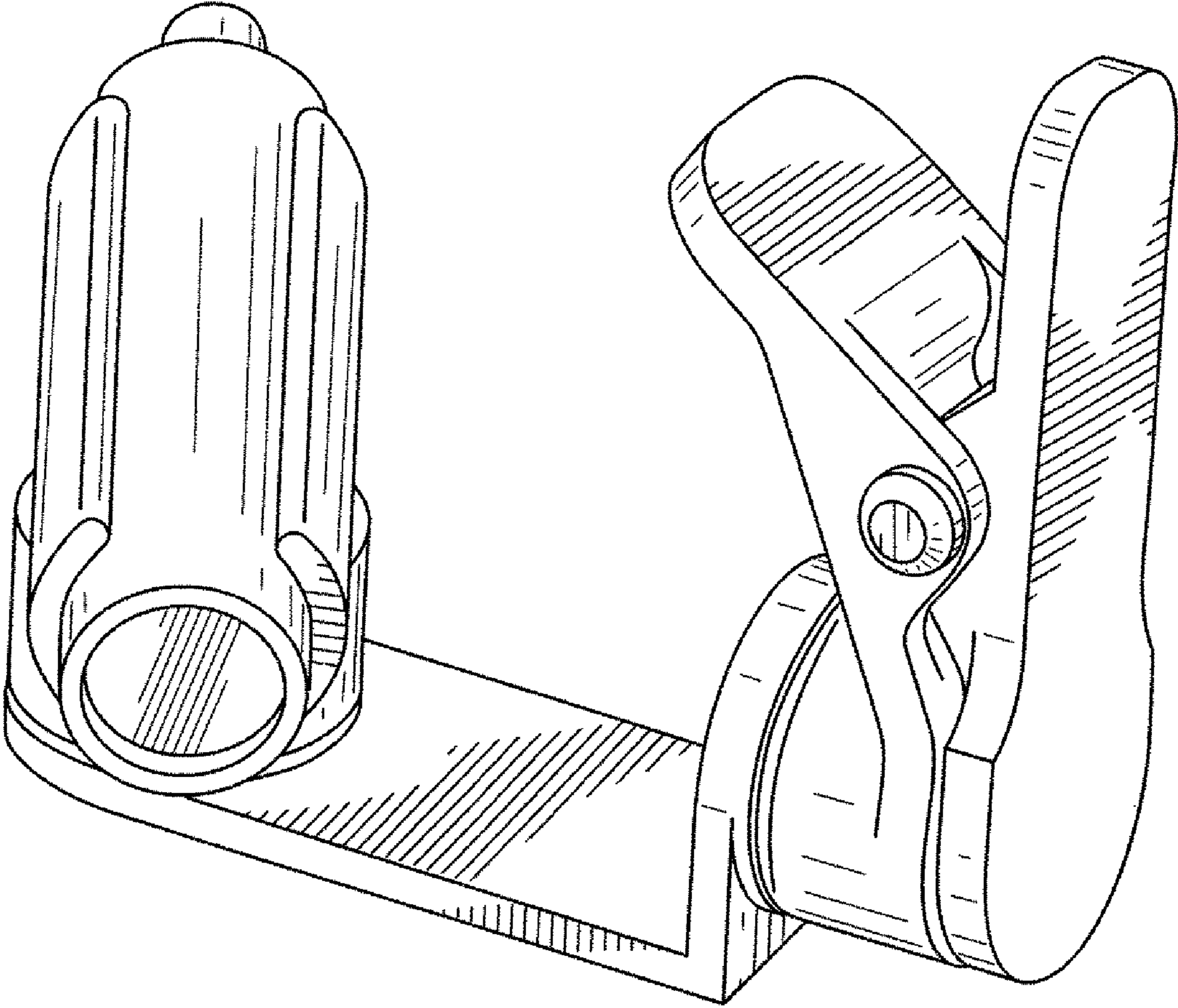
FIG. 7 is a bottom view thereof; and,

FIG. 8 is a perspective view illustrating the instant invention secure to a pair of eyeglasses.

The portions of figures illustrated in broken lines are for environmental purposes only and form no part of the claimed design.

**1 Claim, 8 Drawing Sheets**





**FIG. 1**

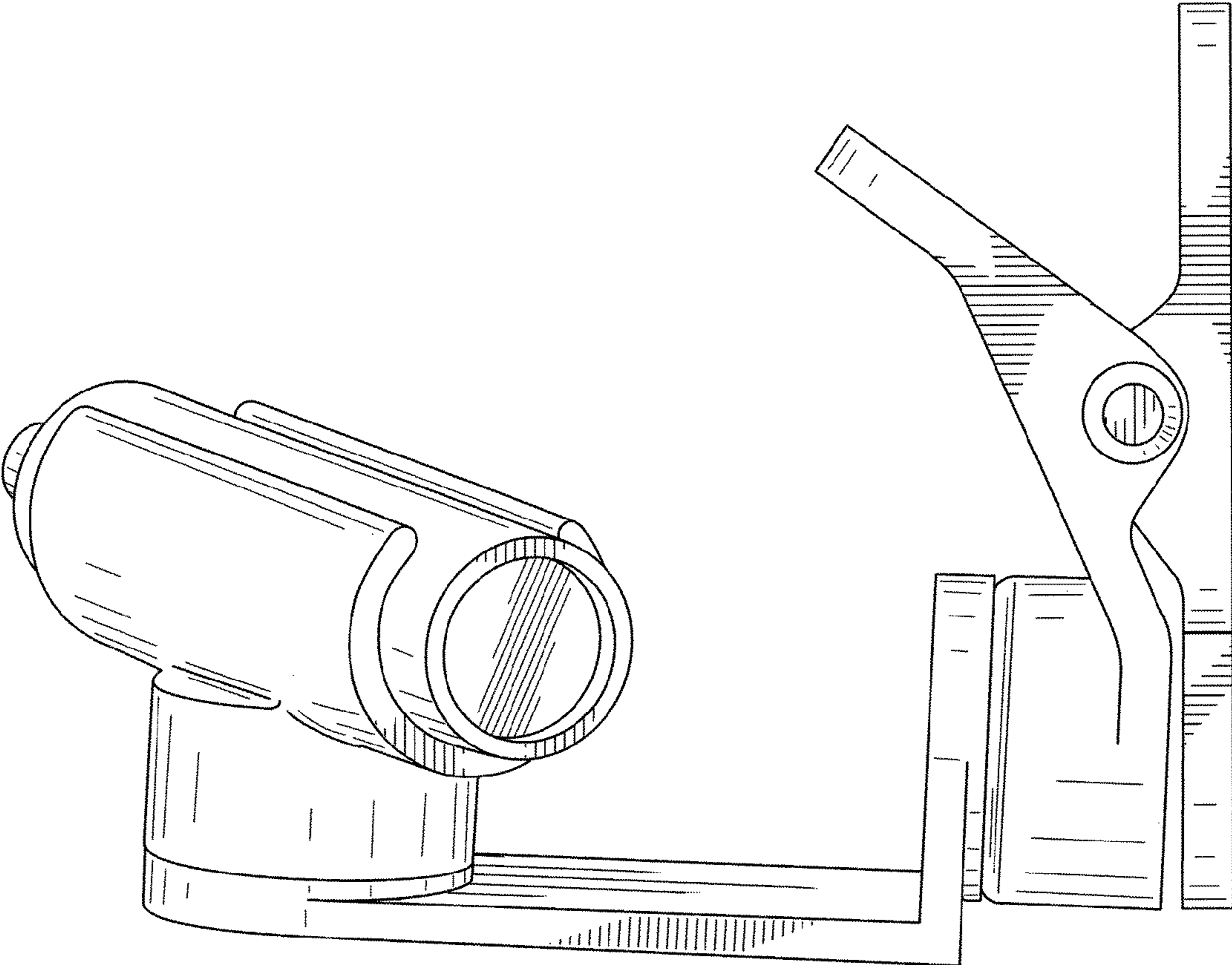


FIG. 2

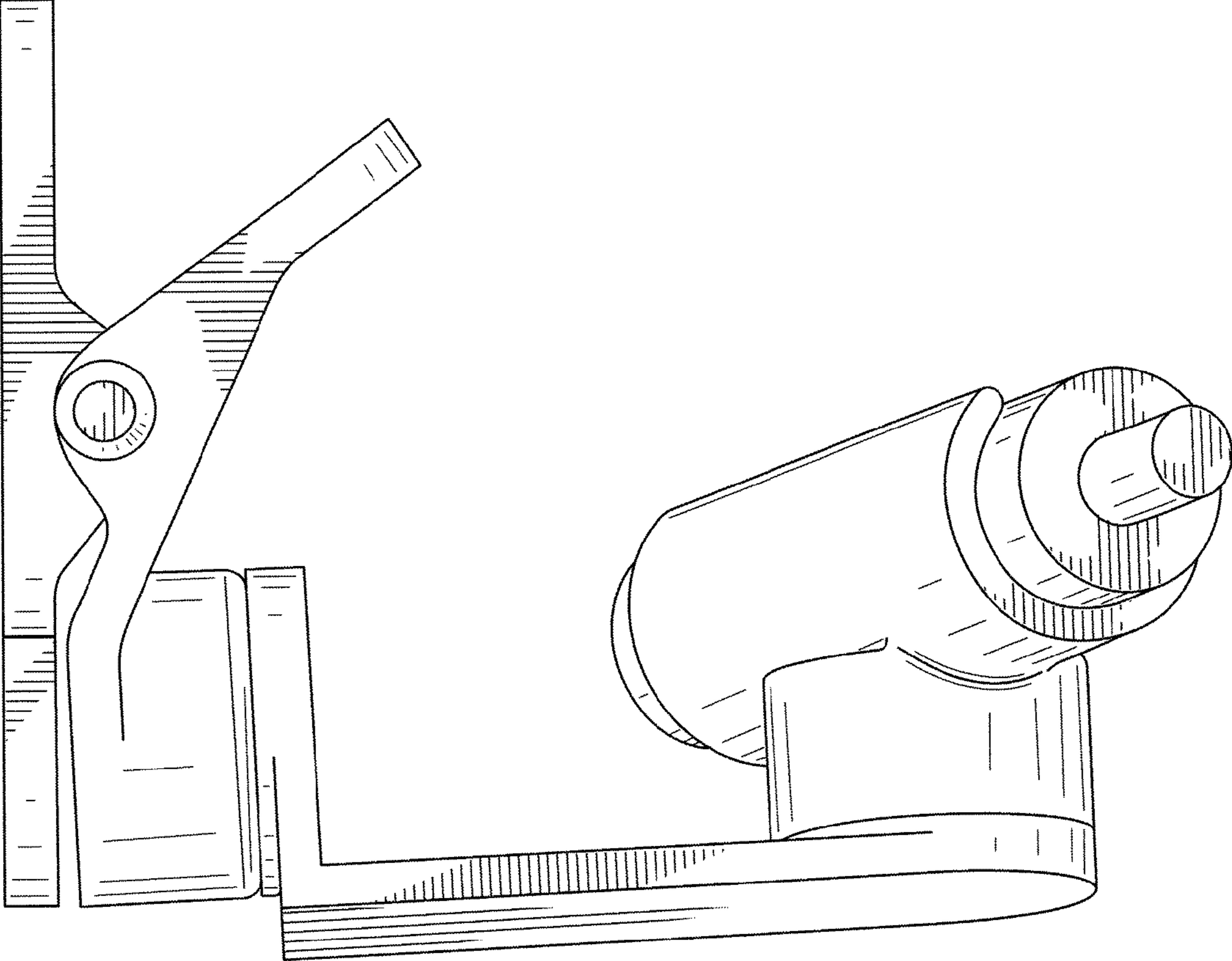


FIG. 3



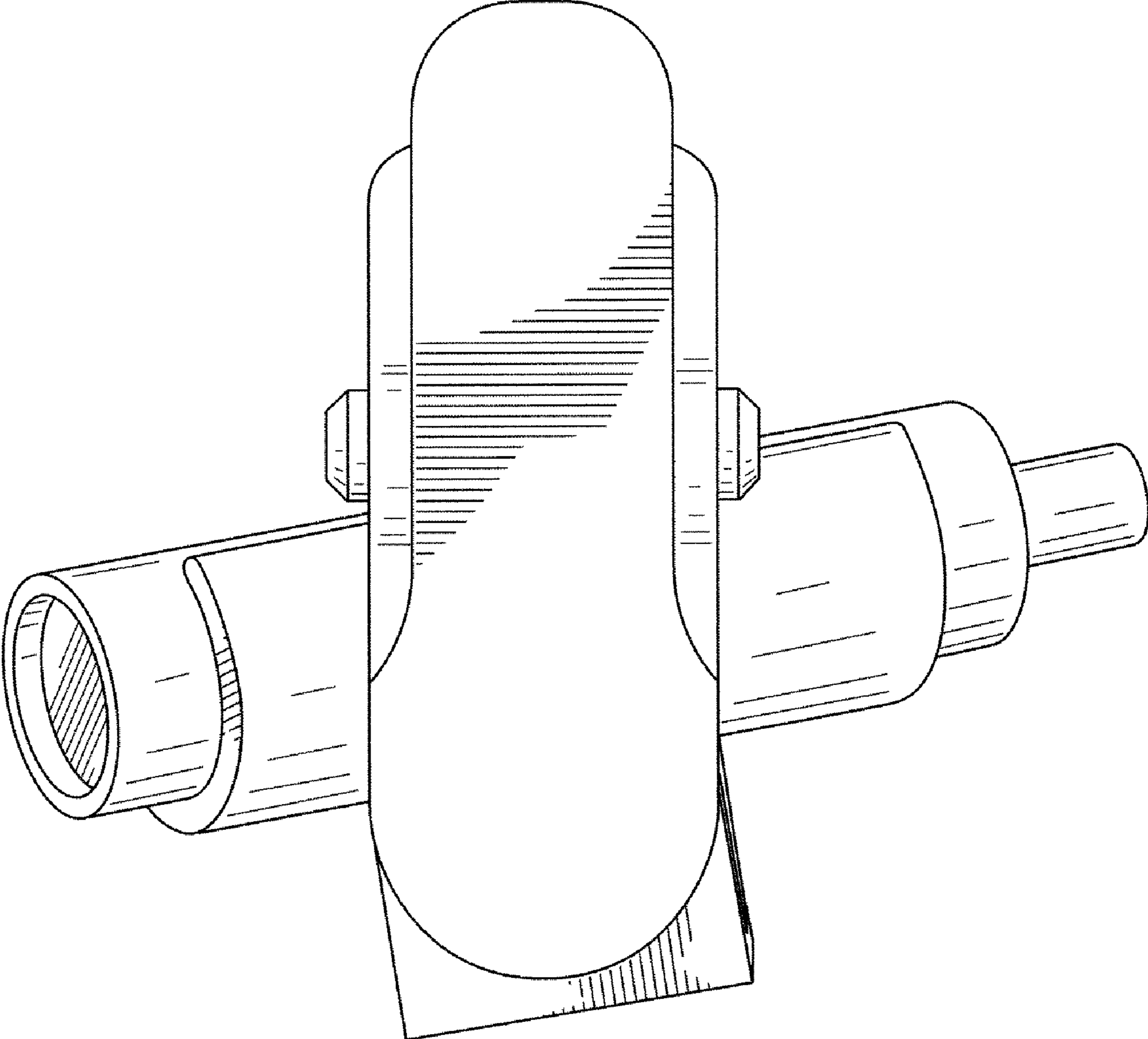


FIG. 4

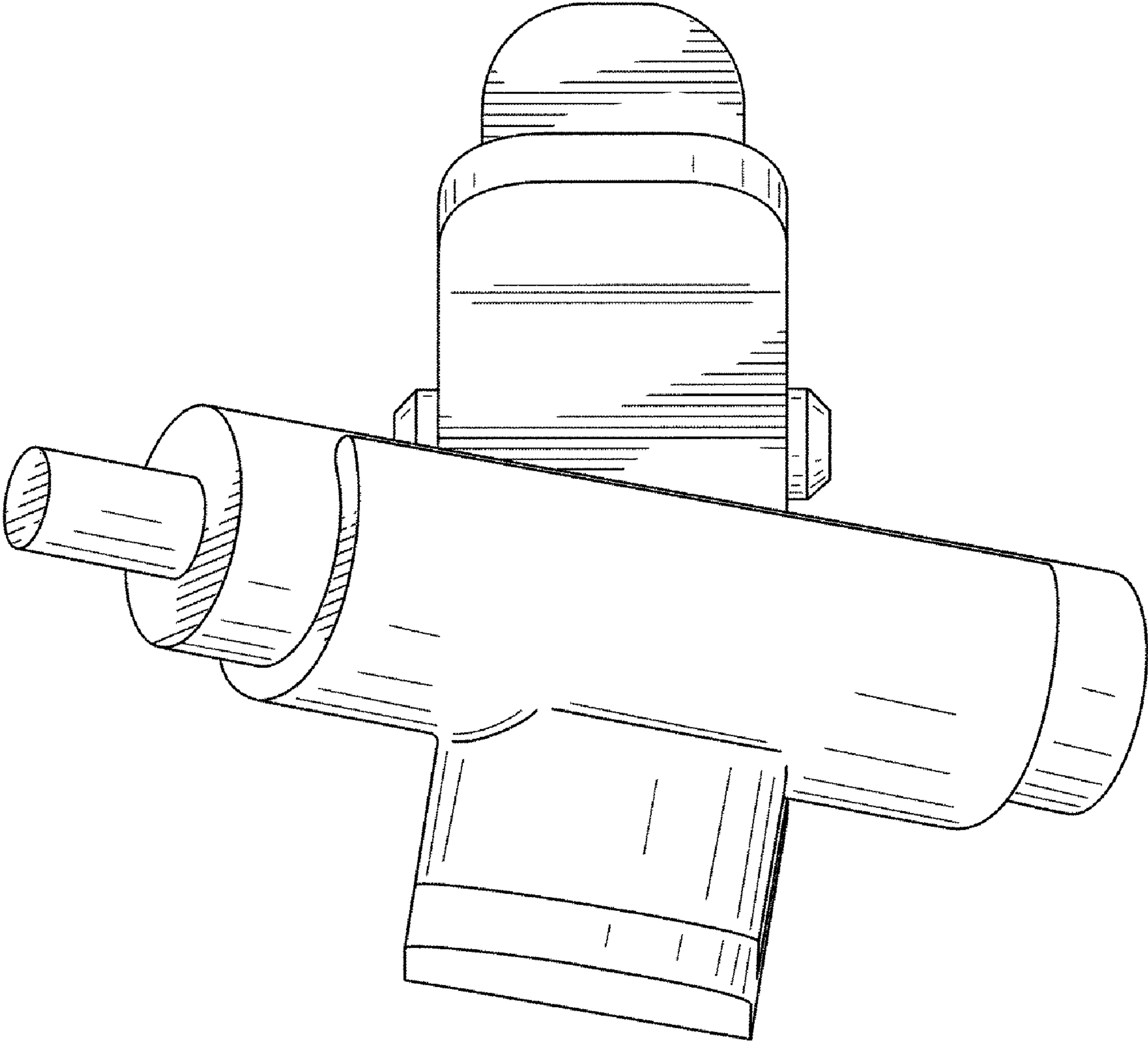


FIG. 5

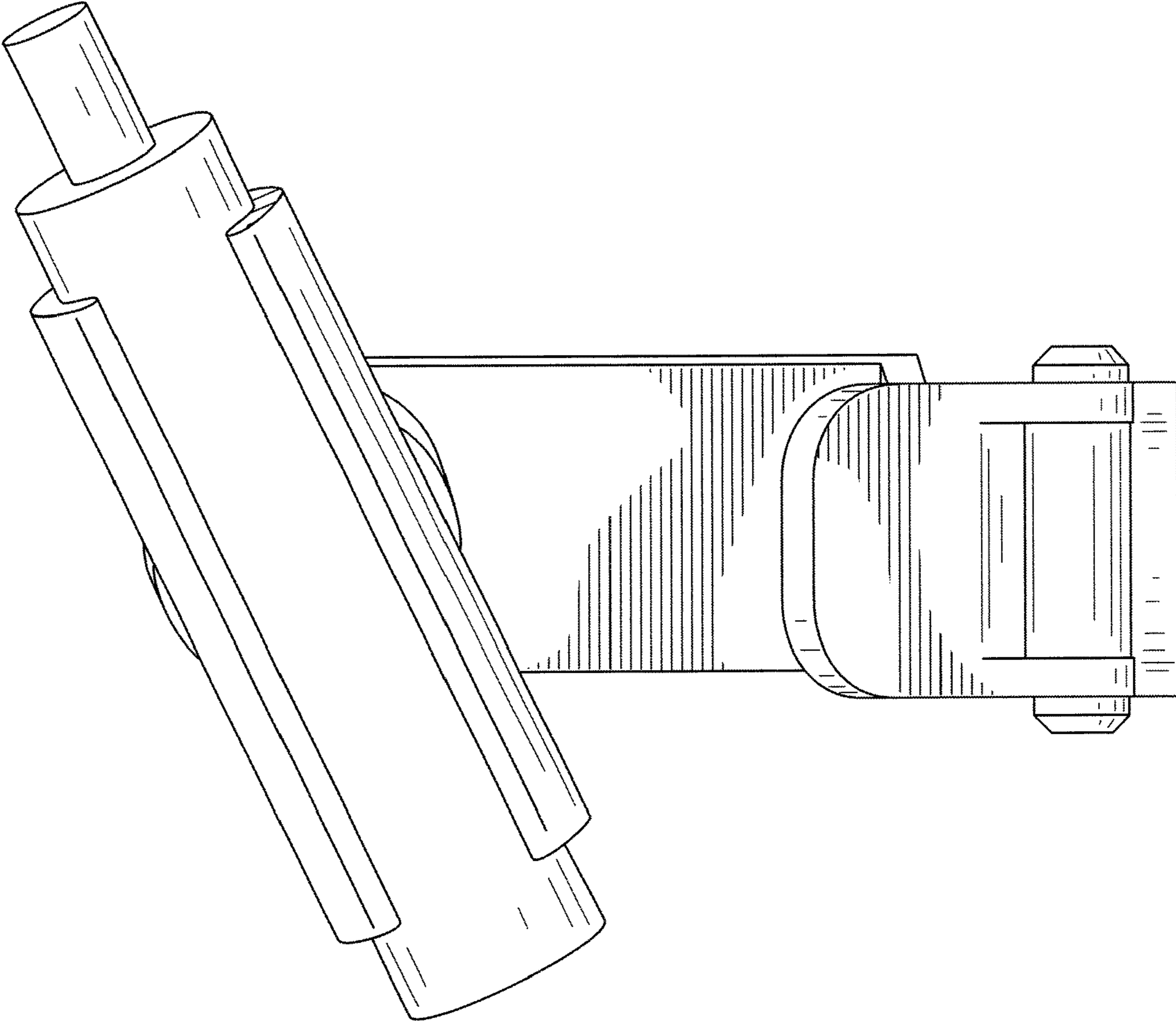
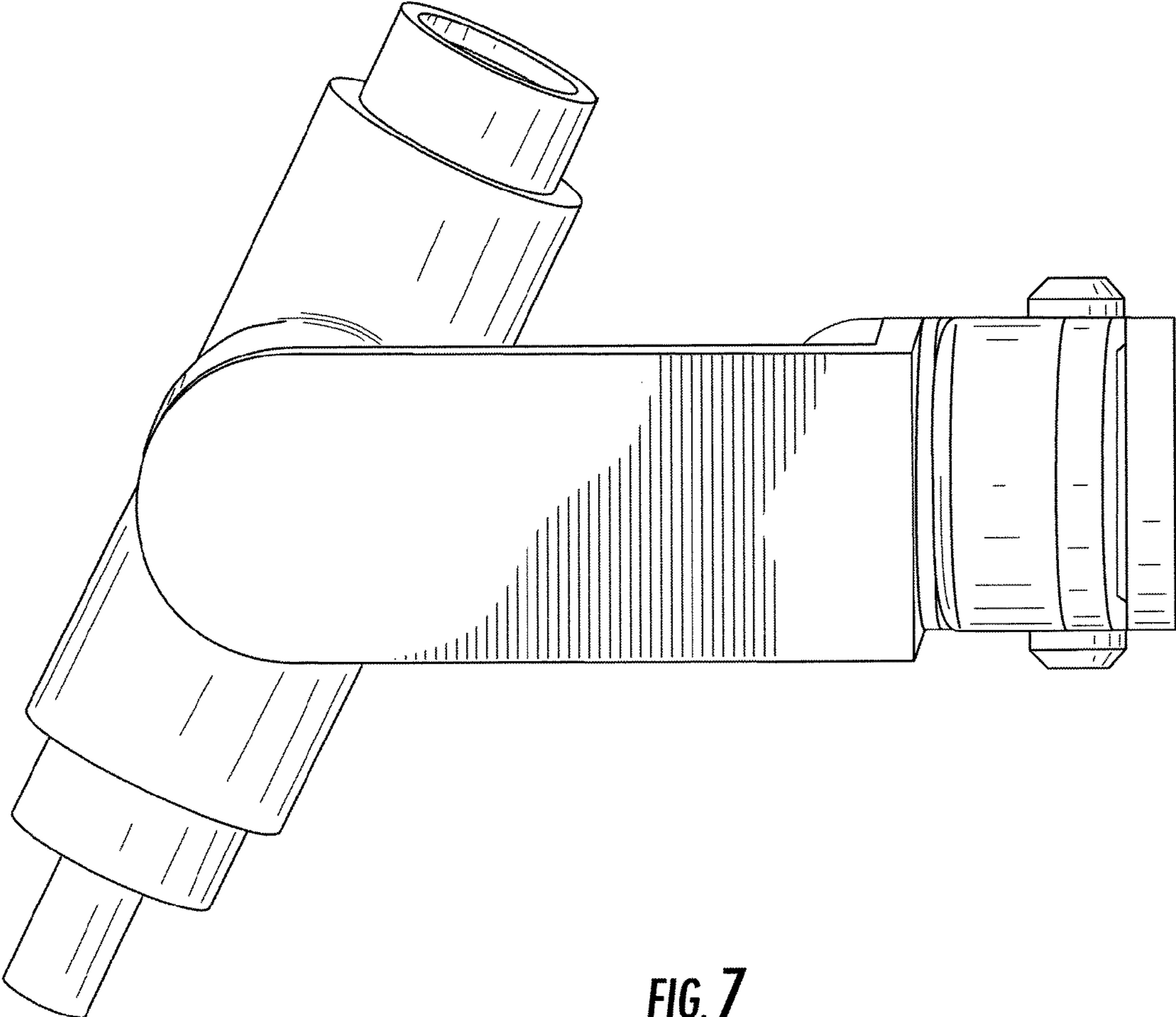
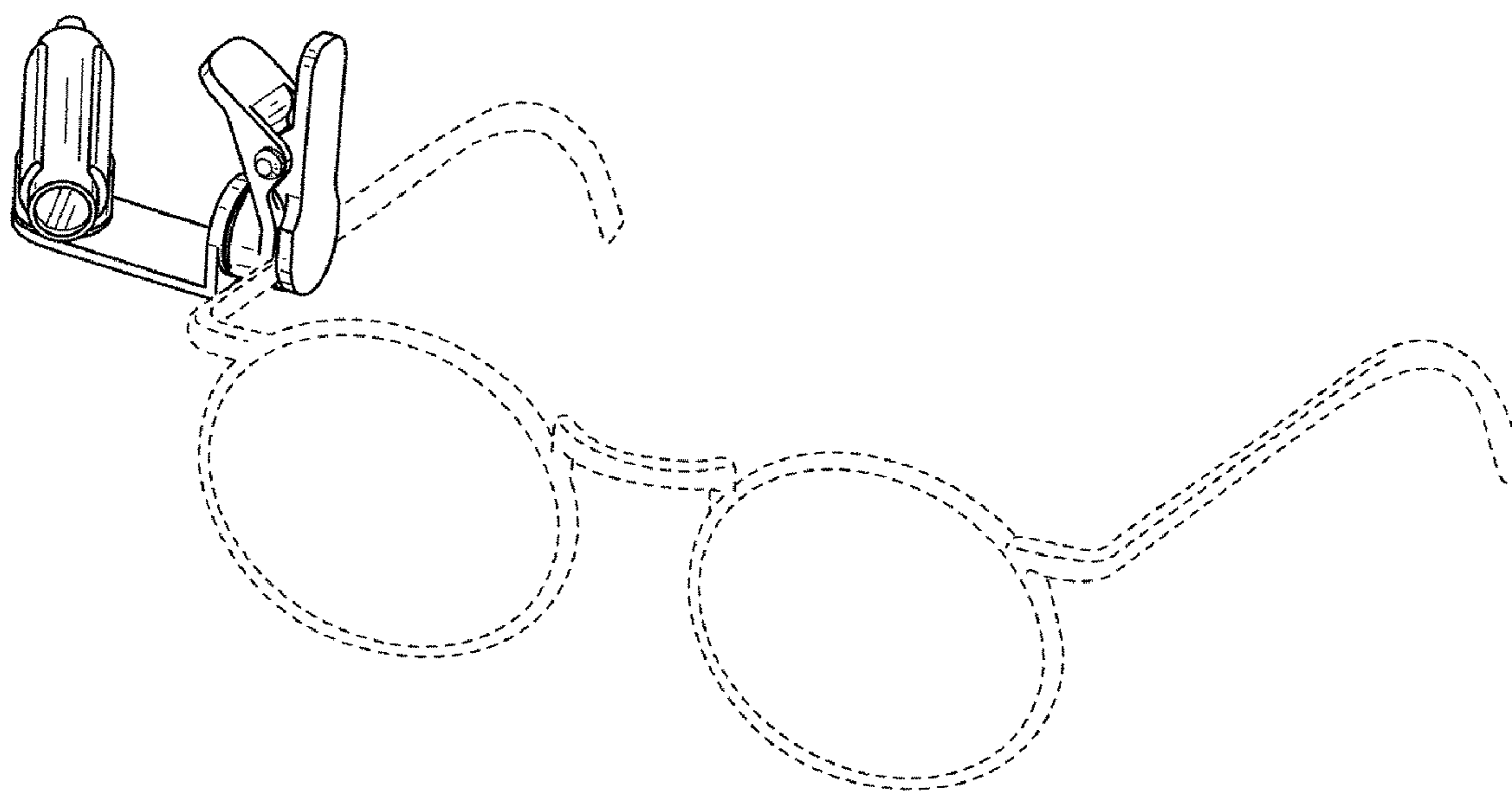


FIG. 6



**FIG. 7**





**FIG. 8**