



US00D602619S

(12) **United States Design Patent**
Kruger et al.

(10) **Patent No.:** **US D602,619 S**

(45) **Date of Patent:** **** Oct. 20, 2009**

(54) **VEHICLE HEADLAMP**

(75) Inventors: **Scott Kruger**, Macomb, MI (US);
Mark T. Allen, Oxford, MI (US); **Ralph V. Gilles**, Leonard, MI (US); **Timothy W. Anness**, Rochester Hills, MI (US)

(73) Assignee: **Chrysler Group LLC**, Auburn Hills, MI (US)

(**) Term: **14 Years**

(21) Appl. No.: **29/333,823**

(22) Filed: **Mar. 16, 2009**

Related U.S. Application Data

(63) Continuation-in-part of application No. 29/304,483, filed on Mar. 3, 2008, now Pat. No. Des. 588,501.

(51) **LOC (9) Cl.** **26-06**

(52) **U.S. Cl.** **D26/28**

(58) **Field of Classification Search** D26/28-36;
362/459-468, 475-478, 485-487
See application file for complete search history.

(56) **References Cited**

U.S. PATENT DOCUMENTS

D556,349 S * 11/2007 Golden et al. D26/28

D560,291 S * 1/2008 Koyama D26/28
D560,832 S * 1/2008 Hsu D26/28
D561,358 S * 2/2008 Tachibana D26/28
D563,576 S * 3/2008 Hanaoka D26/28

* cited by examiner

Primary Examiner—Marcus A. Jackson

(74) *Attorney, Agent, or Firm*—Ralph E. Smith

(57) **CLAIM**

The ornamental design for a vehicle headlamp, as shown and described.

DESCRIPTION

FIG. 1 is a front perspective view of a vehicle headlamp showing our new design;

FIG. 2 is a front view thereof;

FIG. 3 is a side (external facing) view thereof;

FIG. 4 is a back view thereof;

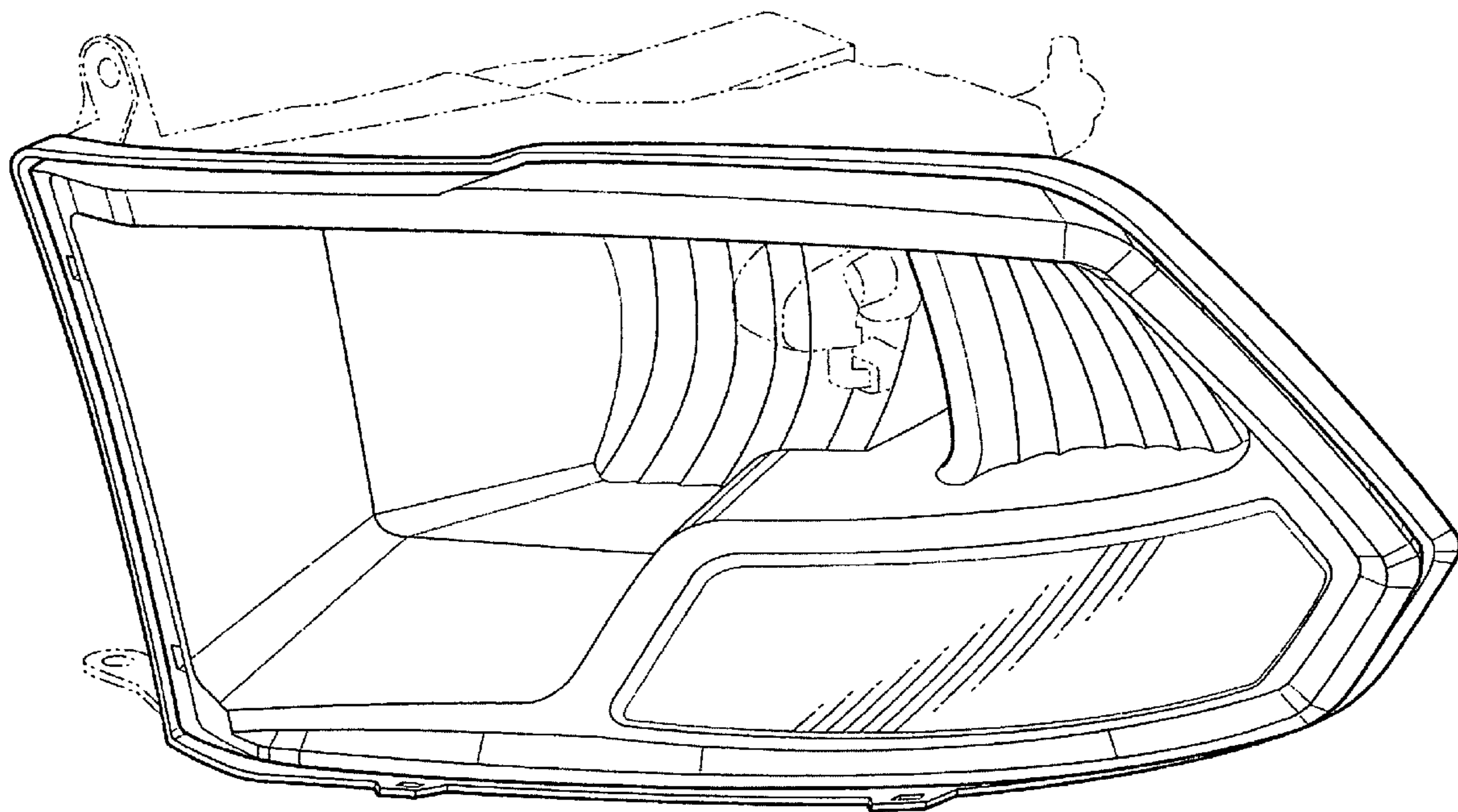
FIG. 5 is a side (internal facing) view thereof;

FIG. 6 is a top view thereof; and,

FIG. 7 is a bottom view thereof.

It will be understood that the broken lines presented in the drawings are for illustration only, and do not form a part of the claimed design.

1 Claim, 6 Drawing Sheets



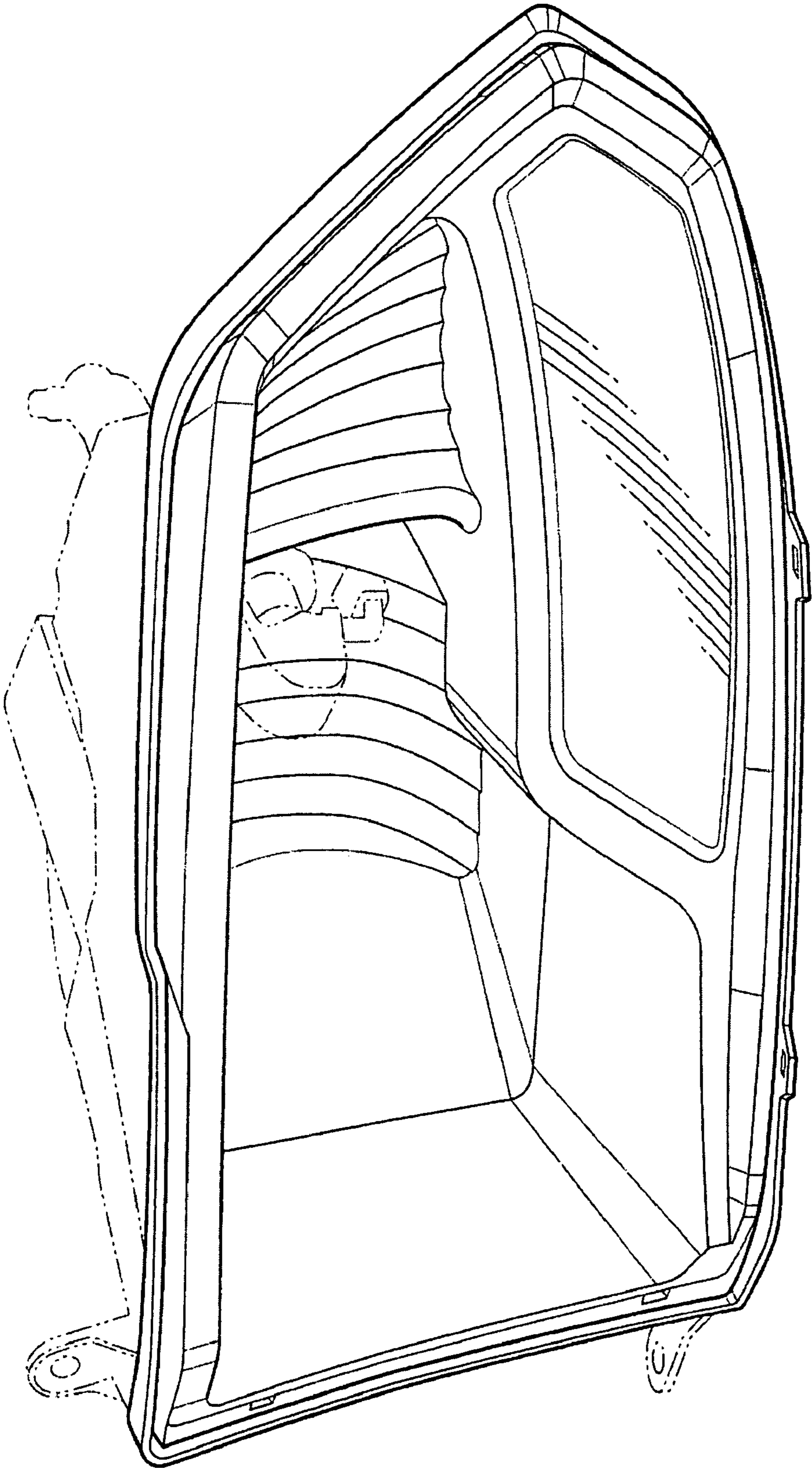


FIG. 1

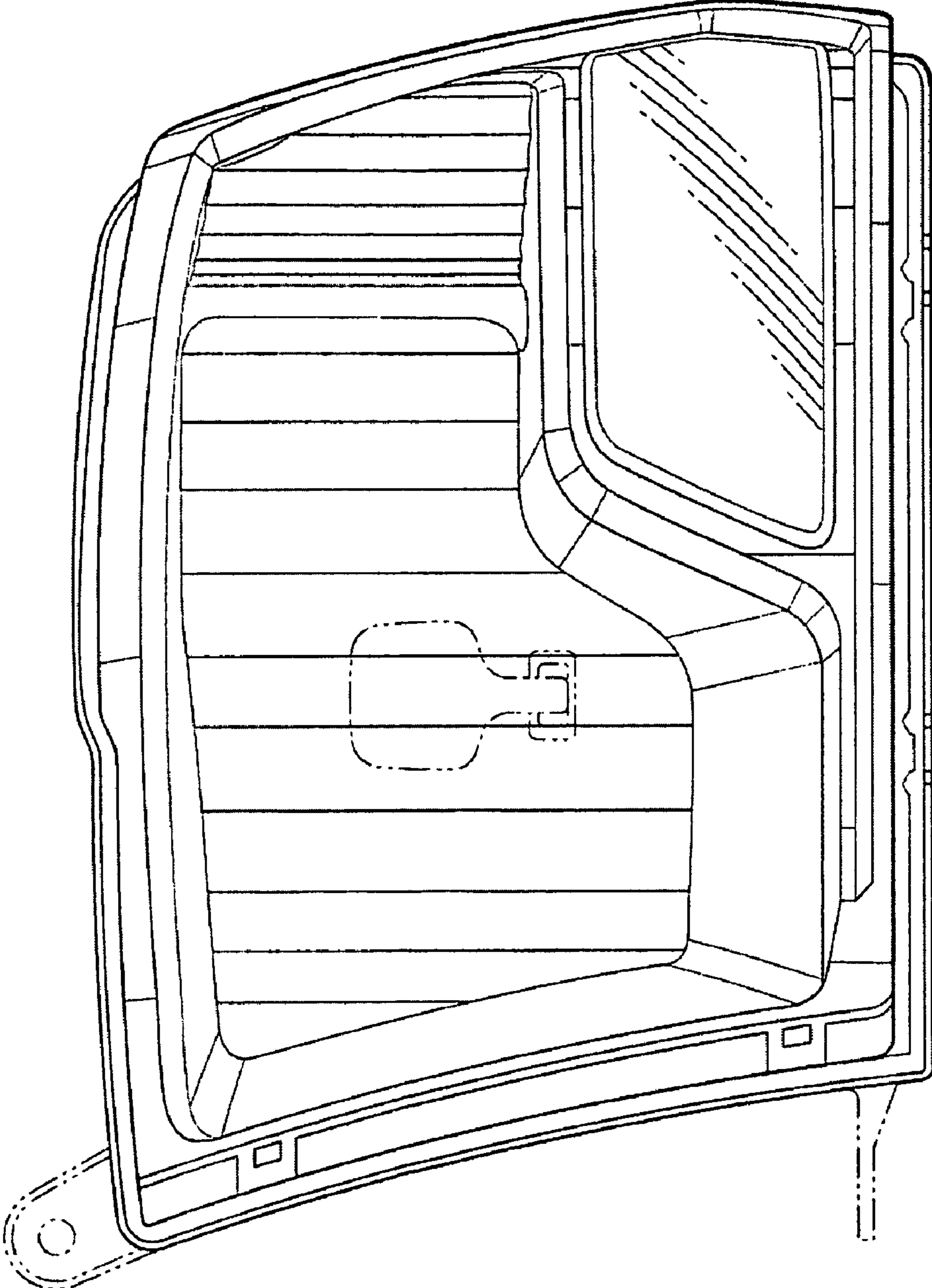


FIG. 2

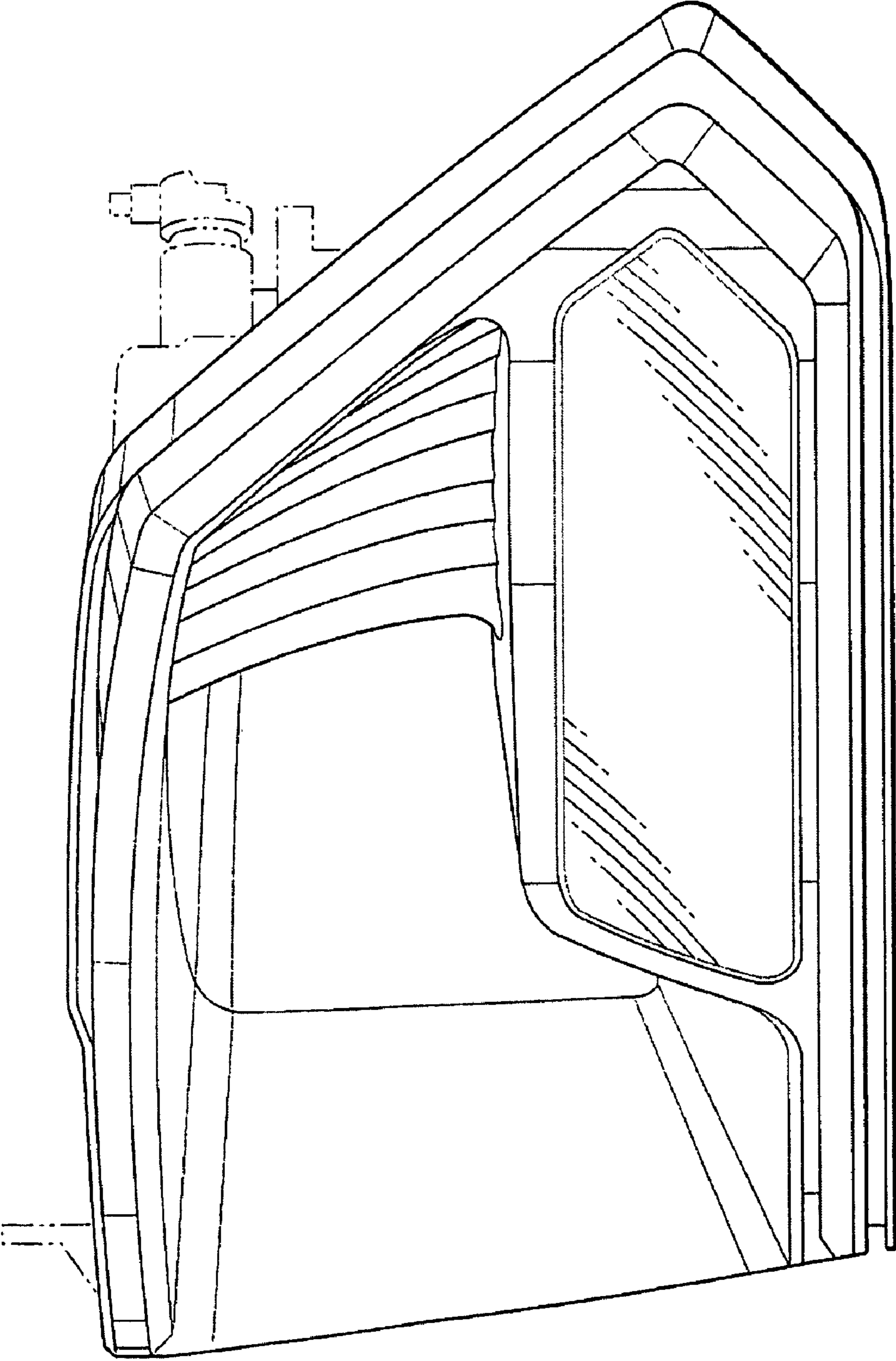


FIG. 3

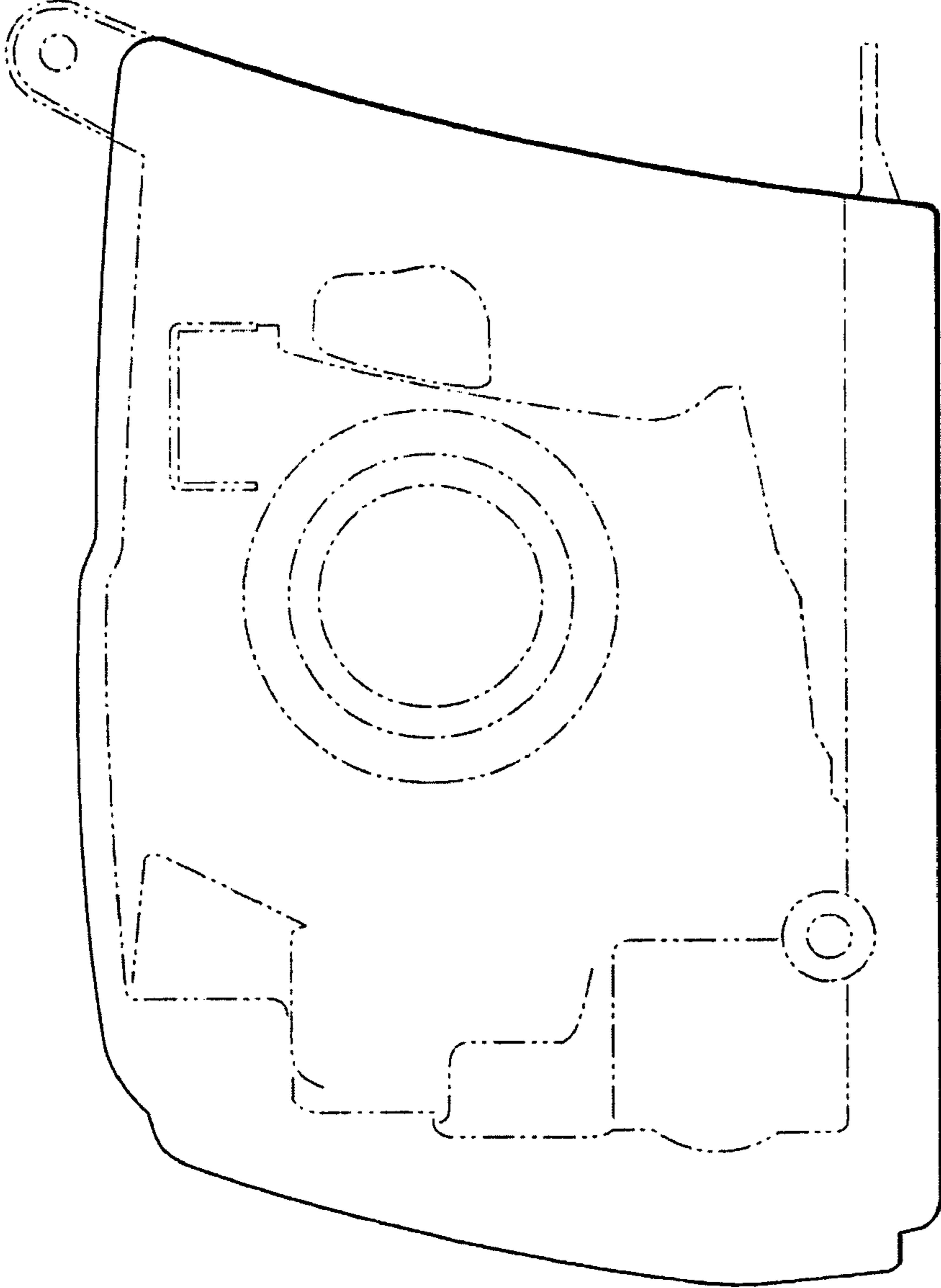


FIG. 4

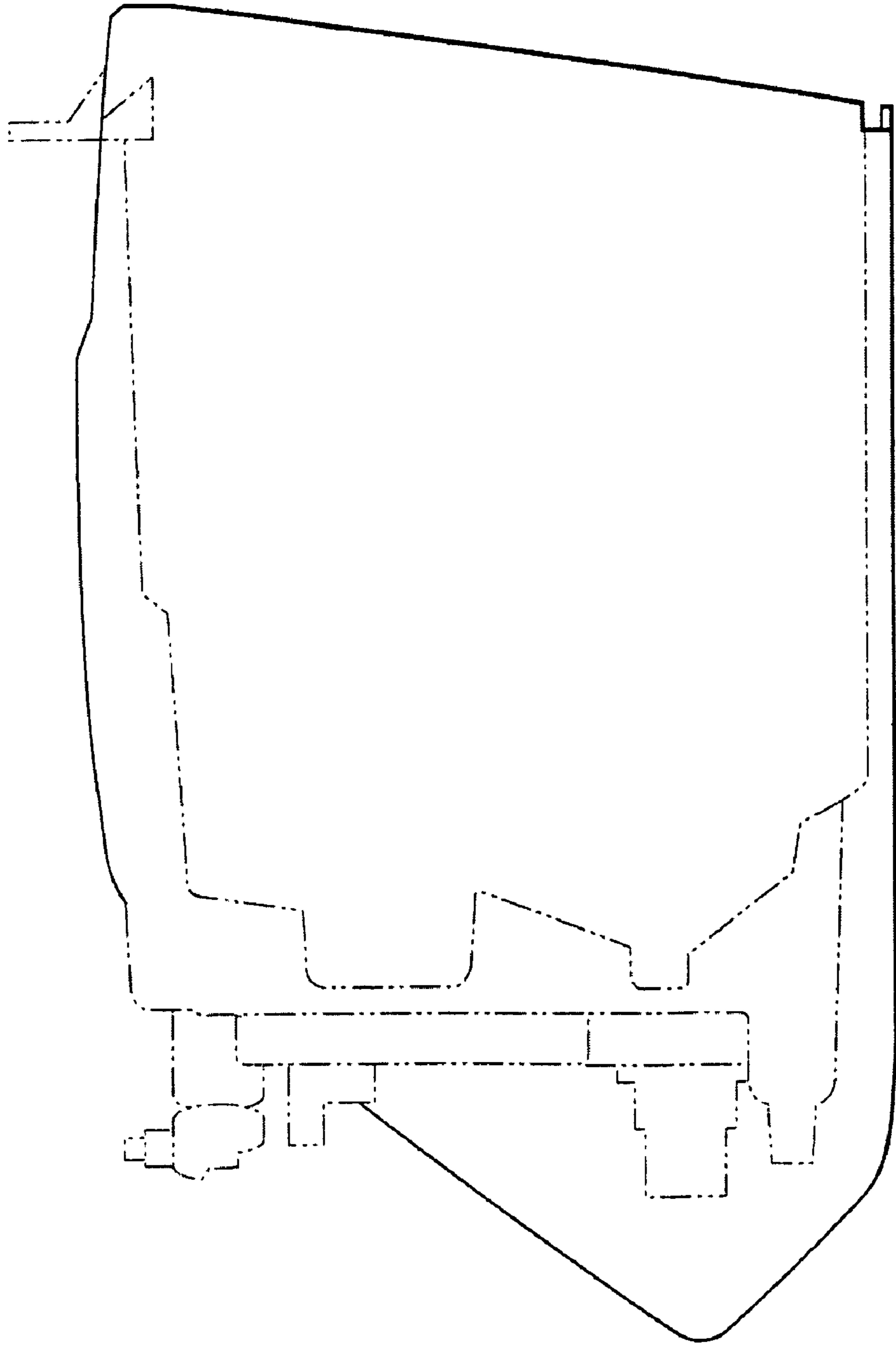


FIG. 5

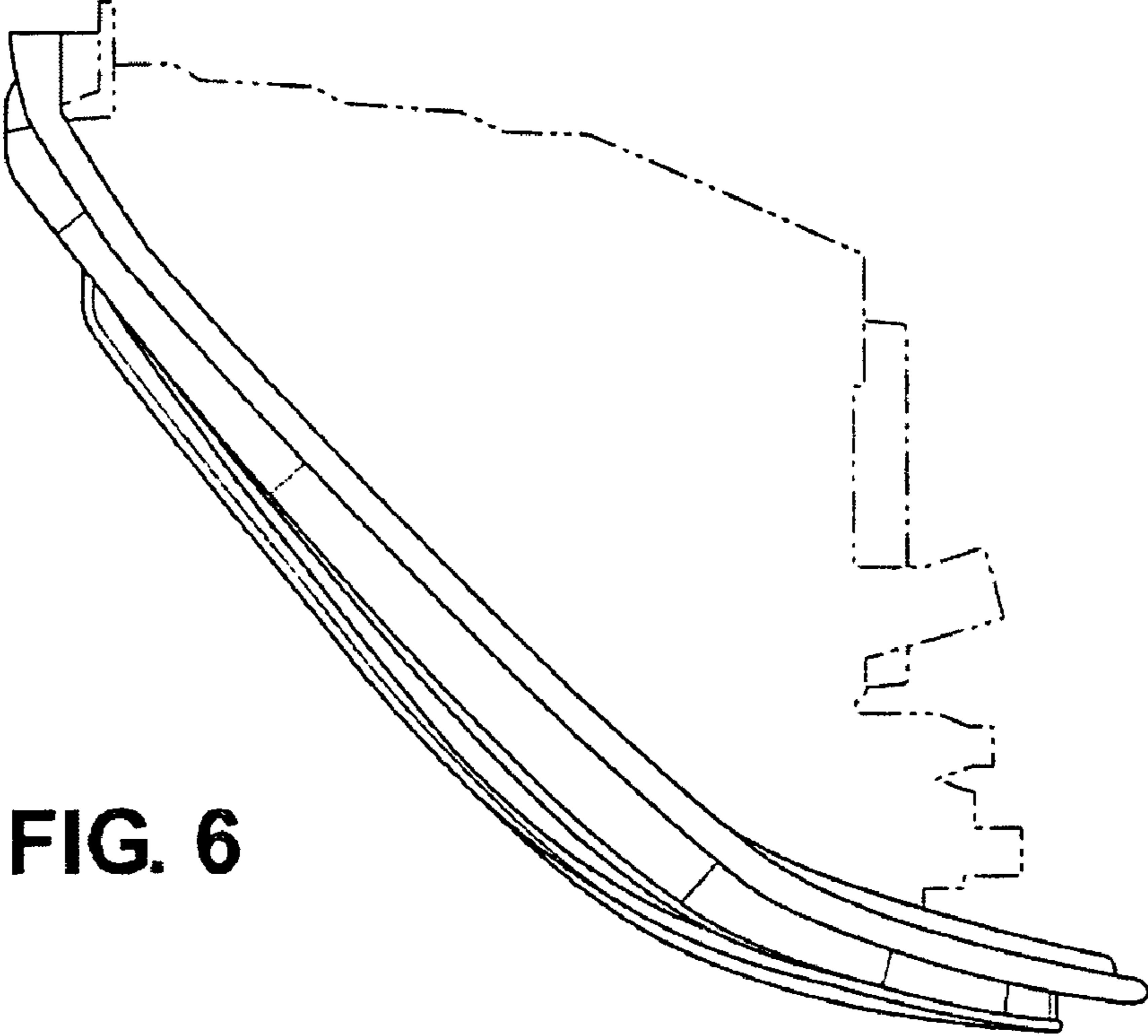


FIG. 6

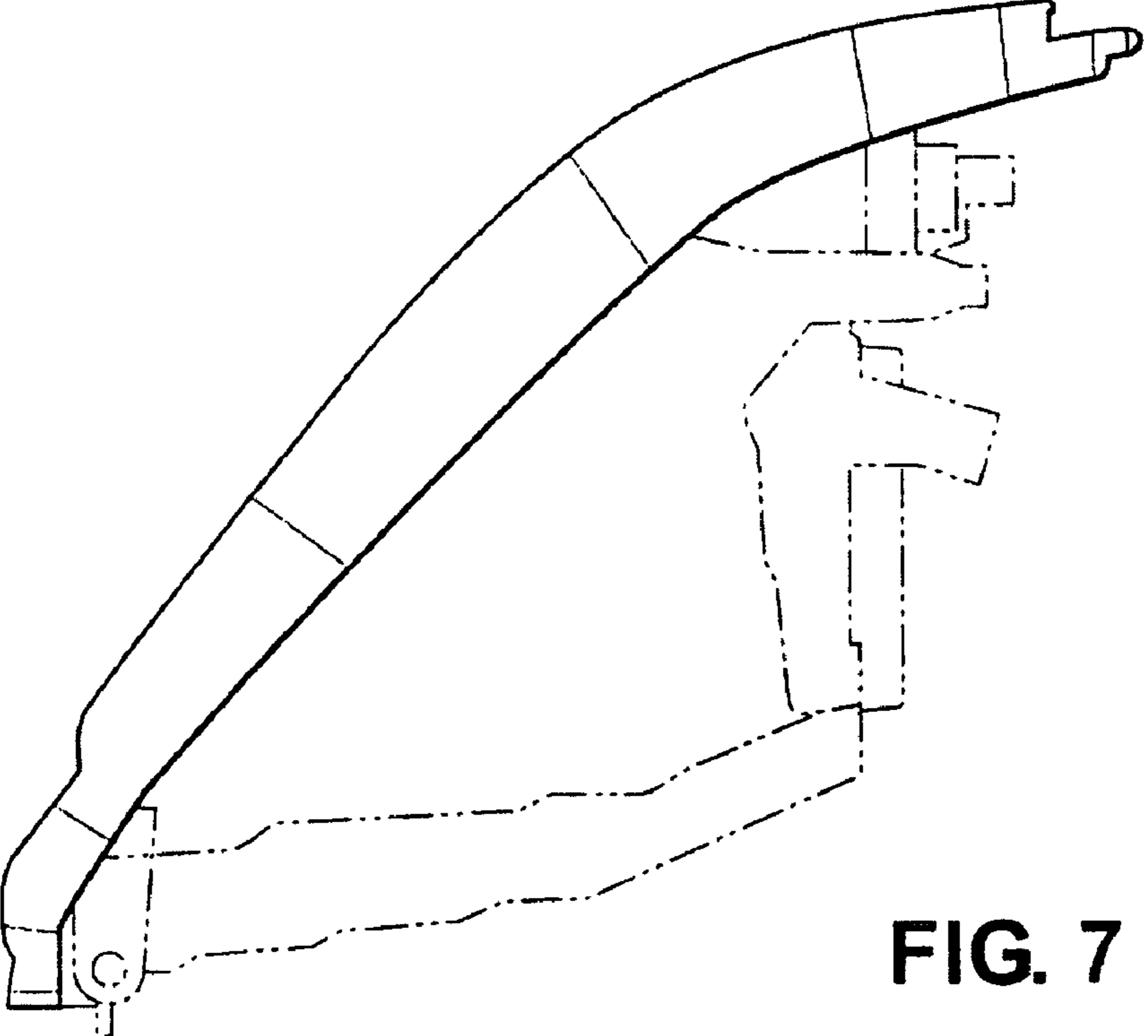


FIG. 7