



US00D602618S

(12) **United States Design Patent**
Kruger et al.

(10) **Patent No.:** **US D602,618 S**

(45) **Date of Patent:** **** Oct. 20, 2009**

(54) **VEHICLE TAIL LAMP**

(75) Inventors: **Scott Krugger**, Macomb, MI (US);
Mark T Allen, Oxford, MI (US); **Ralph V. Gilles**, Leonard, MI (US); **Timothy W. Anness**, Rochester Hills, MI (US)

(73) Assignee: **Chrysler Group LLC**, Auburn Hills, MI (US)

(**) Term: **14 Years**

(21) Appl. No.: **29/333,813**

(22) Filed: **Mar. 16, 2009**

Related U.S. Application Data

(63) Continuation-in-part of application No. 29/304,483, filed on Mar. 3, 2008, now Pat. No. Des. 588,501.

(51) **LOC (9) Cl.** **26-06**

(52) **U.S. Cl.** **D26/28**

(58) **Field of Classification Search** D26/28-36;
362/459-468, 475-478, 485-487
See application file for complete search history.

(56) **References Cited**

U.S. PATENT DOCUMENTS

D549,363 S * 8/2007 Pfeiffer D26/28
D552,769 S * 10/2007 Leclercq D26/28

D560,292 S * 1/2008 Sato D26/28
D561,357 S * 2/2008 Leclercq et al. D26/28
D570,015 S * 5/2008 Hsu D26/28
D574,524 S * 8/2008 Tomatsu D26/28

* cited by examiner

Primary Examiner—Marcus A. Jackson

(74) *Attorney, Agent, or Firm*—Ralph E. Smith

(57) **CLAIM**

The ornamental design for a vehicle tail lamp, as shown and described.

DESCRIPTION

FIG. 1 is a side perspective view of a vehicle tail lamp showing our new design;

FIG. 2 is a side (external facing) view thereof;

FIG. 3 is a front (internal facing) view thereof;

FIG. 4 is a side (internal facing) view thereof;

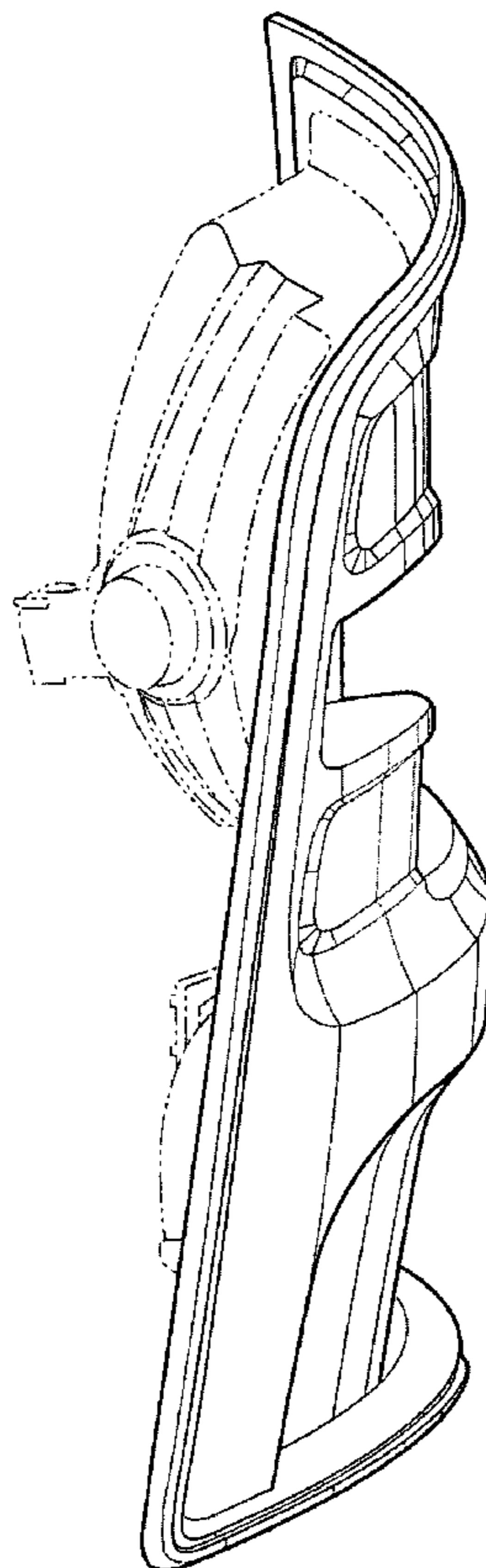
FIG. 5 is a back (internal facing) view thereof;

FIG. 6 is a top view thereof; and,

FIG. 7 is a bottom view thereof.

It will be understood that the broken lines presented in the drawings are for illustration only, and do not form a part of the claimed design.

1 Claim, 6 Drawing Sheets



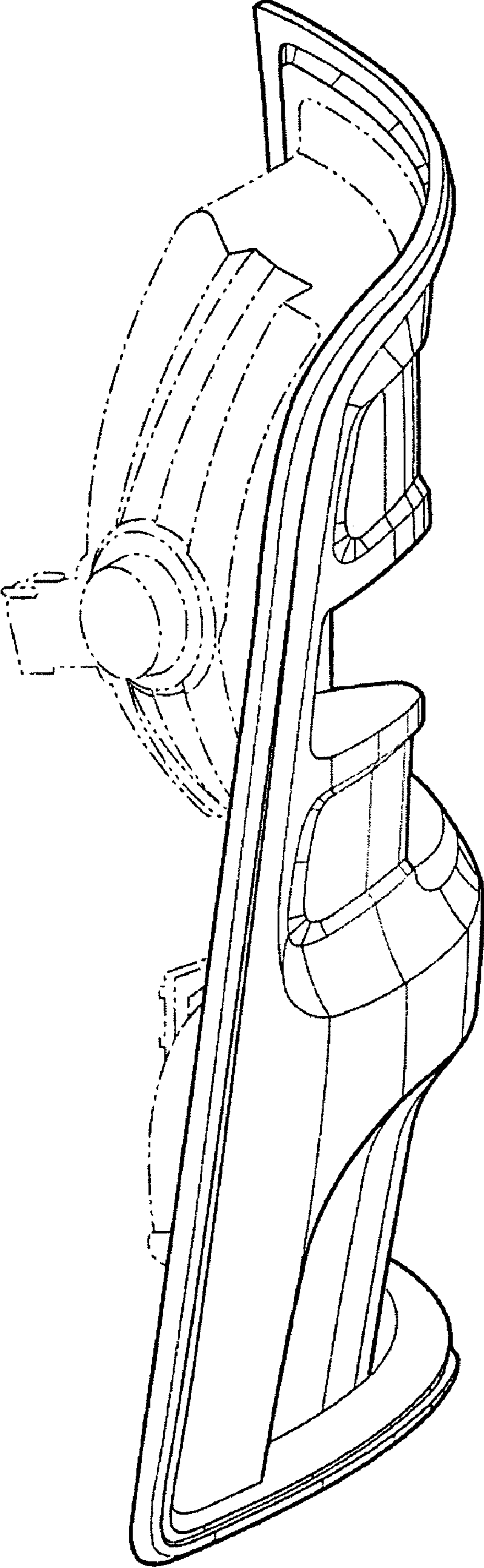


FIG. 1

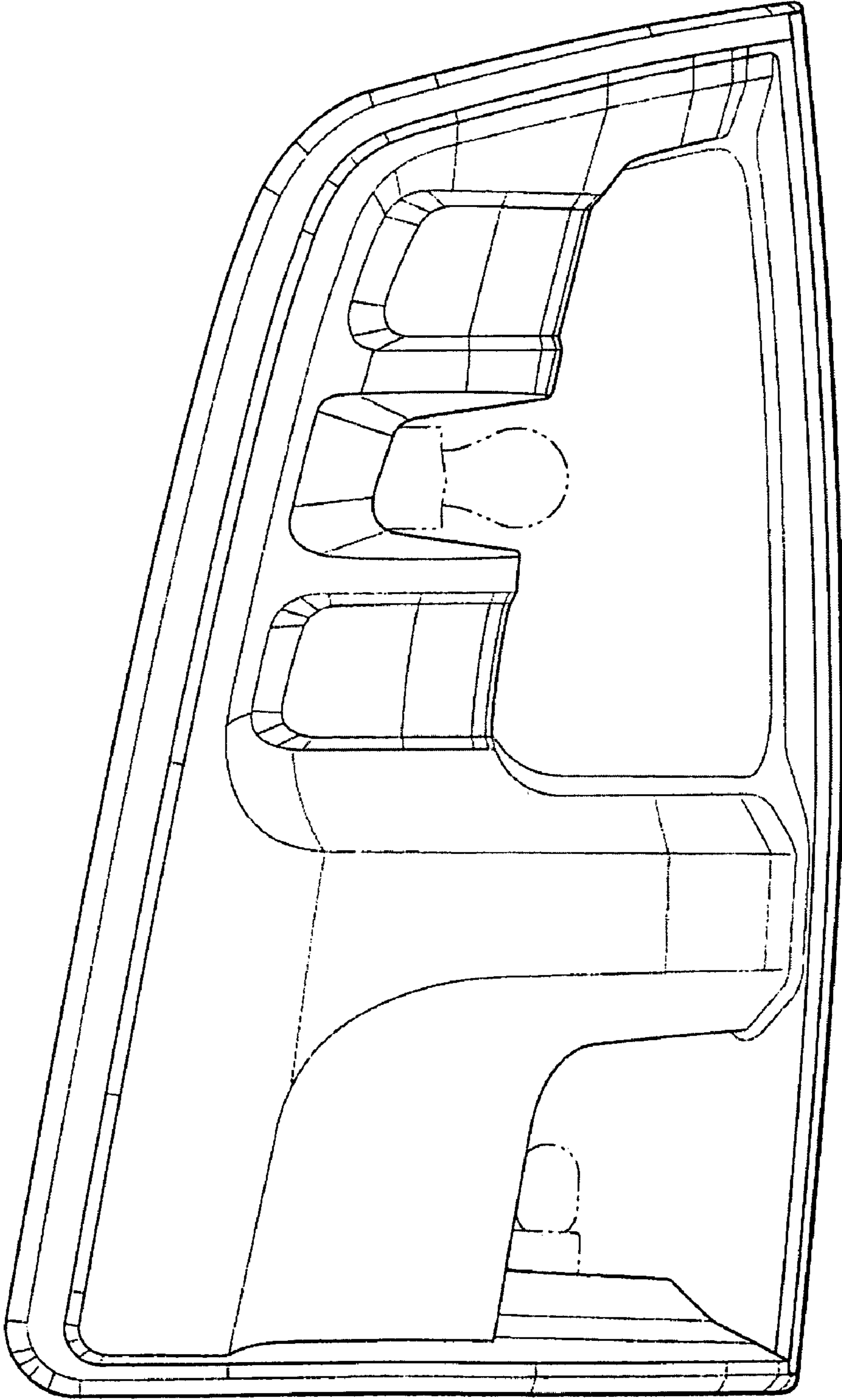


FIG. 2

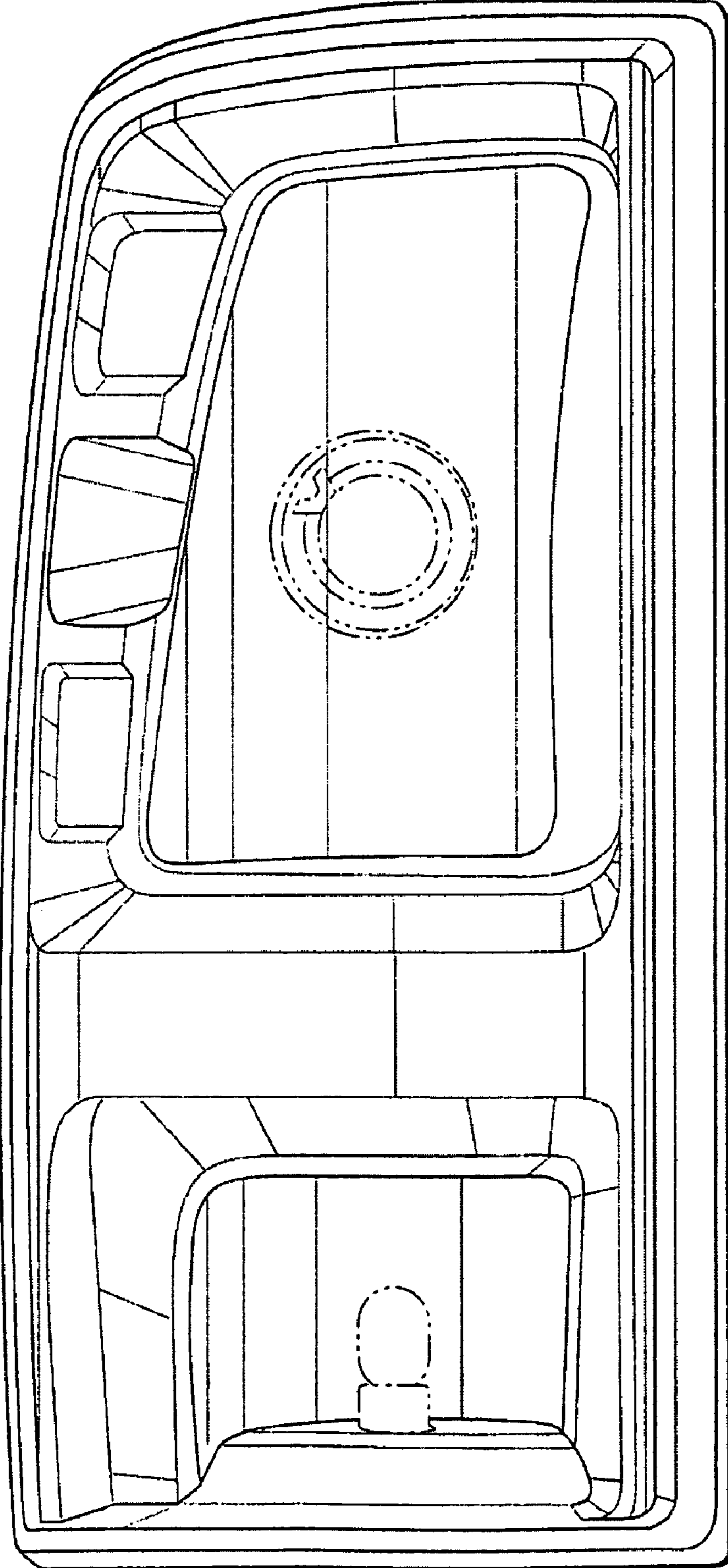


FIG. 3

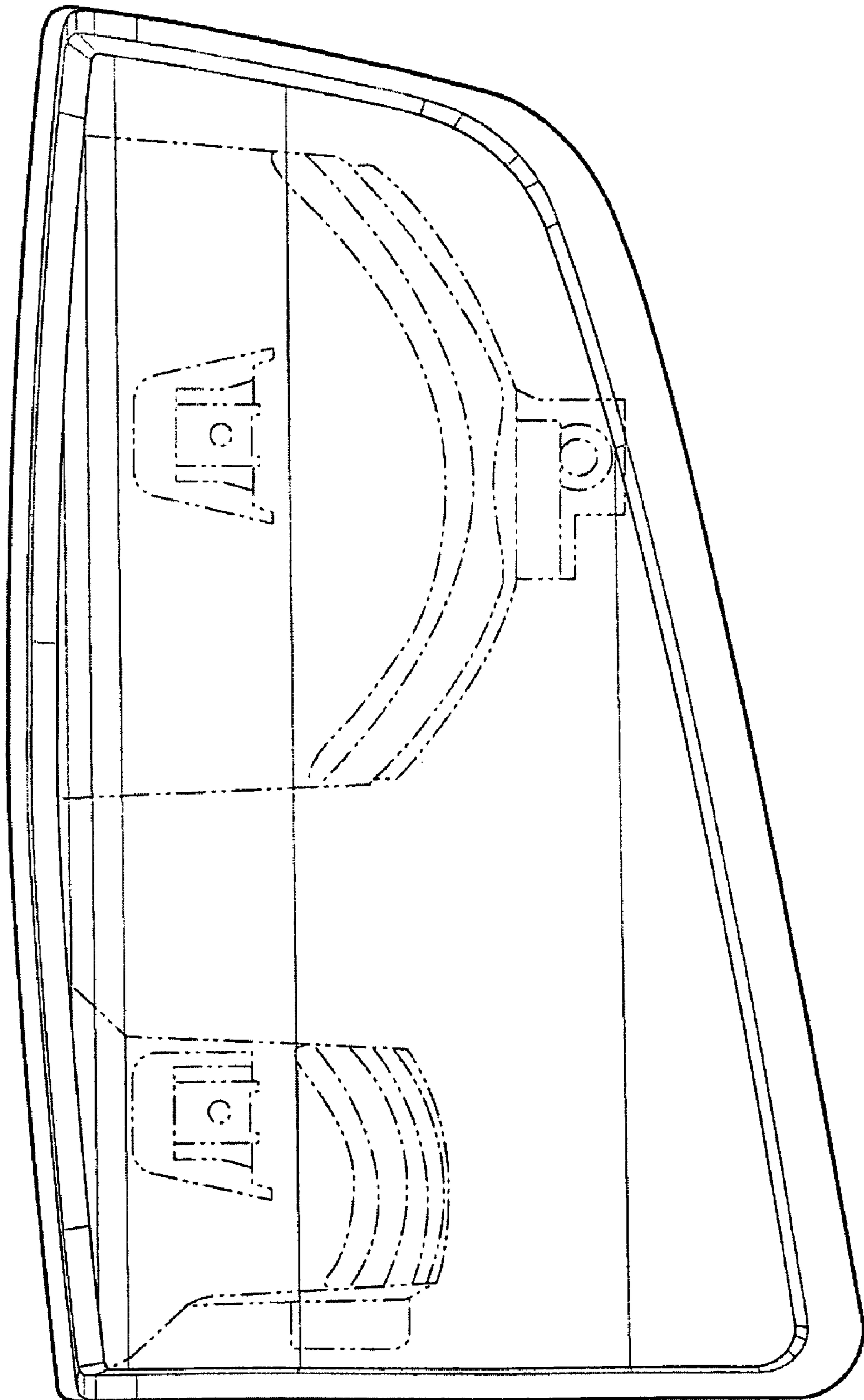


FIG. 4

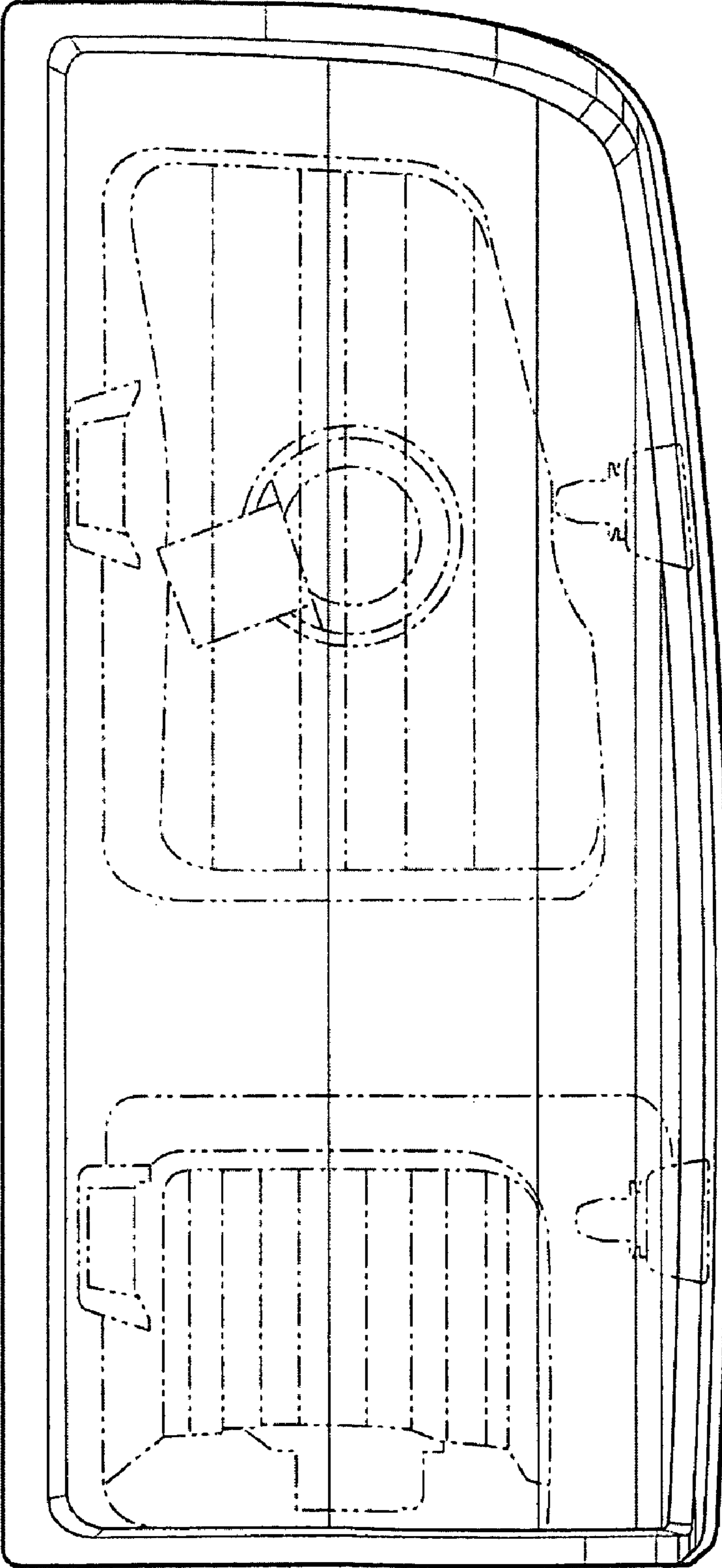


FIG. 5

FIG. 6

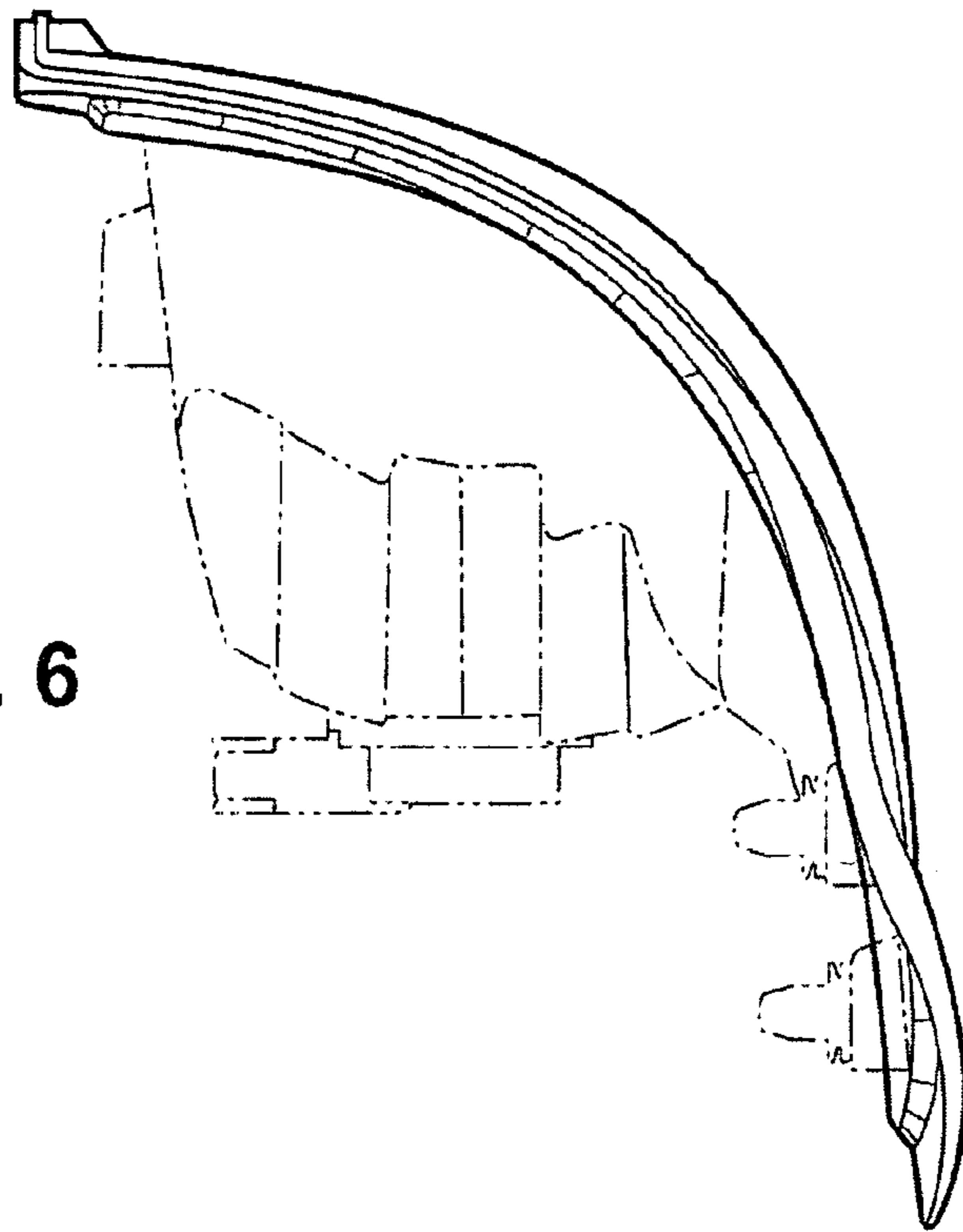


FIG. 7

