



US00D602617S

(12) **United States Design Patent**  
**Kogo et al.**

(10) **Patent No.:** **US D602,617 S**  
(45) **Date of Patent:** **\*\* Oct. 20, 2009**

(54) **HEADLIGHT CASE FOR A MOTORCYCLE**

D569,015 S \* 5/2008 Tsukui et al. .... D26/28  
D573,734 S \* 7/2008 Watanabe et al. .... D26/28  
D580,569 S \* 11/2008 Ohashi et al. .... D26/28

(75) Inventors: **Satoshi Kogo**, Wako (JP); **Hayato Ohashi**, Wako (JP); **Mike Chan**, Torrance, CA (US)

\* cited by examiner

(73) Assignee: **Honda Motor Co., Ltd.**, Tokyo (JP)

*Primary Examiner*—Marcus A. Jackson  
(74) *Attorney, Agent, or Firm*—Birch, Stewart, Kolasch & Birch, LLP

(\*\*) Term: **14 Years**

(57) **CLAIM**

(21) Appl. No.: **29/332,631**

The ornamental design for, a headlight case for a motorcycle, as shown and described.

(22) Filed: **Feb. 20, 2009**

(30) **Foreign Application Priority Data**

**DESCRIPTION**

Aug. 21, 2008 (JP) ..... 2008-021390

FIG. 1 is a perspective view of a headlight case for a motorcycle, showing our new design;

(51) **LOC (9) Cl.** ..... **26-06**

FIG. 2 is a front elevation view thereof;

(52) **U.S. Cl.** ..... **D26/28**

FIG. 3 is a top plan view thereof;

(58) **Field of Classification Search** ..... D26/28-36;  
362/459-468, 475-478, 485-487

FIG. 4 is a bottom plan view thereof;

See application file for complete search history.

FIG. 5 is a right side elevation view thereof; and,

FIG. 6 is a left side elevation view thereof.

The broken lines are for illustrative purposes only and form no part of the claimed design.

(56) **References Cited**

**U.S. PATENT DOCUMENTS**

D552,274 S \* 10/2007 Tanaka et al. .... D26/28  
D568,501 S \* 5/2008 Nakazawa et al. .... D26/28

**1 Claim, 4 Drawing Sheets**

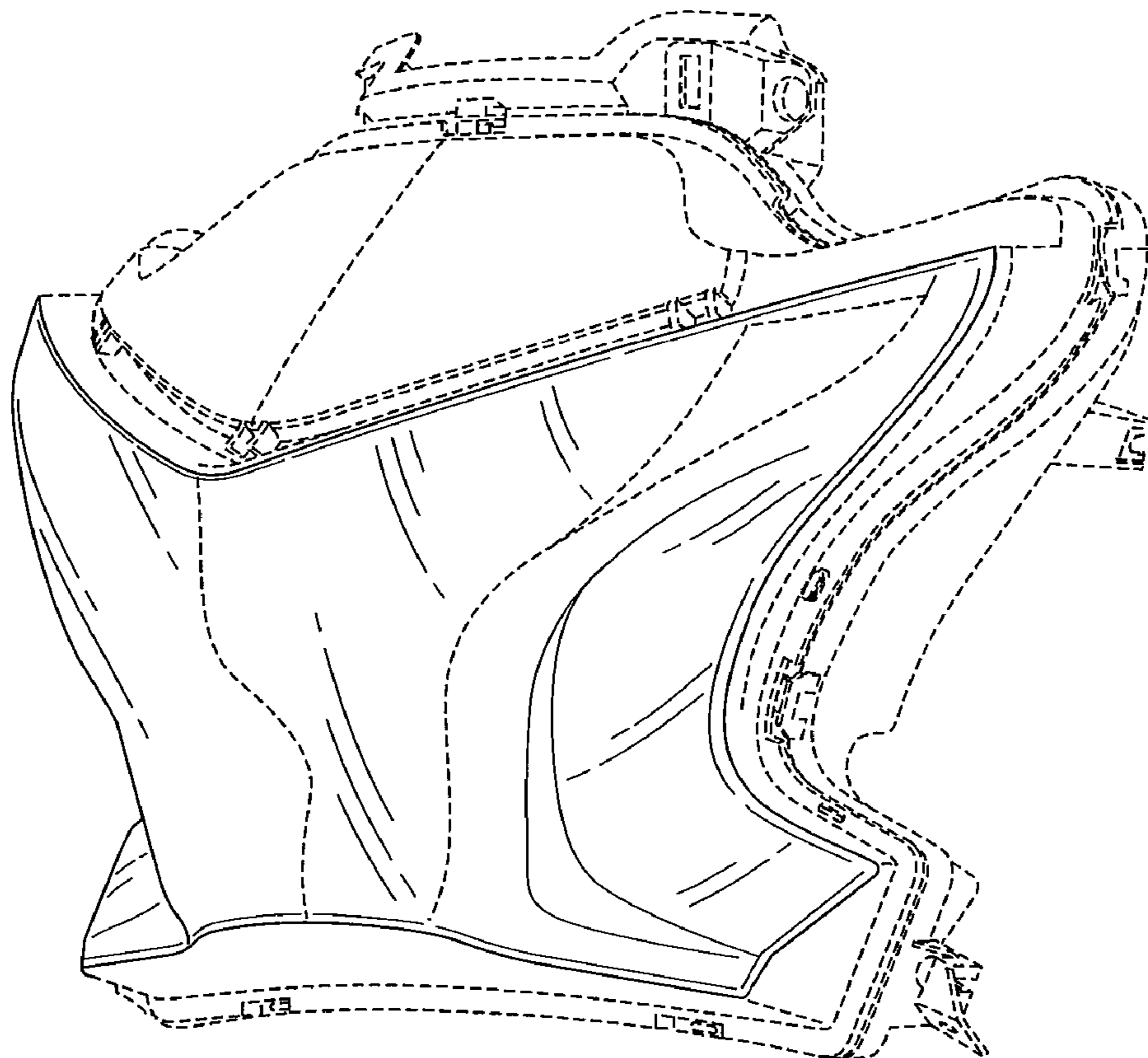


FIG. 1

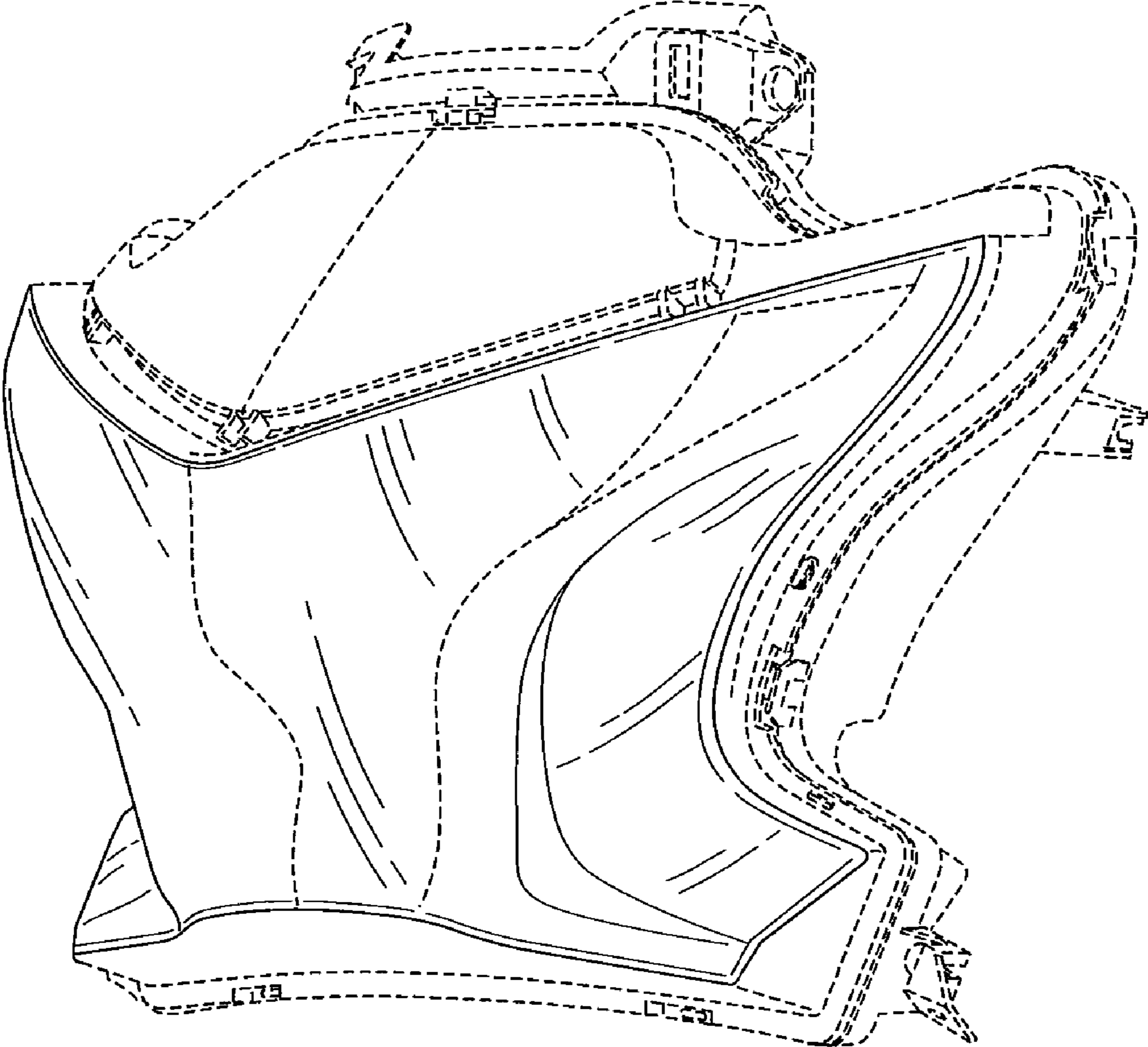


FIG. 2

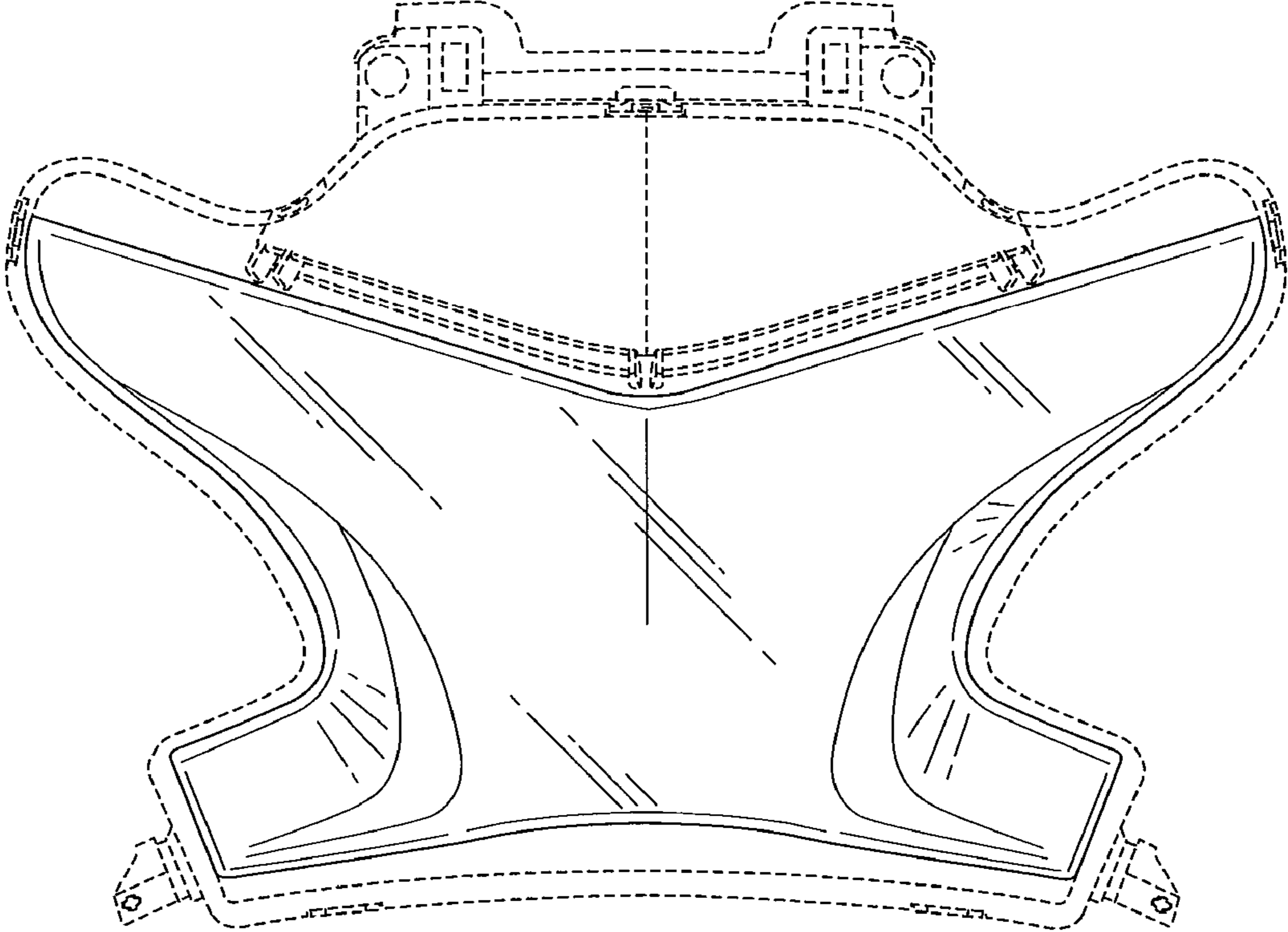


FIG. 3

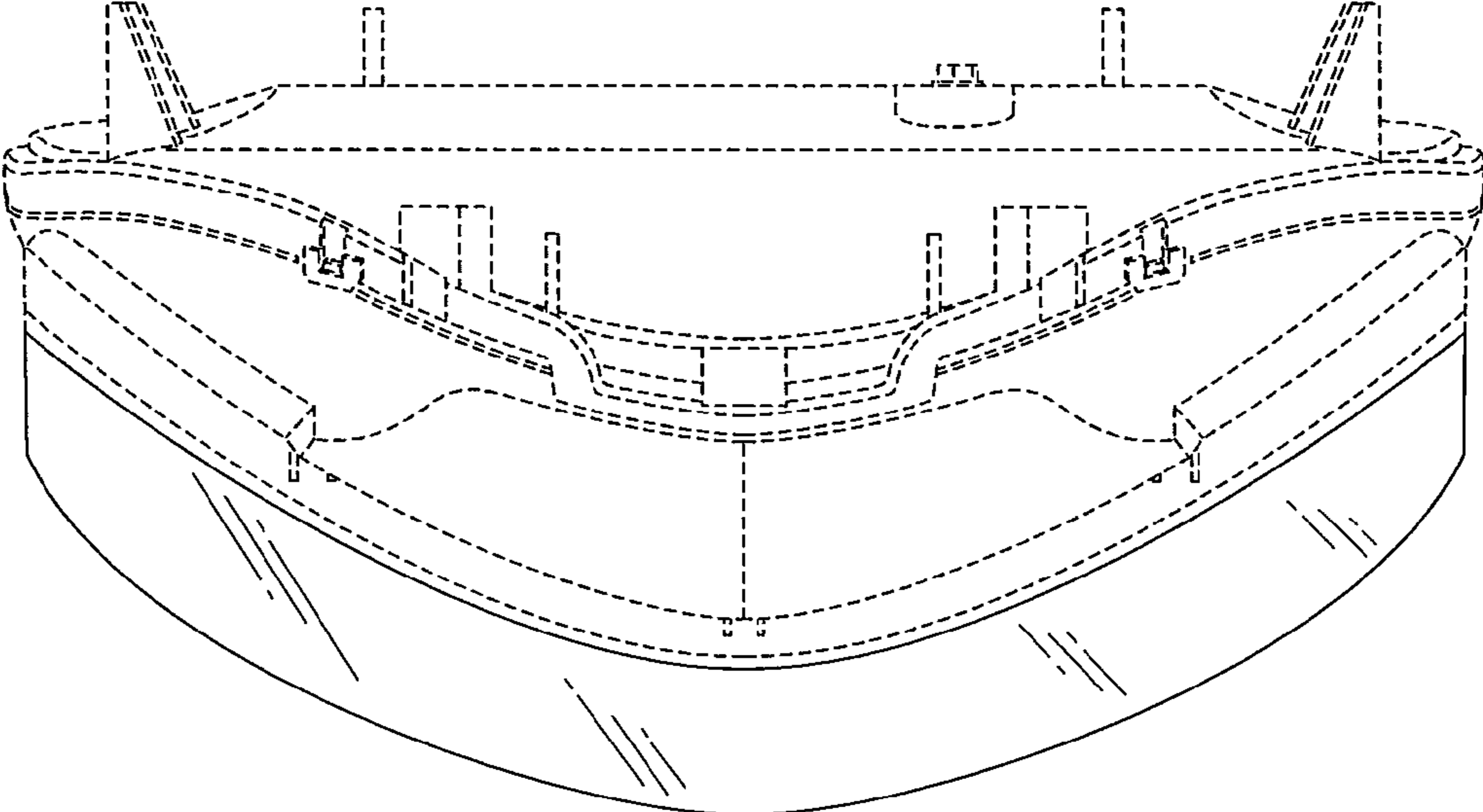


FIG. 4

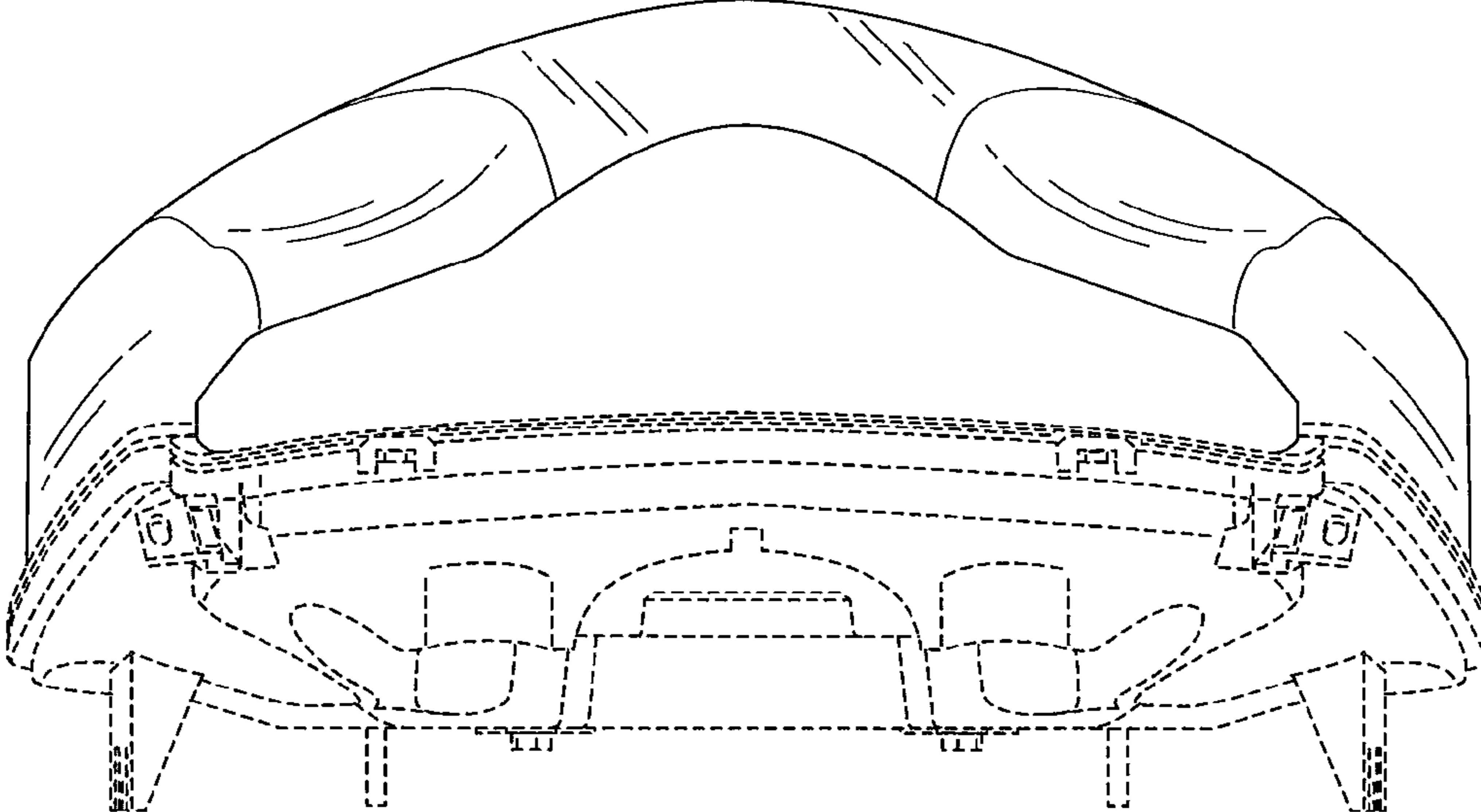


FIG. 5

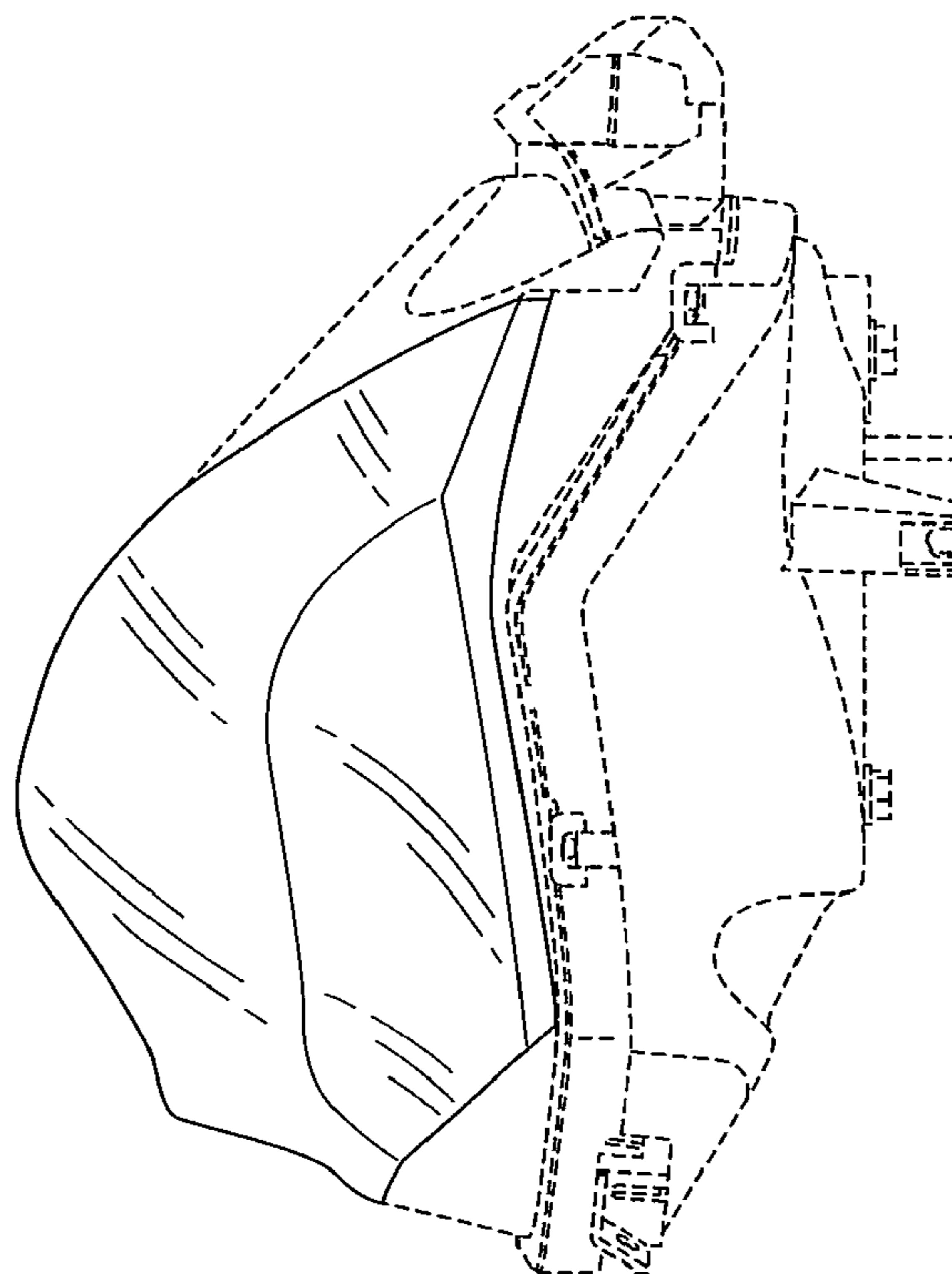


FIG. 6

