



US00D602616S

(12) **United States Design Patent**  
**Okamura et al.**

(10) **Patent No.:** **US D602,616 S**  
(45) **Date of Patent:** **\*\* Oct. 20, 2009**

(54) **REAR COMBINATION LAMP FOR AN AUTOMOBILE**

(75) Inventors: **Kenichi Okamura**, Nagoya (JP); **Hiroshi Fujimoto**, Toyota (JP); **Tatsuo Takazawa**, Toyota (JP)

(73) Assignee: **Toyota Jidosha Kabushiki Kaisha**, Toyota (JP)

(\*\*) Term: **14 Years**

(21) Appl. No.: **29/325,387**

(22) Filed: **Sep. 30, 2008**

(30) **Foreign Application Priority Data**

Jun. 27, 2008 (JP) ..... 2008-016653

(51) **LOC (9) Cl.** ..... **26-06**

(52) **U.S. Cl.** ..... **D26/28**

(58) **Field of Classification Search** ..... D26/28-36;  
362/459-468, 475-478, 485-487  
See application file for complete search history.

(56) **References Cited**

**U.S. PATENT DOCUMENTS**

D550,380 S *	9/2007	Lin	.....	D26/28
D560,292 S *	1/2008	Sato	.....	D26/28
D561,357 S *	2/2008	Leclercq	.....	D26/28
D565,211 S *	3/2008	Haller et al.	.....	D26/28
D570,015 S *	5/2008	Hsu	.....	D26/28
D574,524 S *	8/2008	Tomatsu	.....	D26/28

**OTHER PUBLICATIONS**

Photographs of Lexus IS, appeared on website <http://www.lexus.jp/models/is/> by Toyota Jidosha Kabushiki Kaisha, Oct. 12, 2007.

Photographs of Mazda CX9, appeared on website <http://www.mazda.com> by Mazda North American Operations, Oct. 12, 2007.

Photographs of Lexus GS, appeared on website <http://www.lexus.jp/models/g/> by Toyota Jidosha Kabushiki Kaisha, Oct. 12, 2007.

\* cited by examiner

*Primary Examiner*—Marcus A. Jackson

(74) *Attorney, Agent, or Firm*—Finnegan, Henderson, Farabow, Garrett & Dunner, LLP

(57) **CLAIM**

The ornamental design for a rear combination lamp for an automobile, as shown and described.

**DESCRIPTION**

FIG. 1 is a perspective view of a rear combination lamp for an automobile of our new design;

FIG. 2 is a front view thereof;

FIG. 3 is a rear view thereof;

FIG. 4 is a top plan view thereof;

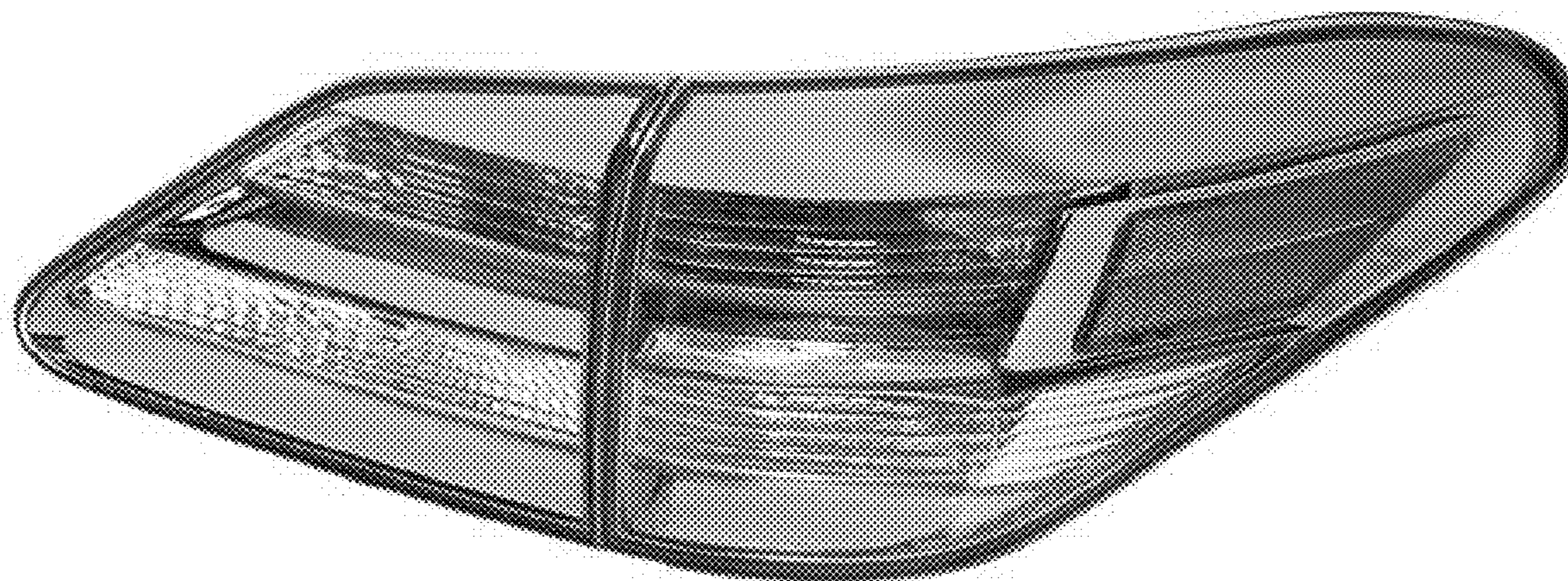
FIG. 5 is a bottom plan view thereof;

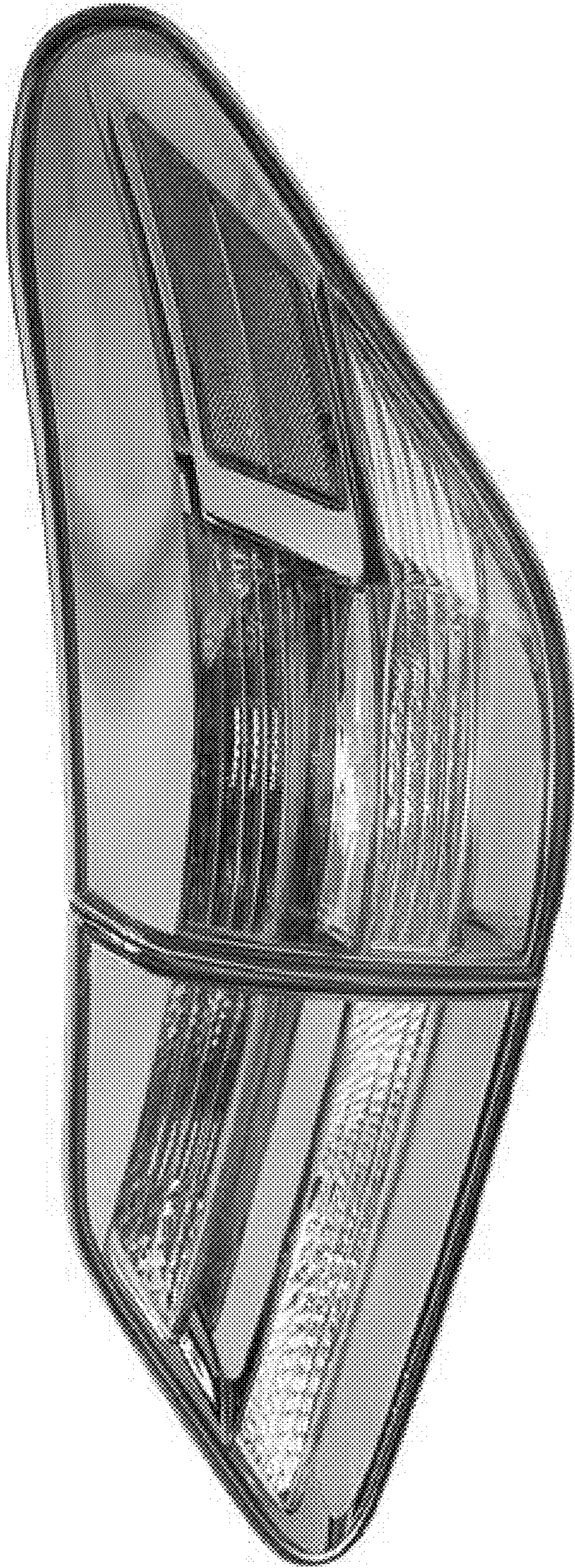
FIG. 6 is a right-side view thereof; and,

FIG. 7 is a left-side view thereof.

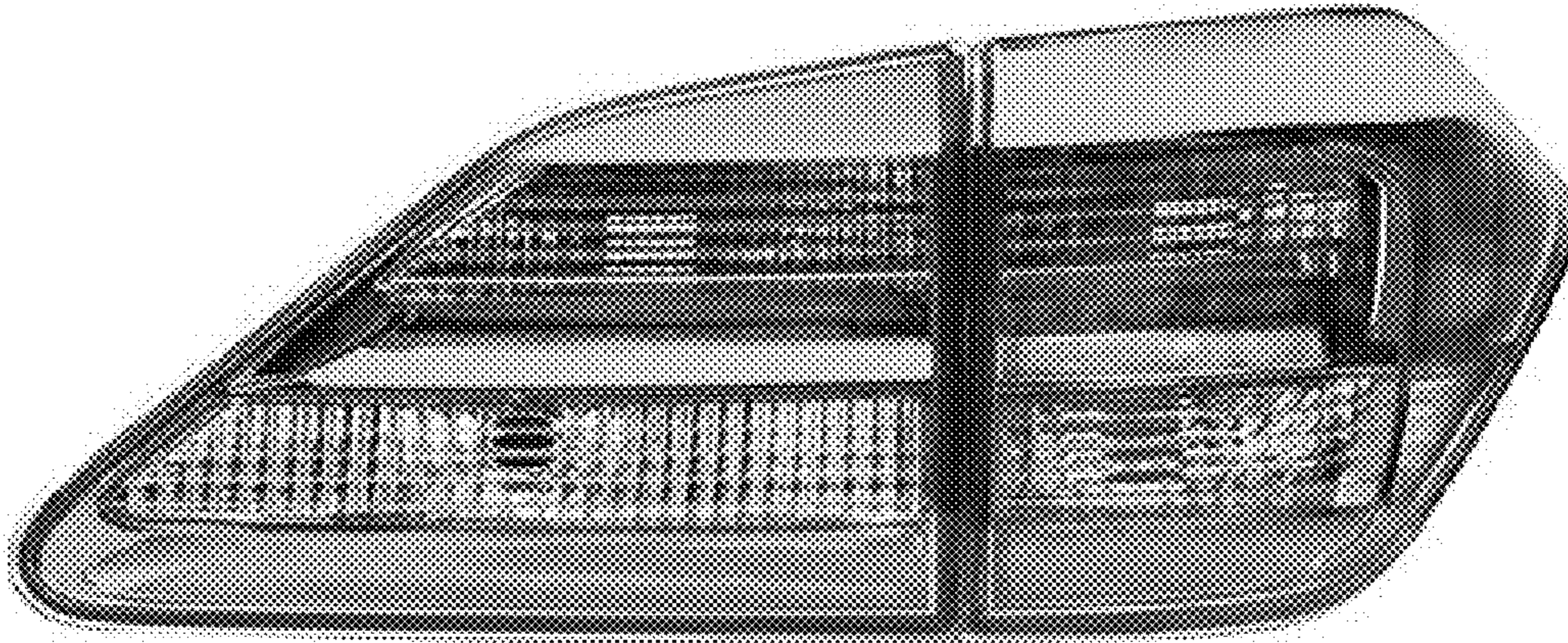
Our design includes the mirror image of the embodiment depicted. In a second embodiment, the rear view of FIG. 3 forms no part of the claimed invention.

**1 Claim, 4 Drawing Sheets**

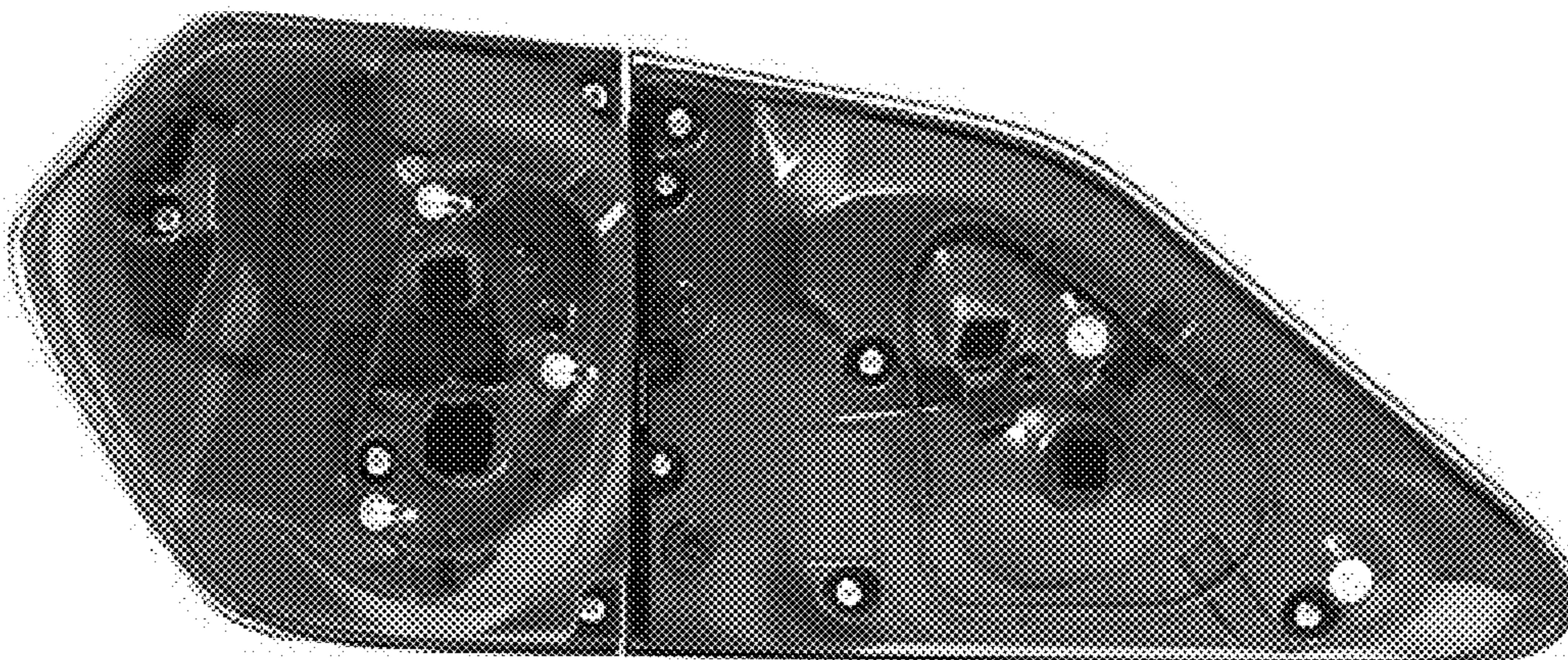




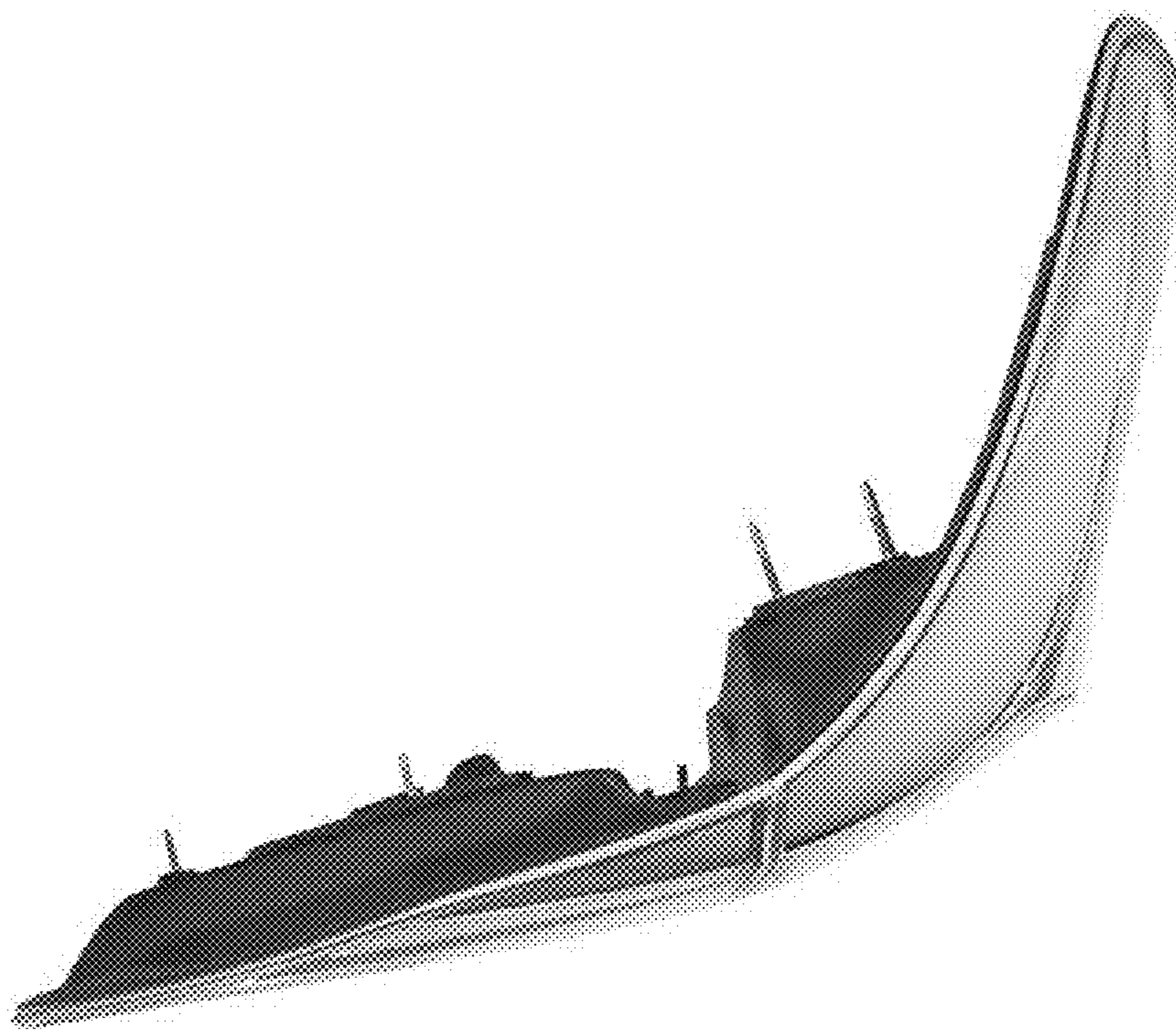
**FIG. 1**



**FIG. 2**



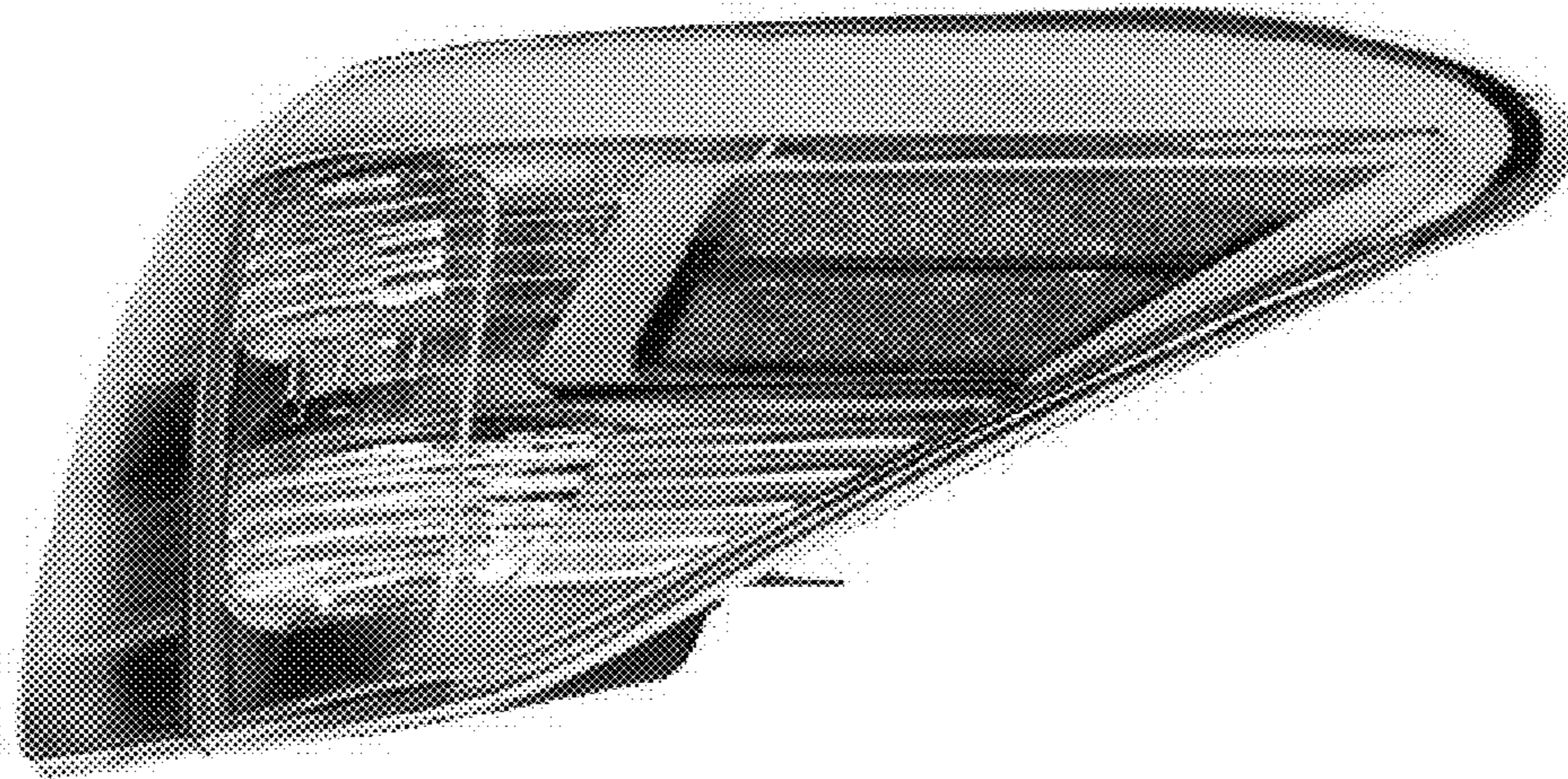
**FIG. 3**



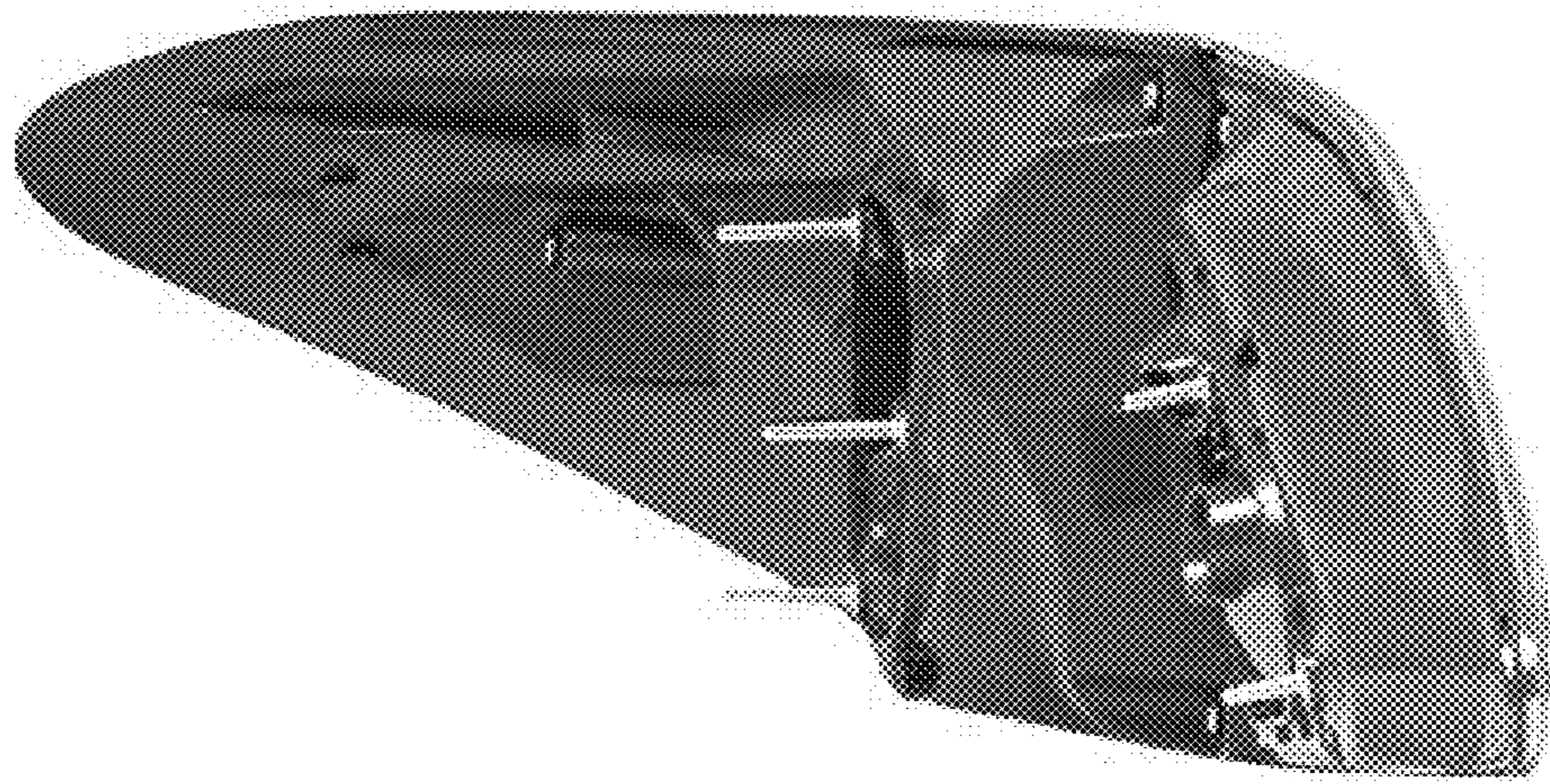
**FIG. 4**



**FIG. 5**



**FIG. 6**



**FIG. 7**