

US00D602615S

(12) **United States Design Patent**
Liu

(10) **Patent No.:** **US D602,615 S**
(45) **Date of Patent:** **** Oct. 20, 2009**

(54) **COMBINED PORTABLE NIGHTLIGHT AND CHARGER**

(76) Inventor: **Yi-Chuan Liu**, 14F, No. 14, Lane 110, Zhongping Road, Xinzhuang, Taipei (TW)

(**) Term: **14 Years**

(21) Appl. No.: **29/325,344**

(22) Filed: **Sep. 29, 2008**

(51) **LOC (9) Cl.** **26-05**

(52) **U.S. Cl.** **D26/26; D26/37; D13/108**

(58) **Field of Classification Search** D26/24, D26/26, 37, 38, 39, 40, 44, 47, 49, 51, 52, D26/57, 60, 61, 63, 67, 72, 73, 88, 95, 113, D26/118, 125, 156, 85, 89; D13/107, 108; D14/432, 435.1, 255, 356; D23/366, 367, D23/369; 362/217.02, 640, 641, 642, 643, 362/644, 652, 653, 657, 658, 659, 477, 88, 362/89, 98, 103, 104, 105, 109, 157, 171, 362/183, 190, 191, 194, 195, 249.1, 249.11, 362/311.01, 311.04, 311.05, 806, 147, 404

See application file for complete search history.

(56) **References Cited**

U.S. PATENT DOCUMENTS

3,780,260 A * 12/1973 Elsner 392/392

(Continued)

Primary Examiner—Jennifer Rivard

Assistant Examiner—Angela J Lee

(57) **CLAIM**

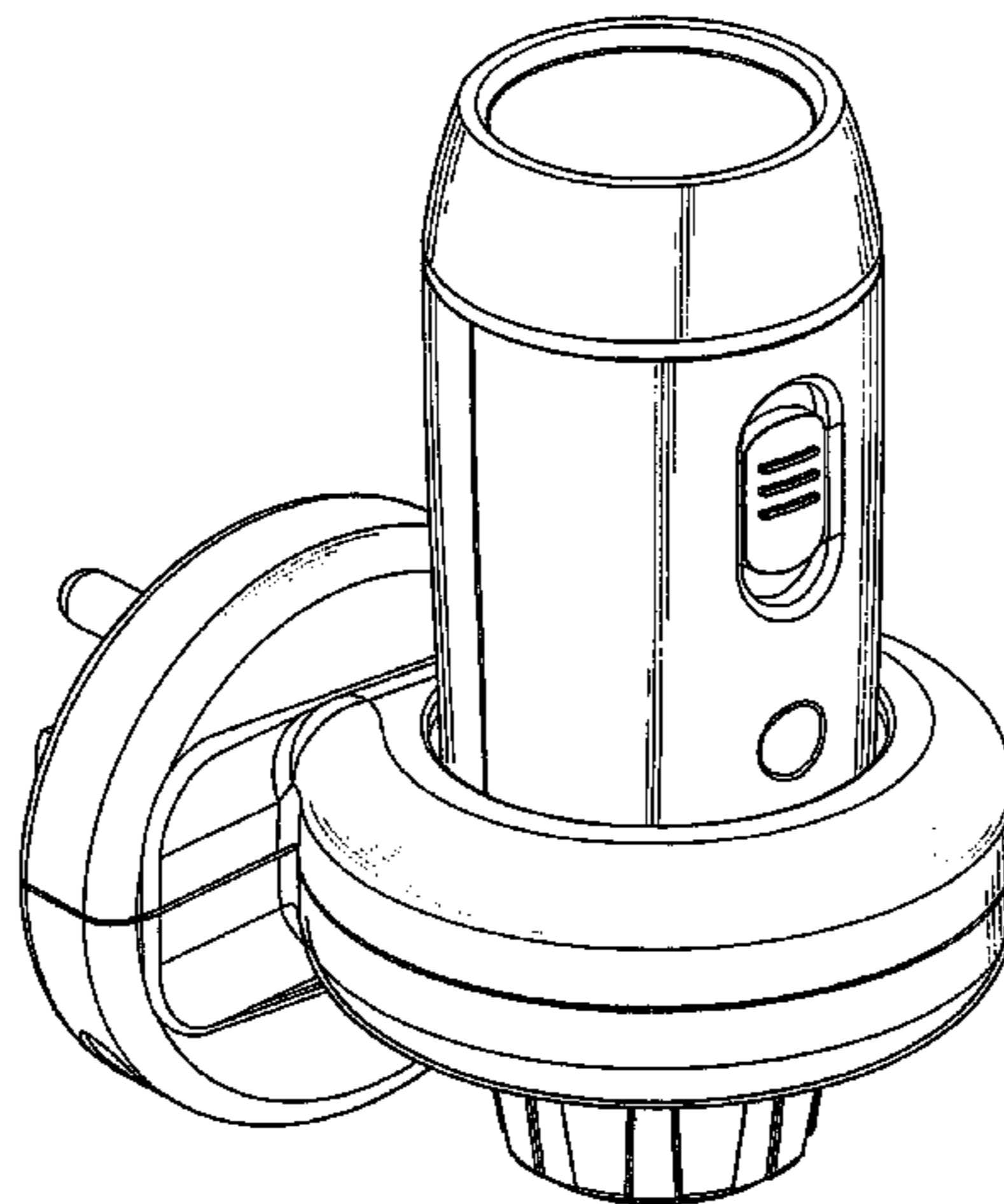
The ornamental design for a combined portable nightlight and charger, as shown and described.

DESCRIPTION

FIG. 1 is a perspective view of a combined portable nightlight and charger showing my new design;

FIG. 2 is a front end view thereof;
FIG. 3 is a rear end view thereof;
FIG. 4 is a left side view thereof;
FIG. 5 is a right side view thereof;
FIG. 6 is a top plan view thereof;
FIG. 7 is a bottom plan view thereof;
FIG. 8 is another perspective view thereof;
FIG. 9 is a perspective view of the charger of the combined portable nightlight and charger;
FIG. 10 is a front end view of the charger of the combined portable nightlight and charger;
FIG. 11 is a rear end view of the charger of the combined portable nightlight and charger;
FIG. 12 is a left side view of the charger of the combined portable nightlight and charger;
FIG. 13 is a right side view of the charger of the combined portable nightlight and charger;
FIG. 14 is a top plan view of the charger of the combined portable nightlight and charger;
FIG. 15 is a bottom plan view of the charger of the combined portable nightlight and charger;
FIG. 16 is a perspective view of the portable nightlight of the combined portable nightlight and charger;
FIG. 17 is a front end view of the portable nightlight of the combined portable nightlight and charger;
FIG. 18 is a rear end view of the portable nightlight of the combined portable nightlight and charger;
FIG. 19 is a left side view of the portable nightlight of the combined portable nightlight and charger;
FIG. 20 is a right side view of the portable nightlight of the combined portable nightlight and charger;
FIG. 21 is a top plan view of the portable nightlight of the combined portable nightlight and charger; and,
FIG. 22 is a bottom plan view of the portable nightlight of the combined portable nightlight and charger.
The charger and portable nightlight are shown separately in FIGS. 9–22 for convenience of illustration.

1 Claim, 21 Drawing Sheets



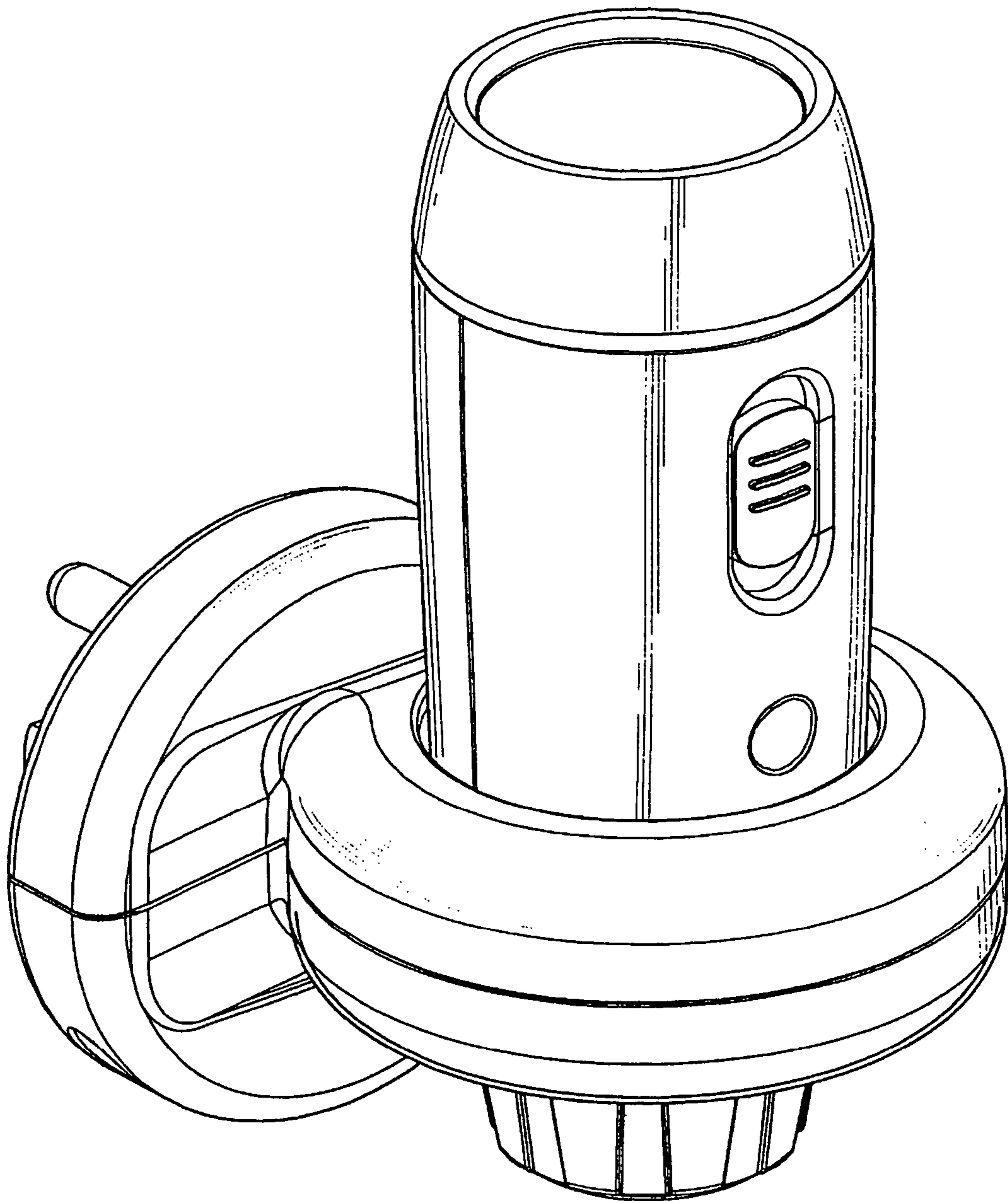
US D602,615 S

Page 2

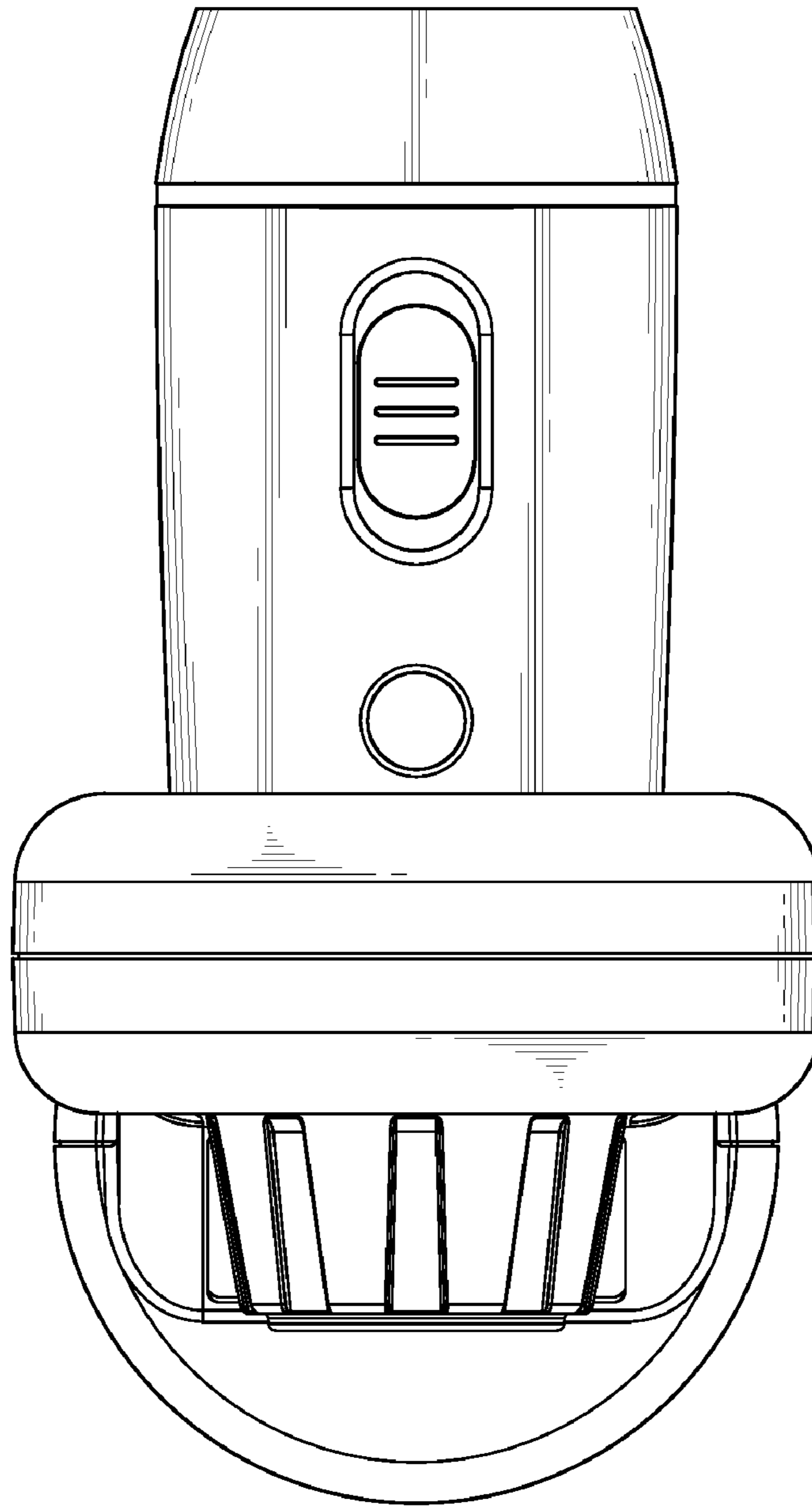
U.S. PATENT DOCUMENTS

D345,814 S *	4/1994	Wright, III	D26/138	D506,560 S *	6/2005	Oas	D26/39
D394,122 S *	5/1998	Concari et al.	D26/38	D562,763 S *	2/2008	Kingston et al.	D13/108
D471,654 S *	3/2003	Schenck	D26/26	D563,314 S *	3/2008	Kingston et al.	D13/108
6,627,857 B1 *	9/2003	Tanner et al.	219/445.1	D578,227 S *	10/2008	Osiecki et al.	D26/24
D485,925 S *	1/2004	Oas	D26/38	D581,566 S *	11/2008	Slawson et al.	D26/38
D488,245 S *	4/2004	McDonald et al.	D26/49	2003/0076680 A1 *	4/2003	Stekelenburg	362/276

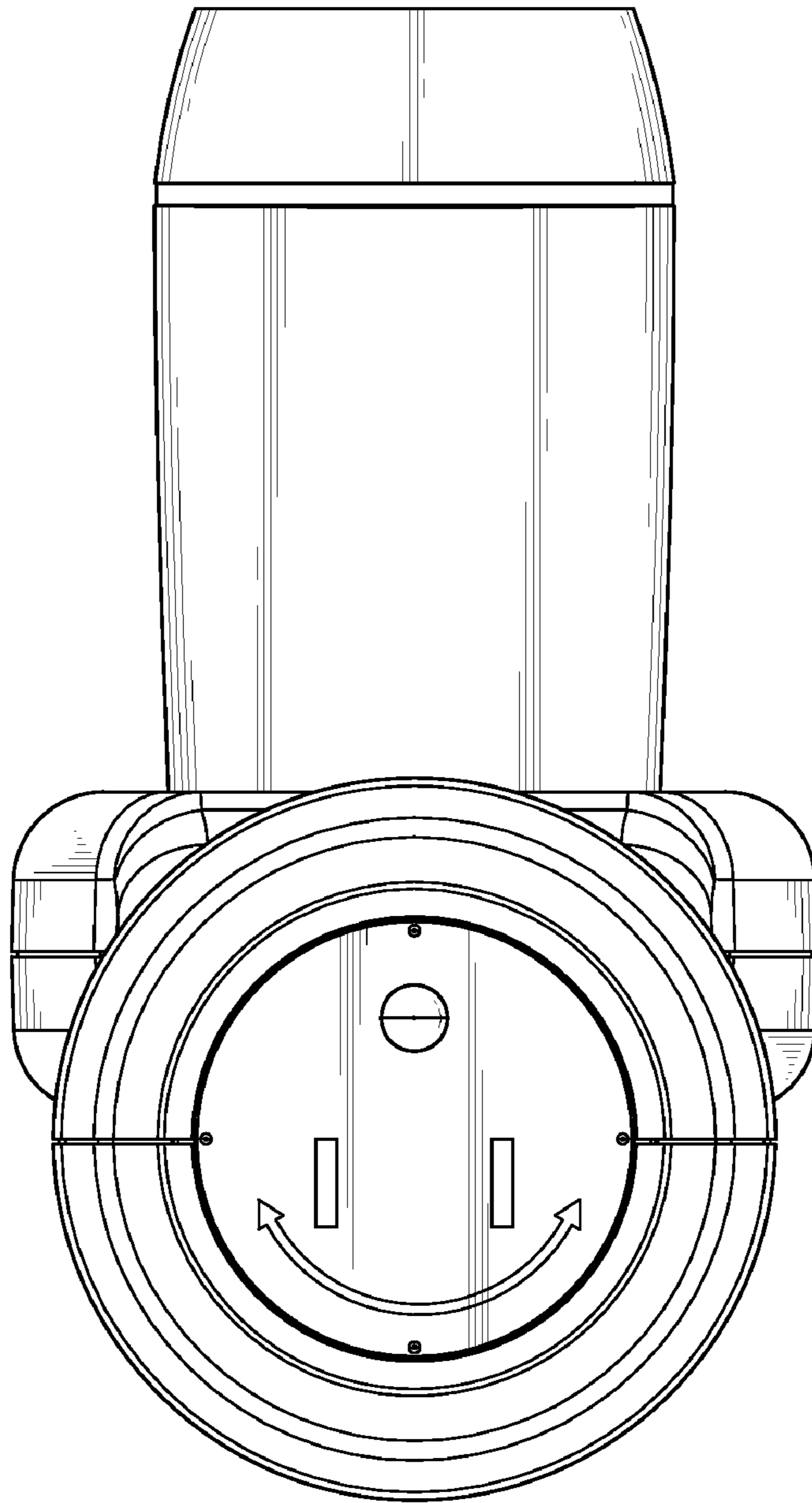
* cited by examiner



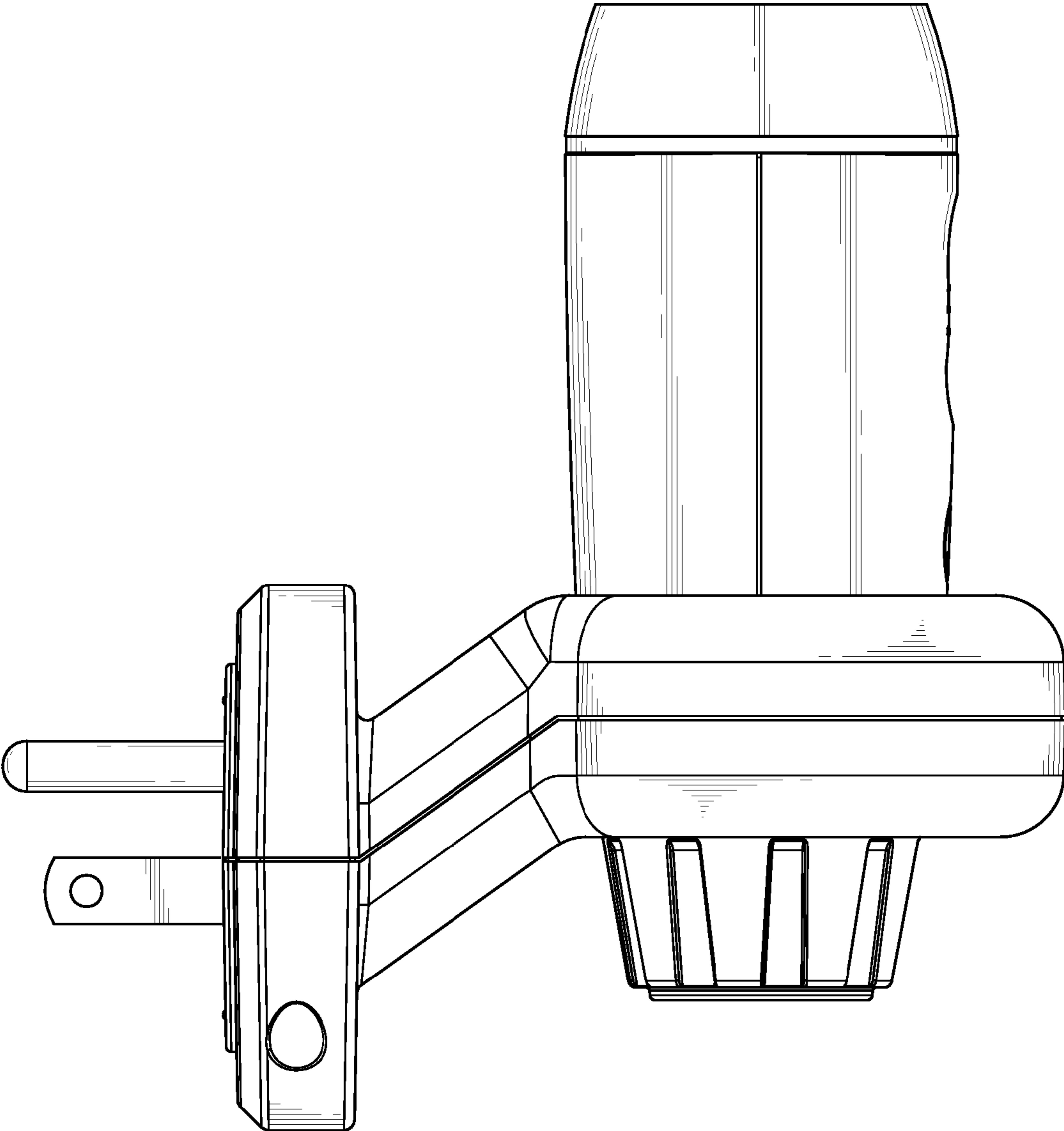
F I G . 1



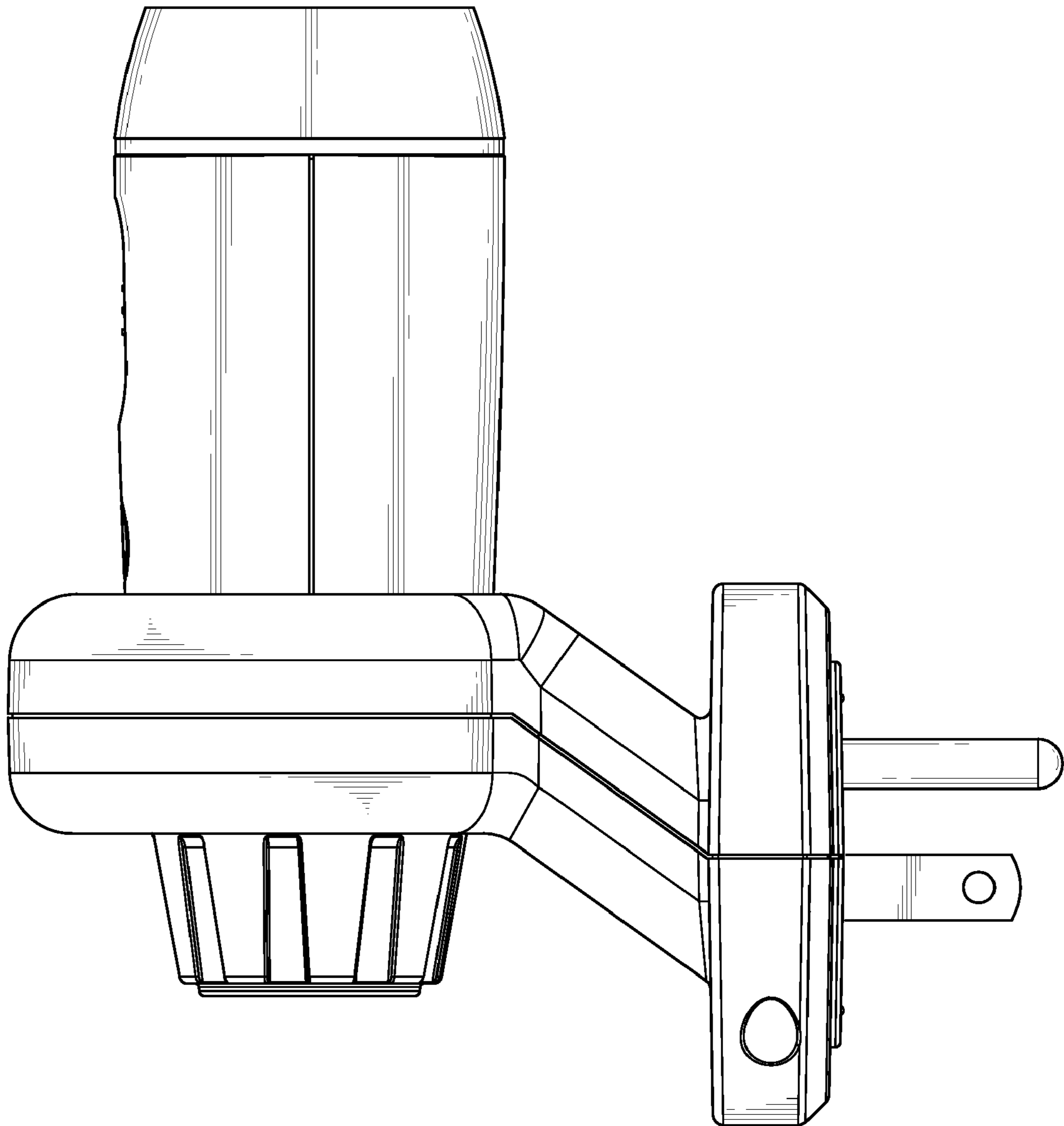
F I G . 2



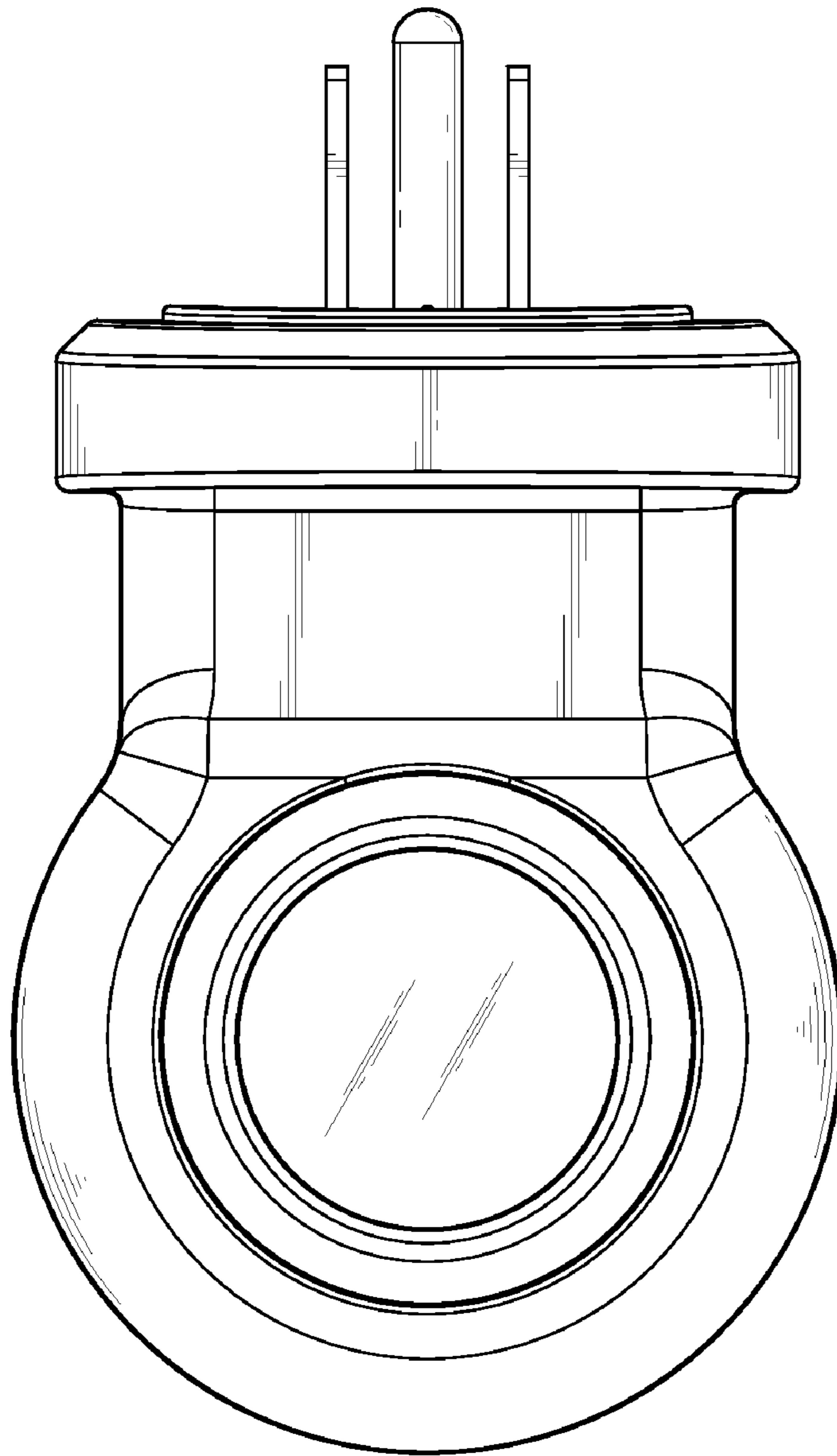
F I G . 3



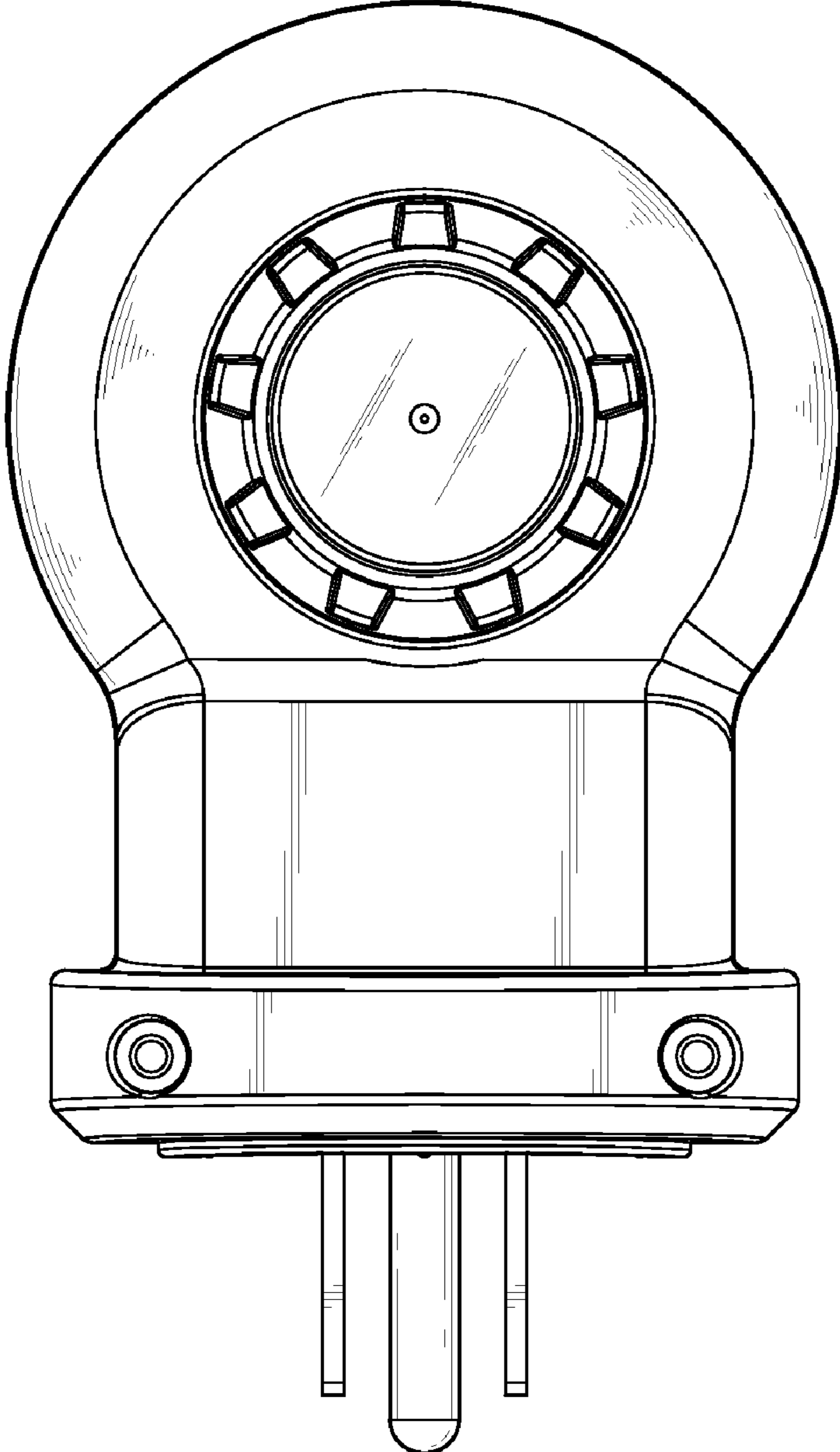
F I G . 4



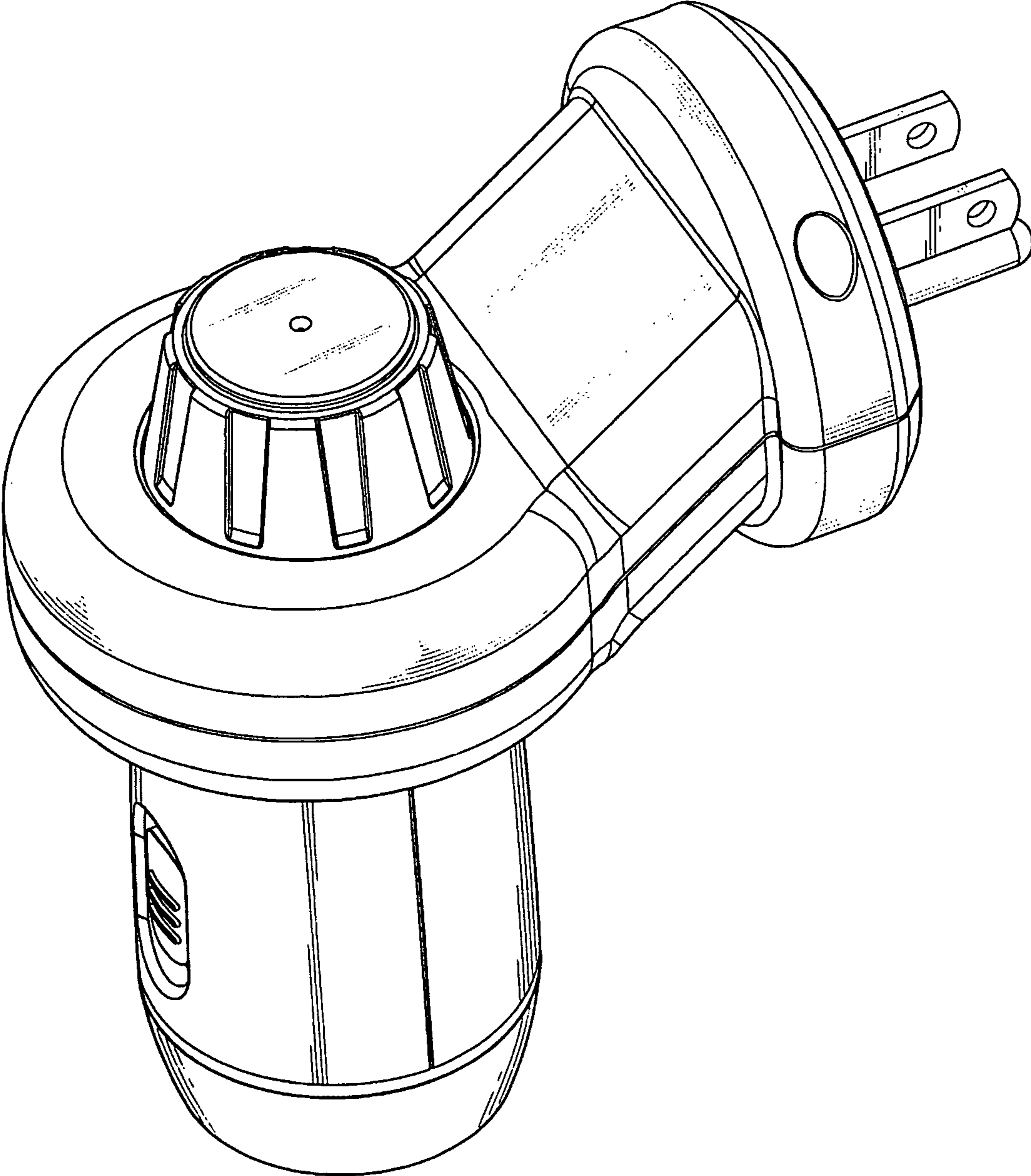
F I G . 5



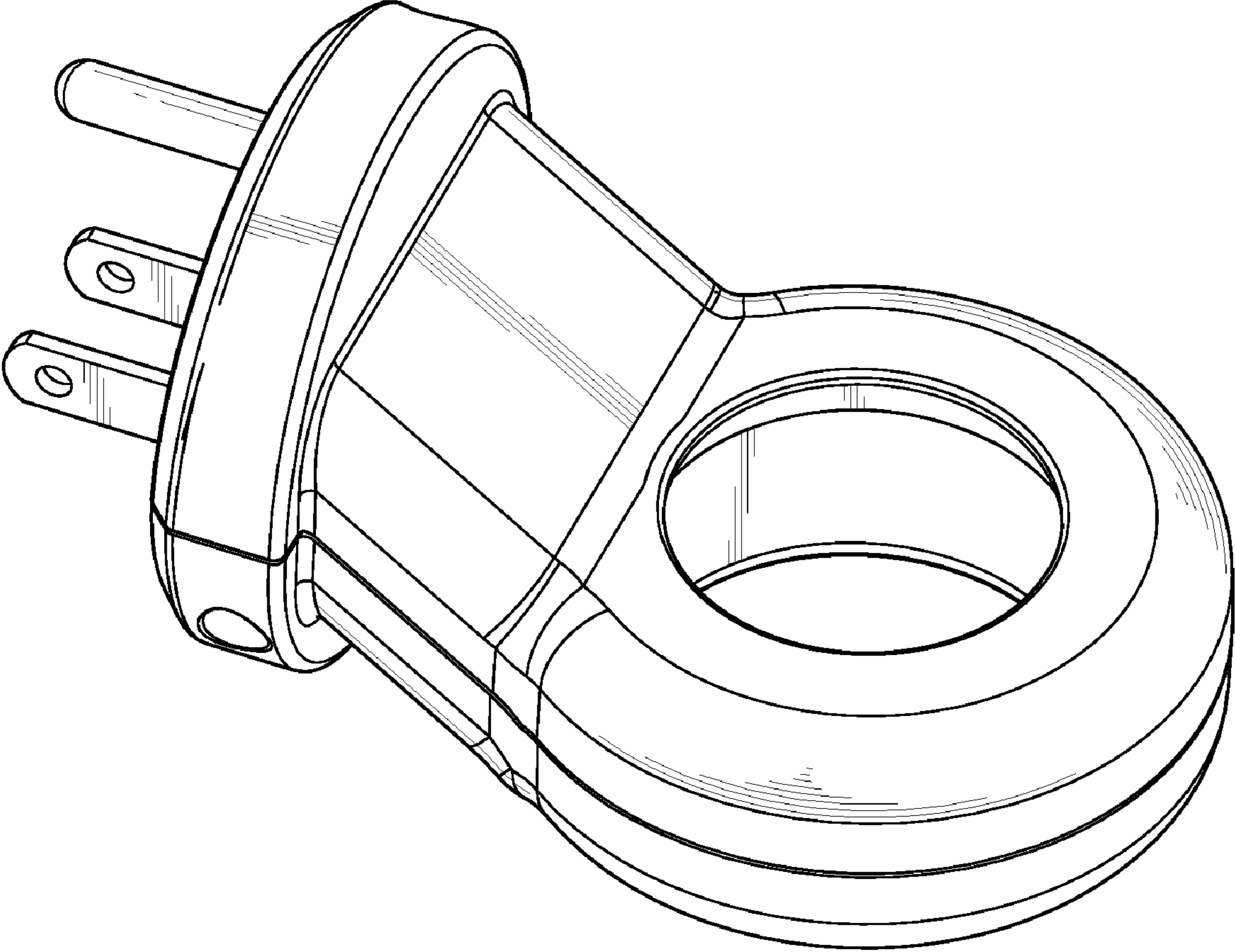
F I G . 6



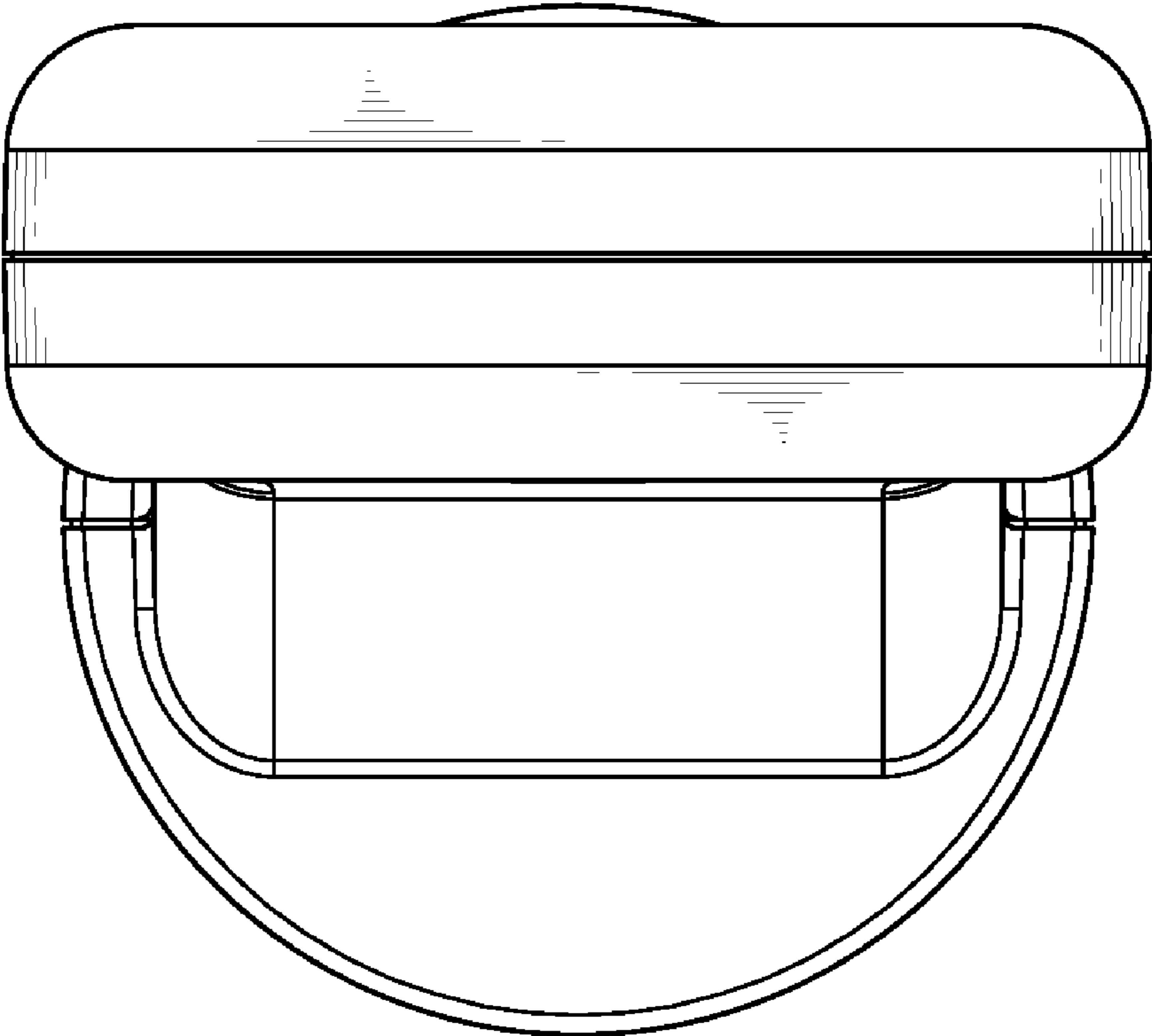
F I G . 7



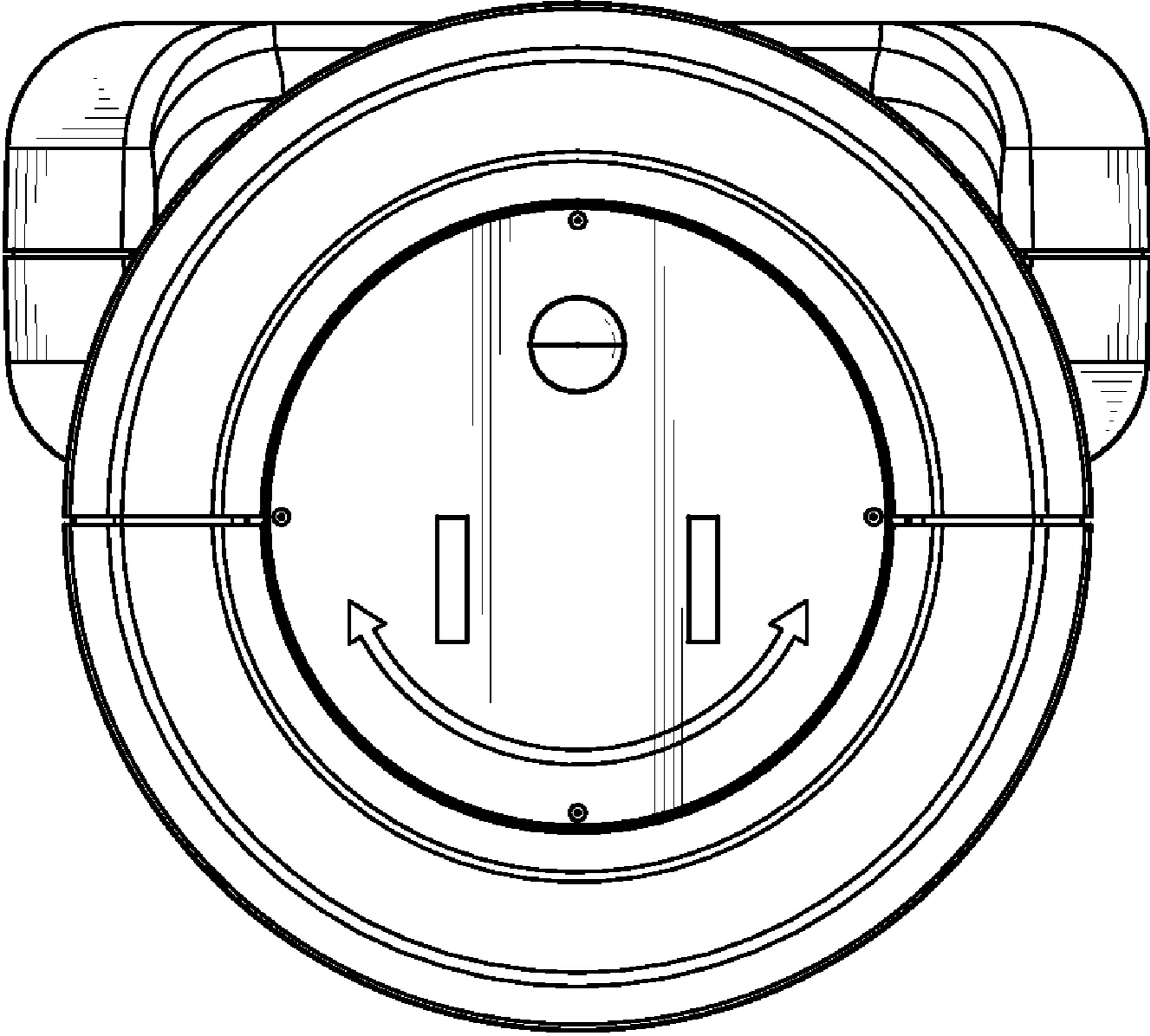
F I G . 8



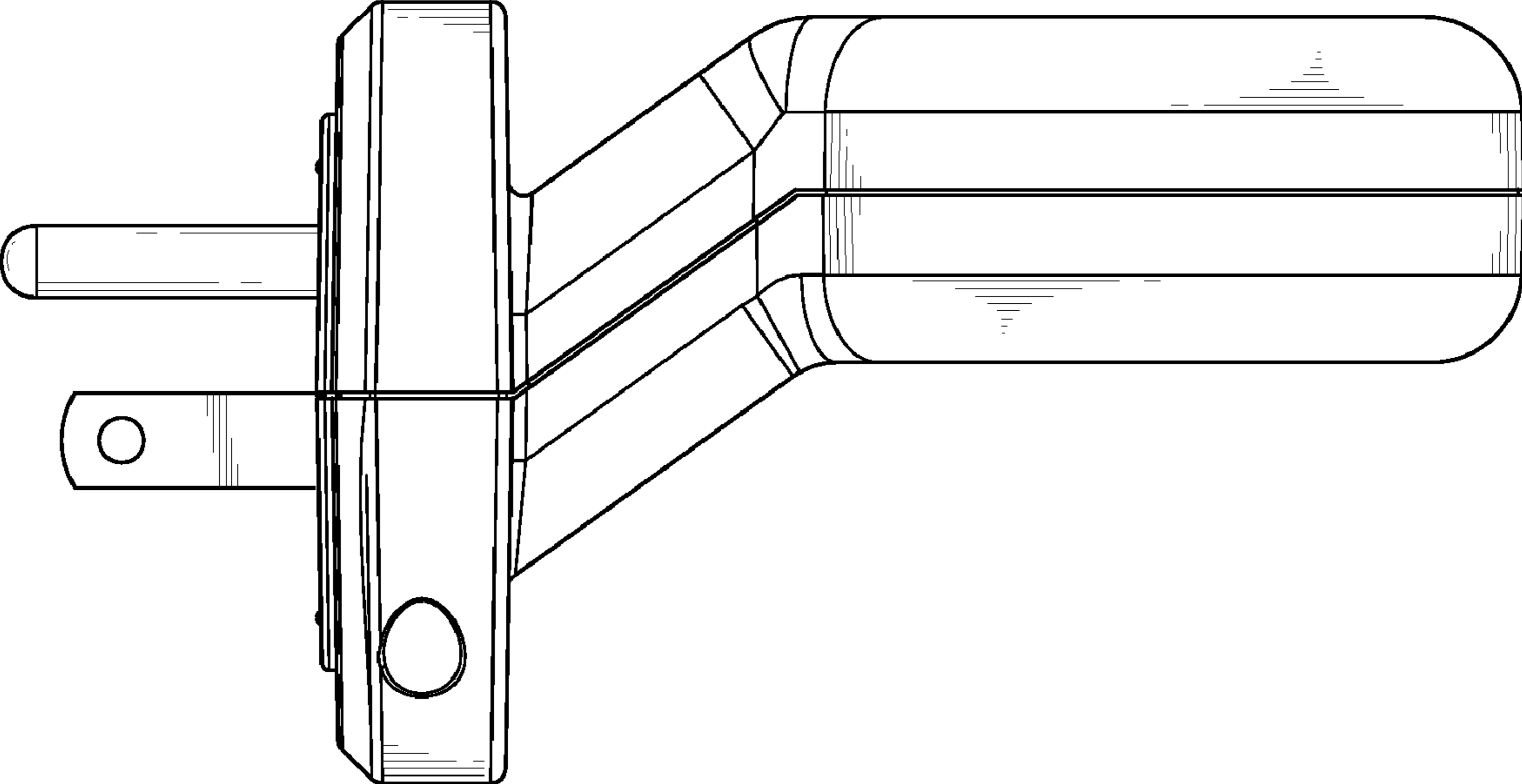
F I G . 9



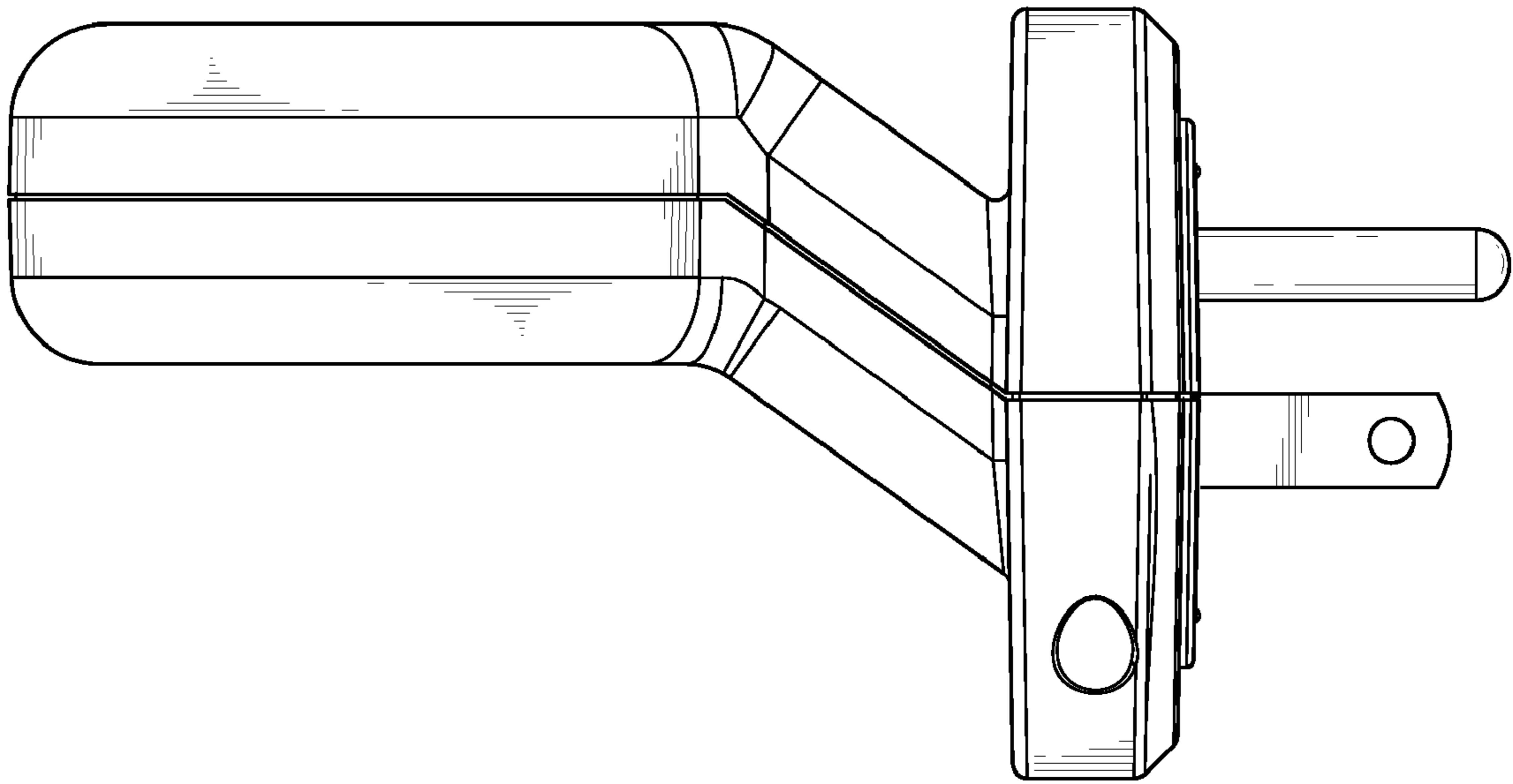
F I G . 10



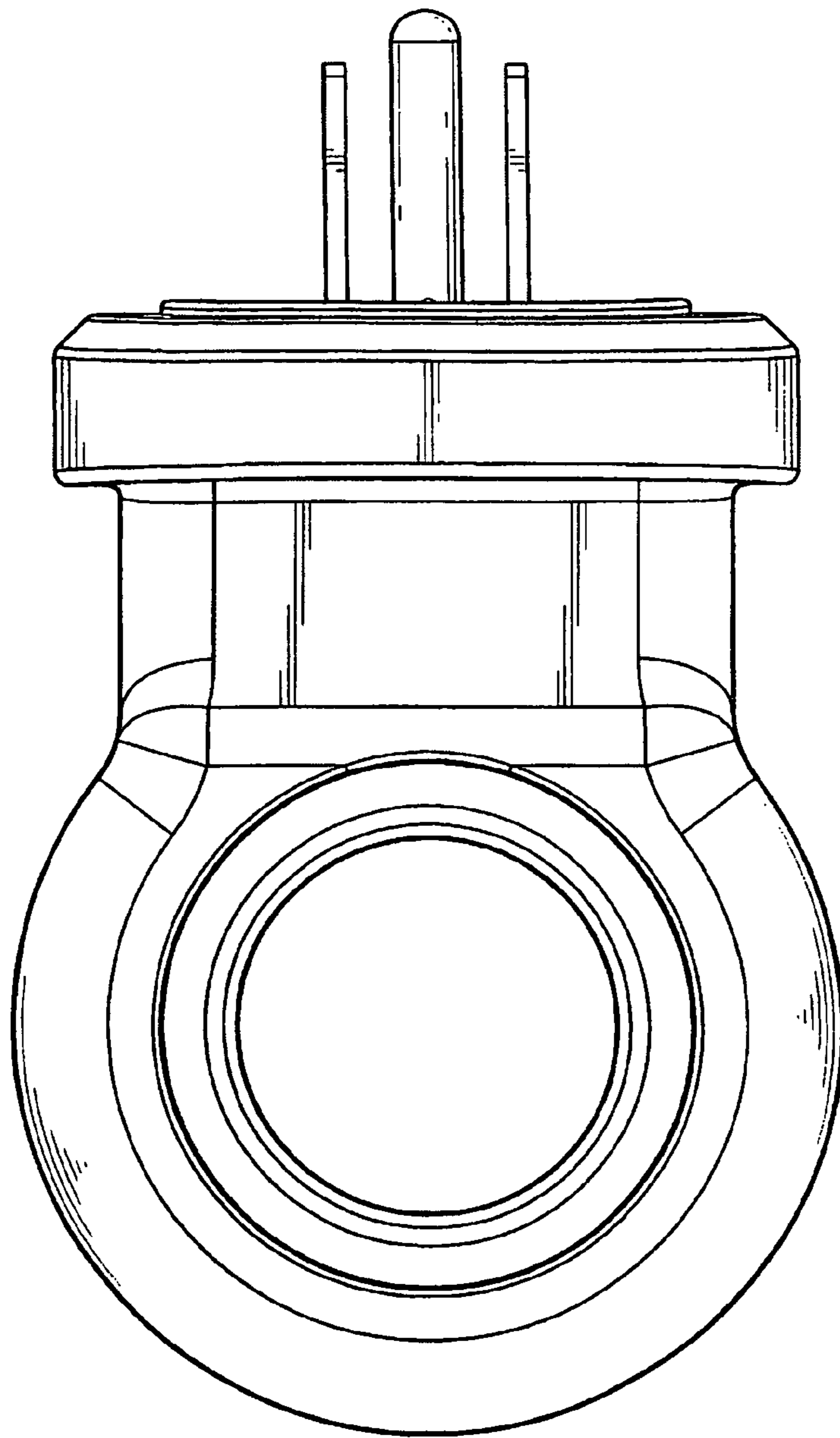
F I G . 11



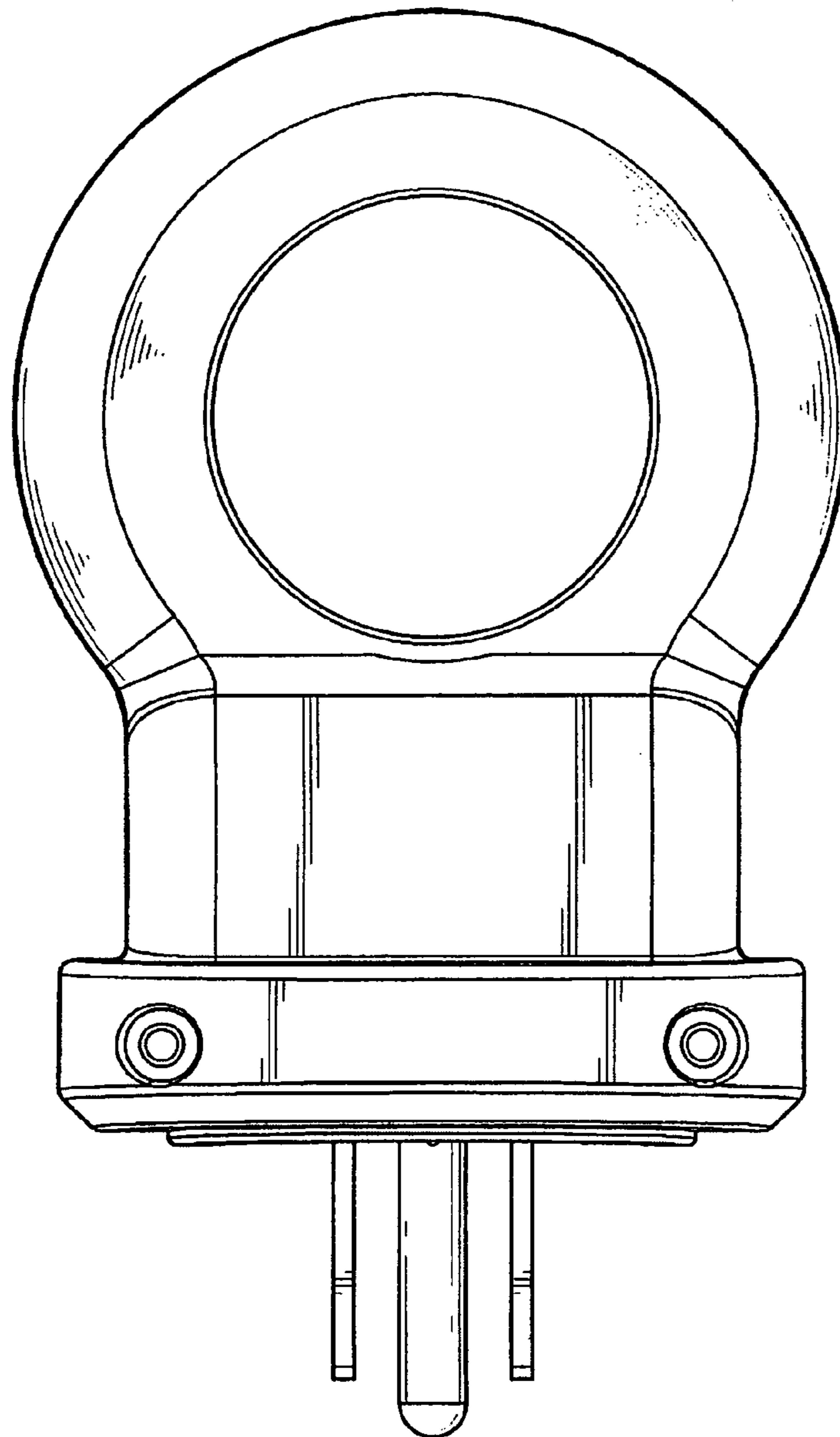
F I G . 12



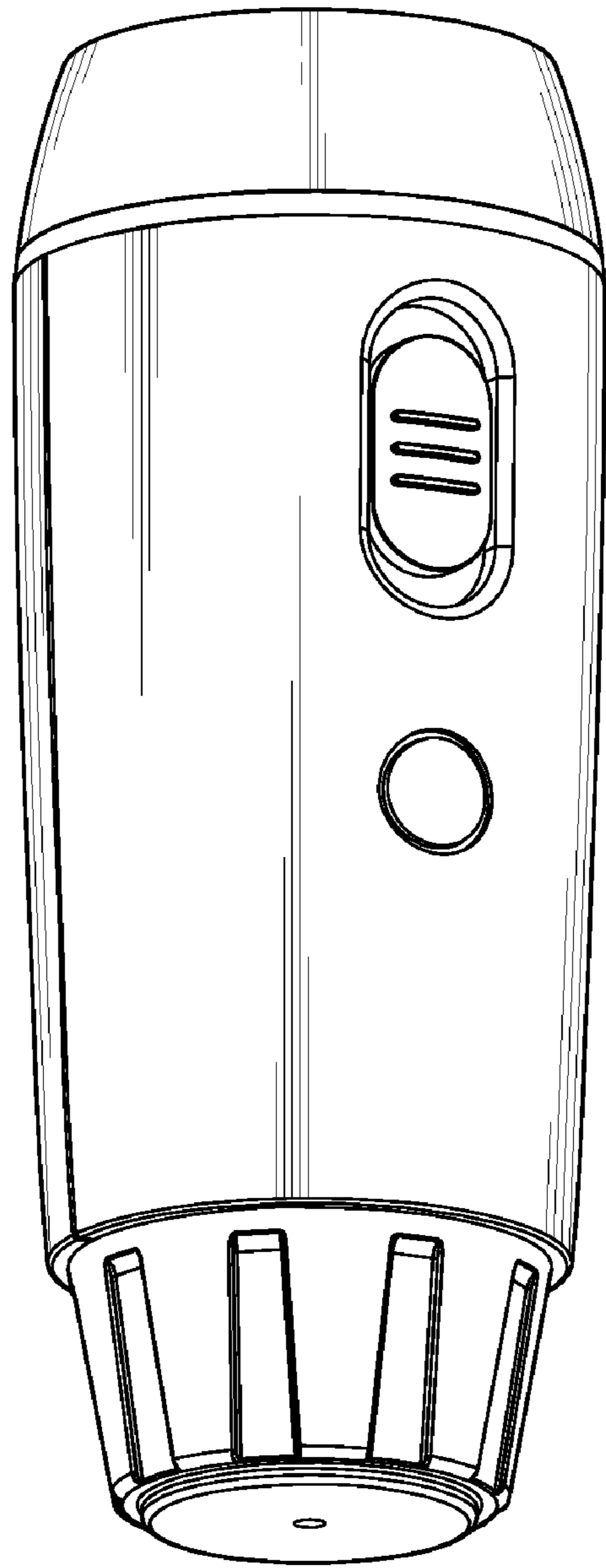
F I G . 13



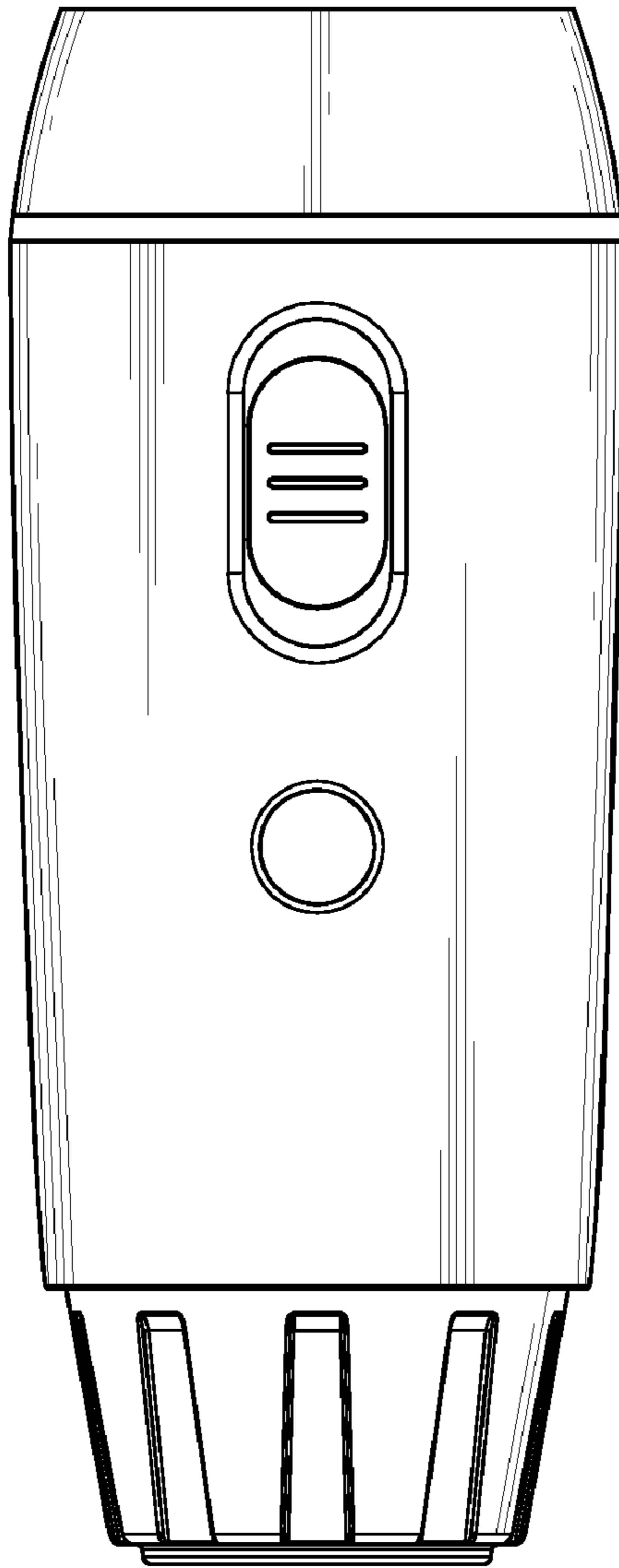
F I G . 1 4



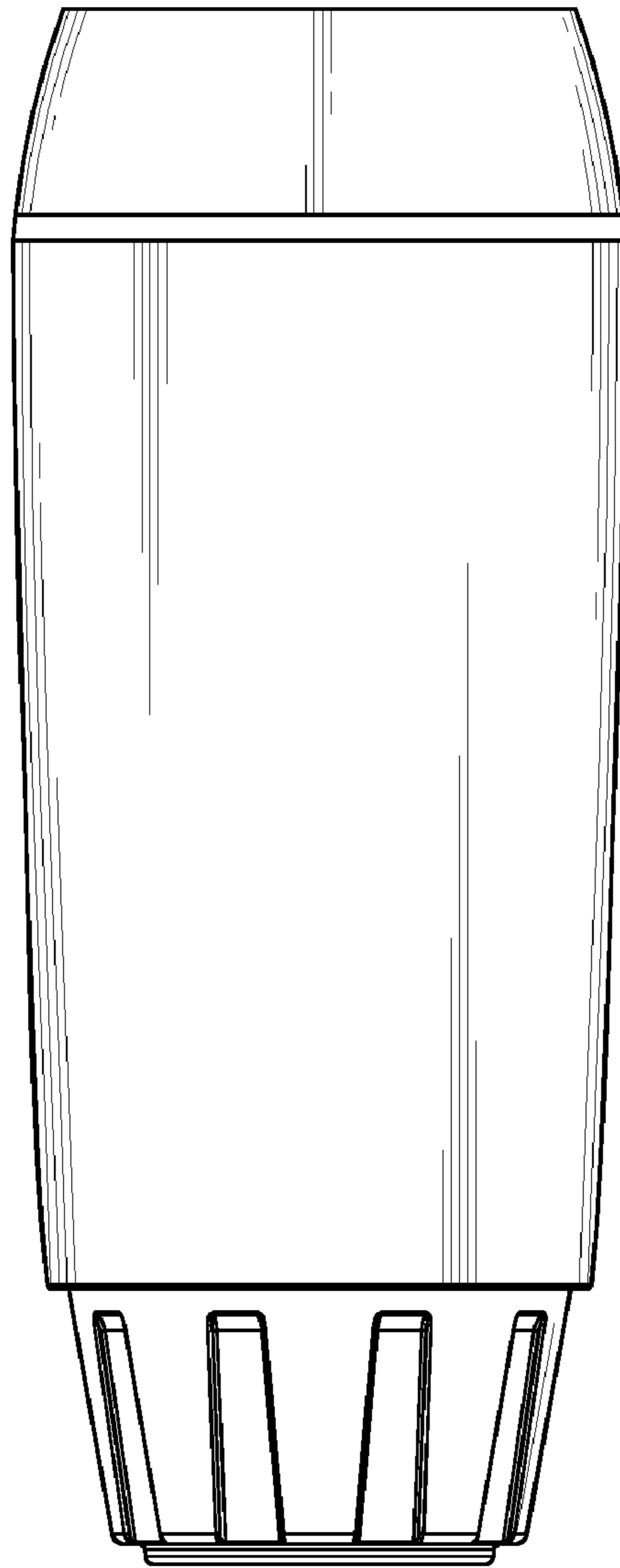
F I G . 15



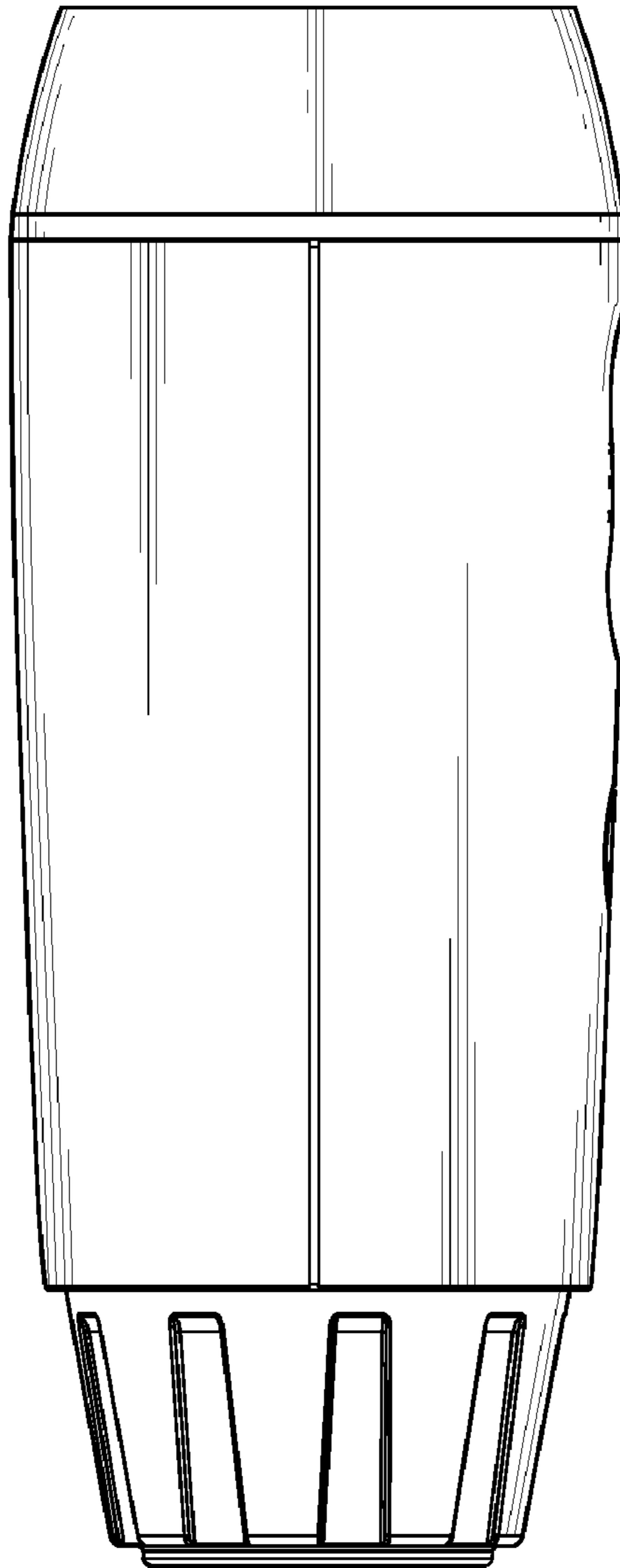
F I G . 16



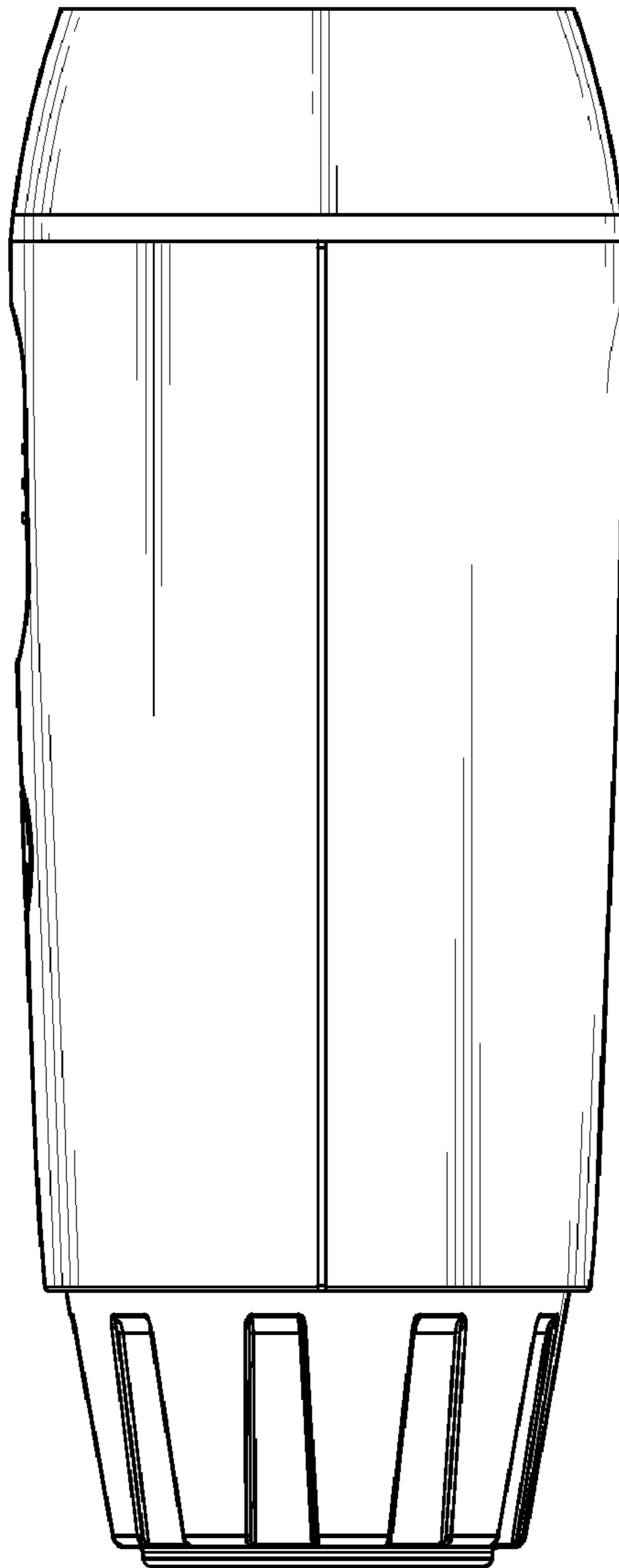
F I G . 17



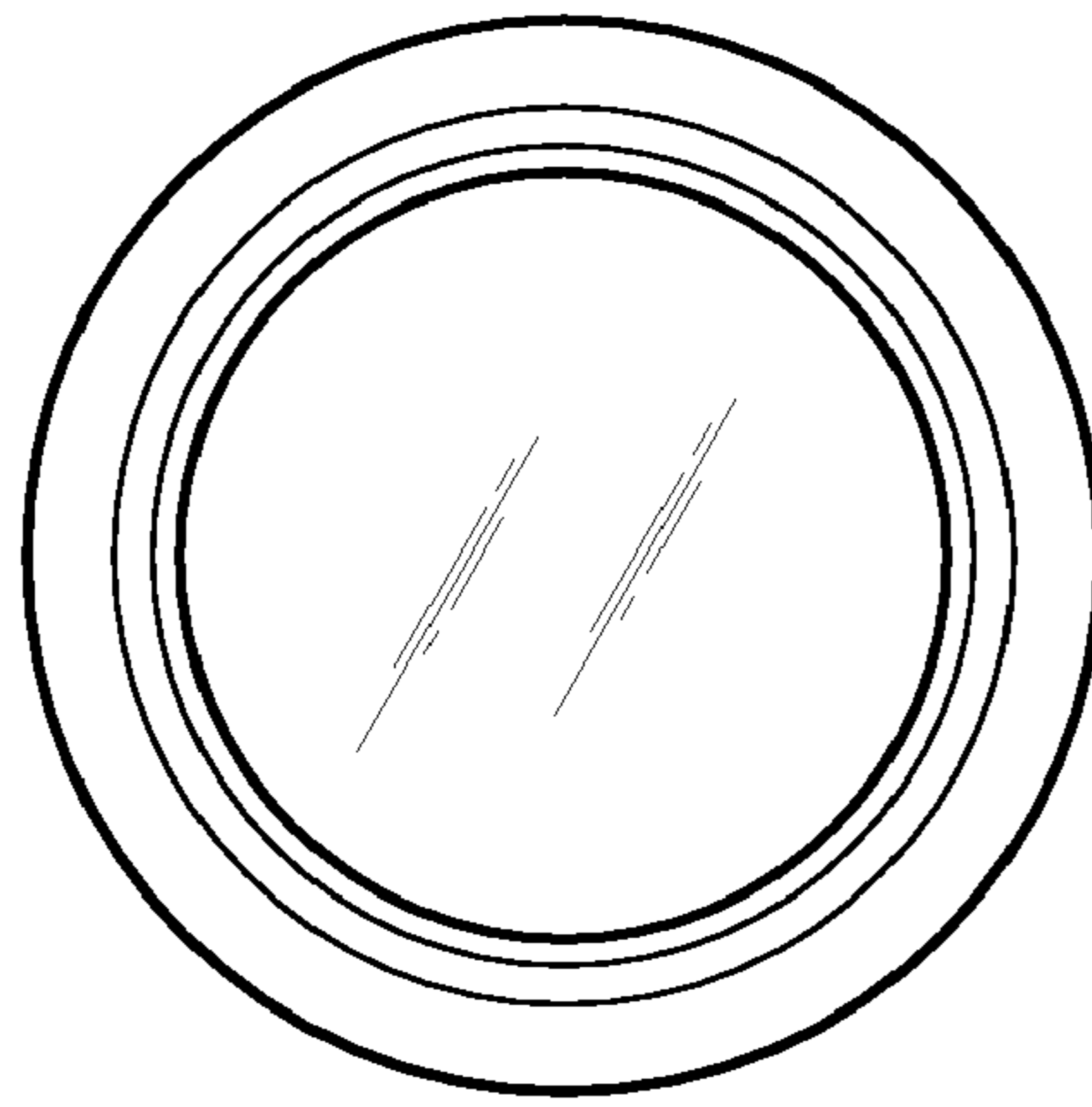
F I G . 1 8



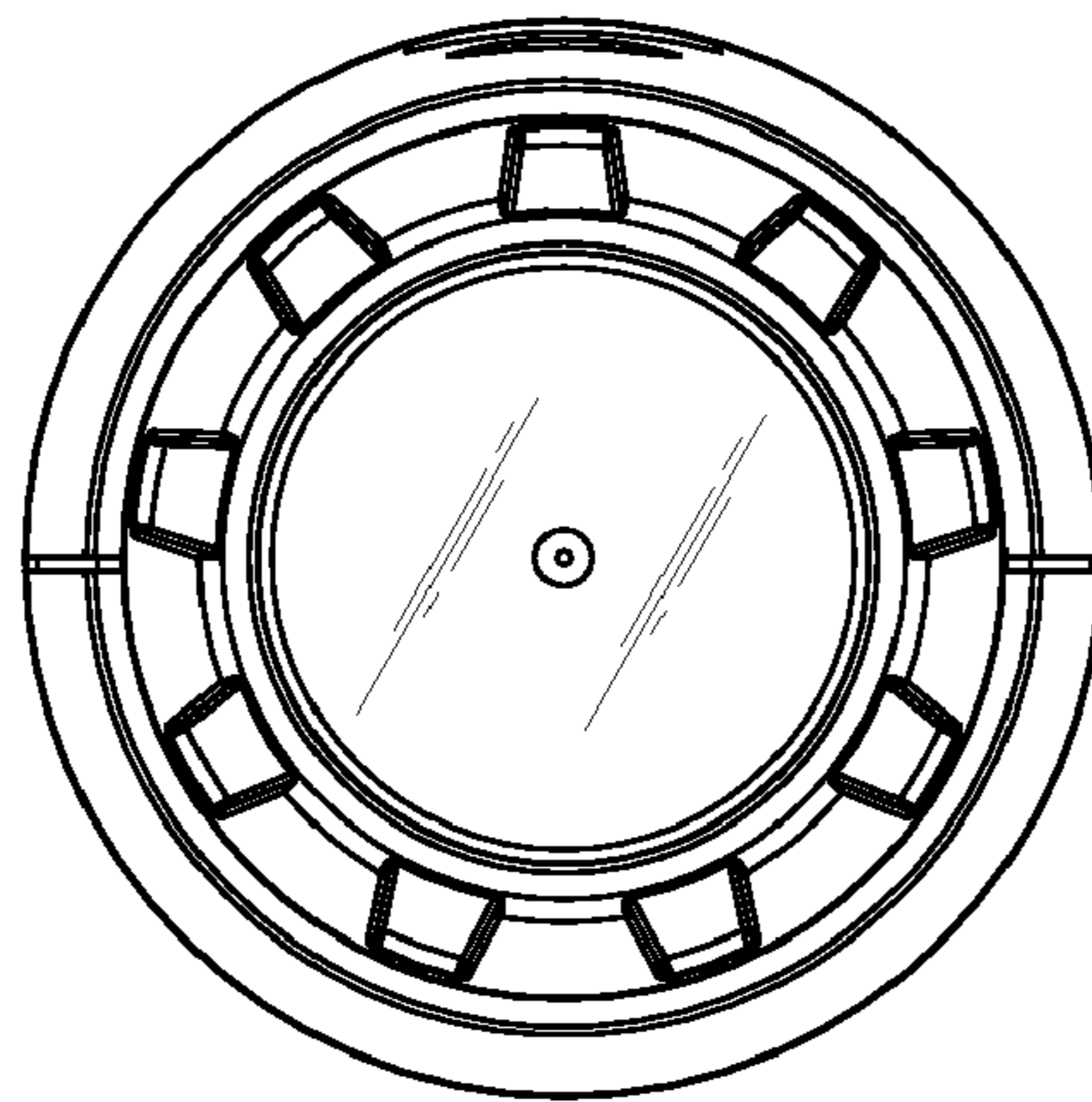
F I G . 19



F I G . 20



F I G . 21



F I G . 22