

US00D602613S

(12) **United States Design Patent**
Hamanaka et al.

(10) **Patent No.:** **US D602,613 S**
(45) **Date of Patent:** **** Oct. 20, 2009**

(54) **LUMINESCENT ELEMENT WITH A LENS**

(57) **CLAIM**

(75) Inventors: **Kenjiro Hamanaka**, Minato-ku (JP);
Takahiro Hashimoto, Minato-ku (JP);
Hideshi Nagata, Minato-ku (JP); **Seiji Ohno**, Minato-ku (JP)

The ornamental design for luminescent element with a lens, as shown and described.

(73) Assignee: **Fuji Xerox Co., Ltd.**, Tokyo (JP)

DESCRIPTION

(**) Term: **14 Years**

The present design is featured by a unique appearance of a luminescent element with a lens adapted to be used in a luminescent elements array for e.g. a printer.

(21) Appl. No.: **29/239,401**

FIG. 1 is a perspective view of a luminescent element with a lens showing our new design;

(22) Filed: **Sep. 29, 2005**

FIG. 2 is a front view thereof;

(51) **LOC (9) Cl.** **26-04**

FIG. 3 is a rear view thereof;

(52) **U.S. Cl.** **D26/1**

FIG. 4 is a left side view thereof;

(58) **Field of Classification Search** D26/1,
D26/24, 26, 37, 51-52, 60; 362/182, 184-186,
362/194, 652, 655-656

FIG. 5 is a right side view thereof;

See application file for complete search history.

FIG. 6 is a top plan view thereof;

FIG. 7 is a bottom view thereof;

(56) **References Cited**

FIG. 8 is a cross-sectional view taken along the A—A line in FIG. 6; and,

U.S. PATENT DOCUMENTS

FIG. 9 is a top plan view showing a use condition of the luminescent element with the lens in which an array of the luminescent elements with lenses is mounted on a substrate.

D576,970 S * 9/2008 Uemoto et al. D13/180

D578,226 S * 10/2008 West et al. D26/1

D578,671 S * 10/2008 Kanayama et al. D26/1

The broken lines are for illustration only and form no part of the claimed design.

* cited by examiner

Primary Examiner—Marcus A Jackson
(74) *Attorney, Agent, or Firm*—RatnerPrestia

1 Claim, 4 Drawing Sheets

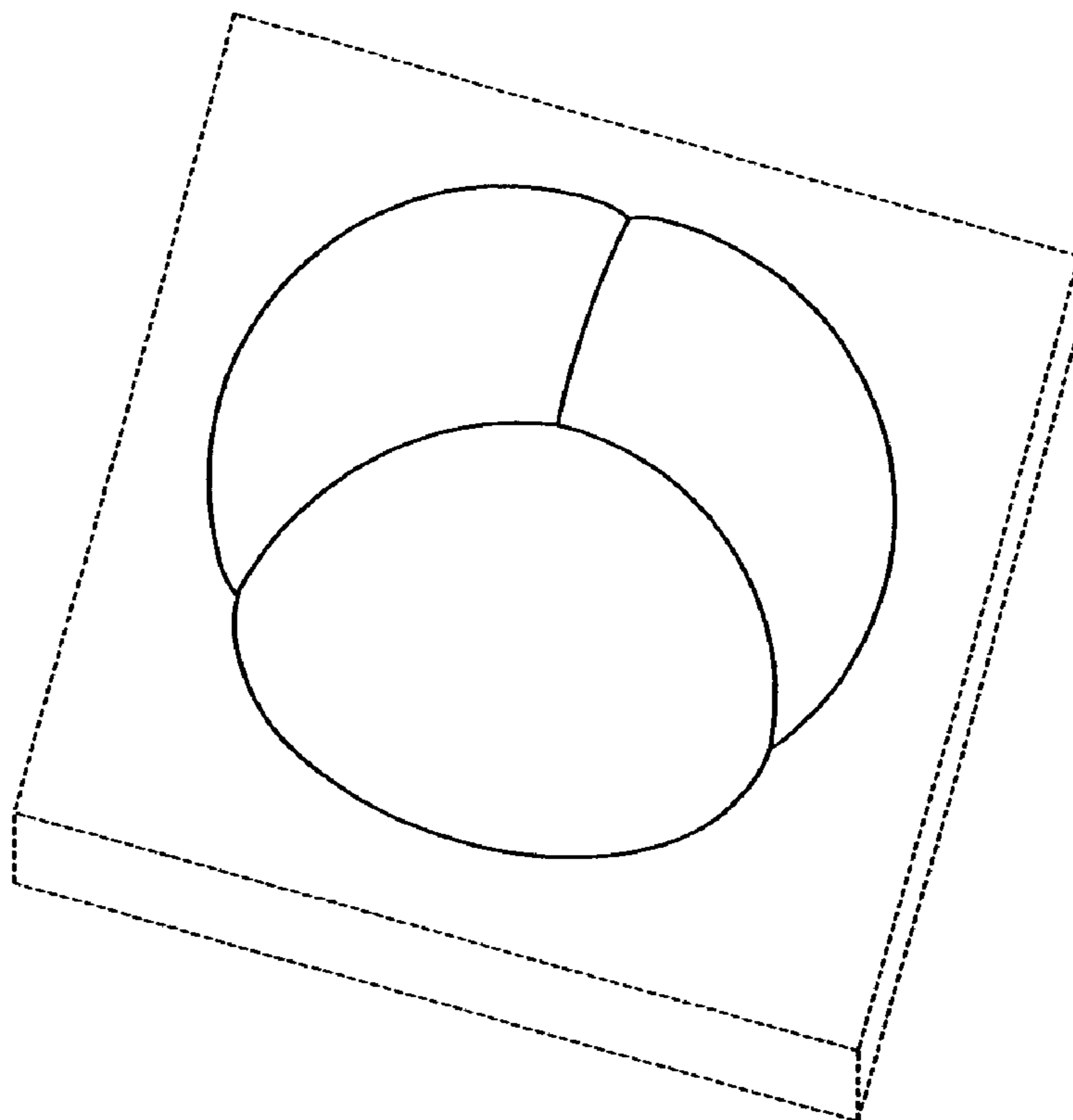


FIG. 1

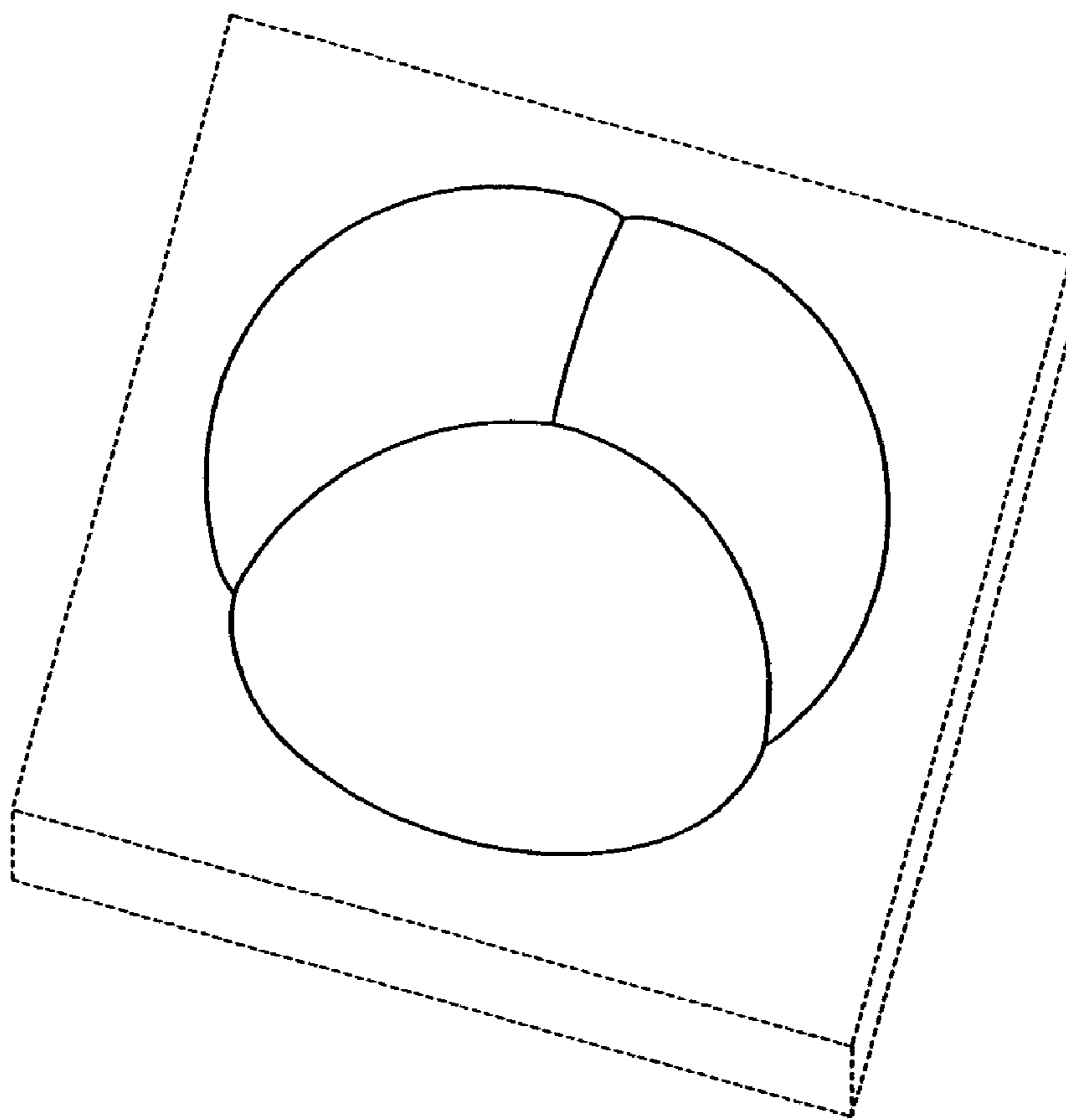


FIG. 2

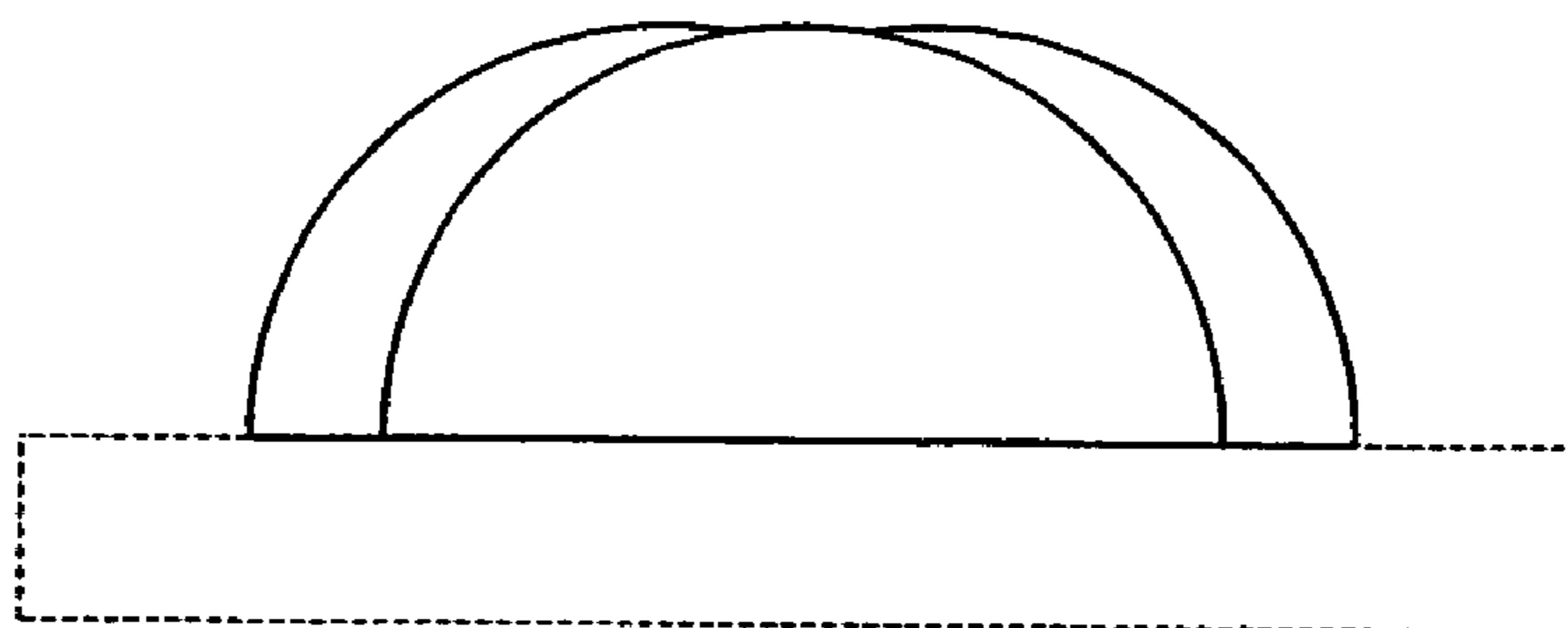


FIG. 3

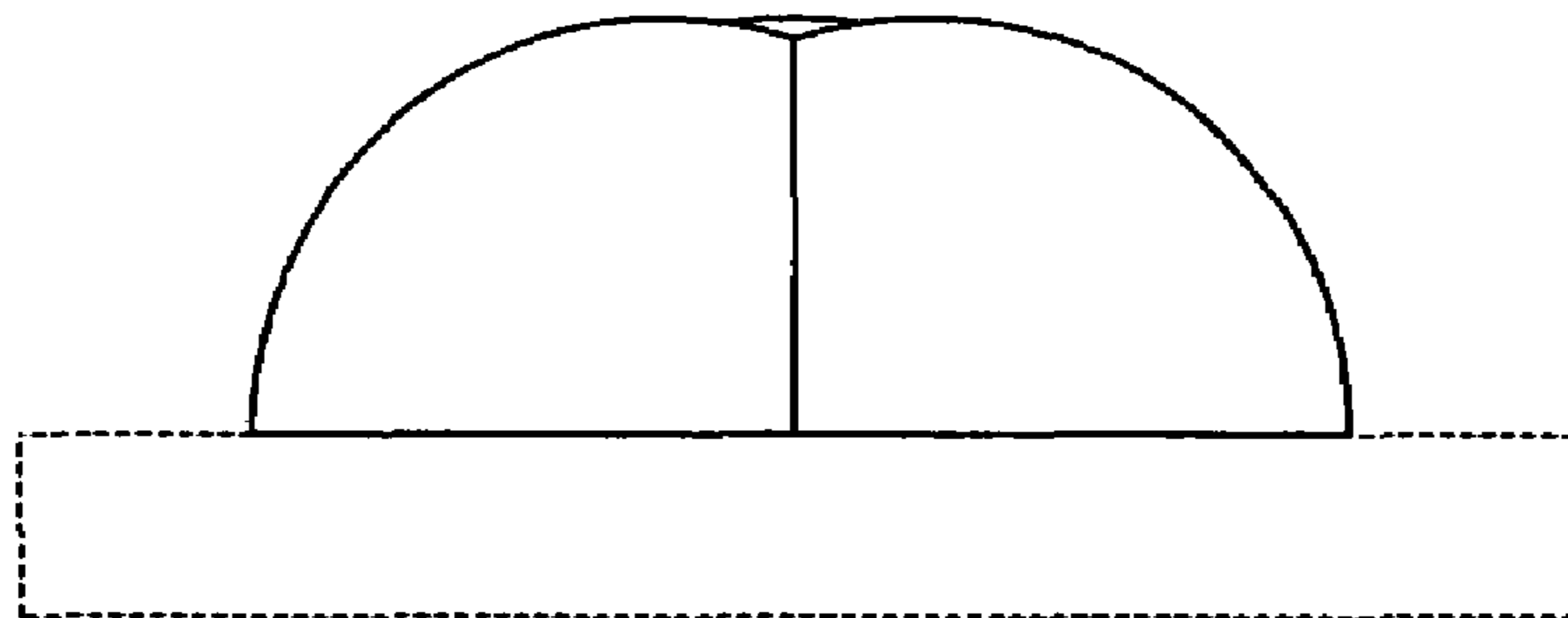


FIG. 4

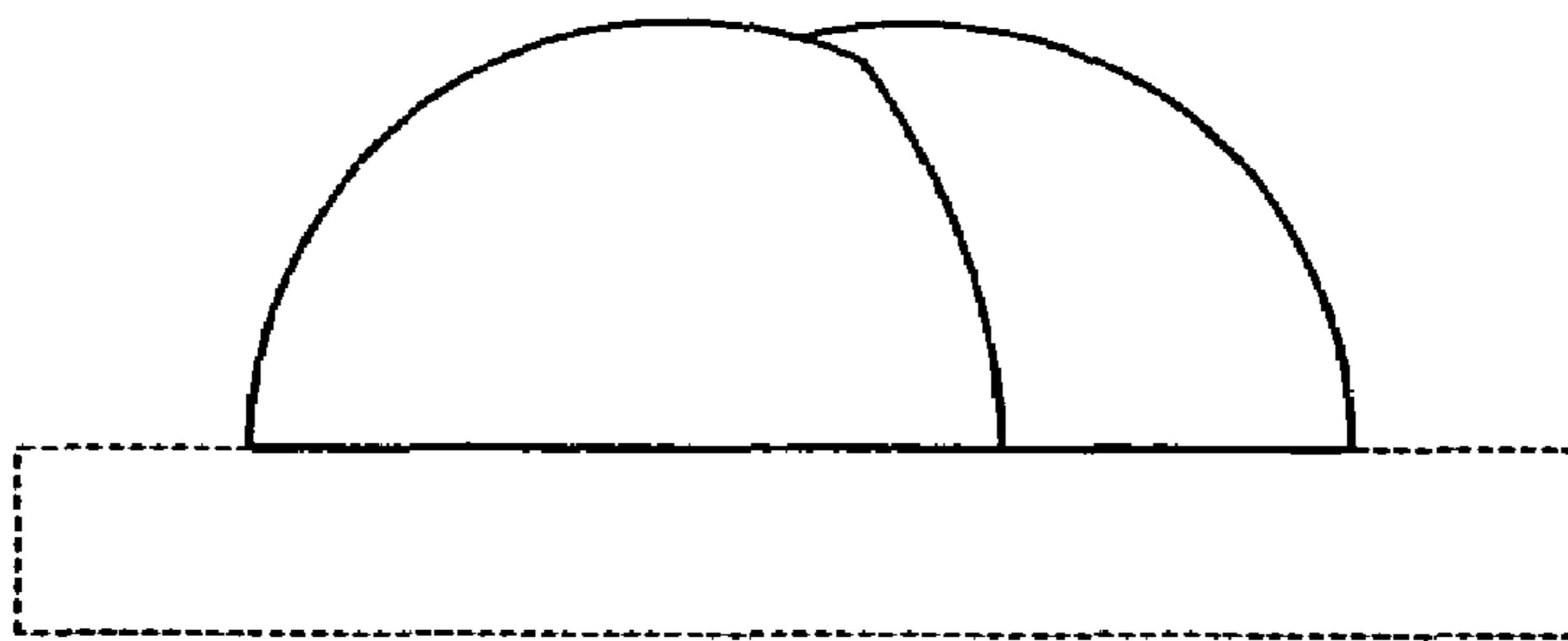


FIG. 5

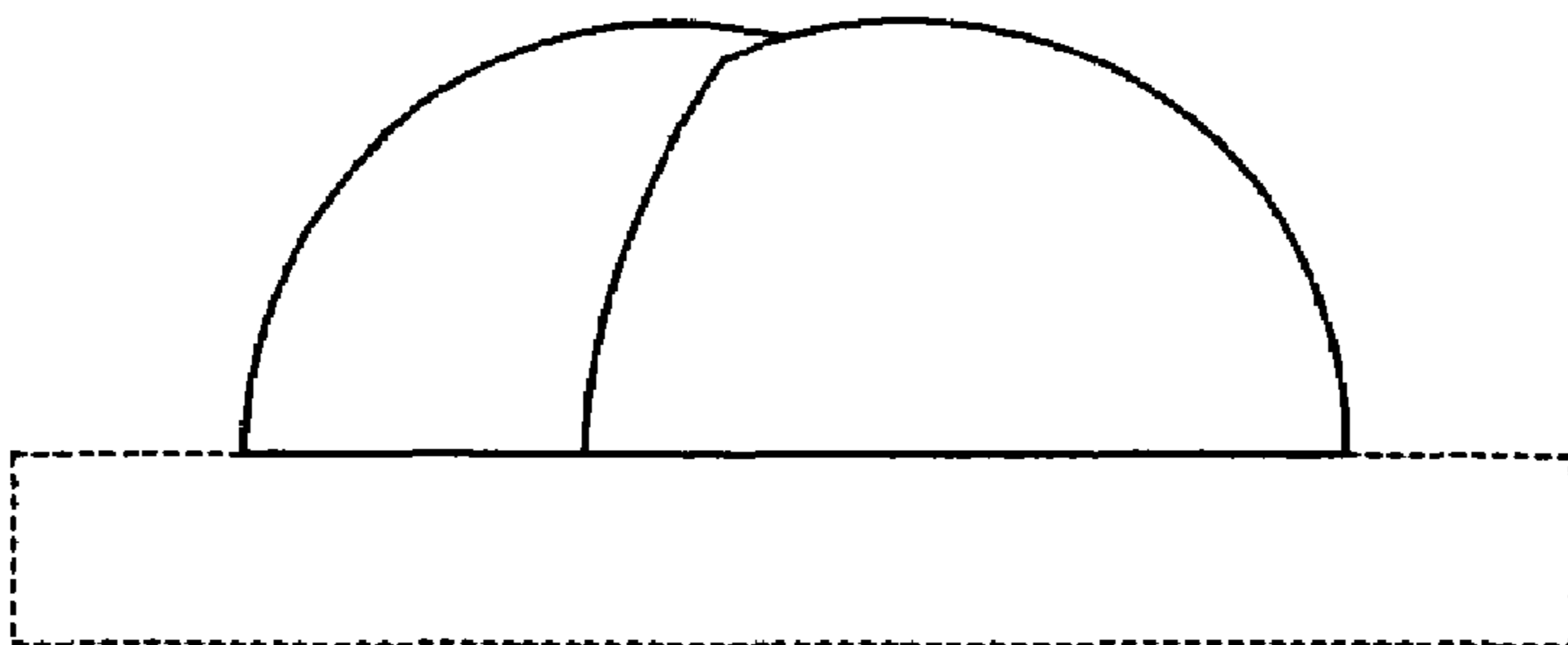


FIG. 6

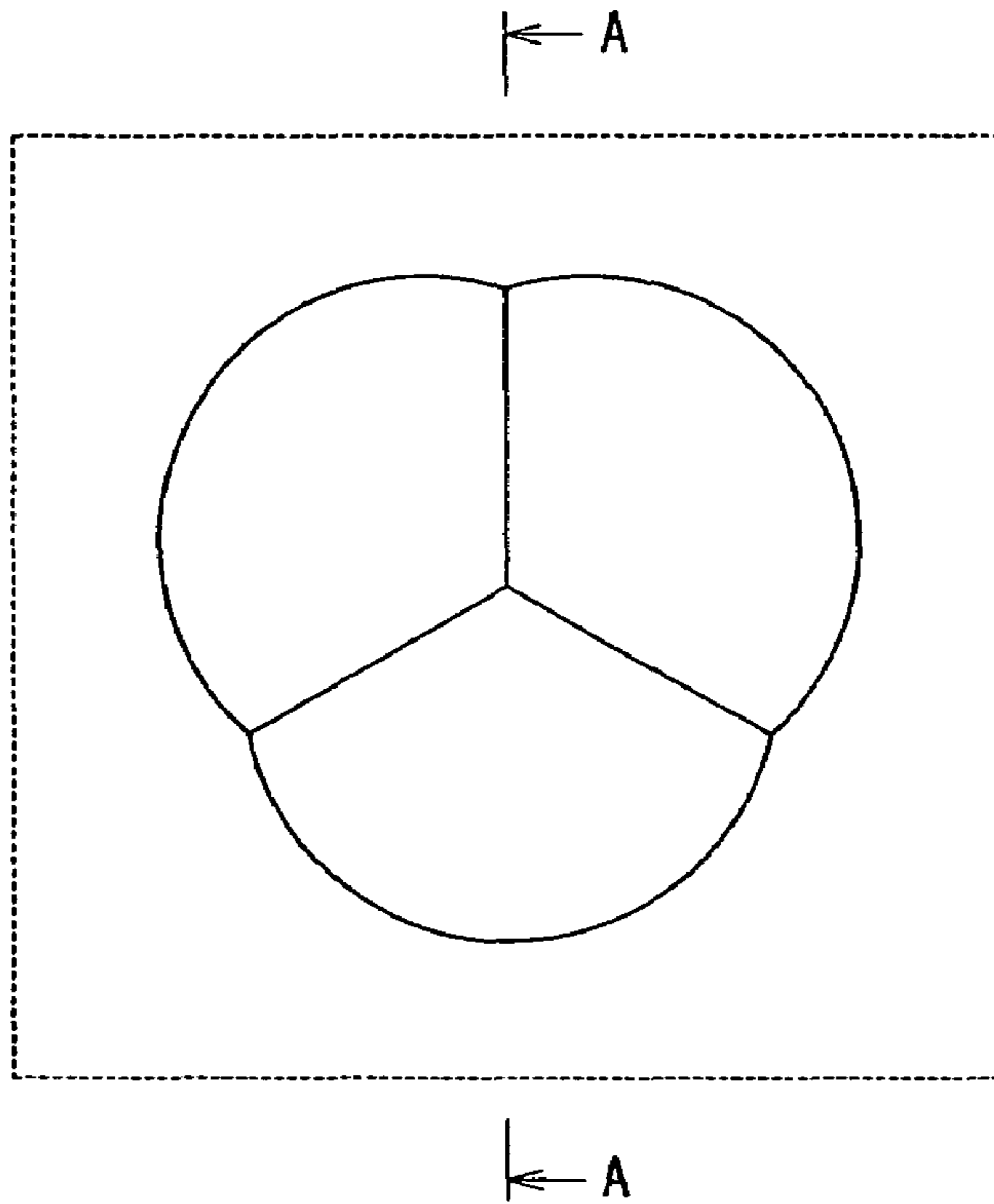


FIG. 7

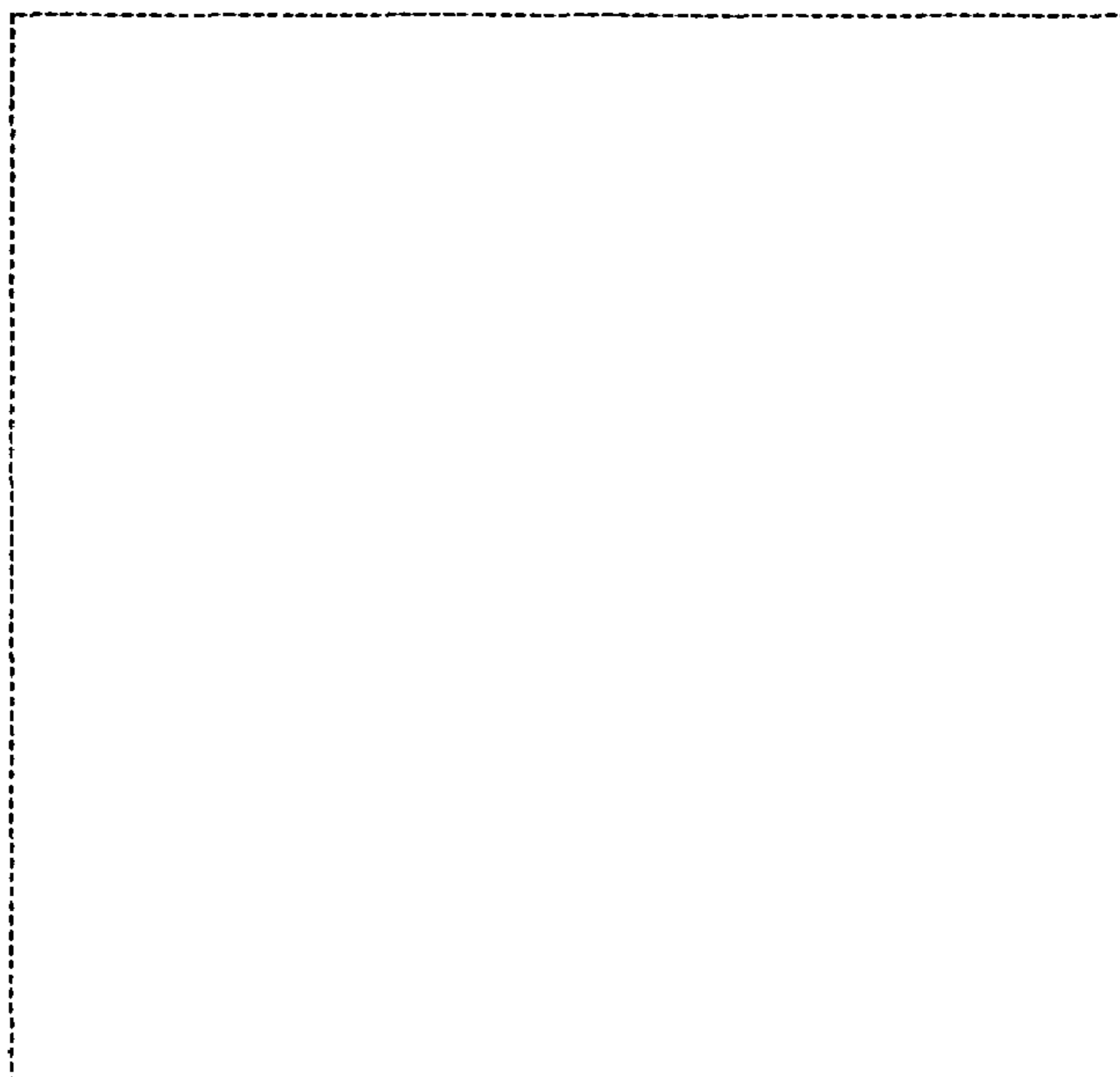


FIG. 8

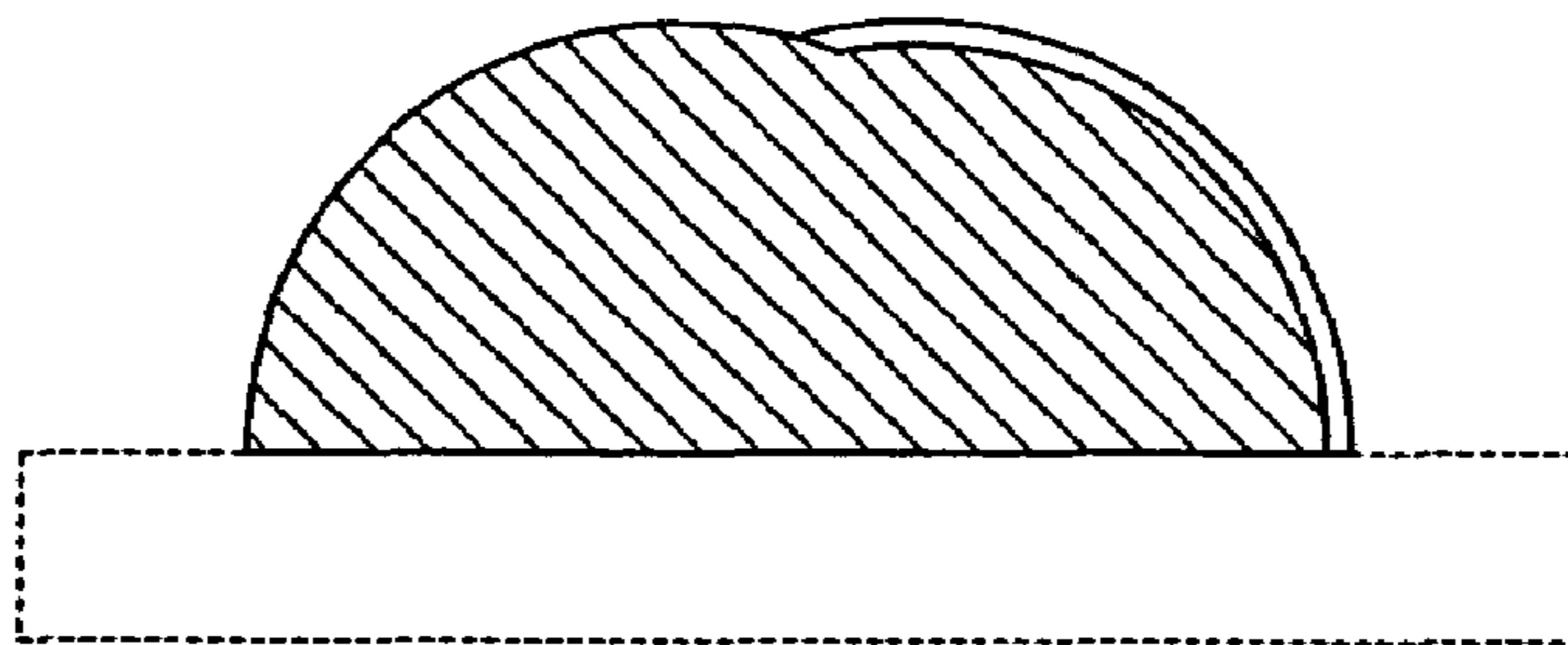


FIG. 9

