



US00D602611S

(12) **United States Design Patent**  
**Truss et al.**

(10) **Patent No.:** **US D602,611 S**  
(45) **Date of Patent:** **\*\* Oct. 20, 2009**

(54) **S-TYPE ROOF TILE**

2002/0100237 A1 8/2002 Ramon-Borja  
2005/0086891 A1 4/2005 Gambale

(75) Inventors: **Andrew Truss**, West Sussex (GB);  
**Cassian Barber**, Sussex (GB)

FOREIGN PATENT DOCUMENTS

(73) Assignee: **Monier Technical Centre Ltd.** (GB)

DE 25 58 216 6/1977  
DE 30 25 813 2/1982  
FR 2 497 531 7/1982  
WO 95/13441 5/1995

(\*\*) Term: **14 Years**

\* cited by examiner

(21) Appl. No.: **29/306,660**

*Primary Examiner*—Catherine R Oliver

(22) Filed: **Apr. 14, 2008**

(74) *Attorney, Agent, or Firm*—Ostrolenk Faber LLP

(51) **LOC (9) Cl.** ..... **25-01**

(57) **CLAIM**

(52) **U.S. Cl.** ..... **D25/140**

(58) **Field of Classification Search** ..... D25/141,  
D25/138-140; 52/588.1, 582.1, 583.1, 518-520,  
52/537, 541-542, 554-555, 560, 100, 549  
See application file for complete search history.

The ornamental design for an S-type roof tile, as shown and described.

**DESCRIPTION**

(56) **References Cited**

U.S. PATENT DOCUMENTS

787,474 A 4/1905 Sharp  
1,699,213 A 1/1929 Statler  
218,540 A 8/1970 Powel  
D218,540 S \* 8/1970 Powel ..... D25/140  
4,040,211 A \* 8/1977 Wotherspoon ..... 52/555  
4,145,860 A 3/1979 Wotherspoon  
4,783,944 A 11/1988 Mendez  
4,949,522 A 8/1990 Harada  
5,048,255 A 9/1991 Gonzales  
6,658,807 B2 12/2003 Gambale  
D542,942 S \* 5/2007 Wilkinson ..... D25/141  
7,320,774 B2 1/2008 Simmons et al.  
D562,470 S \* 2/2008 Shepherd et al. .... D25/141  
D574,973 S \* 8/2008 Simmons ..... D25/140

FIG. 1 is a top perspective view of an S-type roof tile embodying the new design;

FIG. 2 is a bottom perspective view taken from the rear end thereof;

FIG. 3 is a bottom perspective view taken from the front end thereof;

FIG. 4 is a top plan view thereof;

FIG. 5 is a left side view thereof;

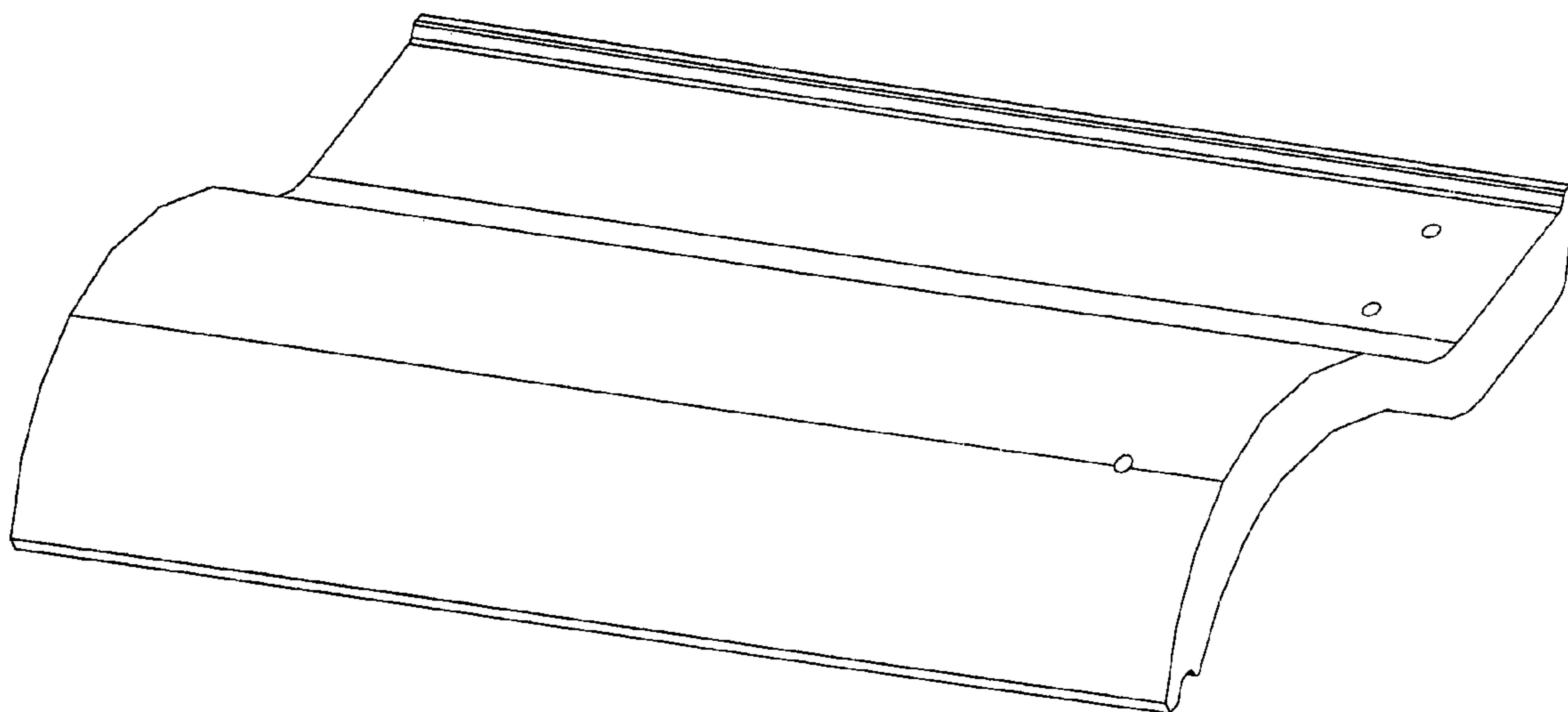
FIG. 6 is a right side view thereof;

FIG. 7 is a front view thereof;

FIG. 8 is a rear view thereof; and,

FIG. 9 is a bottom plan view thereof.

**1 Claim, 9 Drawing Sheets**



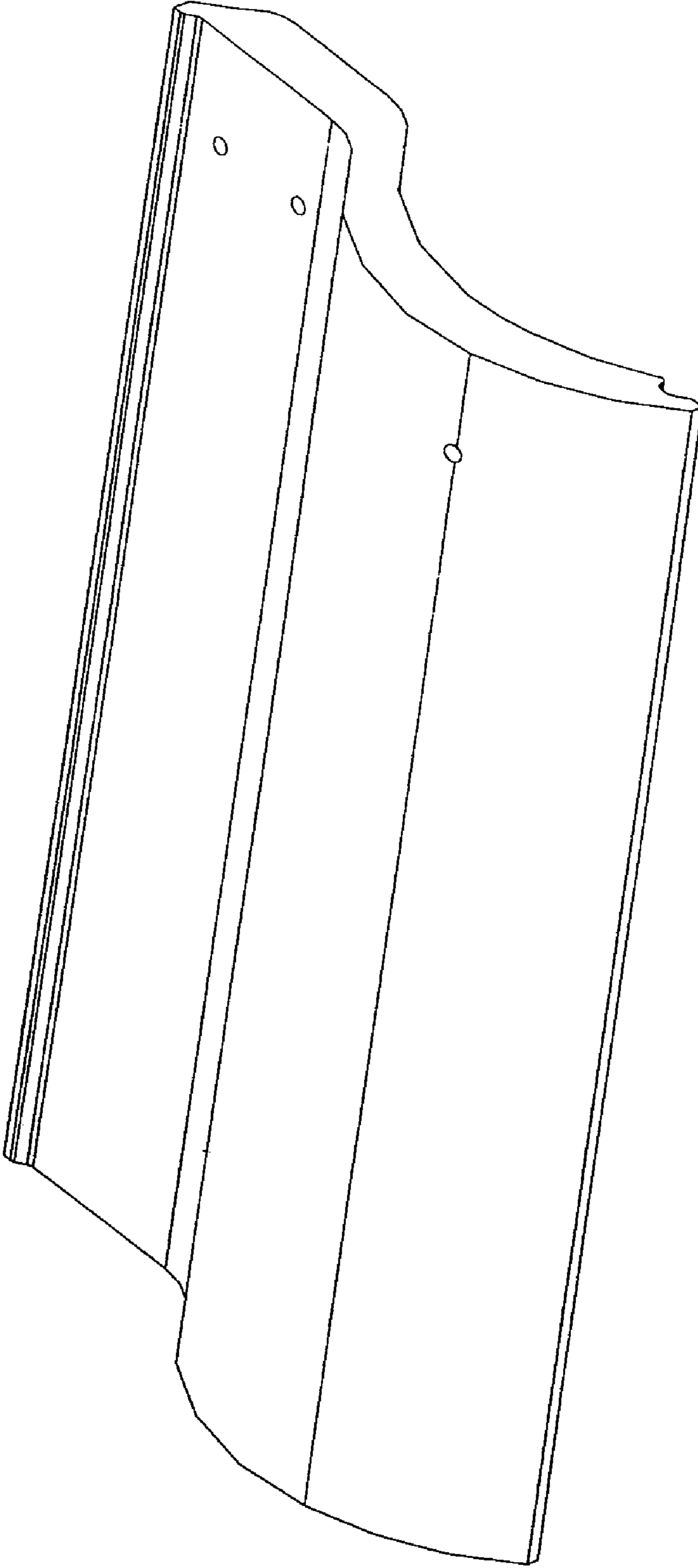


FIG. 1

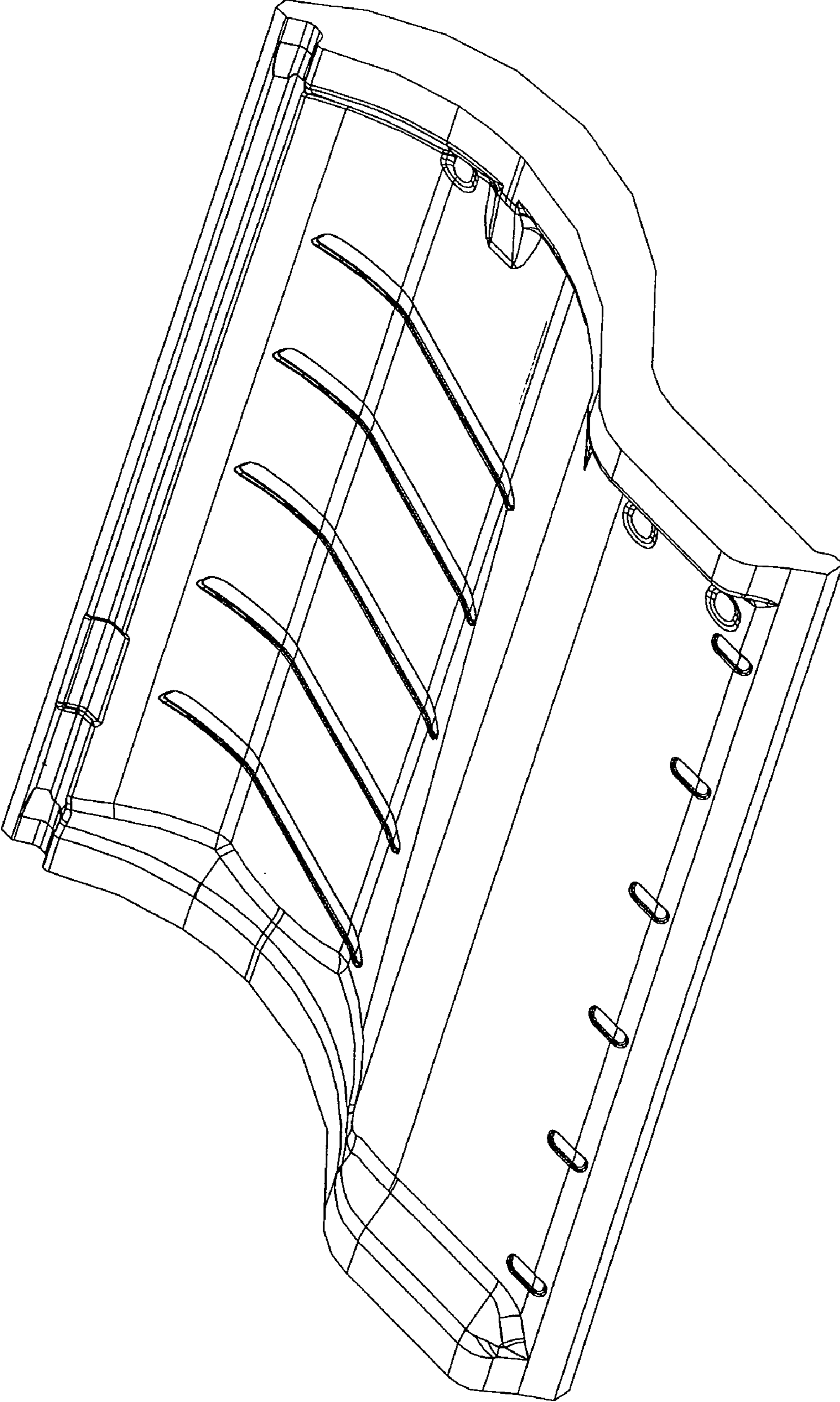


FIG. 2

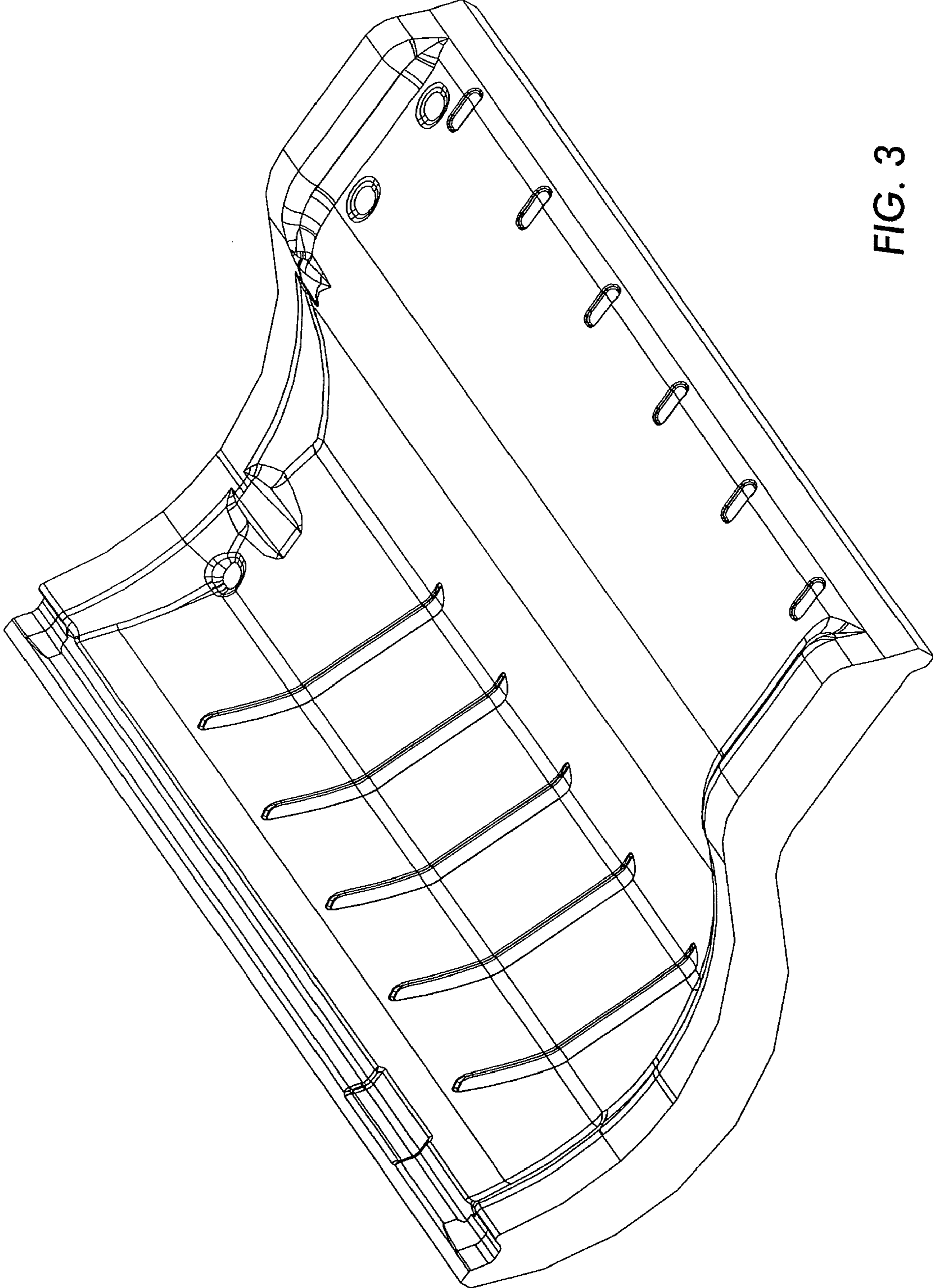


FIG. 3

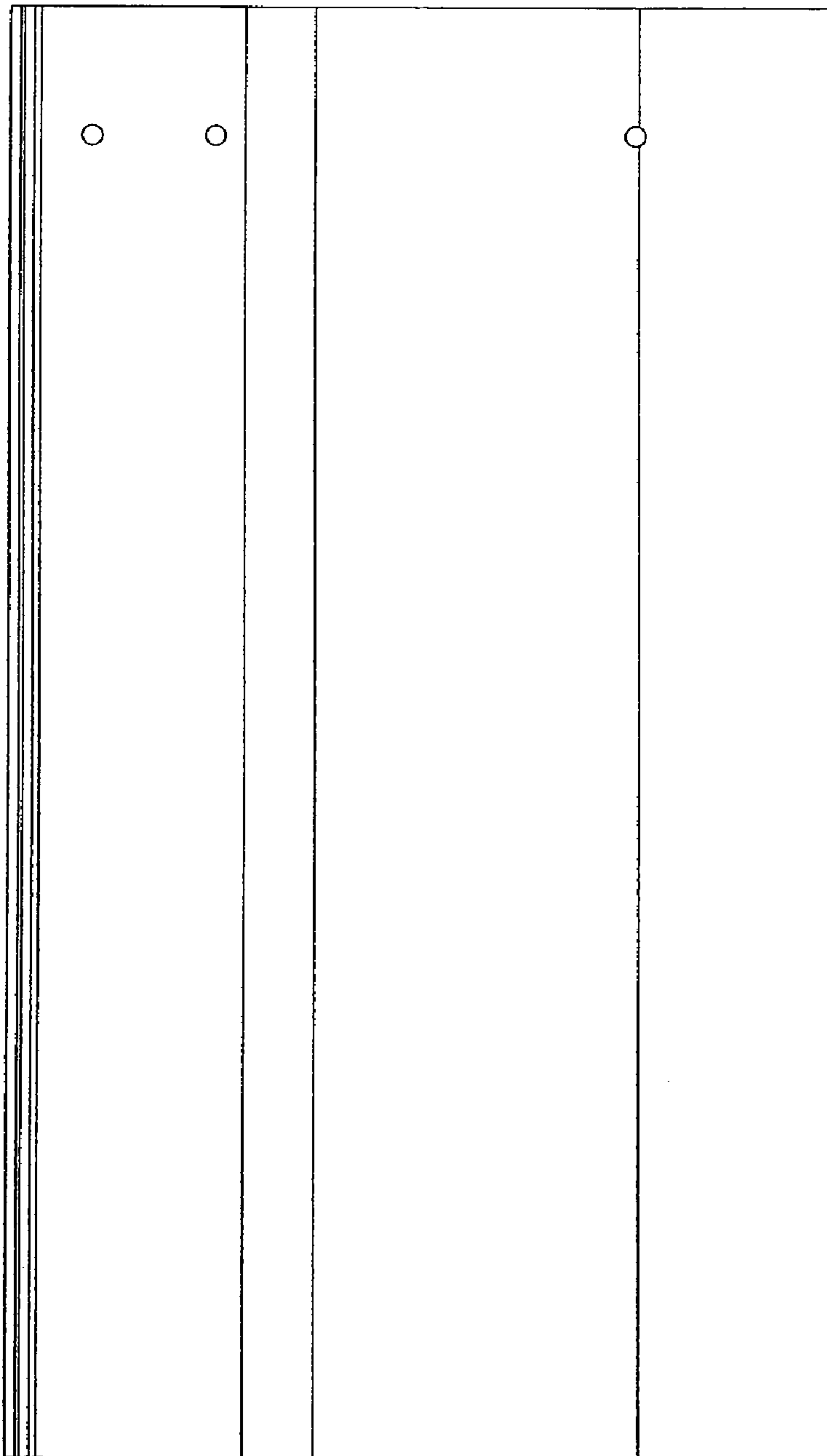


FIG. 4

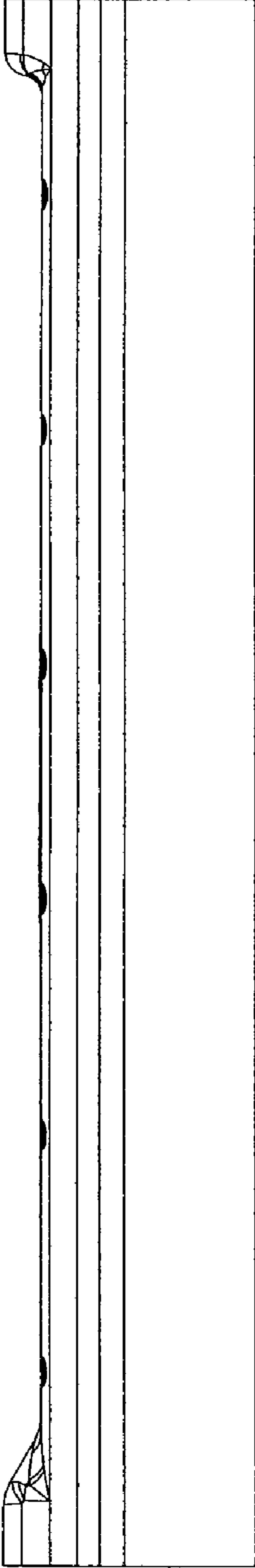


FIG. 5

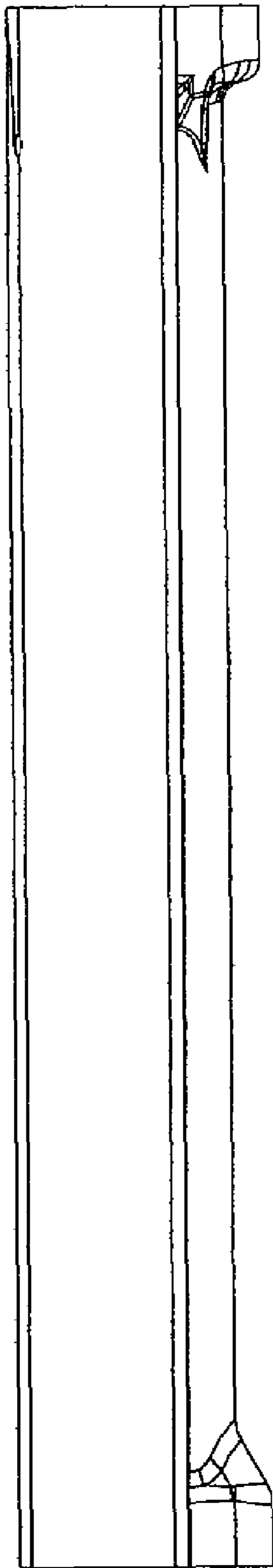


FIG. 6

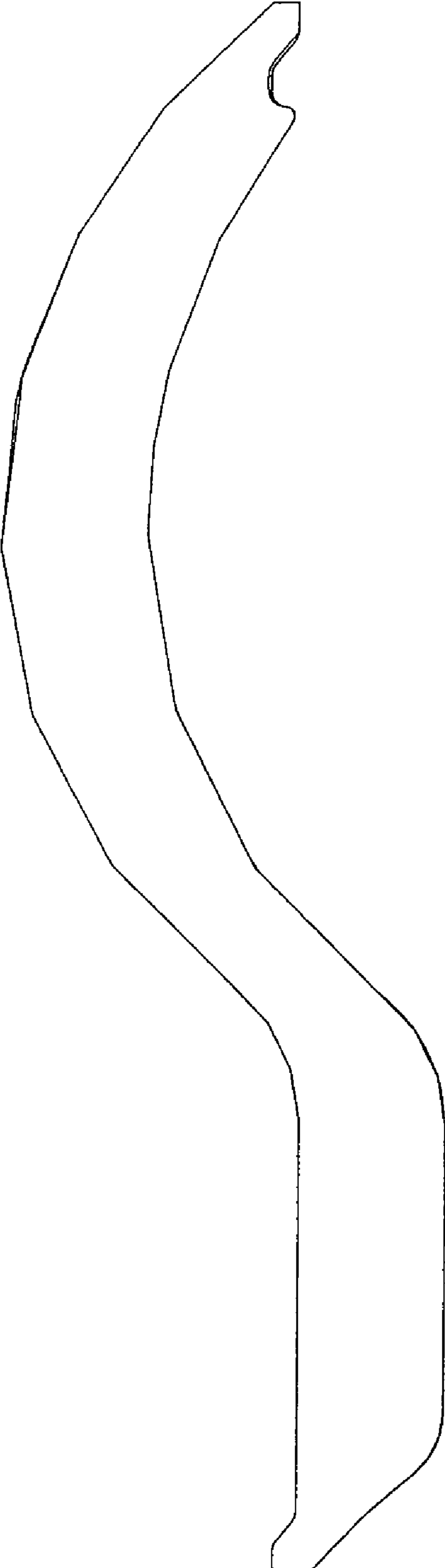


FIG. 7



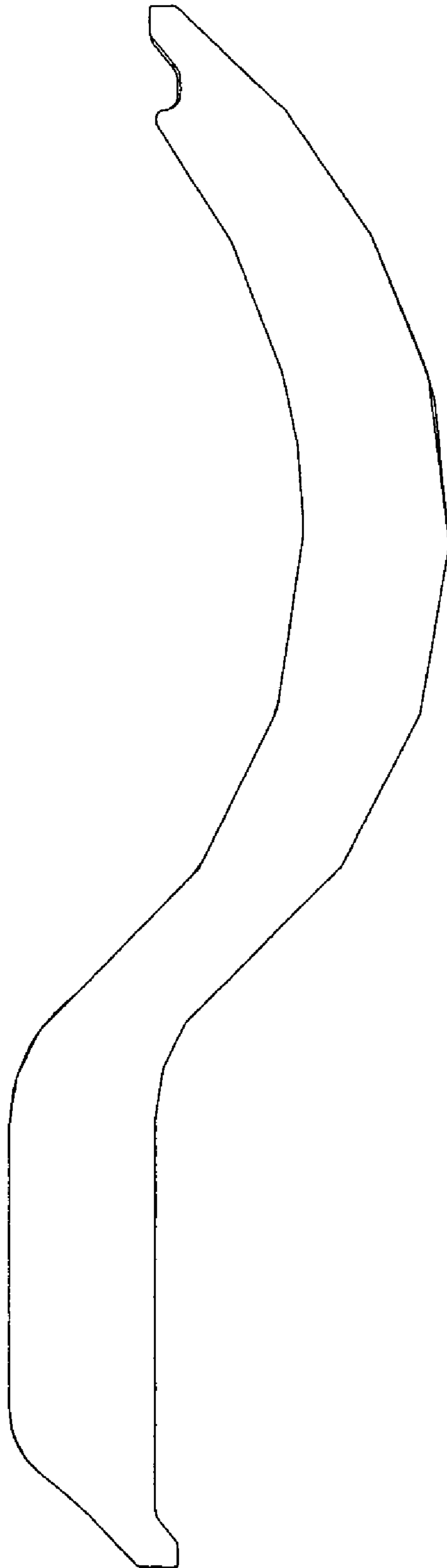


FIG. 8

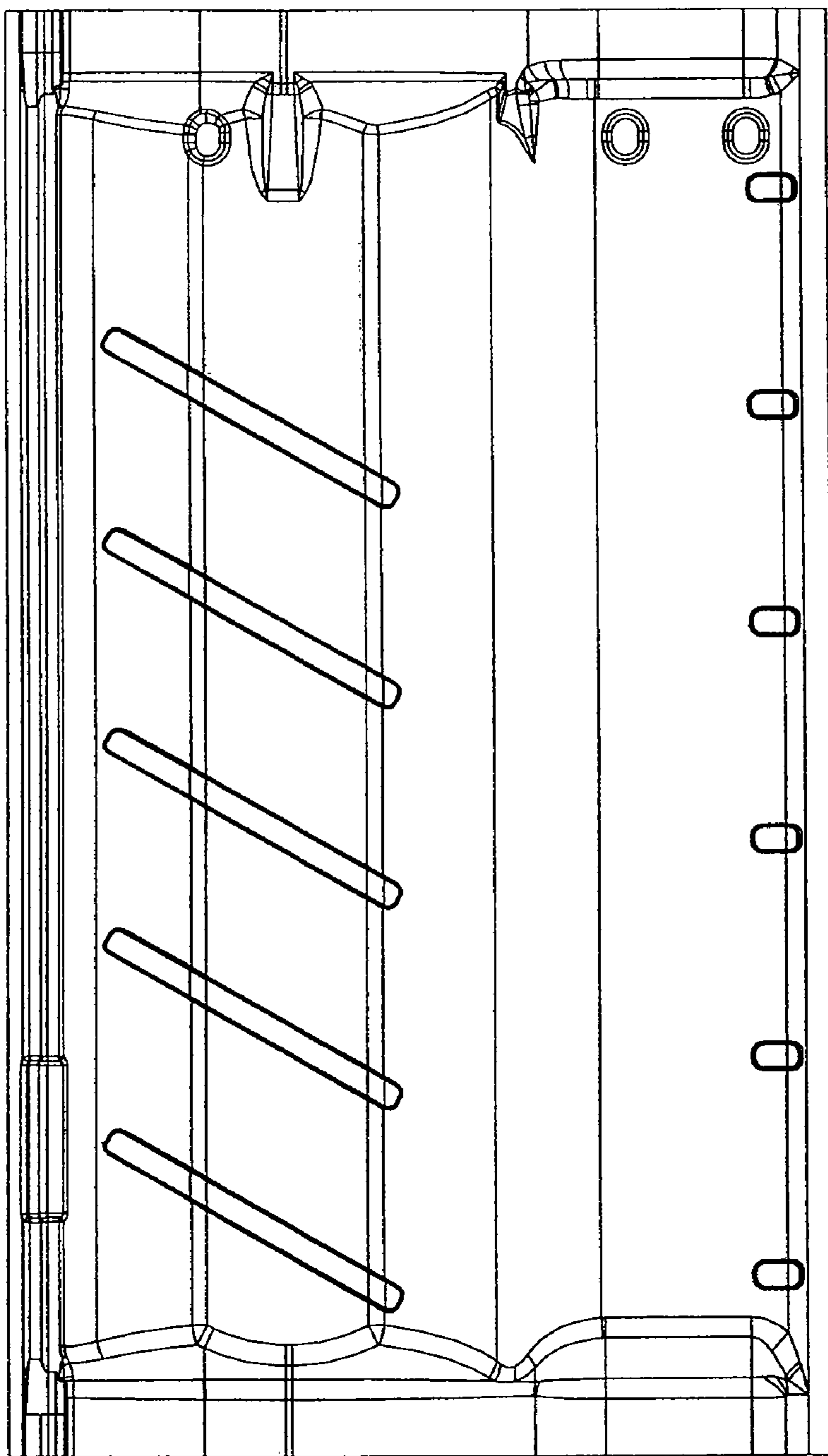


FIG. 9