



US00D602602S

(12) **United States Design Patent**  
**Sears**

(10) **Patent No.:** **US D602,602 S**  
(45) **Date of Patent:** **\*\* Oct. 20, 2009**

(54) **PERGOLA ROOF SUPPORT STRUCTURE**

(74) *Attorney, Agent, or Firm*—General Counsel, P.C.

(76) **Inventor:** **Ernest Halsey Sears**, 13902 Napa Dr.,  
Manassas, VA (US) 20112

(57) **CLAIM**

The ornamental design for a pergola roof support structure design, as shown and described.

(\*\*) **Term:** **14 Years**

(21) **Appl. No.:** **29/327,118**

**DESCRIPTION**

(22) **Filed:** **Oct. 30, 2008**

FIG. 1 is a front, elevation view of a new pergola roof support structure design.

(51) **LOC (9) Cl.** ..... **25-02**

FIG. 2 is a top, plan view of said pergola roof support structure design.

(52) **U.S. Cl.** ..... **D25/57**

(58) **Field of Classification Search** ..... D25/57;  
52/78, 75, 198, 95; 160/19, 32, 38, 61  
See application file for complete search history.

FIG. 3 is an enlarged partial, top, plan view of said pergola roof support structure design.

FIG. 4 is an enlarged partial, side, plan view of said pergola roof support structure design.

(56) **References Cited**

**U.S. PATENT DOCUMENTS**

4,541,214	A *	9/1985	Lambert	.....	52/473
D293,934	S *	1/1988	Lambert et al.	.....	D25/57
2005/0198918	A1 *	9/2005	Wang	.....	52/198
2007/0227080	A1 *	10/2007	Tseng	.....	52/78

FIG. 5 is an enlarged partial, front, plan view of said pergola roof support structure design; and,

FIG. 6 is an enlarged partial, perspective view of said pergola roof support structure design.

The broken lines are for illustrative purposes only and form no part of the claimed design.

\* cited by examiner

*Primary Examiner*—Doris Clark

**1 Claim, 6 Drawing Sheets**

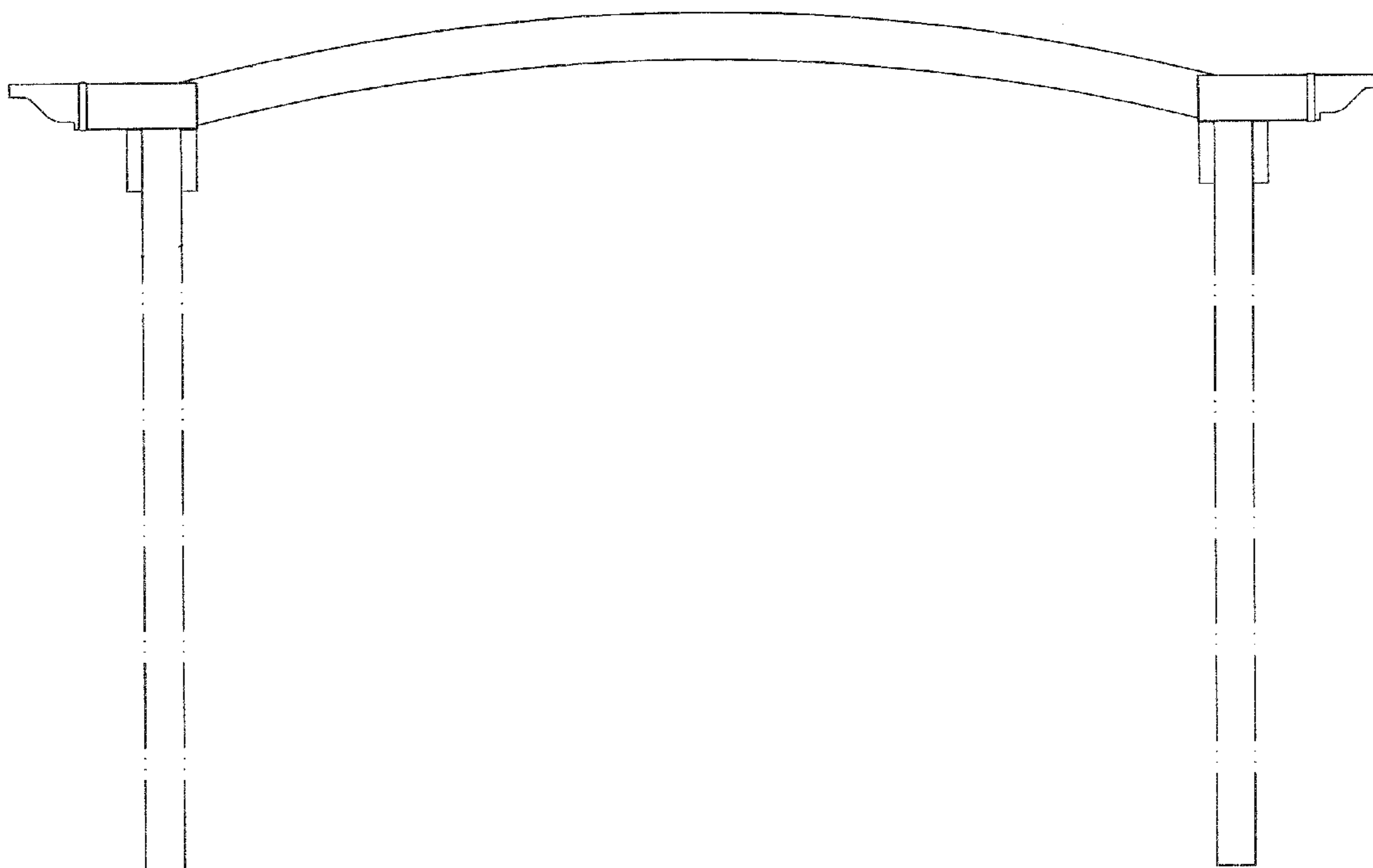


FIG. 1

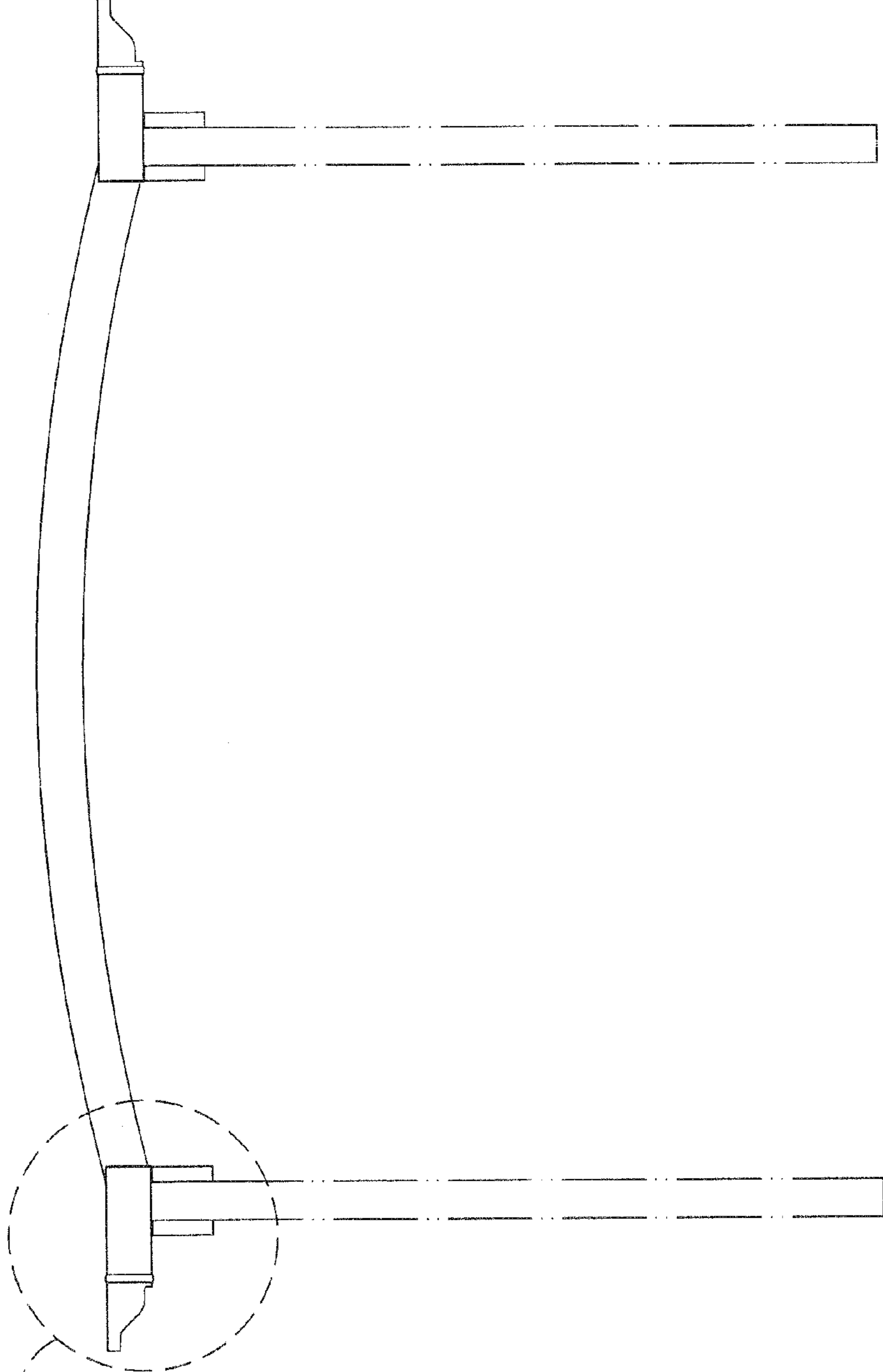


FIG. 5

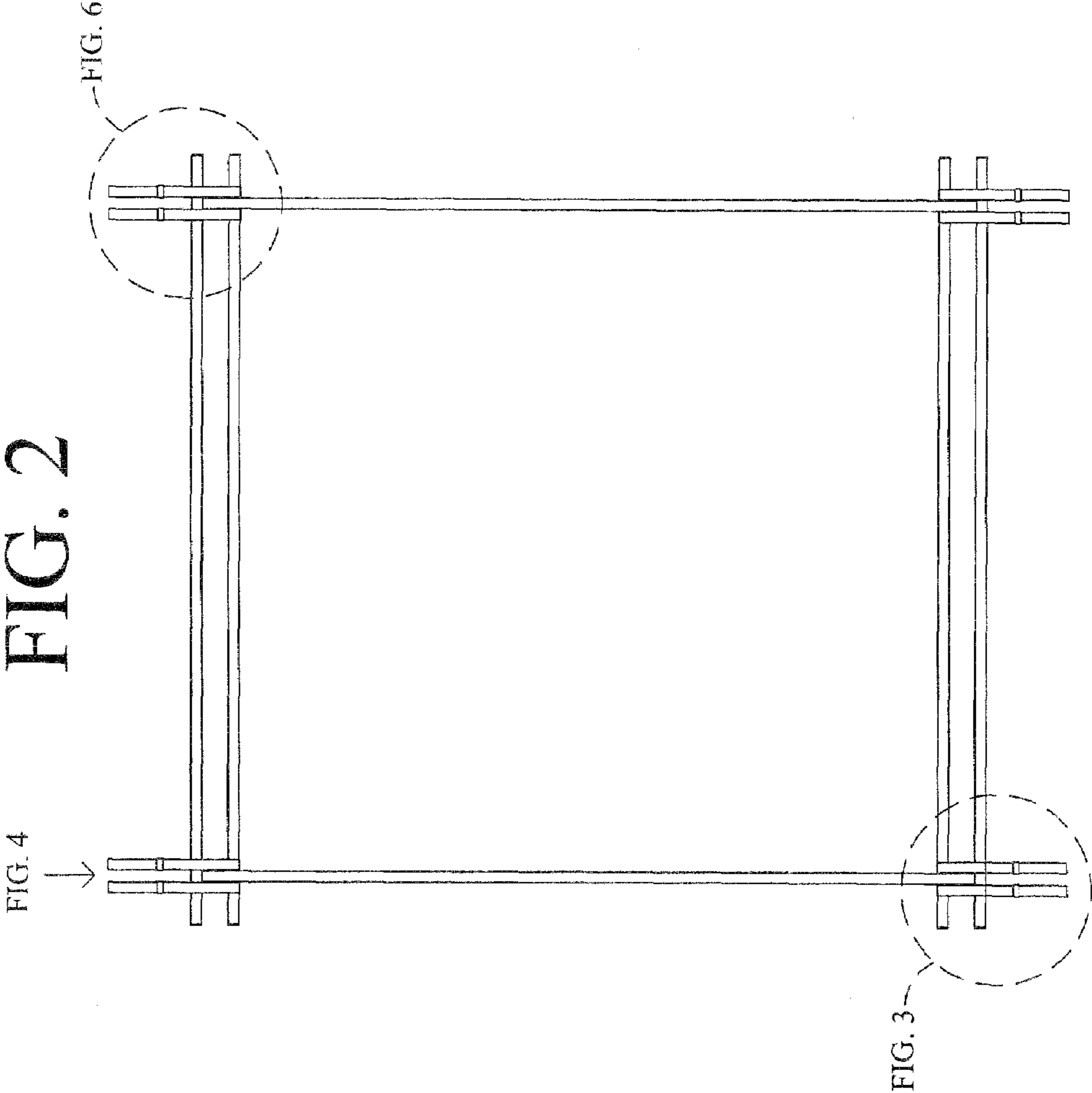


FIG. 3

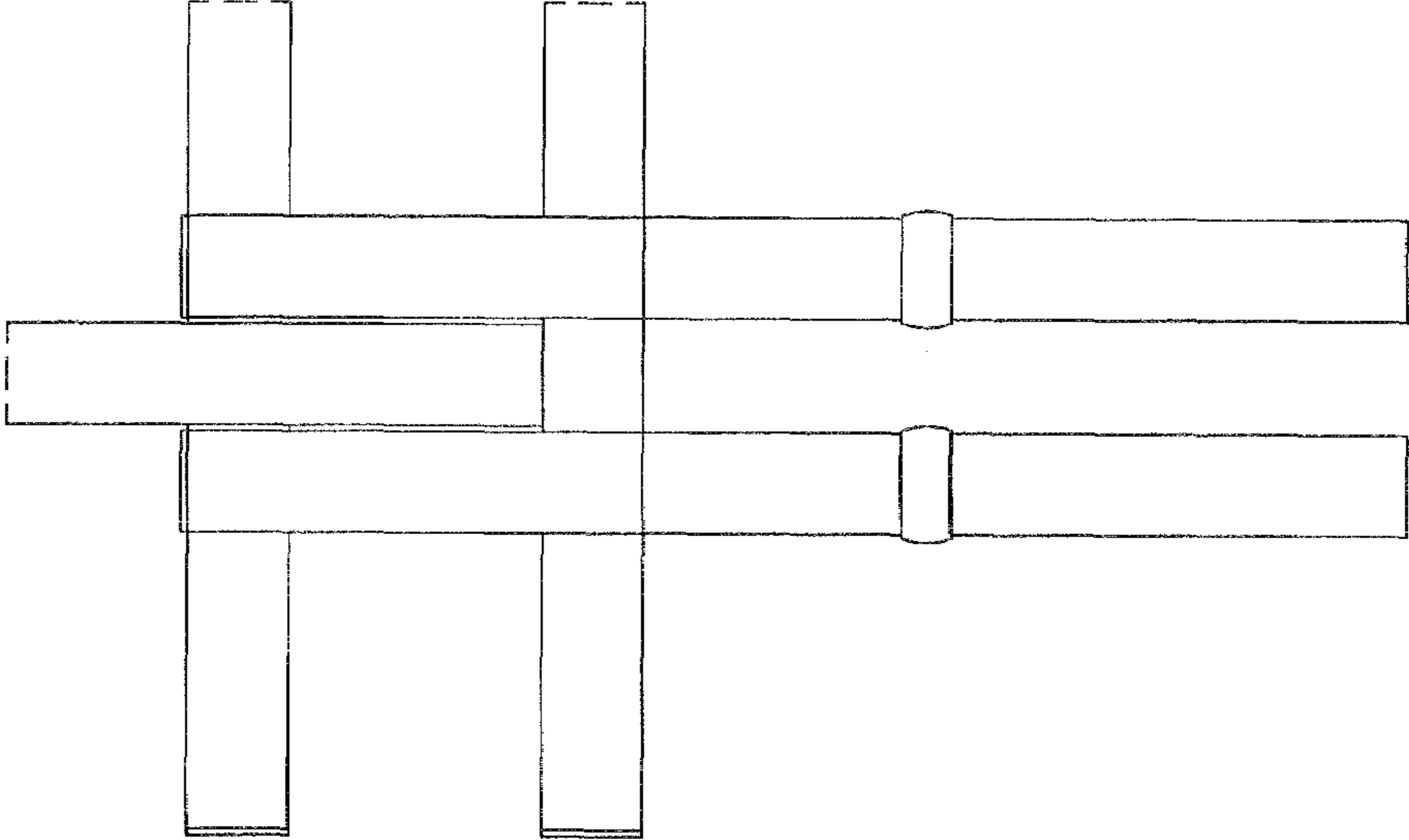


FIG. 4

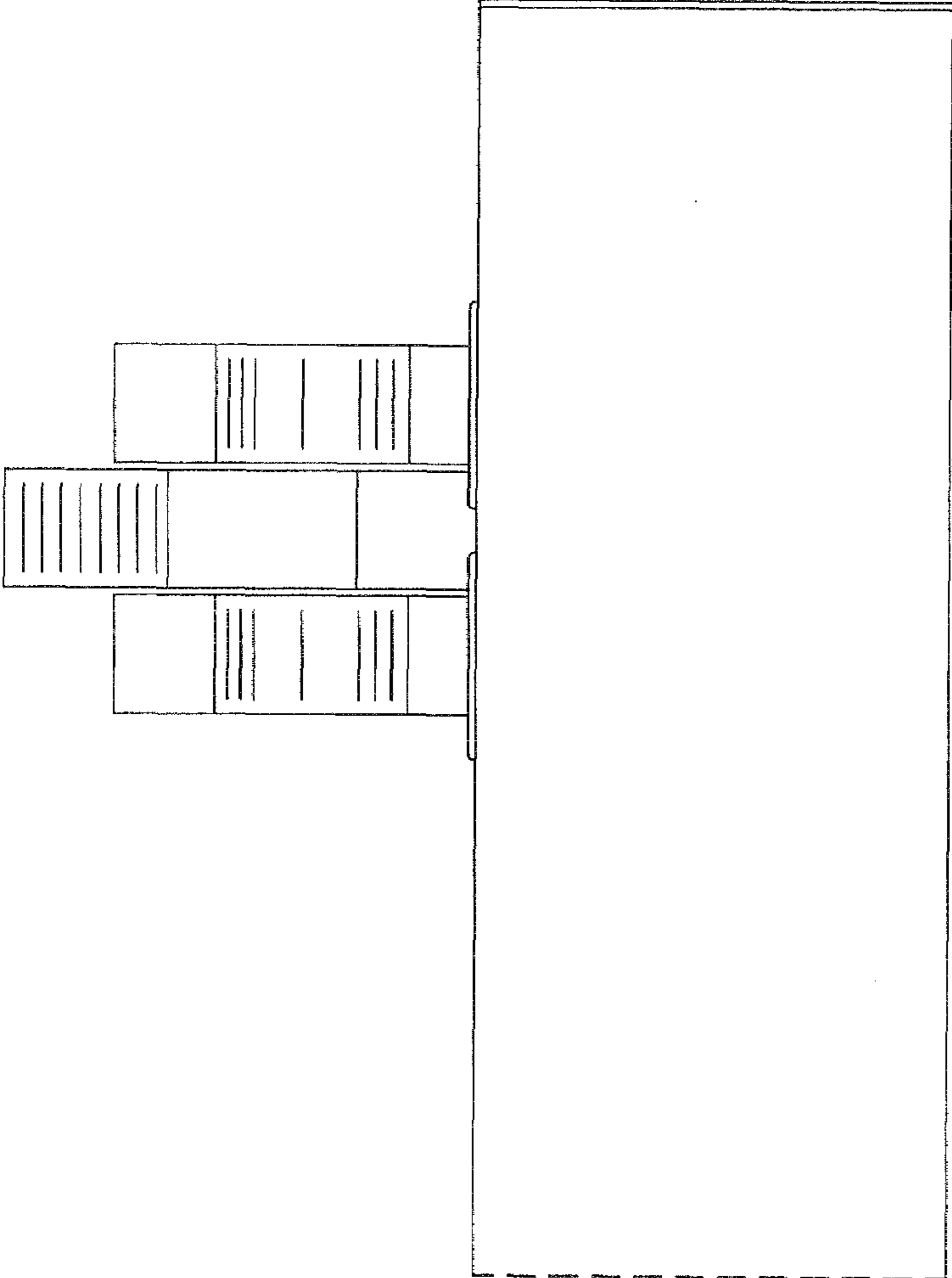


FIG. 5

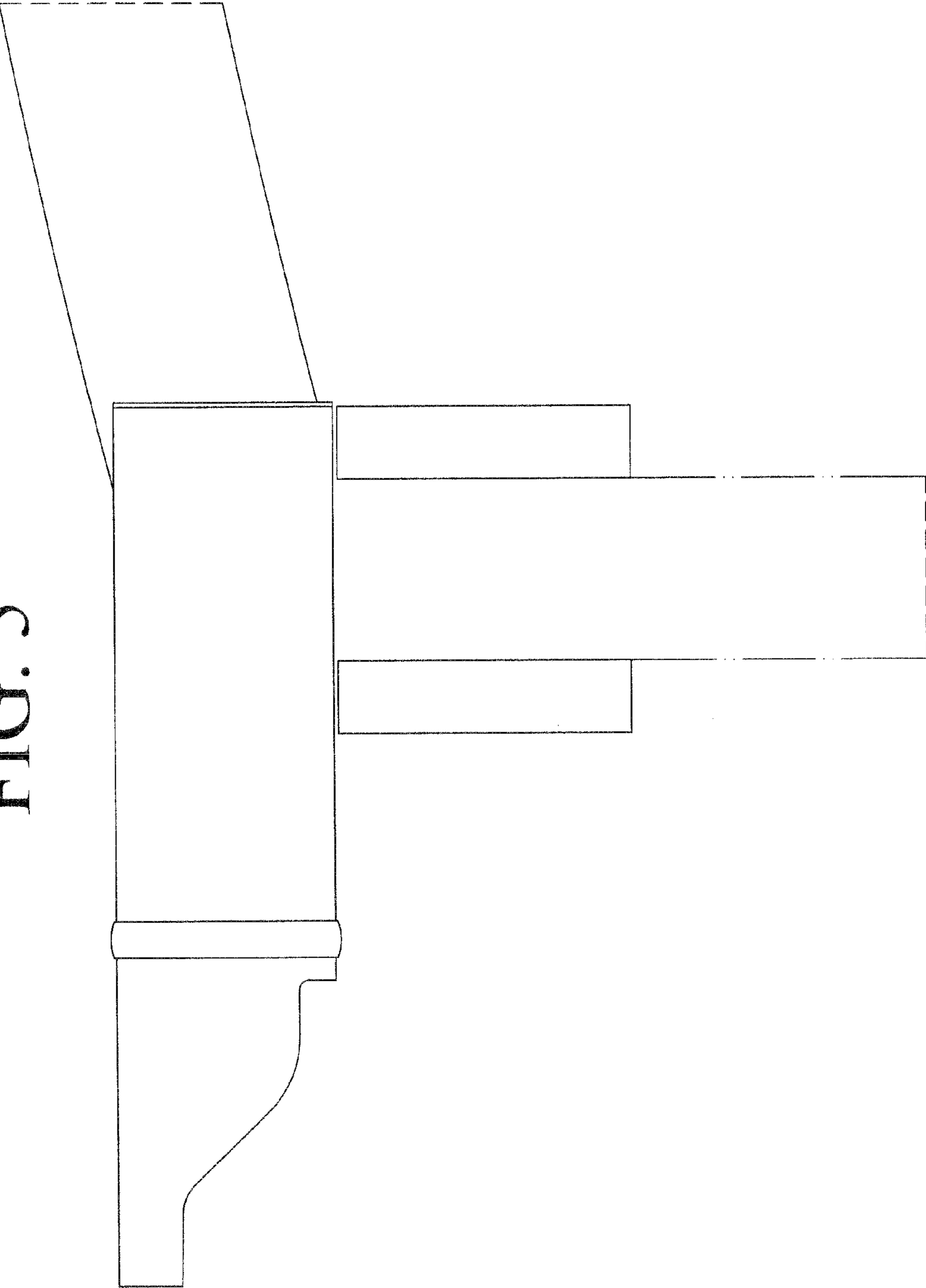


FIG. 6

