



US00D602601S

(12) **United States Design Patent**
Cappone

(10) **Patent No.:** **US D602,601 S**

(45) **Date of Patent:** **** Oct. 20, 2009**

(54) **OPEN SHED ATTACHMENT**

D513,804 S * 1/2006 Allin D25/57

(75) Inventor: **Xavier Cappone**, Moirans en Montagne (FR)

* cited by examiner

Primary Examiner—Doris Clark

(73) Assignee: **Grosfillex SAS**, Oyonnax (FR)

(74) *Attorney, Agent, or Firm*—Dowell & Dowell, P.C.

(**) Term: **14 Years**

(57) **CLAIM**

(21) Appl. No.: **29/290,950**

The ornamental design for an open shed attachment, as shown and described.

(22) Filed: **Feb. 1, 2008**

DESCRIPTION

(30) **Foreign Application Priority Data**

Aug. 2, 2007 (EM) 000768684

FIG. 1 is a front perspective view of an open shed attachment showing my new design;

(51) **LOC (9) Cl.** **25-02**

FIG. 2 is a front elevational view thereof;

(52) **U.S. Cl.** **D25/57; D25/56**

FIG. 3 is a rear elevational view thereof;

(58) **Field of Classification Search** D25/56,
D25/57; 160/19, 46, 45, 50; 52/23, 74, 75,
52/76

FIG. 4 is a right side view thereof;

FIG. 5 is a left side view thereof;

See application file for complete search history.

FIG. 6 is top plan view thereof;

FIG. 7 is a bottom plan view thereof; and,

FIG. 8 is a front perspective view showing the open shed attachment mounted to a shed.

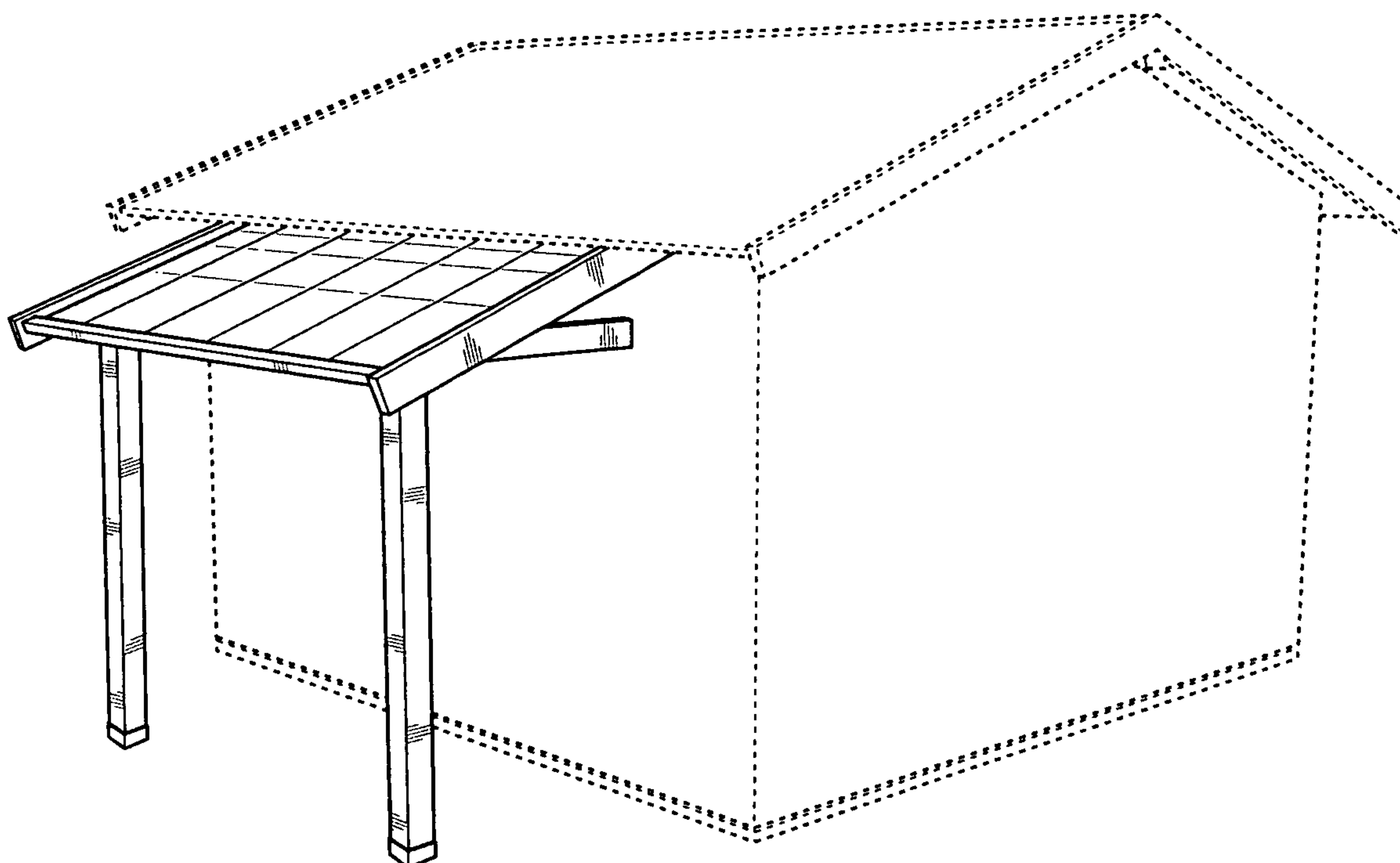
The broken lines are for illustrative purposes only and form no part of the claimed design.

(56) **References Cited**

U.S. PATENT DOCUMENTS

- 3,100,012 A * 8/1963 Dunn 160/89
- 3,720,438 A * 3/1973 Johnson et al. 135/88.1
- 5,794,679 A * 8/1998 Williams et al. 160/46
- D412,993 S * 8/1999 Chipman et al. D25/56

1 Claim, 6 Drawing Sheets



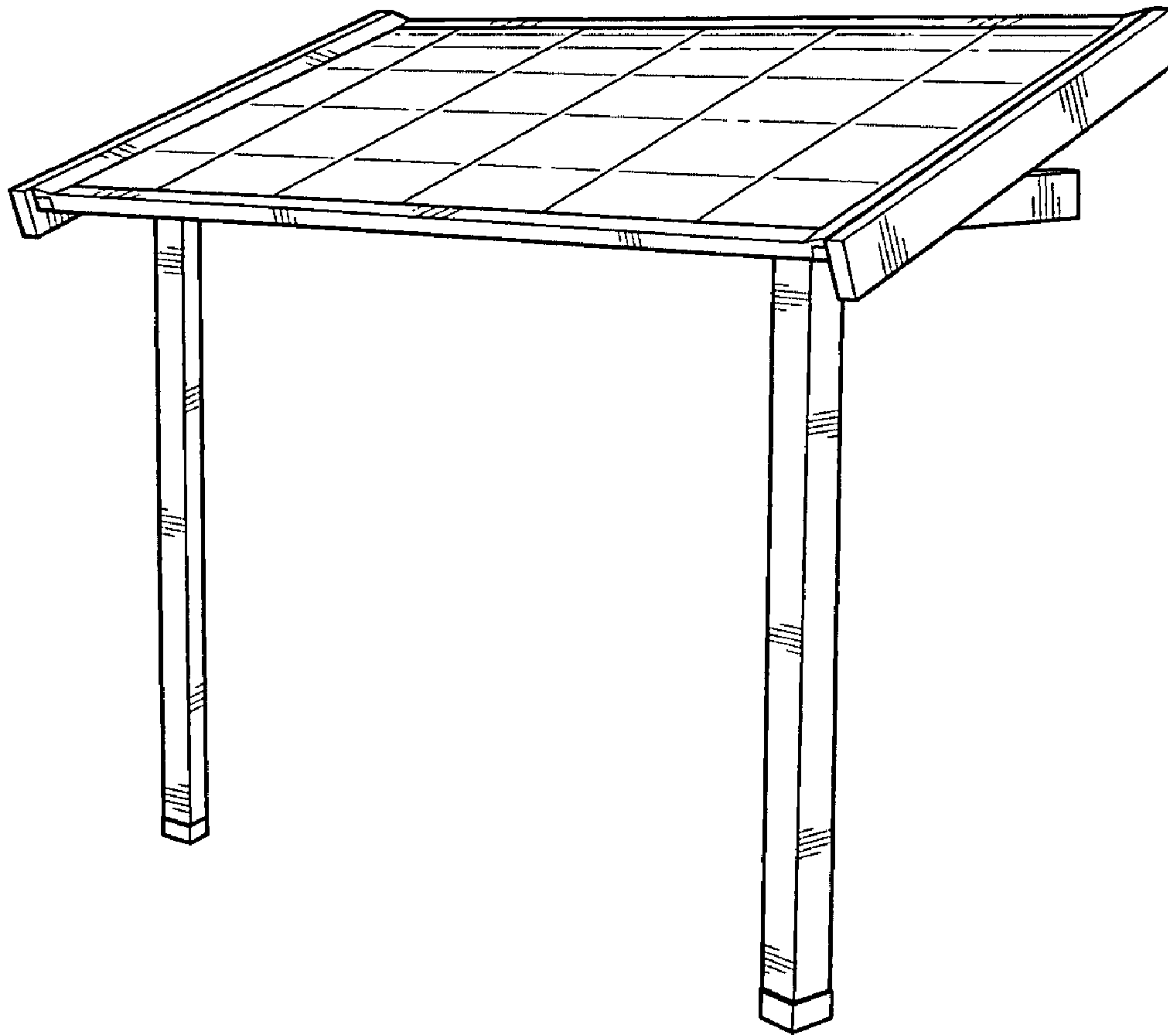


FIG. 1

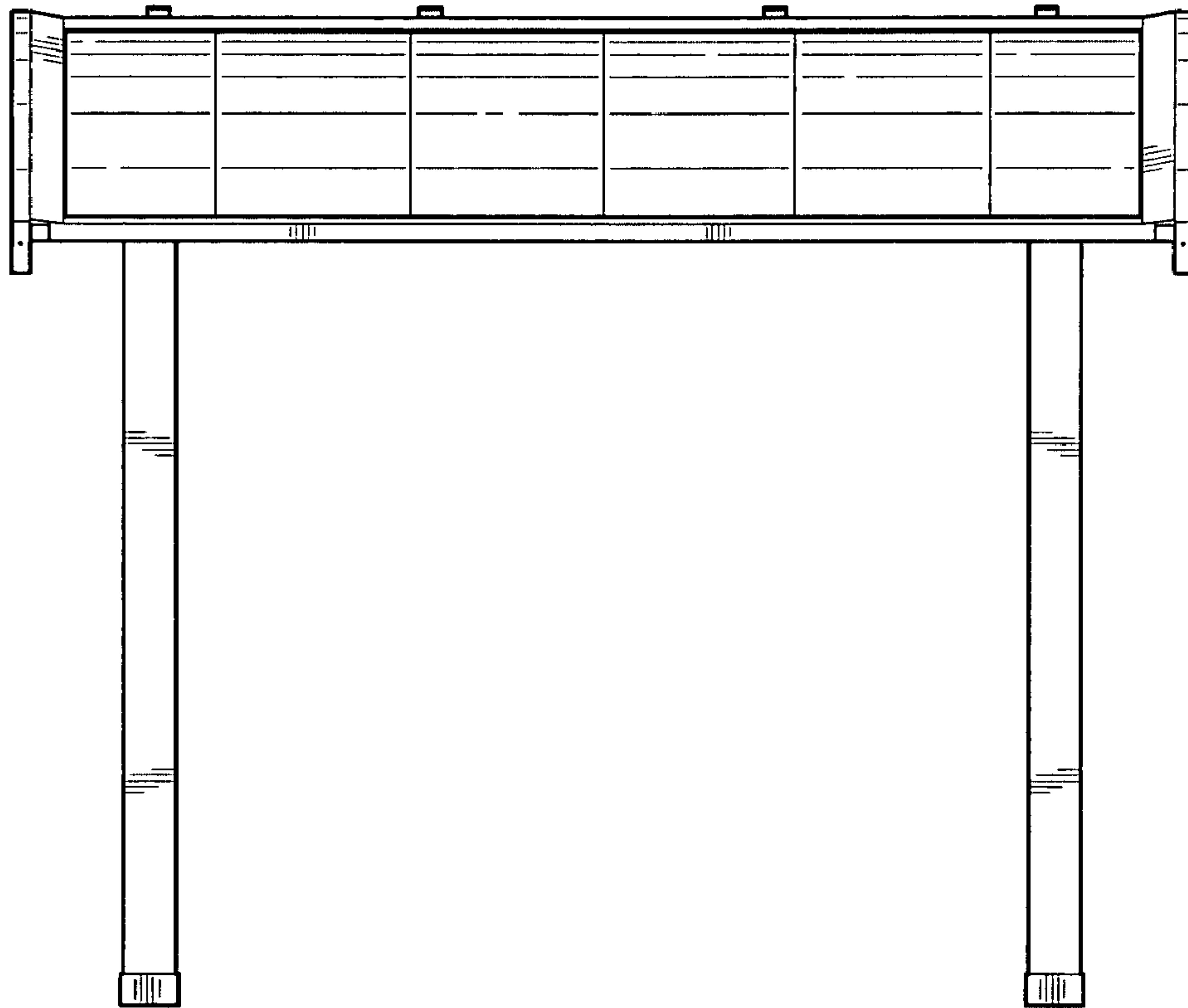


FIG. 2

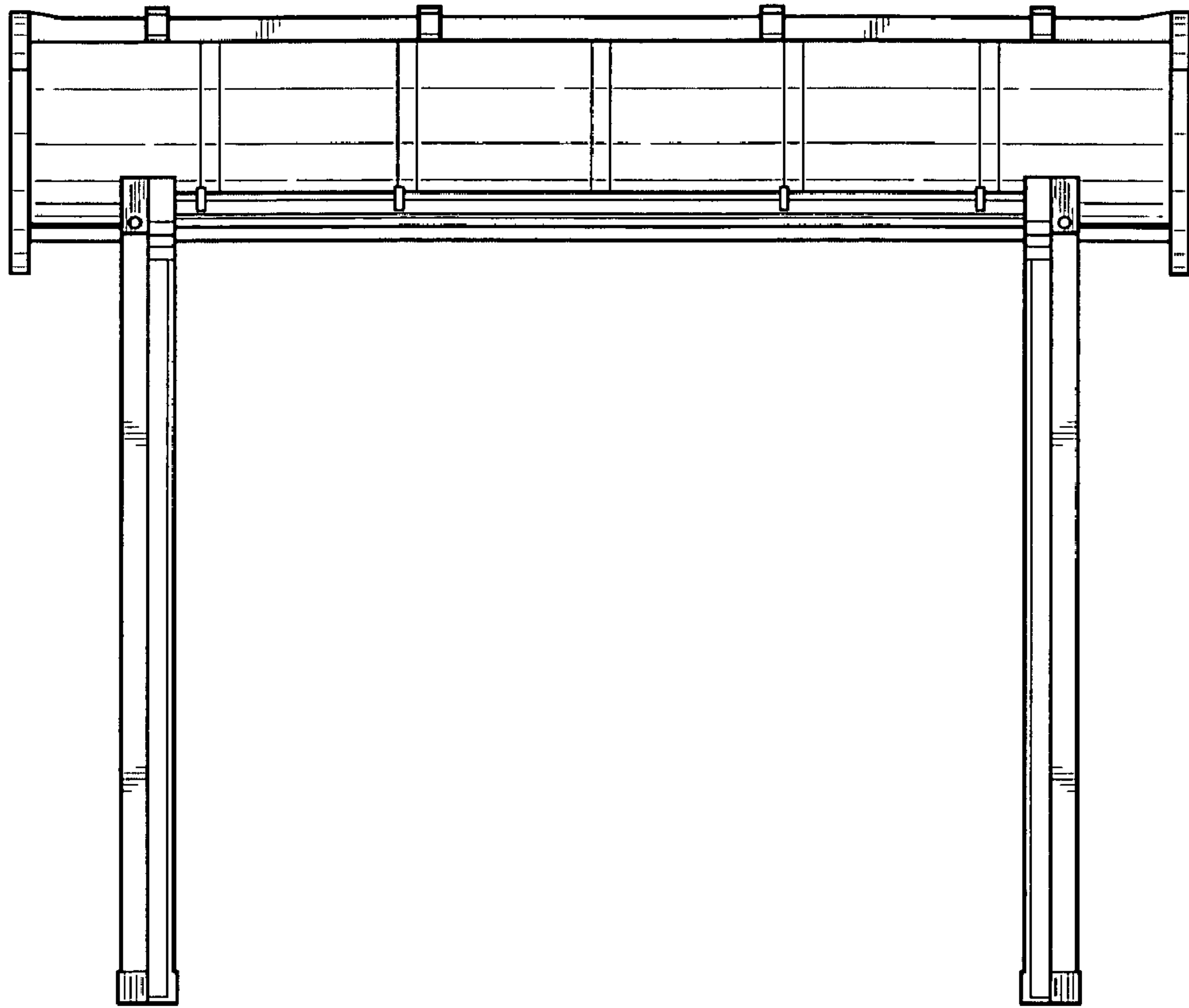


FIG. 3

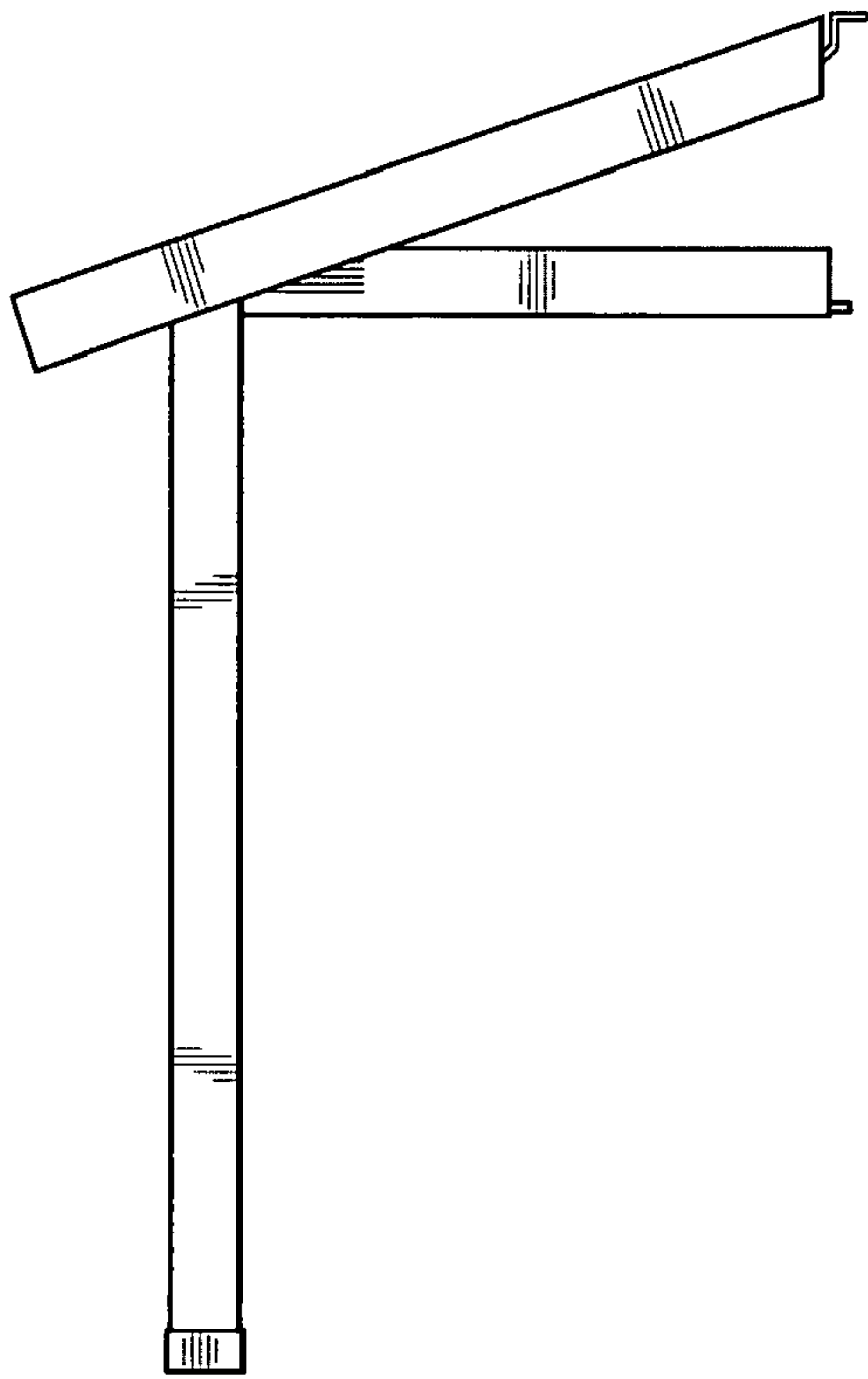


FIG. 4

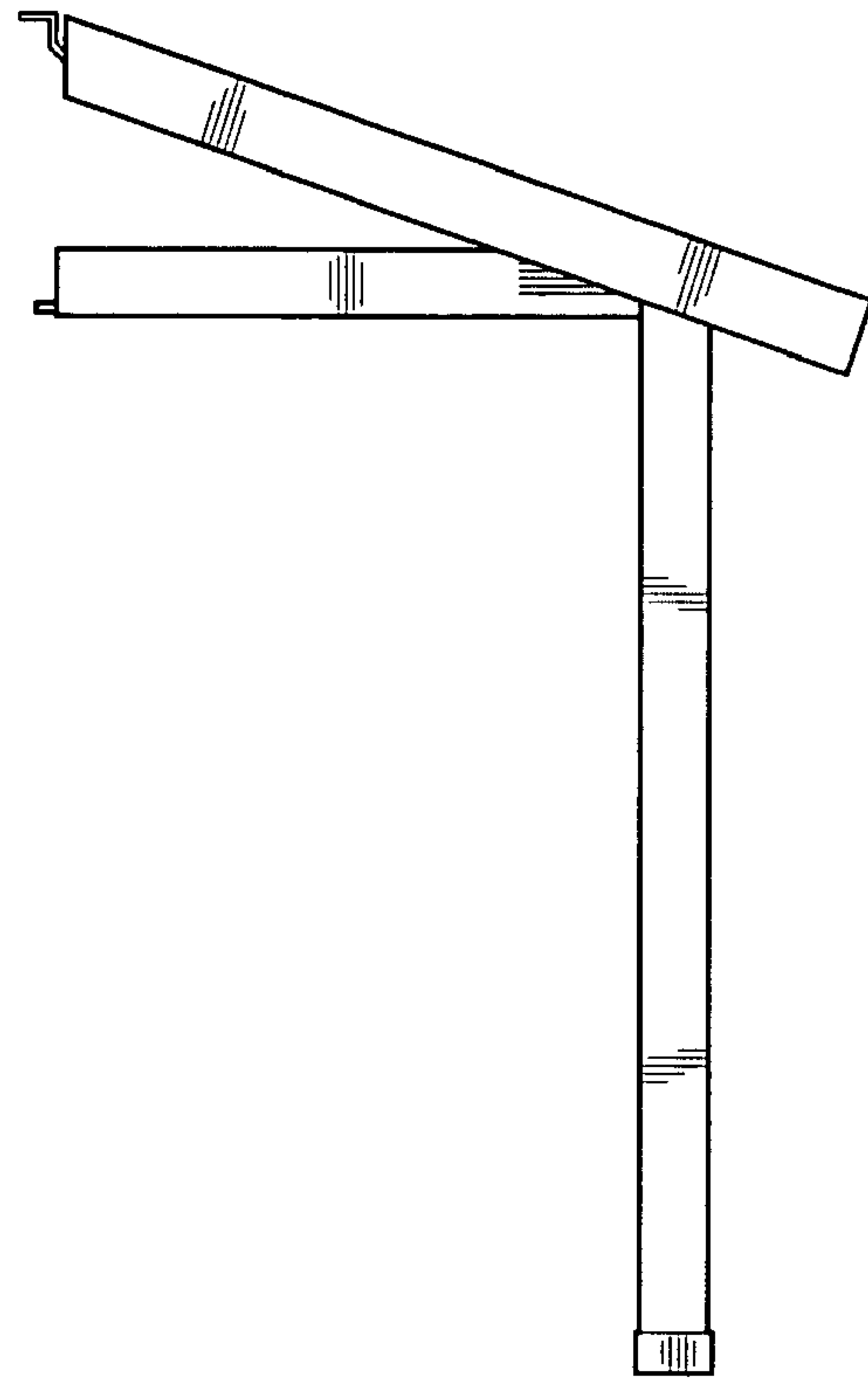


FIG. 5

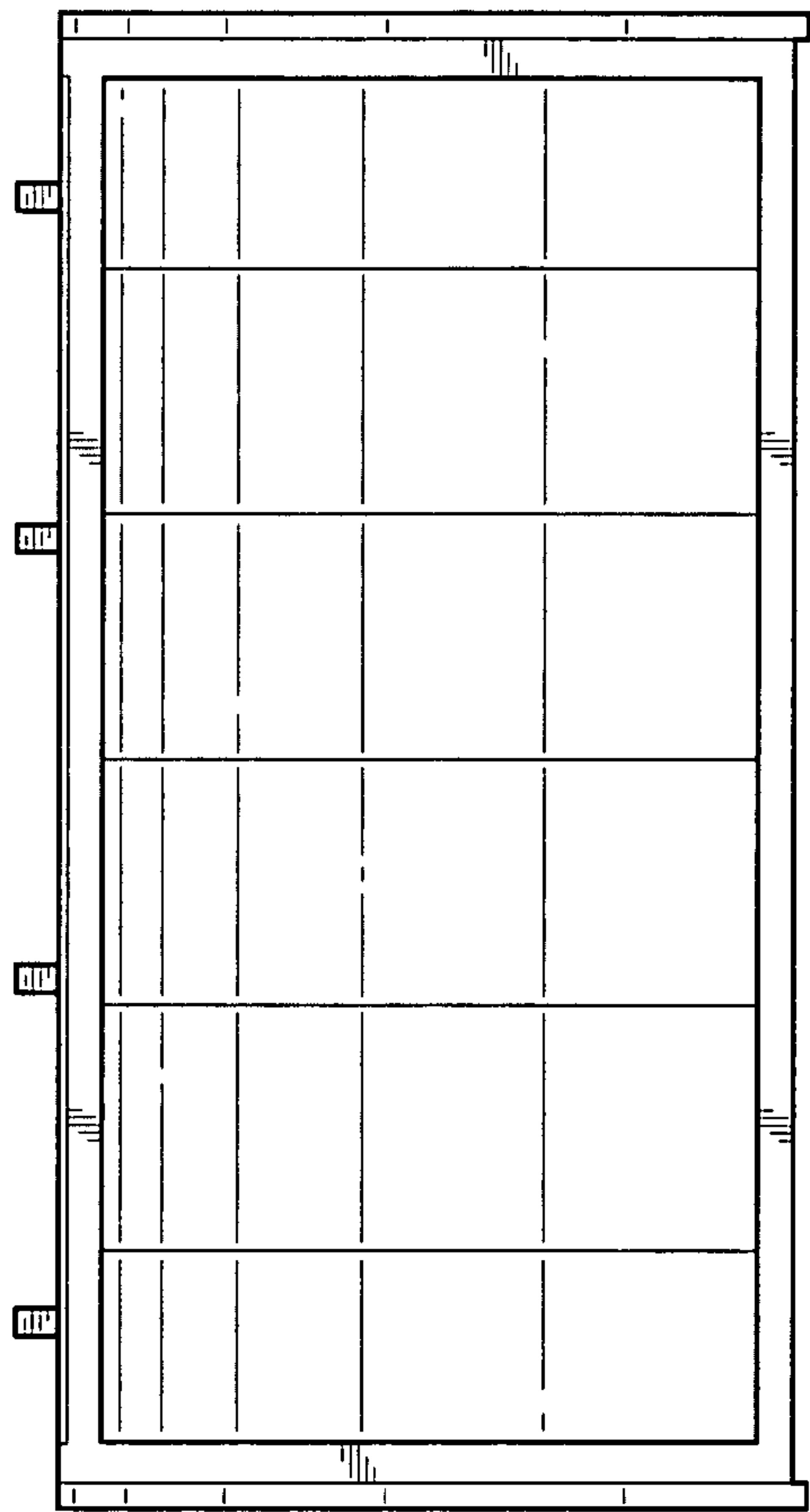


FIG. 6

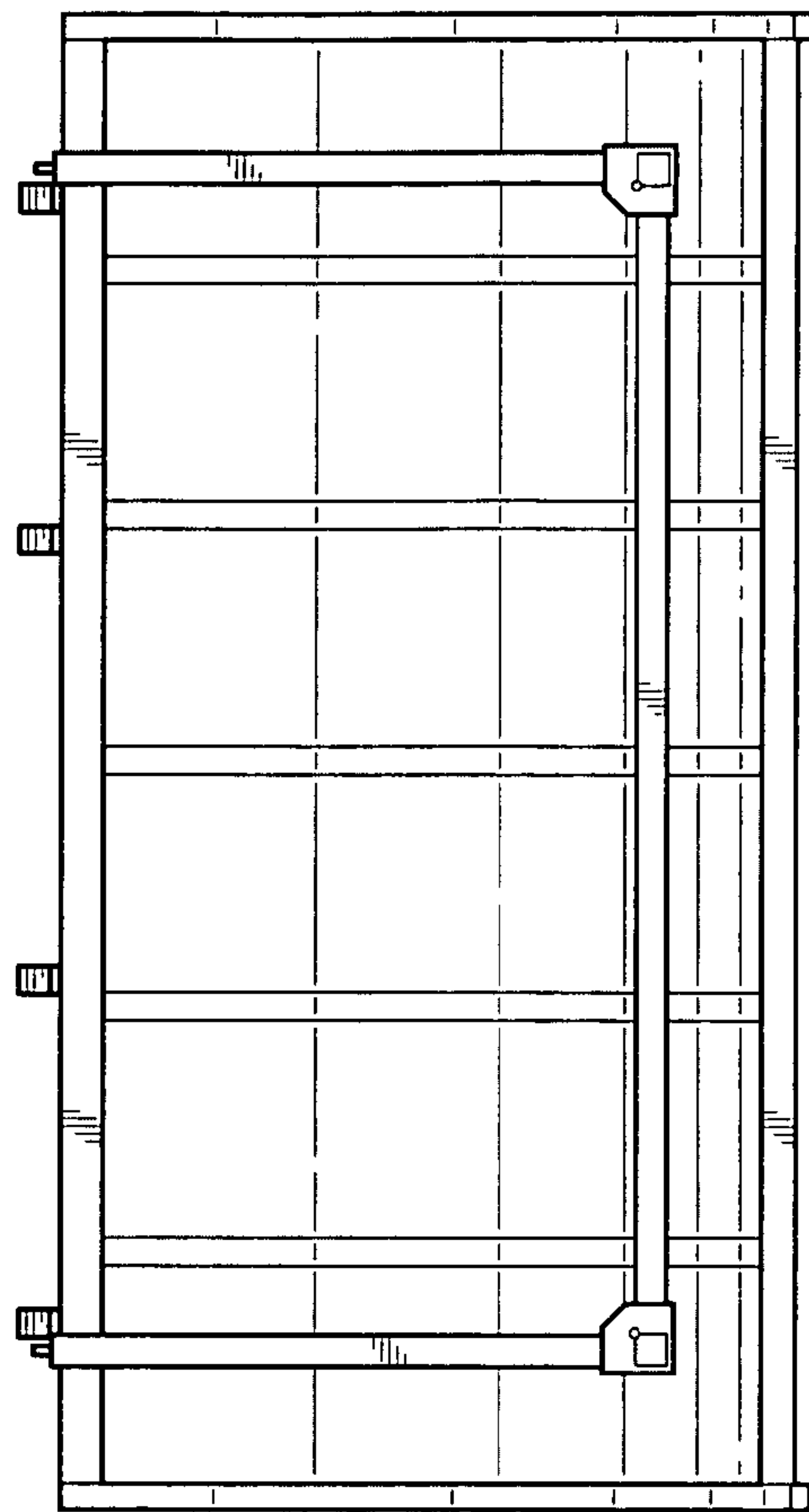


FIG. 7

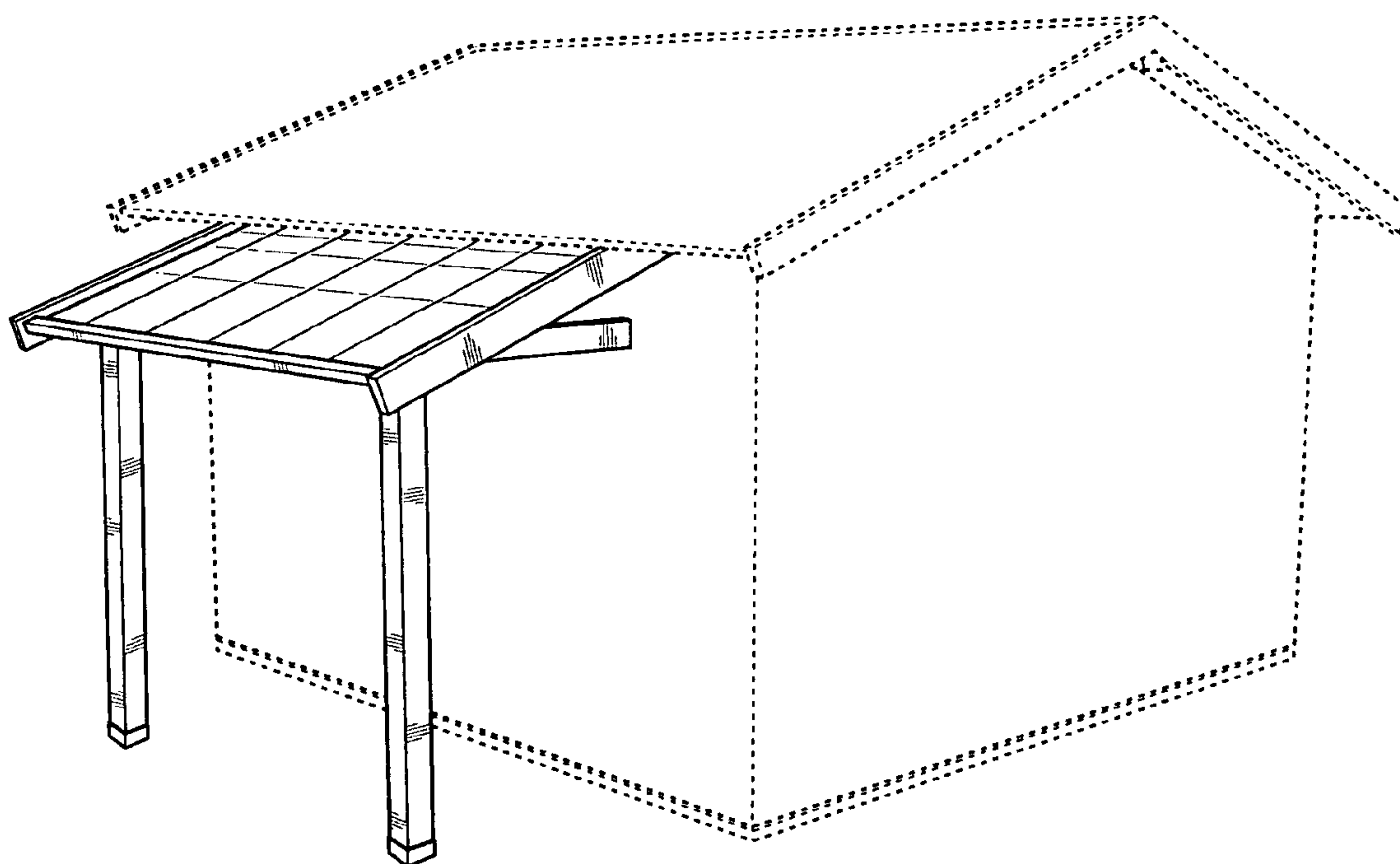


FIG. 8