



US00D602599S

(12) **United States Design Patent**  
**Xiaowei**

(10) **Patent No.:** **US D602,599 S**

(45) **Date of Patent:** **\*\* Oct. 20, 2009**

(54) **TESTING DEVICE**

(75) Inventor: **He Xiaowei**, Hangzhou (CN)

(73) Assignee: **Inverness Medical Switzerland GmbH**,  
Zug (CH)

(\*\*) Term: **14 Years**

(21) Appl. No.: **29/295,726**

(22) Filed: **Oct. 4, 2007**

(51) **LOC (9) Cl.** ..... **24-02**

(52) **U.S. Cl.** ..... **D24/225**

(58) **Field of Classification Search** ..... D24/216–226,  
D24/169; D10/81; 422/56, 58, 61, 63, 69,  
422/99, 102; 436/65, 66

See application file for complete search history.

(56) **References Cited**

**U.S. PATENT DOCUMENTS**

D299,860 S *	2/1989	Fan et al.	.....	D24/225
D342,575 S *	12/1993	Ashihara et al.	.....	D24/224
D360,950 S *	8/1995	Mazurek	.....	D24/223
D361,842 S	8/1995	Nazareth et al.		
D369,868 S	5/1996	Nazareth et al.		
D383,549 S	9/1997	Arnett et al.		
D390,667 S	2/1998	Nazareth et al.		
D391,373 S	2/1998	Shartie		
D405,539 S *	2/1999	Poissant et al.	.....	D24/223
D426,313 S	6/2000	Woolston et al.		

D432,244 S	10/2000	Anderson et al.		
D499,813 S *	12/2004	Wu	.....	D24/225
6,855,561 B2 *	2/2005	Jerome et al.	.....	422/58
D531,735 S	11/2006	Lee et al.		
D560,812 S *	1/2008	Powell et al.	.....	D24/216

\* cited by examiner

*Primary Examiner*—T. Chase Nelson

*Assistant Examiner*—Anhdao Doan

(74) *Attorney, Agent, or Firm*—Wilson Sonsini Goodrich &  
Rosati

(57) **CLAIM**

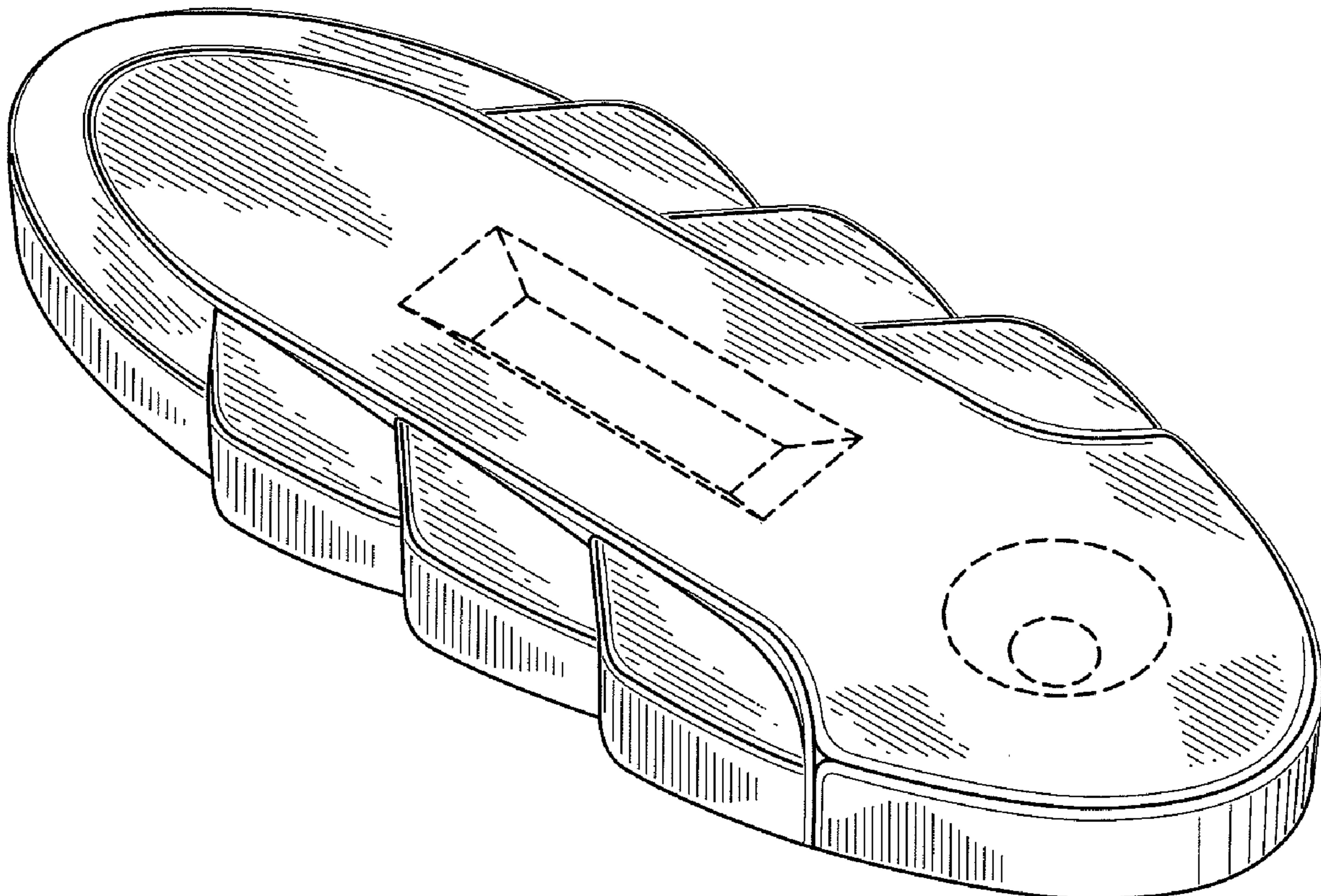
The ornamental design for a testing device, as shown and described.

**DESCRIPTION**

FIG. 1 is a top perspective view of a testing device;  
FIG. 2 is a front end view of the testing device of FIG. 1;  
FIG. 3 is a rear end view of the testing device of FIG. 1;  
FIG. 4 is a top view of the testing device of FIG. 1;  
FIG. 5 is a bottom view of the testing device of FIG. 1; and,  
FIG. 6 is a left side view of the testing device of FIG. 1.

The broken lines in FIGS. 1–6 are included for the purposes of illustrating environmental elements only and form no part of the claimed design.

**1 Claim, 2 Drawing Sheets**



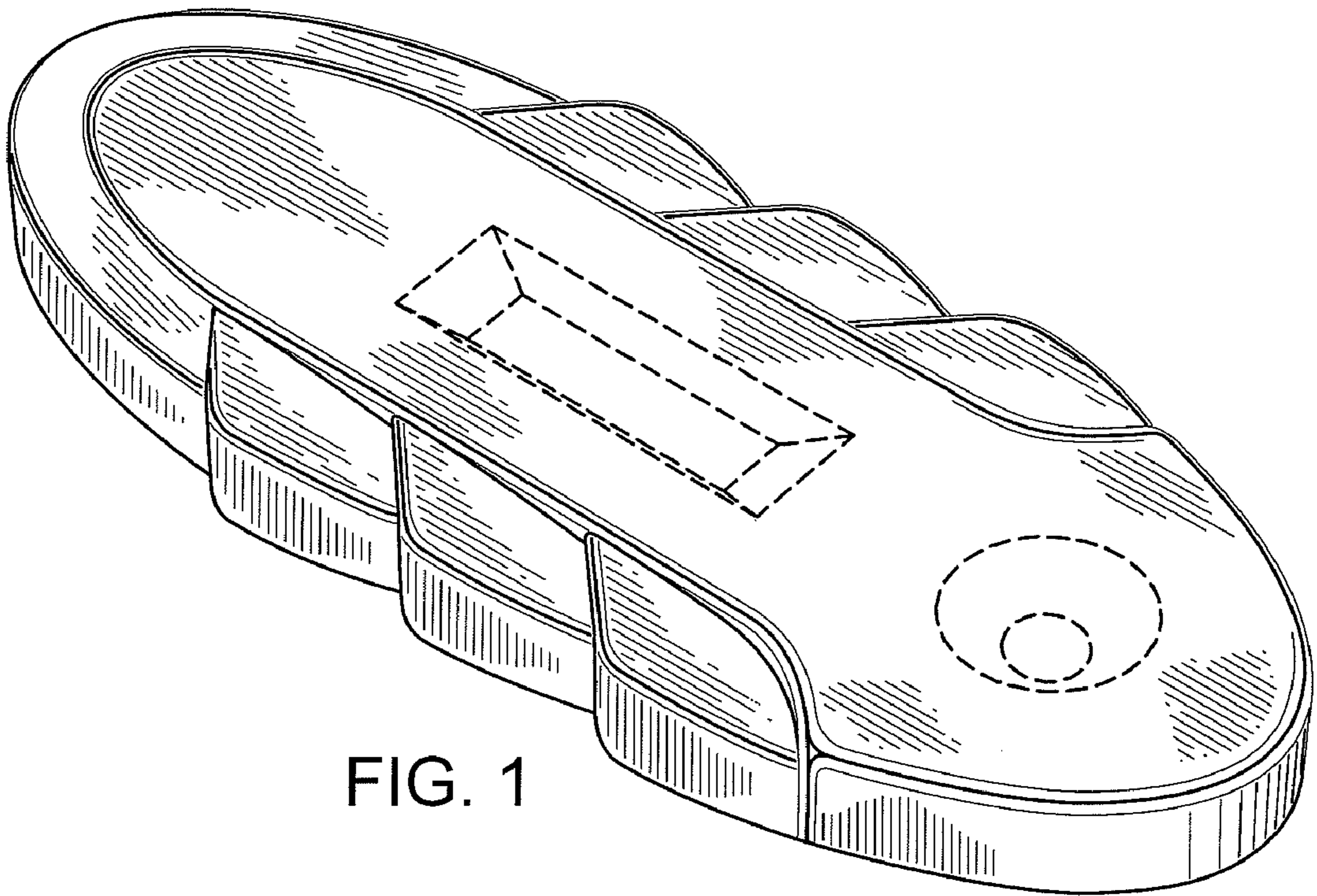


FIG. 1

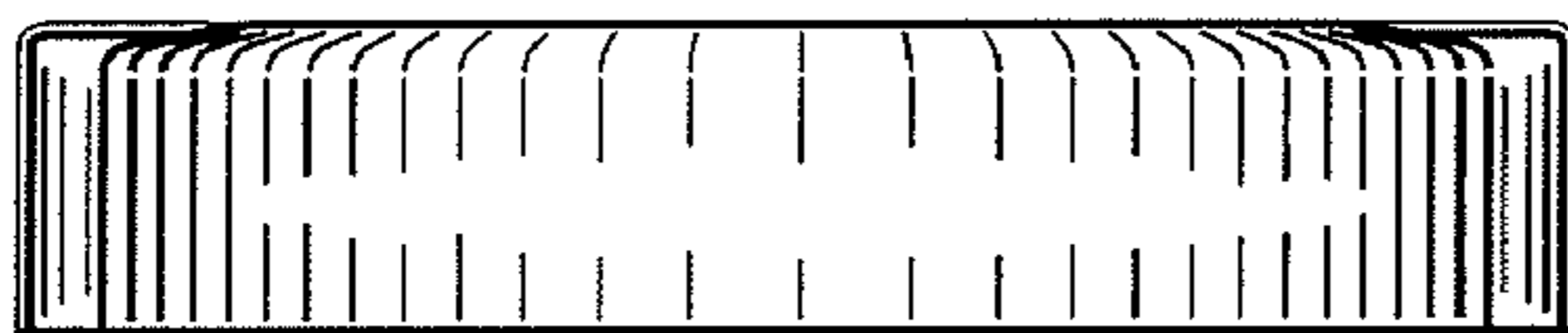


FIG. 2

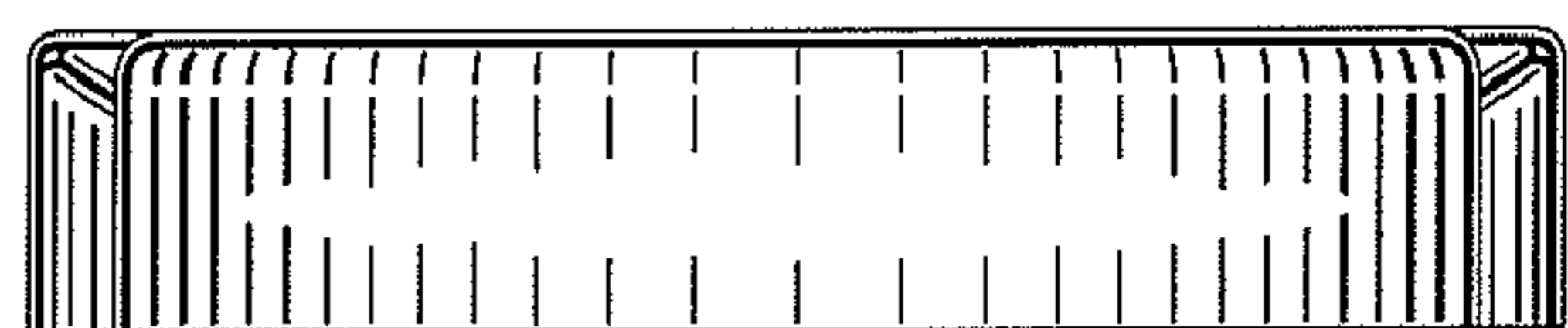


FIG. 3

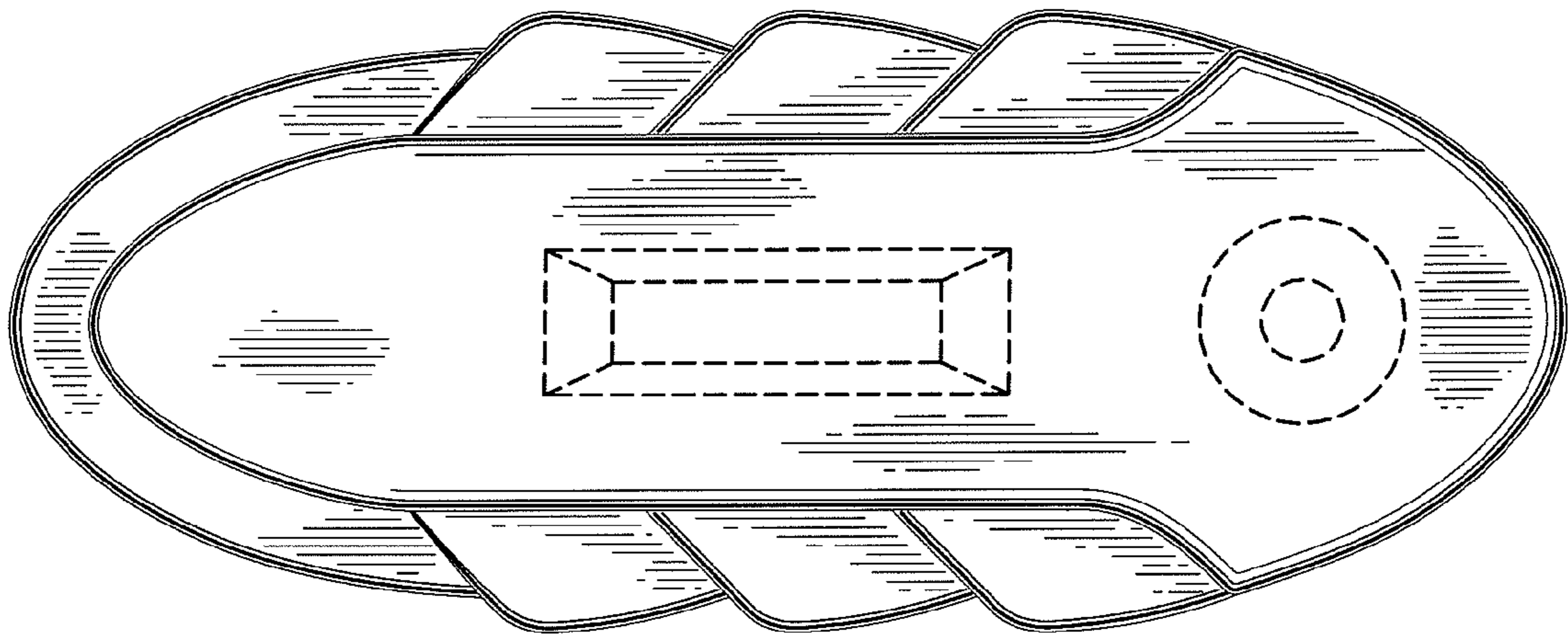


FIG. 4

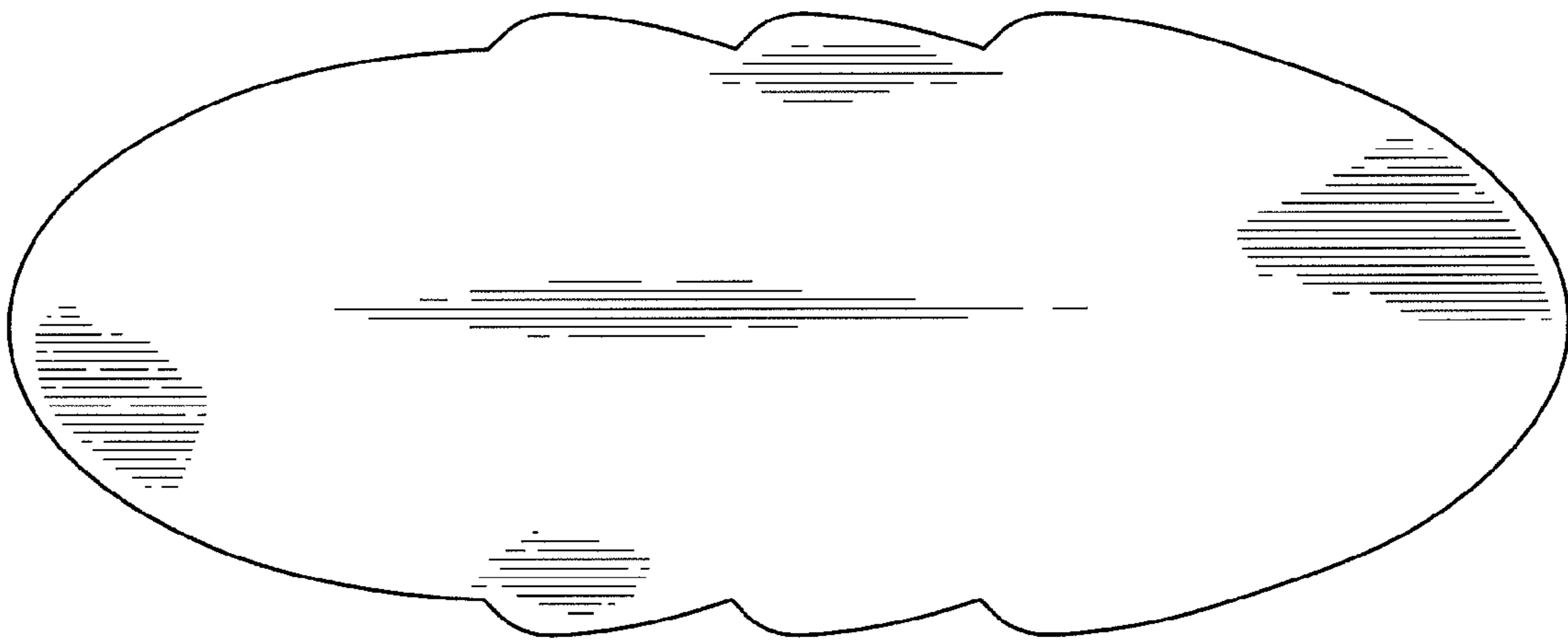


FIG. 5

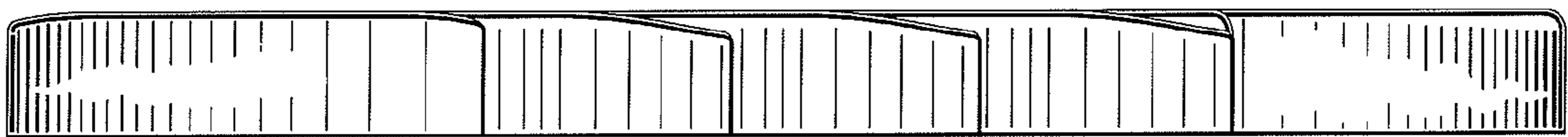


FIG. 6