



US00D602592S

(12) **United States Design Patent**  
**Cheetham**

(10) **Patent No.:** **US D602,592 S**

(45) **Date of Patent:** **\*\* \*Oct. 20, 2009**

(54) **DENTAL CAPSULE**

(75) Inventor: **Joshua James Cheetham**, Windsor (AU)

(73) Assignee: **SDI Limited**, Bayswater (AU)

(\* ) Notice: This patent is subject to a terminal disclaimer.

(\*\*) Term: **14 Years**

(21) Appl. No.: **29/302,806**

(22) Filed: **Jan. 24, 2008**

(51) **LOC (9) Cl.** ..... **24-02**

(52) **U.S. Cl.** ..... **D24/176; D9/696**

(58) **Field of Classification Search** ..... D24/152-154,  
D24/176, 112, 113; D28/4, 8.1, 8.2; 433/80,  
433/90

See application file for complete search history.

(56) **References Cited**

**U.S. PATENT DOCUMENTS**

D315,956	S	*	4/1991	Dragan	.....	D24/112
5,172,807	A	*	12/1992	Dragan et al.	.....	206/219
D334,803	S	*	4/1993	Discko, Jr.	.....	D24/112
D357,065	S	*	4/1995	Castellini	.....	D24/112
D378,699	S	*	4/1997	Niedospial et al.	.....	D24/112
5,871,355	A	*	2/1999	Dragan et al.	.....	433/90
6,135,771	A	*	10/2000	Dragan et al.	.....	433/90

6,261,094	B1	*	7/2001	Dragan	.....	433/90
D452,311	S	*	12/2001	Guala	.....	D24/112
6,375,460	B1	*	4/2002	Plaumann	.....	433/80
6,386,872	B1	*	5/2002	Mukasa et al.	.....	433/90
6,585,511	B2	*	7/2003	Dragan et al.	.....	433/90
7,128,246	B2	*	10/2006	Raia et al.	.....	222/327

\* cited by examiner

*Primary Examiner*—Charles A Rademaker

*Assistant Examiner*—Charles D Hanson

(74) *Attorney, Agent, or Firm*—William H. Holt

(57) **CLAIM**

The ornamental design for a dental capsule, as shown and described.

**DESCRIPTION**

FIG. 1 is a perspective view of a dental capsule, showing my new design.

FIG. 2 is a side view thereof;

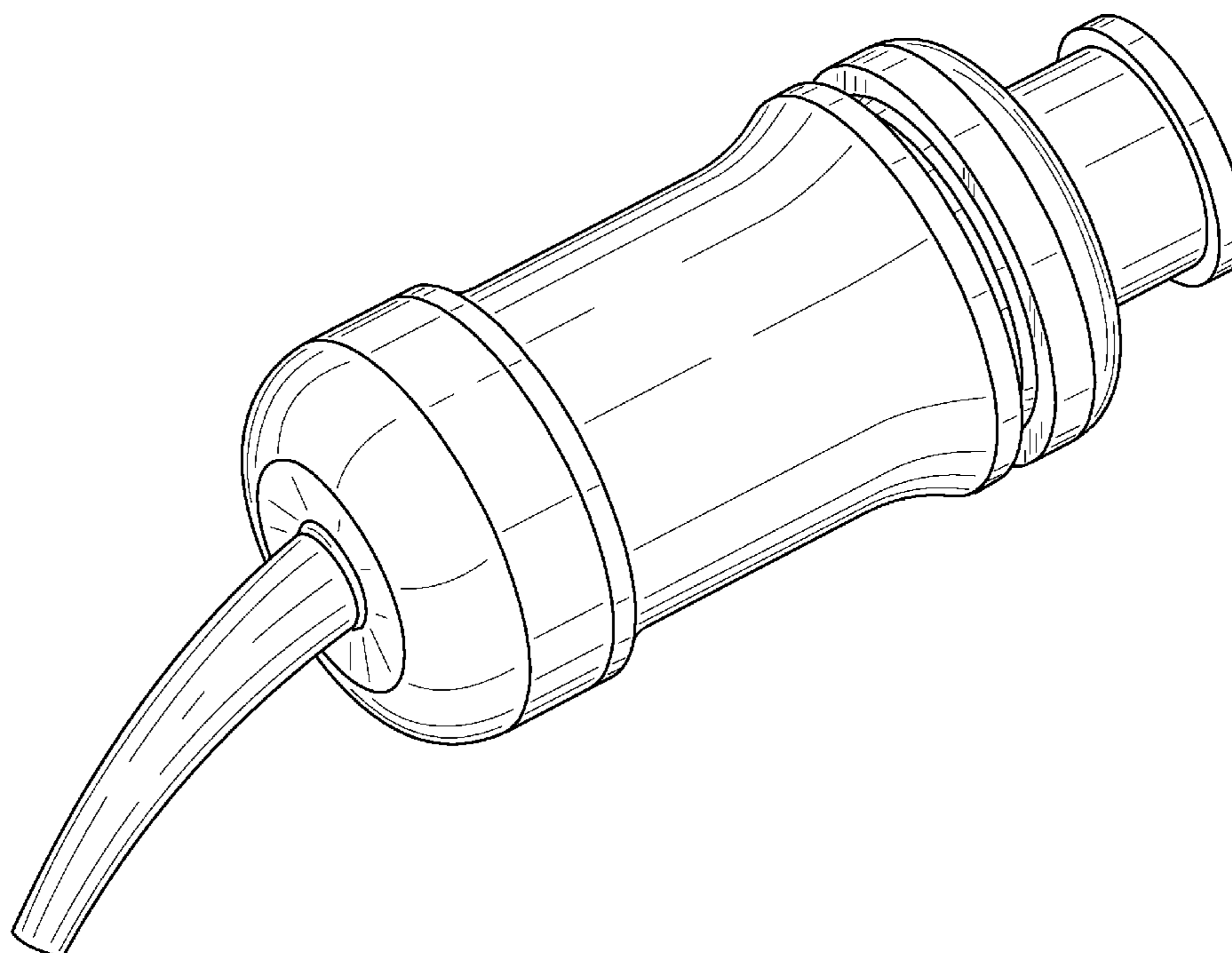
FIG. 3 is a bottom view thereof;

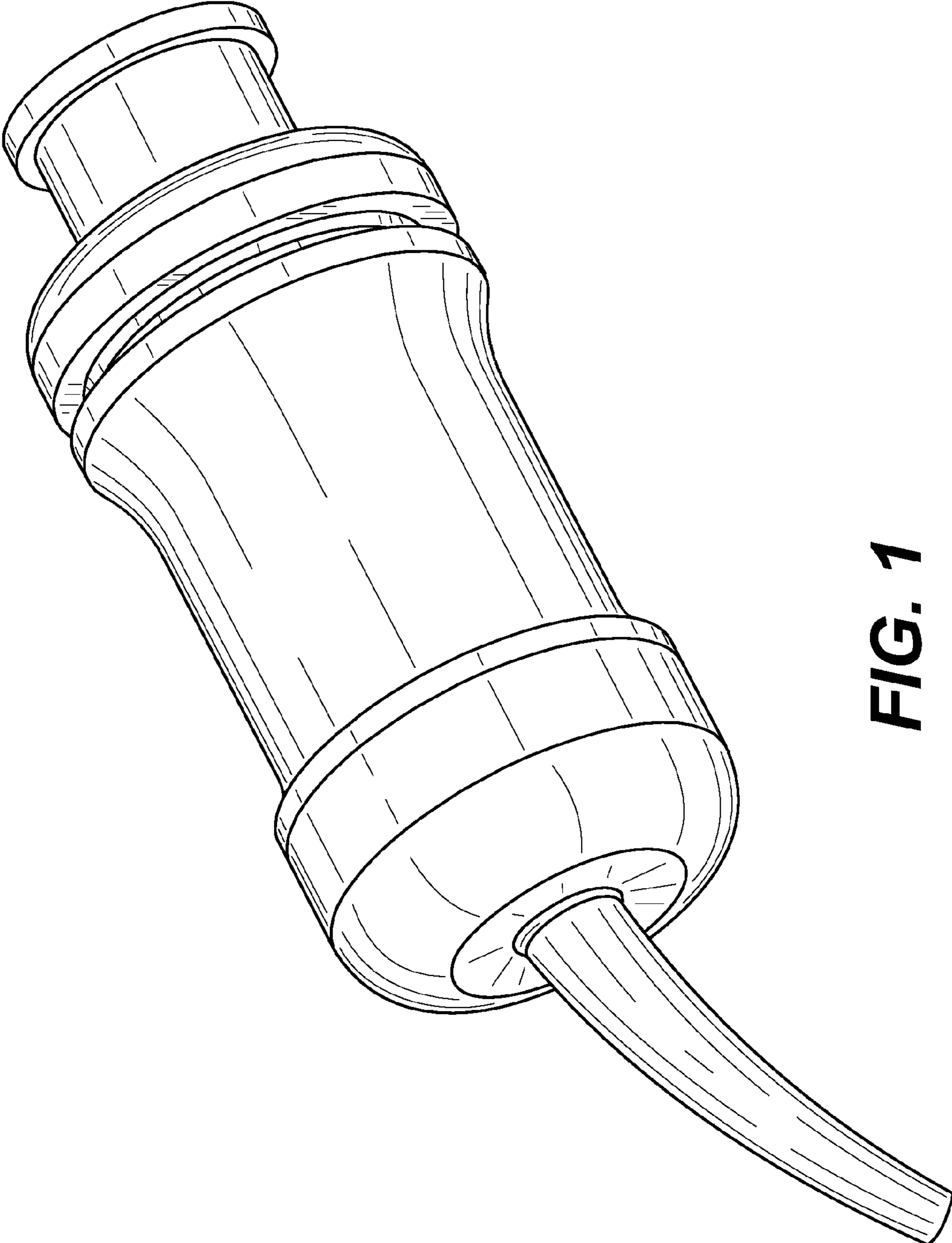
FIG. 4 is a top view thereof;

FIG. 5 is a back view thereof wherein the broken lines in the circular detail define the boundary thereof, and the broken lines are for illustrating environment and form no part of the claimed design; and,

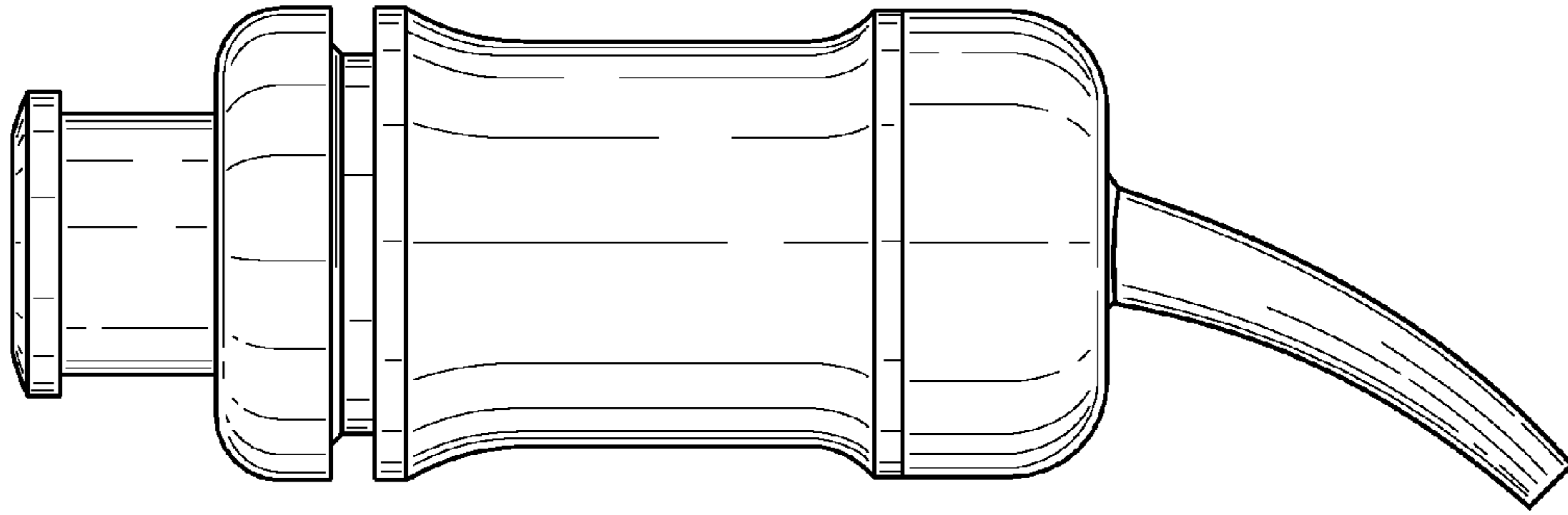
FIG. 6 is a front view thereof.

**1 Claim, 3 Drawing Sheets**

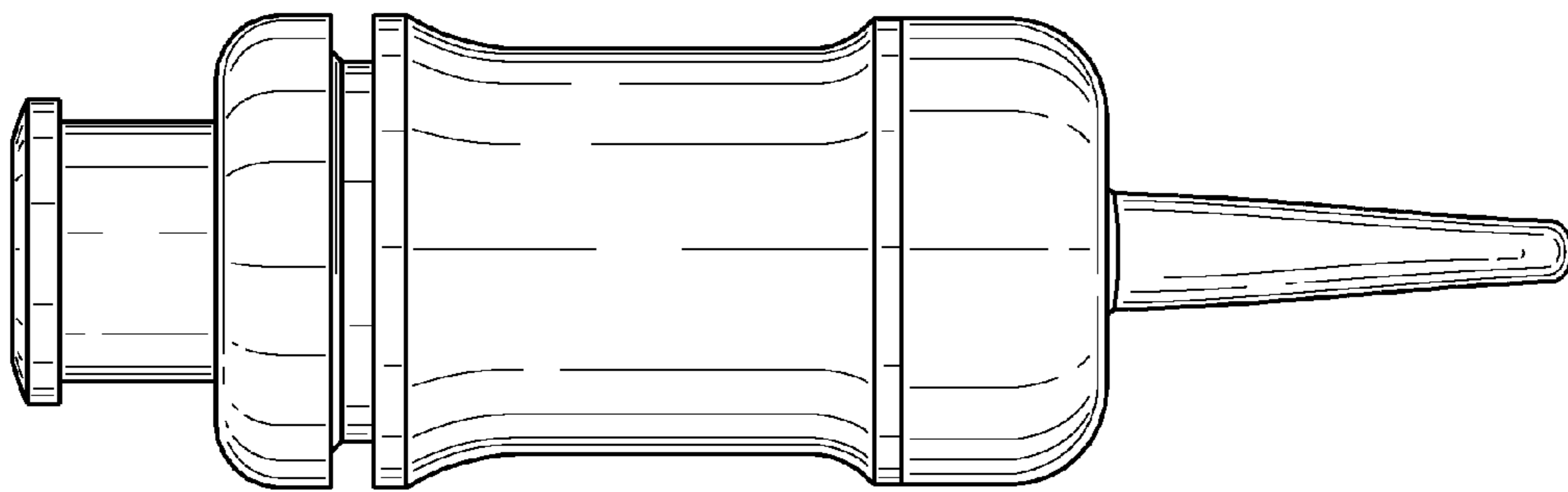




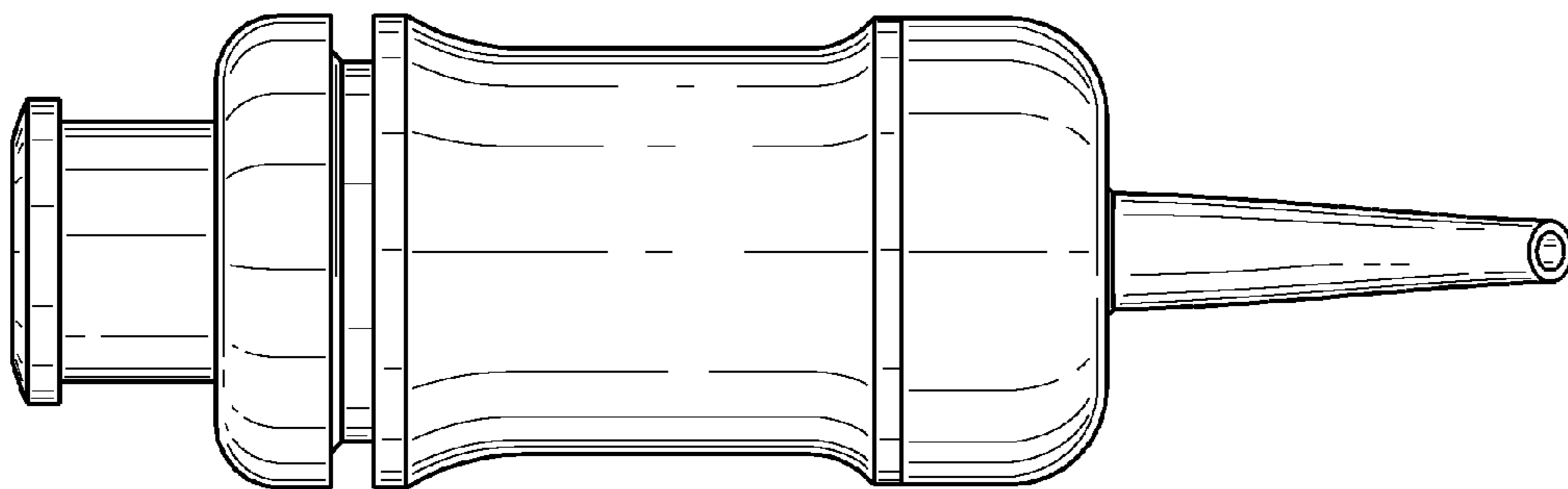
**FIG. 1**



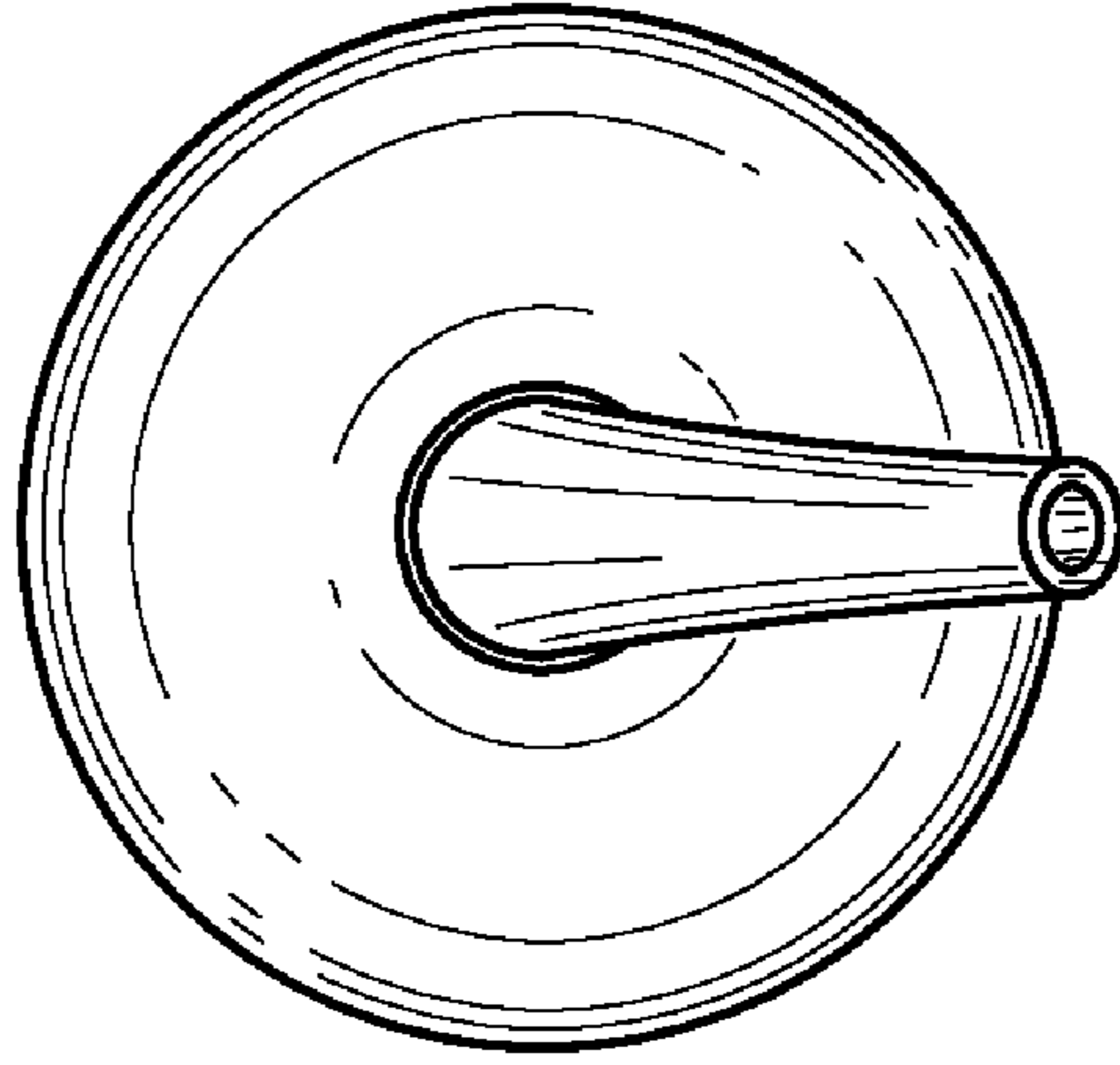
**FIG. 2**



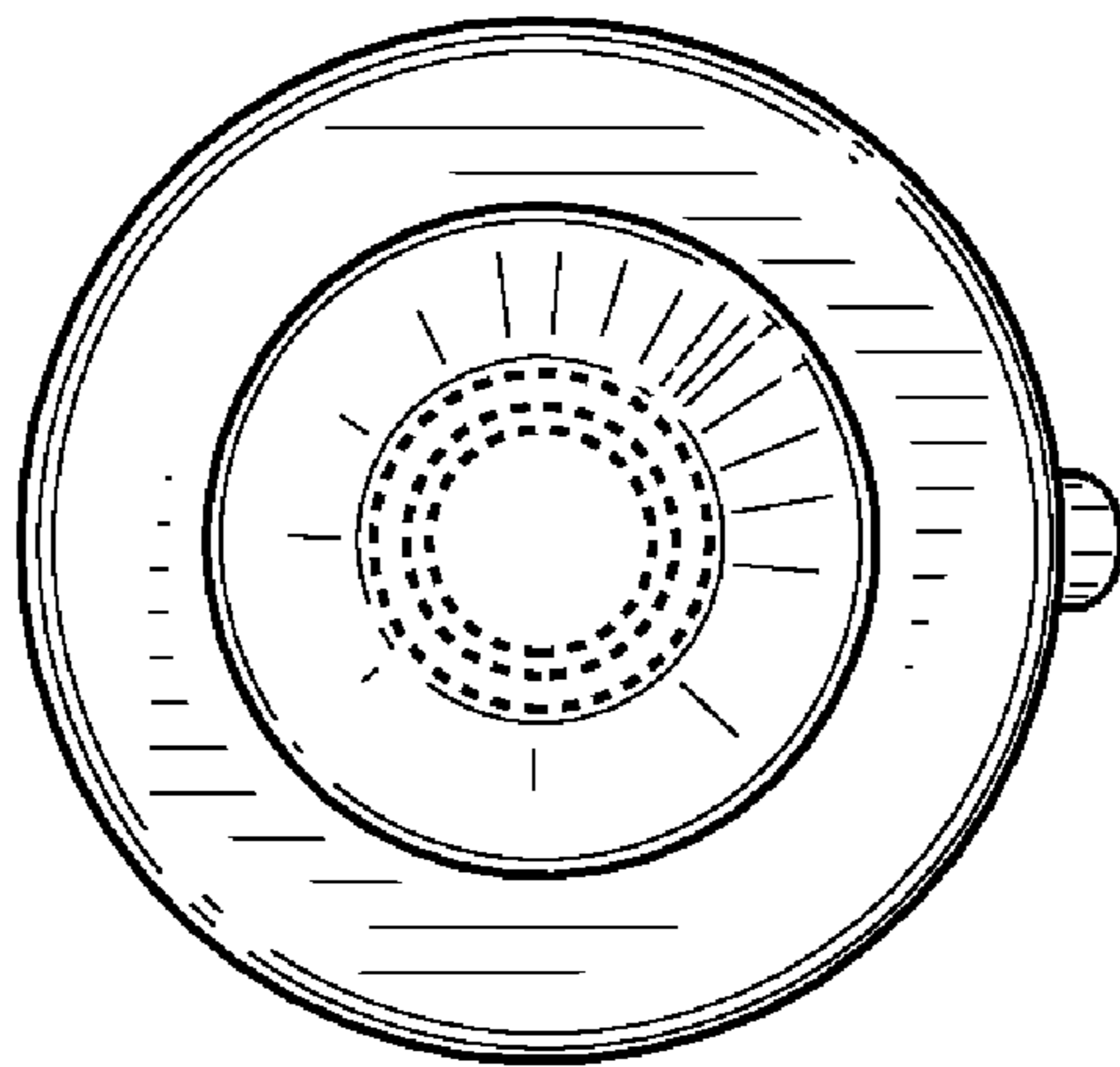
**FIG. 3**



**FIG. 4**



**FIG. 6**



**FIG. 5**