



US00D602586S

(12) **United States Design Patent**  
**Foley et al.**

(10) **Patent No.:** **US D602,586 S**  
(45) **Date of Patent:** **\*\* Oct. 20, 2009**

(54) **DRUG DELIVERY POD**

(75) Inventors: **Nick Foley**, Edinburgh (GB); **James Cunningham Glencross**, Edinburgh (GB); **James Harkness**, Edinburgh (GB); **Martin Crofton**, Thornaby (GB); **Peter Krulevitch**, Pleasanton, CA (US)

(73) Assignee: **Animas Corporation**, West Chester, PA (US)

(\*\*) Term: **14 Years**

(21) Appl. No.: **29/321,752**

(22) Filed: **Jul. 23, 2008**

(51) **LOC (9) Cl.** ..... **24-02**

(52) **U.S. Cl.** ..... **D24/113**

(58) **Field of Classification Search** ..... D24/112-114,  
D24/108, 133, 186, 130, 127, 110; 606/181,  
606/185; 604/232, 187, 168.01, 192; D9/414,  
D9/424

See application file for complete search history.

(56) **References Cited**

**U.S. PATENT DOCUMENTS**

D405,524 S *	2/1999	Falk et al.	.....	D24/113
D405,525 S *	2/1999	Barrett et al.	.....	D24/113
D447,282 S *	8/2001	Yiu	.....	D24/133
D480,636 S *	10/2003	Caroen	.....	D9/414
D481,459 S *	10/2003	Nahm	.....	D24/186
D482,452 S *	11/2003	Davey et al.	.....	D24/186
D516,217 S *	2/2006	Brown et al.	.....	D24/186

D536,961 S *	2/2007	Tanner	.....	D9/424
D544,092 S *	6/2007	Lewis	.....	D24/108
D553,248 S *	10/2007	Nguyen	.....	D24/186
D579,548 S *	10/2008	Birath et al.	.....	D24/110
D579,568 S *	10/2008	Strawn et al.	.....	D24/186
D583,463 S *	12/2008	Wood et al.	.....	D24/110

\* cited by examiner

*Primary Examiner*—T. Chase Nelson

*Assistant Examiner*—David G Muller

(74) *Attorney, Agent, or Firm*—Wayne Jaeschke, Jr.

(57) **CLAIM**

We claim the ornamental design for a drug delivery pod, as shown and described.

**DESCRIPTION**

FIG. 1: Is a perspective view of the drug delivery pod, from the top position;

FIG. 2: is a front view thereof;

FIG. 3: is a back view thereof;

FIG. 4: is a left side view thereof;

FIG. 5: is a plan view thereof;

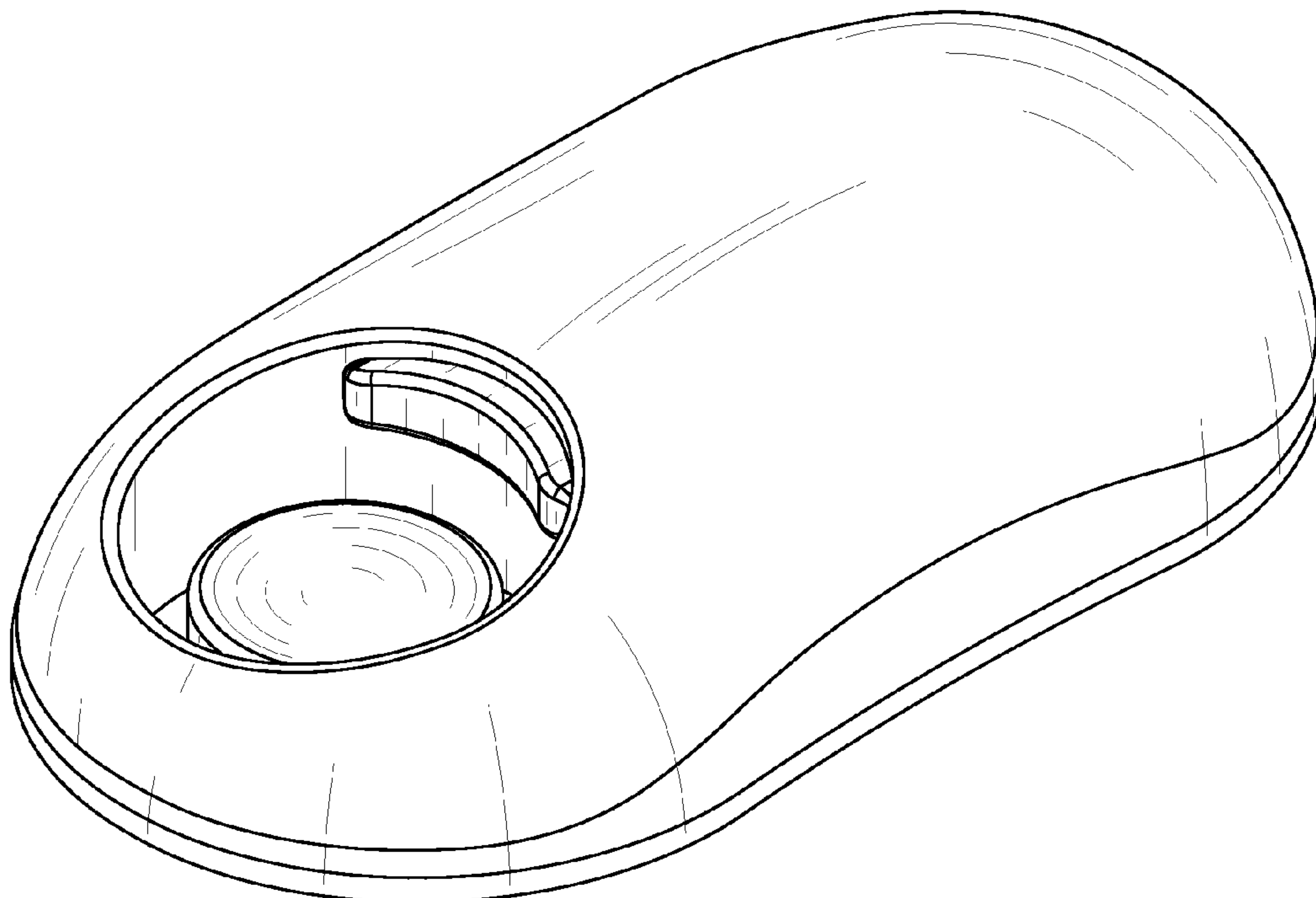
FIG. 6: is a right side thereof; and,

FIG. 7: is a bottom view thereof.

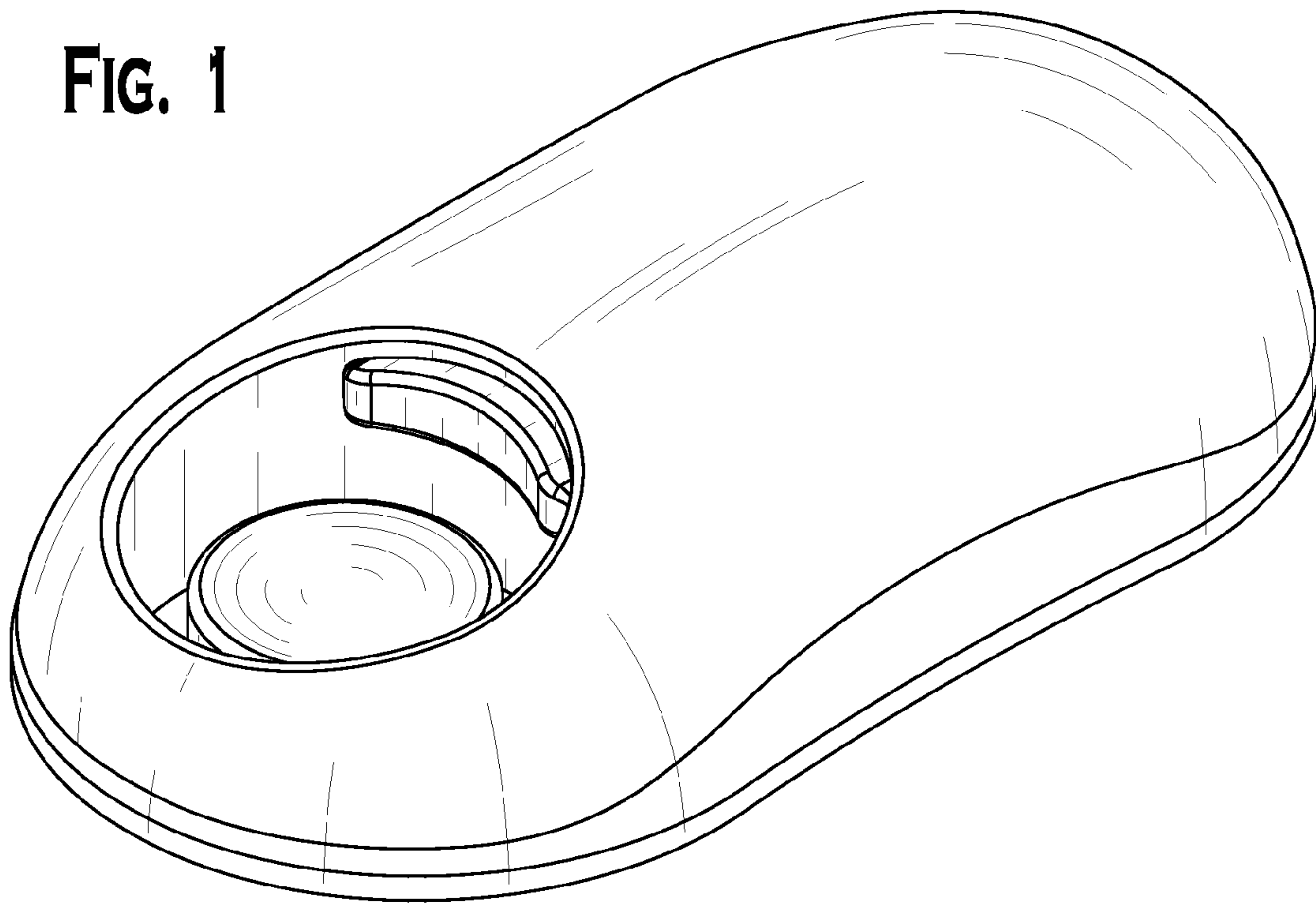
The features shown in broken lines in various Figures are for illustrating reference or environmental structure.

The broken lines depict portions of the drug delivery pod that form no part of the claimed design.

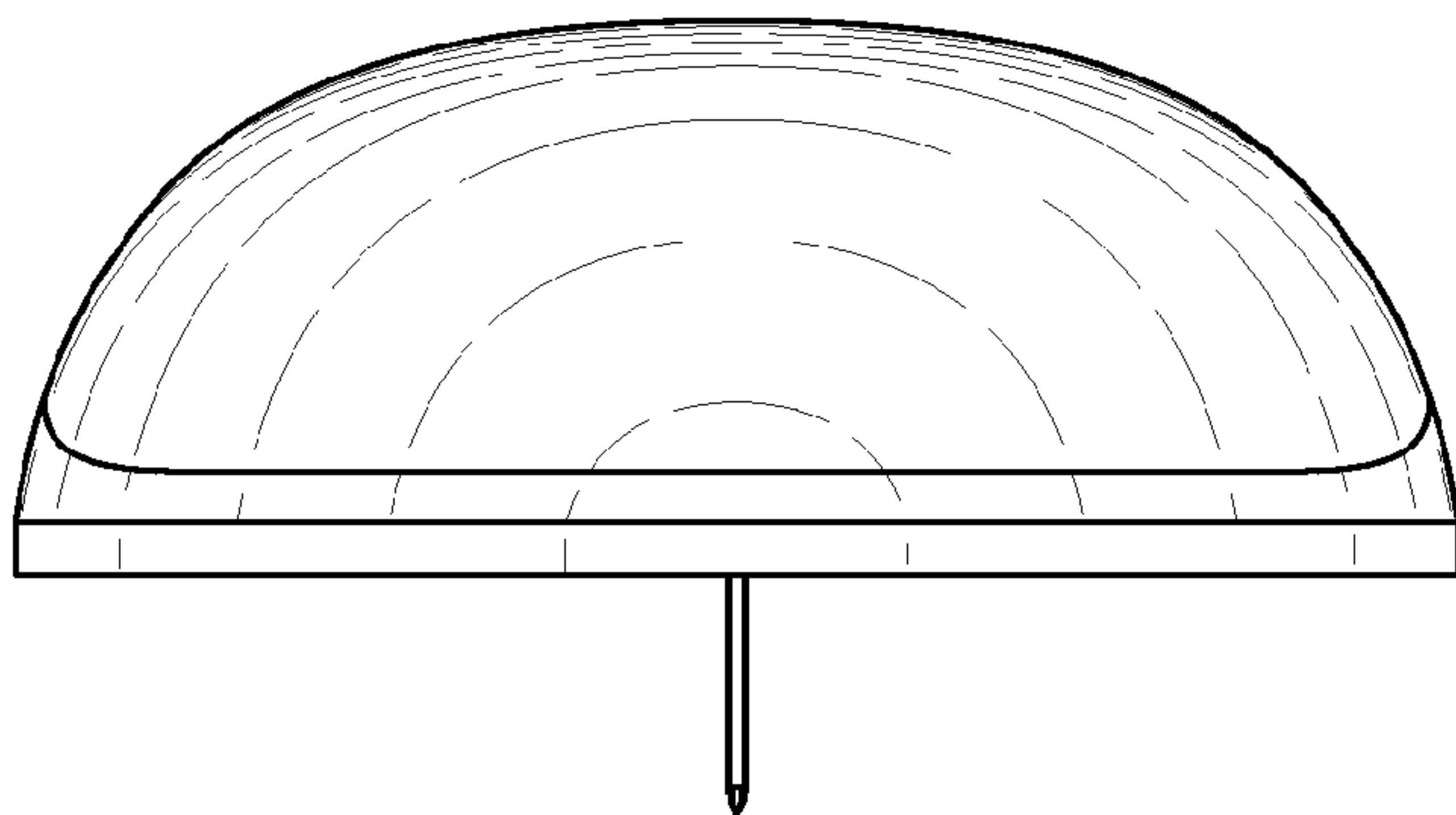
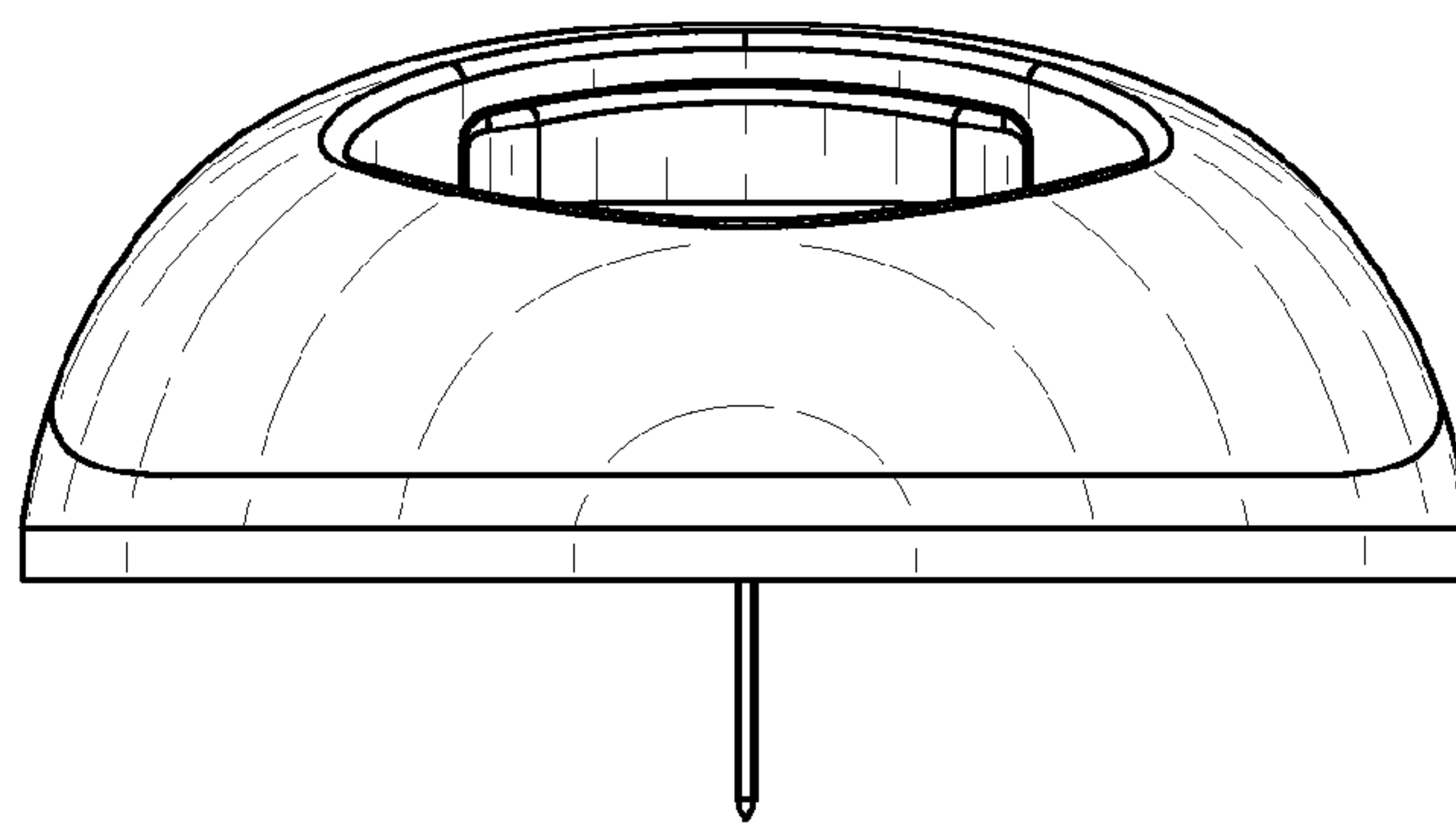
**1 Claim, 3 Drawing Sheets**



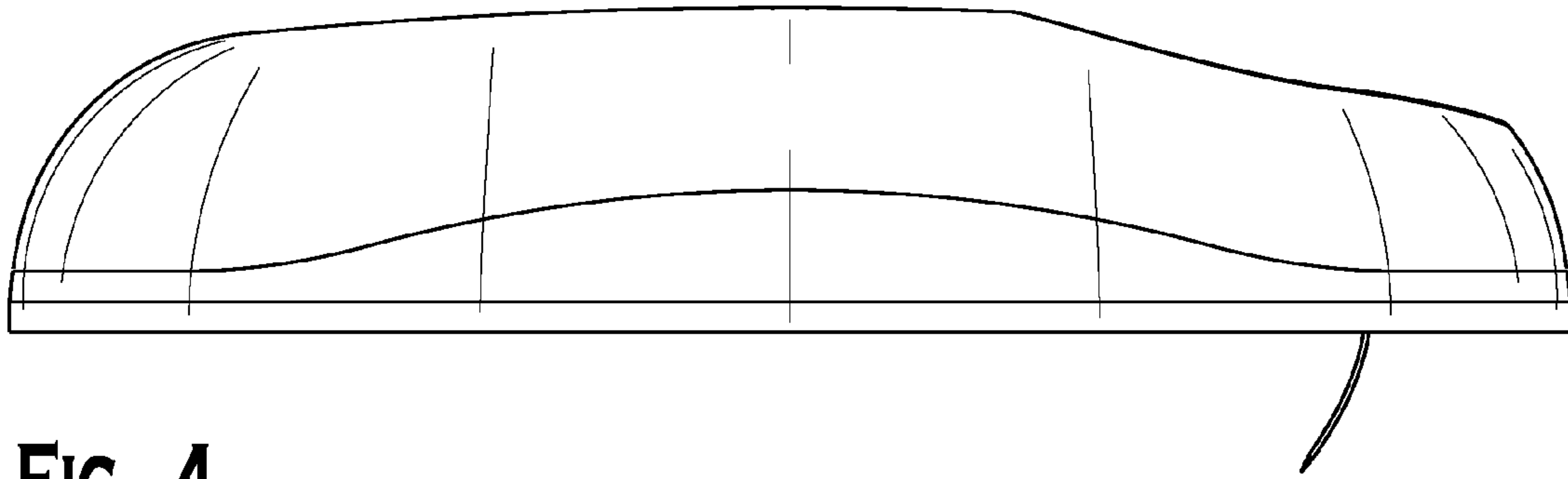
**FIG. 1**



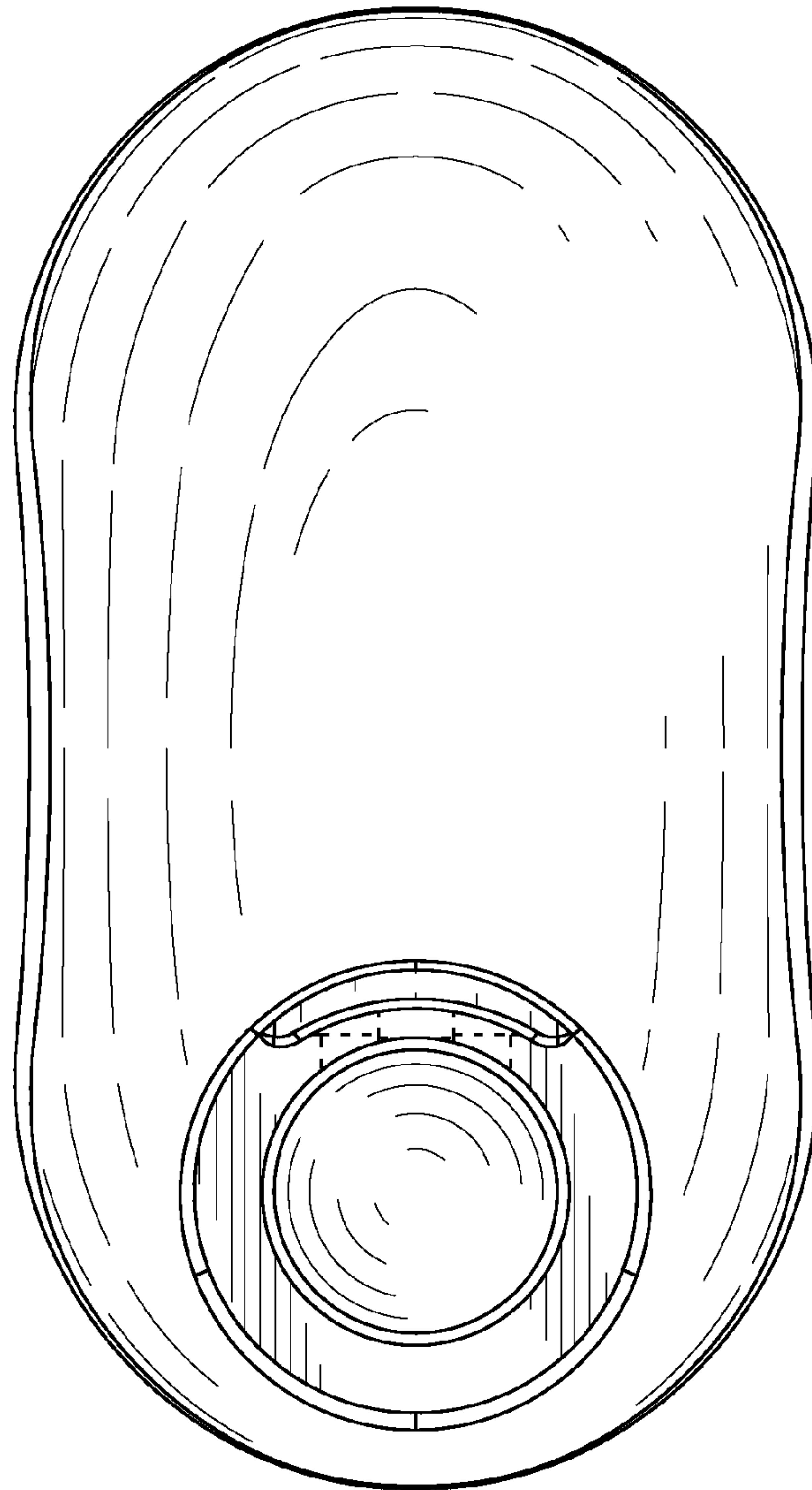
**FIG. 2**



**FIG. 3**



**FIG. 4**



**FIG. 5**

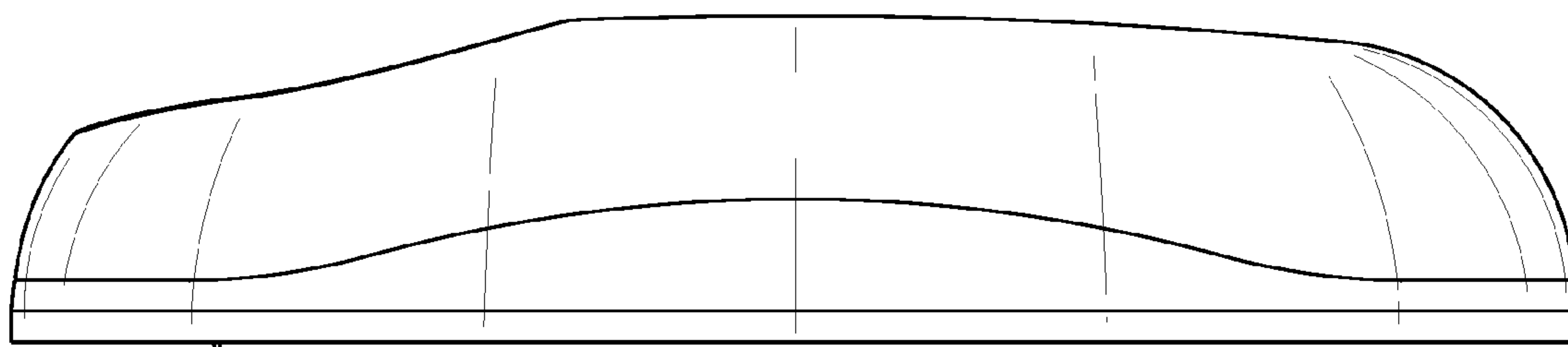


FIG. 6

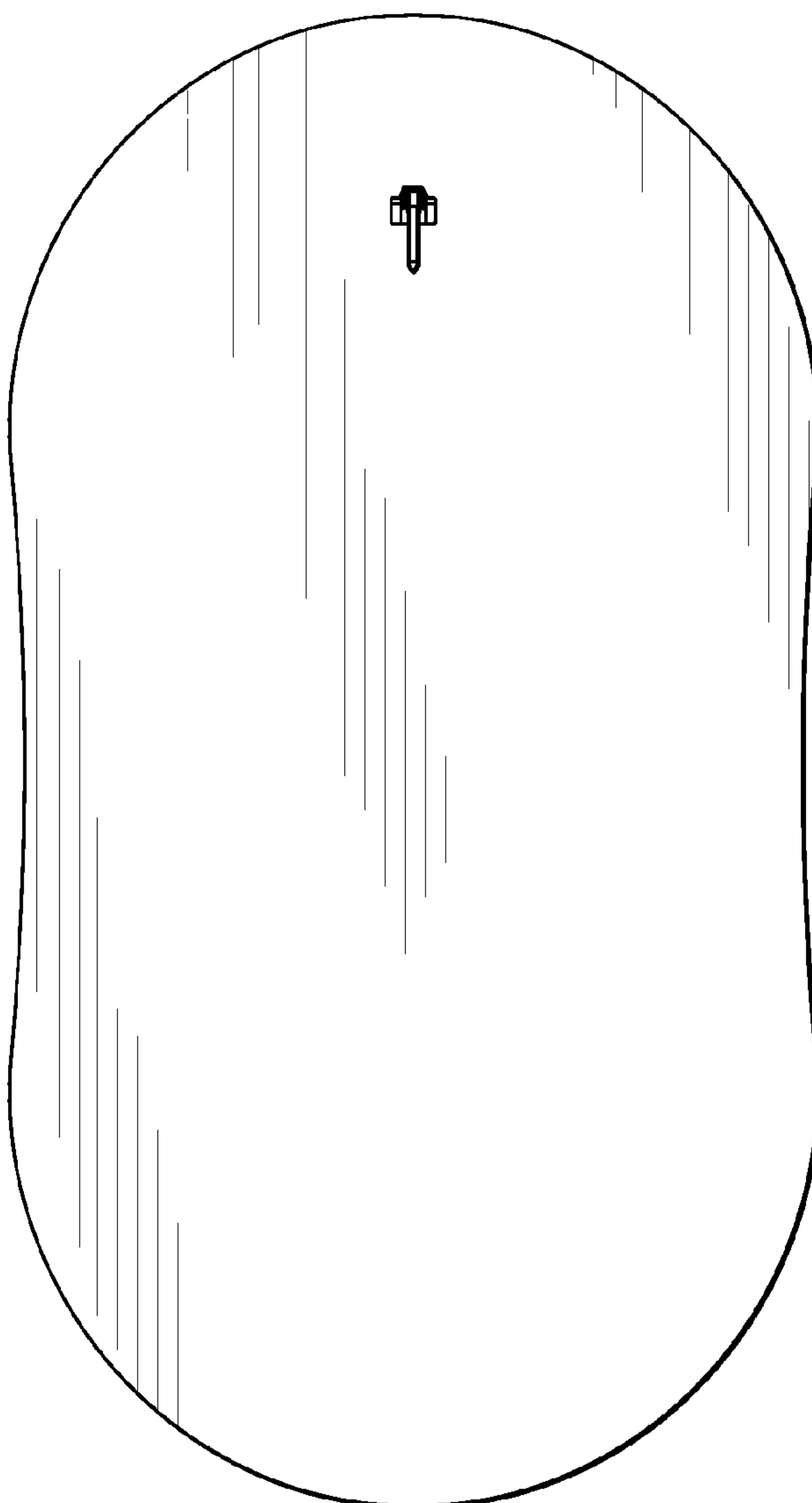


FIG. 7