



US00D602584S

(12) **United States Design Patent**
Pidgeon et al.

(10) **Patent No.:** **US D602,584 S**

(45) **Date of Patent:** **** Oct. 20, 2009**

(54) **CANISTER**

(75) Inventors: **Andy Duncan Pidgeon**, Cambs (GB);
Richard Mann, Cambridge (GB)

(73) Assignee: **Smith & Nephew PLC**, London (GB)

(**) Term: **14 Years**

(21) Appl. No.: **29/294,240**

(22) Filed: **Dec. 28, 2007**

(30) **Foreign Application Priority Data**

Jul. 2, 2007 (EM) 000750146-001

(51) **LOC (9) Cl.** **24-01**

(52) **U.S. Cl.** **D24/108**

(58) **Field of Classification Search** D24/107,
D24/186, 165, 232, 200, 158, 108, 111, 133,
D24/146-147, 169; 601/15, 9-10; 607/61,
607/63, 52, 100, 103, 115; 600/1-2, 9-10,
600/13; 604/317, 327, 543, 541, 313-315

See application file for complete search history.

(56) **References Cited**

U.S. PATENT DOCUMENTS

D352,463 S * 11/1994 Kubo D10/31
D400,249 S * 10/1998 Holubar et al. D24/107
6,010,527 A * 1/2000 Augustine et al. 607/96
D449,891 S * 10/2001 Moro D24/165
D456,514 S * 4/2002 Brown et al. D24/169
6,468,199 B1 * 10/2002 Satou et al. 600/9
D481,459 S * 10/2003 Nahm D24/186
6,755,807 B2 * 6/2004 Risk et al. 604/319

D504,953 S * 5/2005 Ryan D24/200
D522,657 S * 6/2006 Murphy et al. D24/186
D537,944 S * 3/2007 Eda et al. D24/165
D544,092 S * 6/2007 Lewis D24/108
D548,347 S * 8/2007 Ichino et al. D24/186
2008/0033400 A1 * 2/2008 Holper et al. 604/541

OTHER PUBLICATIONS

U.S. Appl. No. 29/294,217, filed Dec. 28, 2007, Pidgeon et al.

U.S. Appl. No. 29/294,224, filed Dec. 28, 2007, Pidgeon et al.

U.S. Appl. No. 29/294,234, filed Dec. 28, 2007, Pidgeon et al.

* cited by examiner

Primary Examiner—Ian Simmons

Assistant Examiner—Wan Laymon

(74) *Attorney, Agent, or Firm*—Klarquist Sparkman, LLP

(57) **CLAIM**

We claim the ornamental design for a canister, as shown and described.

DESCRIPTION

FIG. 1 is a perspective view of a canister.

FIG. 2 is a top plan view of the canister of FIG. 1.

FIG. 3 is a front elevation view of the canister of FIG. 1.

FIG. 4 is a rear elevation view of the canister of FIG. 1.

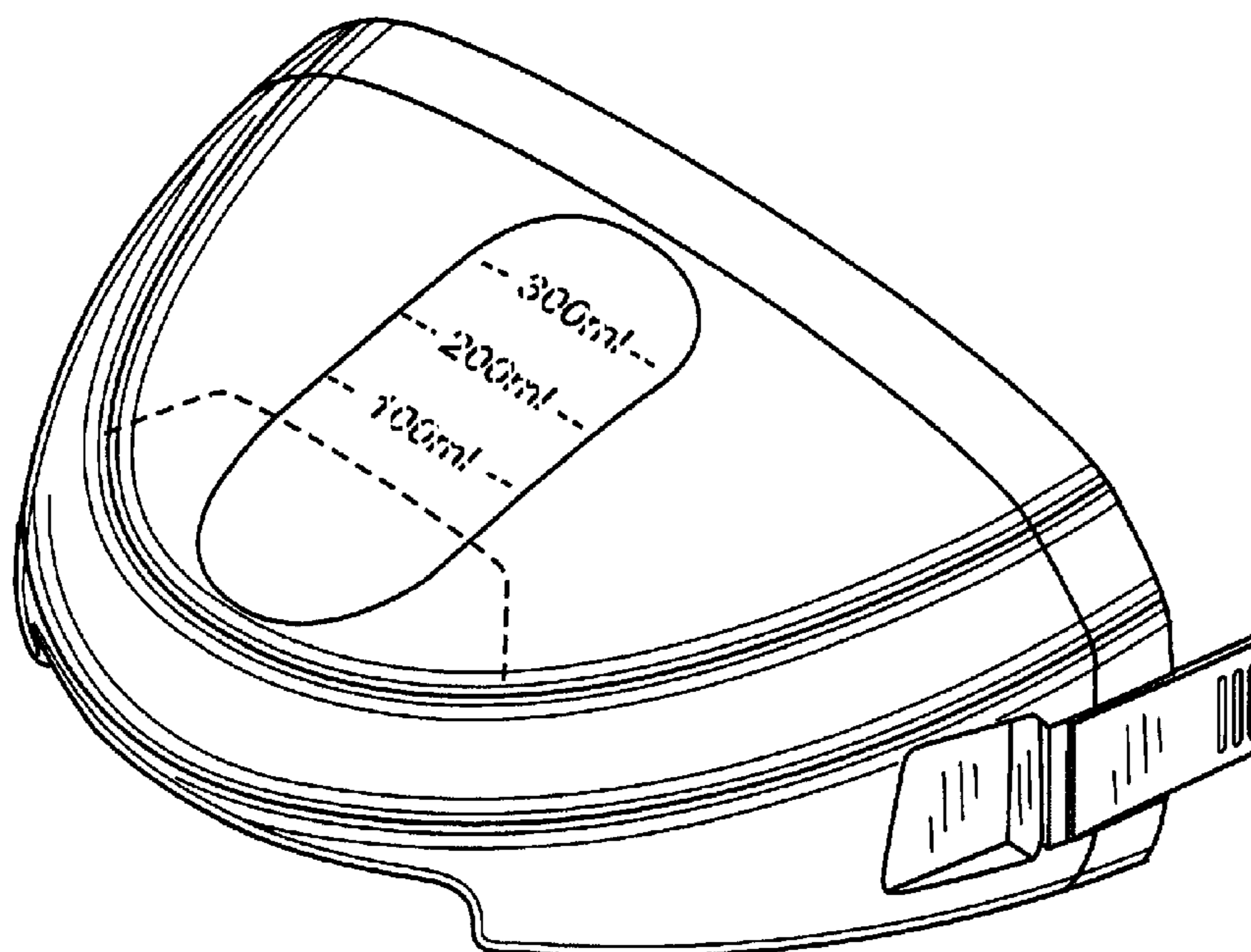
FIG. 5 is a right side view of the canister of FIG. 1.

FIG. 6 is a left side view of the canister of FIG. 1; and,

FIG. 7 is a an enlarged bottom view of the canister of FIG. 1.

The broken lines in the drawings are for illustrative purposes only and form no part of the claimed design.

1 Claim, 2 Drawing Sheets



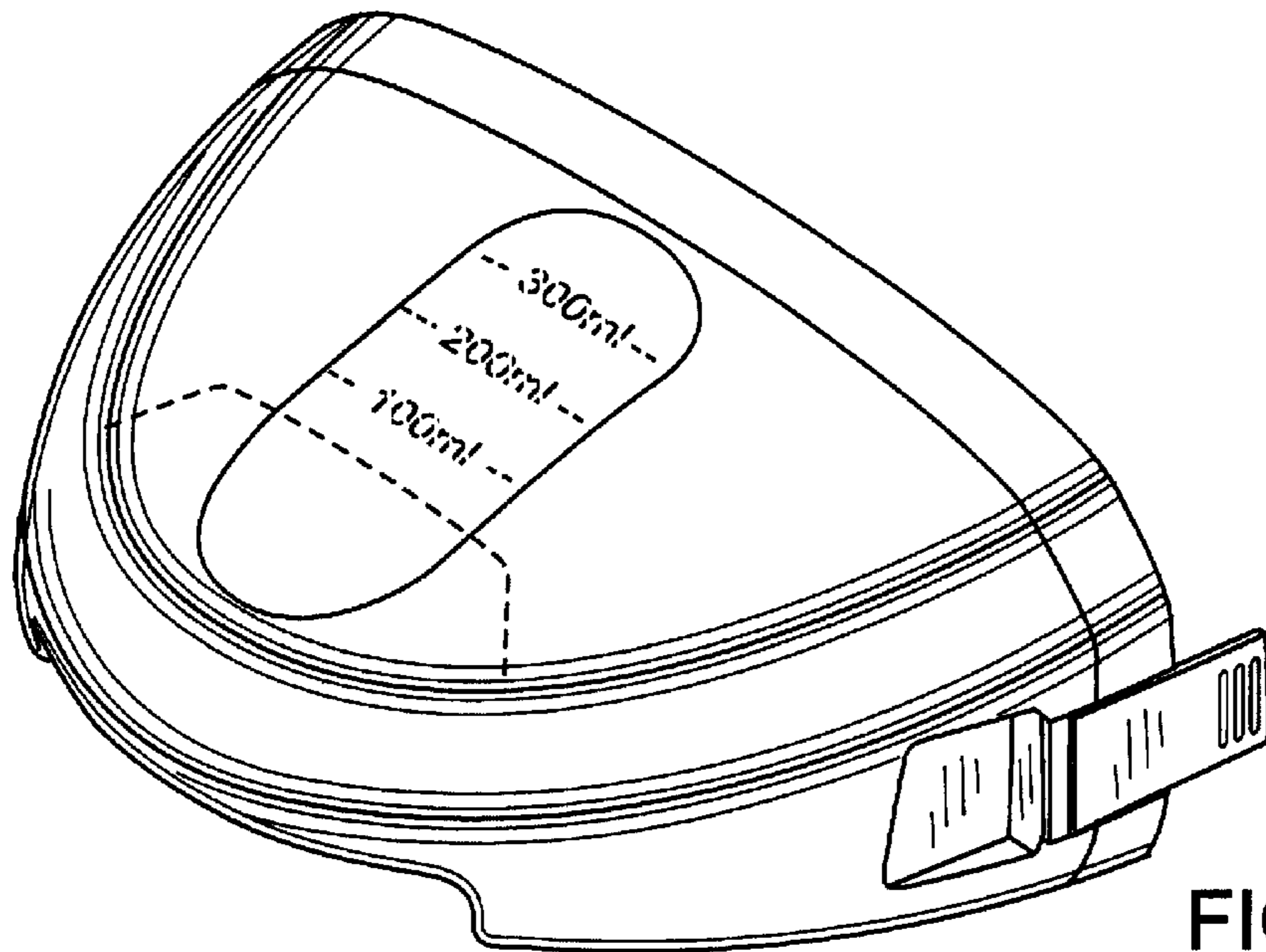


FIG. 1

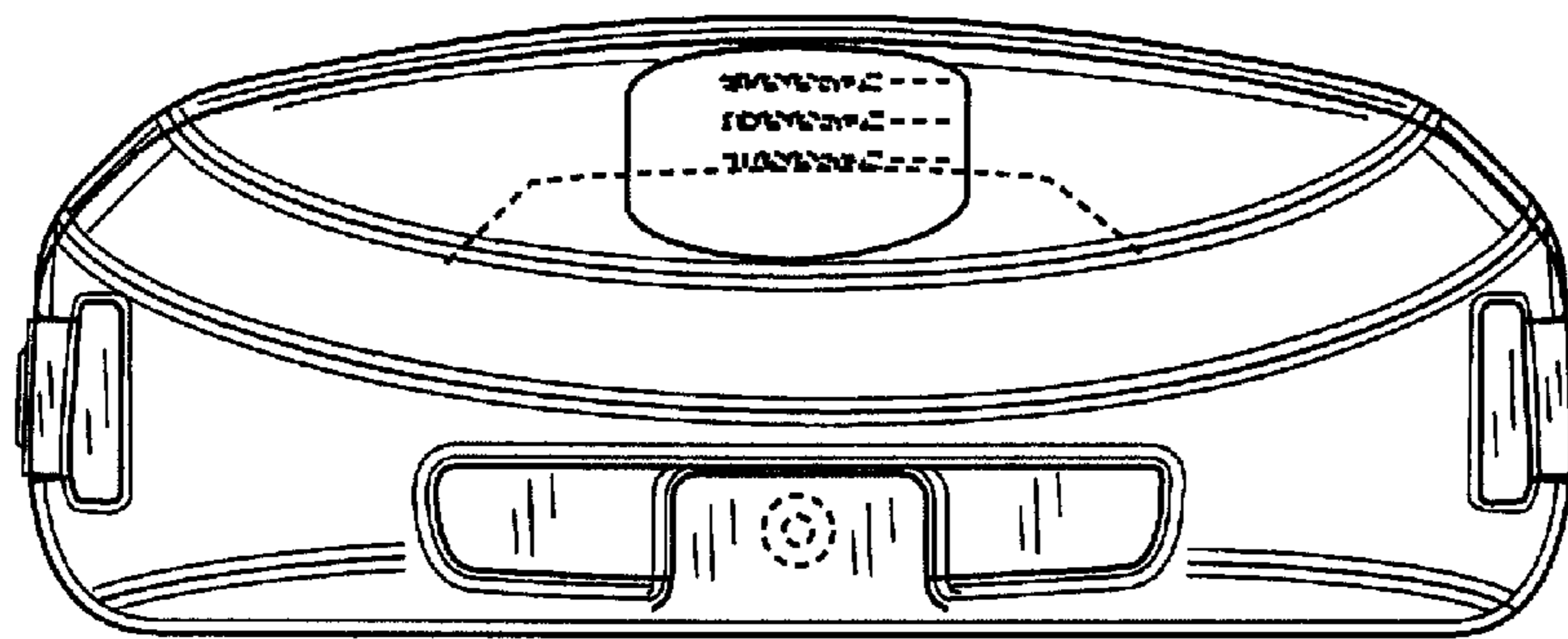


FIG. 3

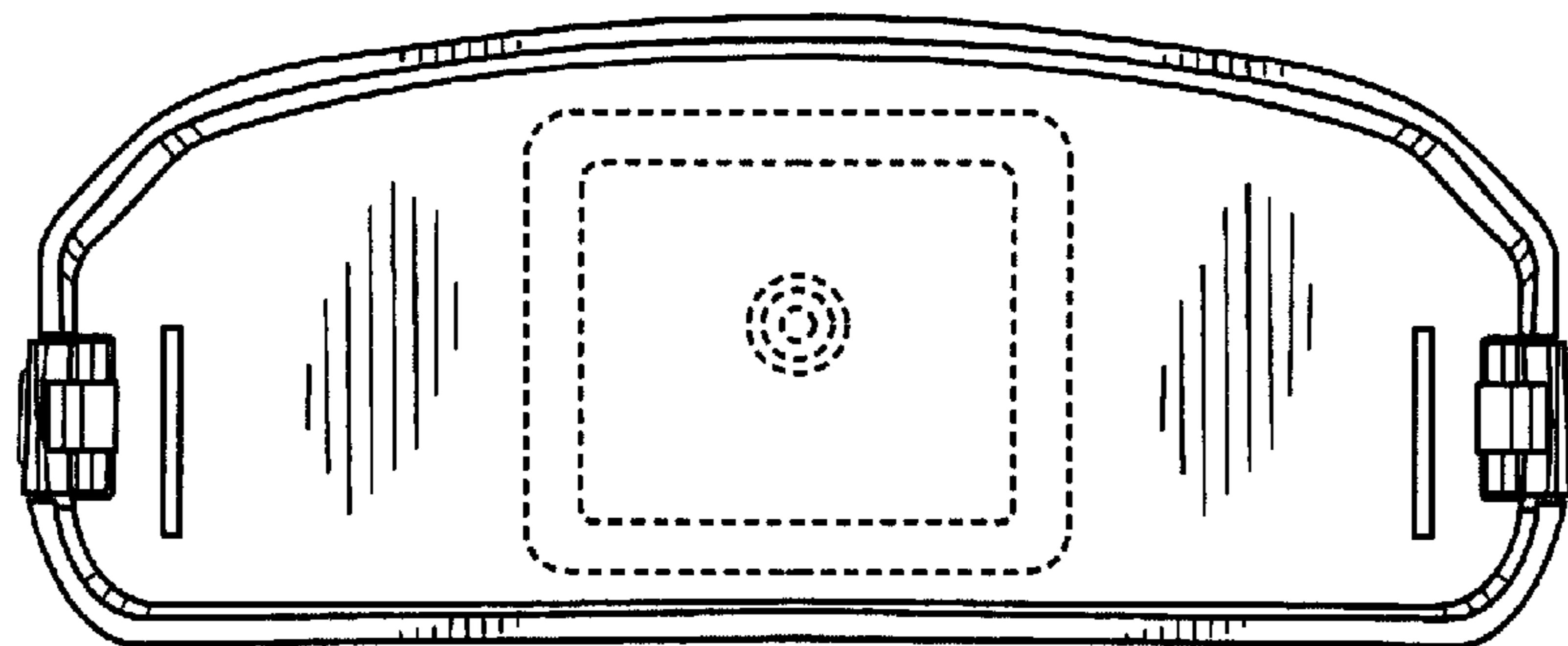


FIG. 4

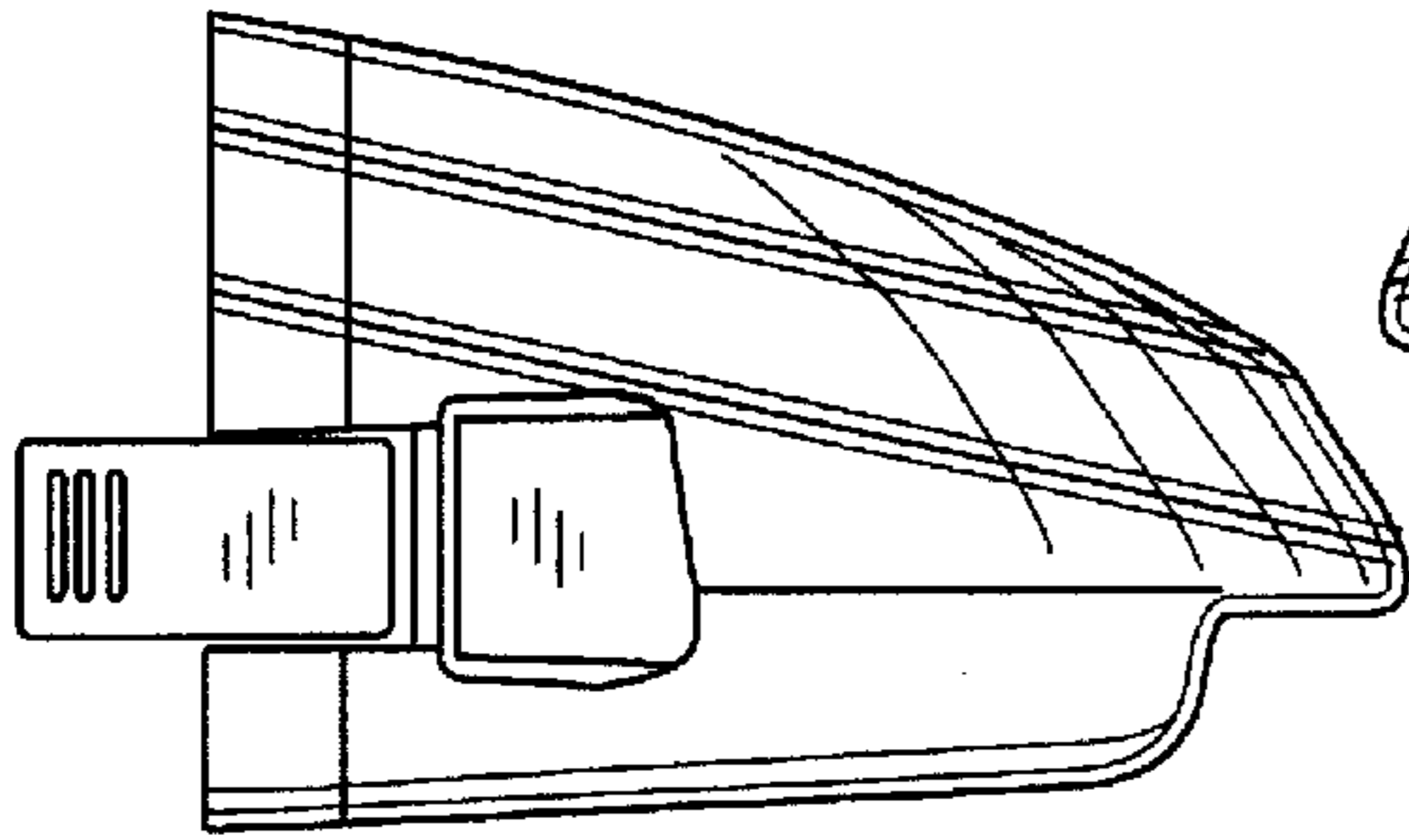


FIG. 5

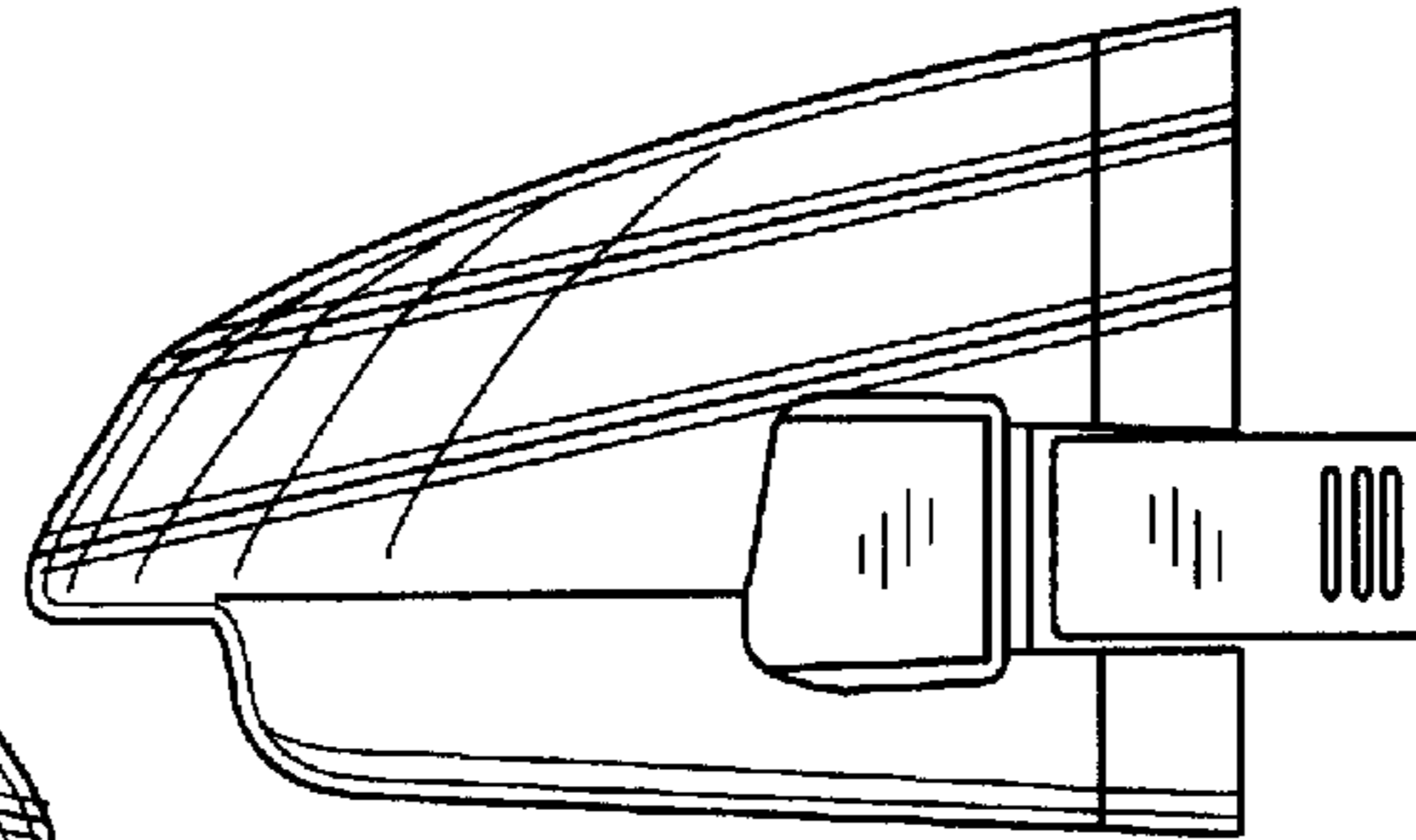


FIG. 6

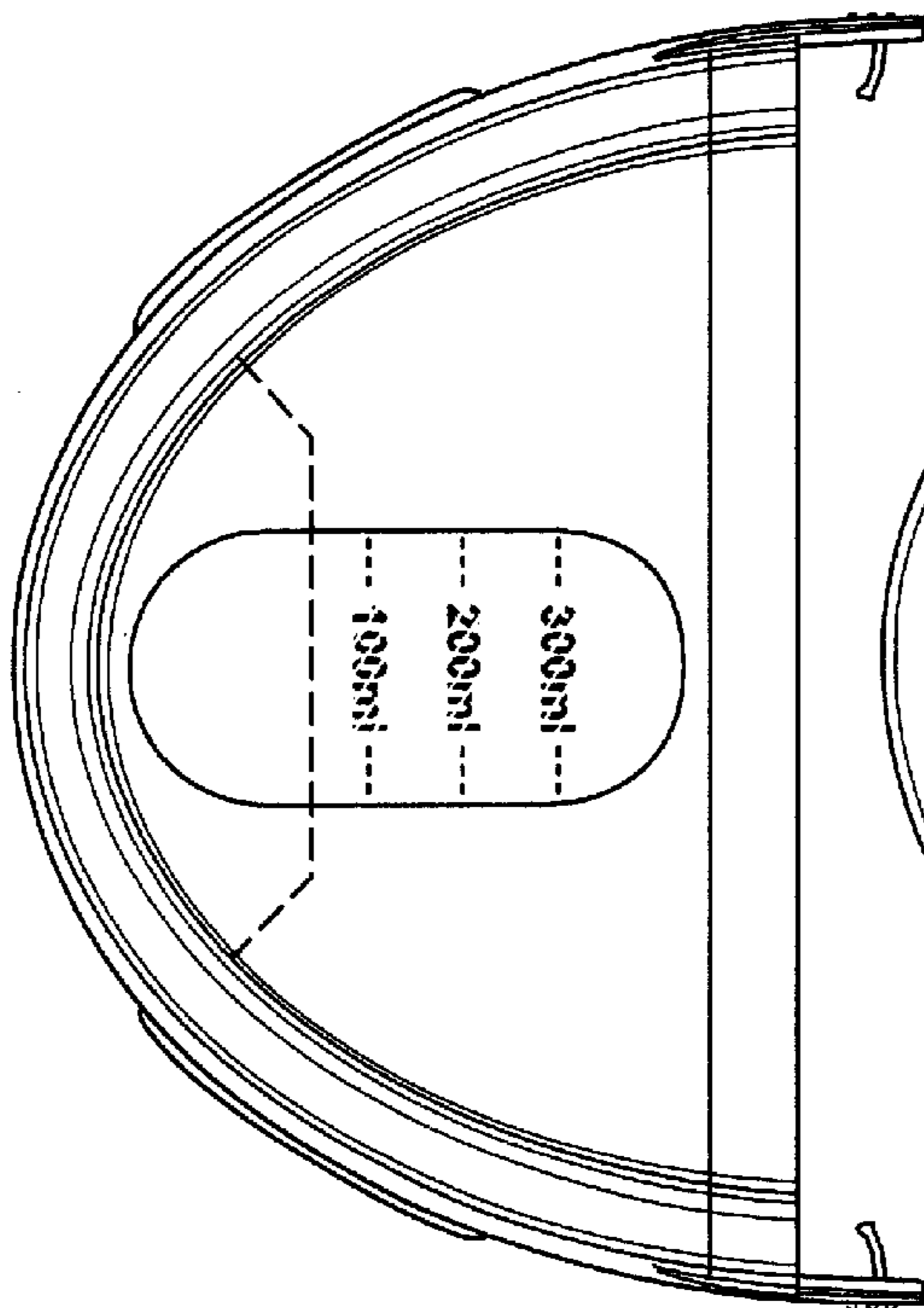


FIG. 2

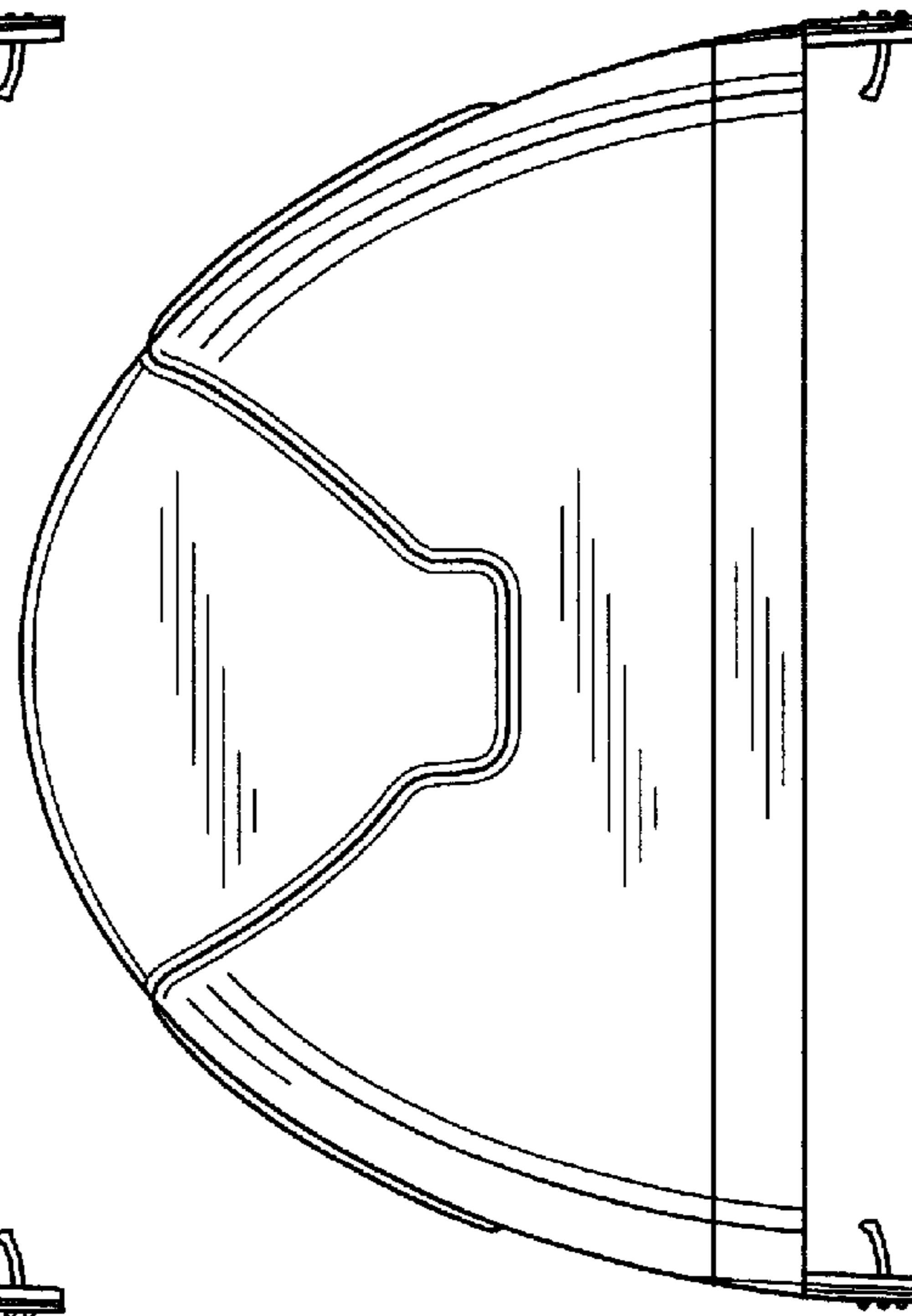


FIG. 7