



US00D602577S

(12) **United States Design Patent**
Miyazawa et al.

(10) **Patent No.:** **US D602,577 S**

(45) **Date of Patent:** **** Oct. 20, 2009**

- (54) **FAN**
- (75) Inventors: **Masashi Miyazawa**, Nagano (JP);
Toshiki Ogawara, Nagano (JP);
Tomoaki Ikeda, Nagano (JP)
- (73) Assignee: **Sanyo Denki Co., Ltd.**, Tokyo (JP)

TW	533010	5/2003
TW	568717	12/2003
TW	D101679 1	12/2004
TW	D101857	12/2004
TW	D102476	1/2005
TW	D101679 4	2/2005
TW	D101679 5	2/2005

- (**) **Term:** **14 Years**
- (21) **Appl. No.:** **29/247,046**
- (22) **Filed:** **May 25, 2006**

OTHER PUBLICATIONS

Products information announced on the Internet Website of Sanyo Denki Co., Ltd. dated Feb. 15, 2005, (http://www.sanyodenki.co.jp/release/20050215_e.html).

* cited by examiner

Primary Examiner—Selina Sikder

(74) *Attorney, Agent, or Firm*—Rankin, Hill & Clark LLP

- (30) **Foreign Application Priority Data**
Nov. 30, 2005 (JP) 2005-035379

(57) **CLAIM**

- (51) **LOC (9) Cl.** **23-04**
- (52) **U.S. Cl.** **D23/370; D13/179**
- (58) **Field of Classification Search** D13/179;
D23/351, 354, 370; 165/122; 361/695; 415/61,
415/176, 191; 416/178, 185
See application file for complete search history.

The ornamental design for a fan, as shown and described.

DESCRIPTION

(56) **References Cited**

U.S. PATENT DOCUMENTS

6,540,479 B2 *	4/2003	Liao et al.	415/199.5
D487,800 S	3/2004	Chen et al.	
D492,986 S	7/2004	Chiu et al.	
D506,540 S	6/2005	Chiu et al.	
D507,637 S	7/2005	Chiu et al.	
D507,638 S	7/2005	Chiu et al.	
7,054,156 B2 *	5/2006	Espinoza-Ibarra et al. ..	361/695
7,154,750 B2 *	12/2006	Li et al.	361/695
7,184,268 B2 *	2/2007	Espinoza-Ibarra et al. ..	361/695
D560,622 S *	1/2008	Ishihara et al.	D13/179
7,391,611 B2 *	6/2008	Ko et al.	361/695
2006/0093475 A1 *	5/2006	Liu et al.	415/176
2007/0152519 A1 *	7/2007	Jarrah et al.	310/58
2007/0253161 A1 *	11/2007	Liu et al.	361/695
2007/0286724 A1 *	12/2007	Takemoto et al.	415/208.2
2008/0225480 A1 *	9/2008	Kayama et al.	361/695

FIG. 1 is a front elevation view of a fan.
 FIG. 2 is a rear elevation view.
 FIG. 3 is a right side elevation view.
 FIG. 4 is a left side elevation view.
 FIG. 5 is a top plan view.
 FIG. 6 is a bottom plan view.
 FIG. 7 is an end view as taken along 7—7 line in FIG. 3.
 FIG. 8 is an end view as taken along 8—8 line in FIG. 3, omitting the interior mechanism of a motor.
 FIG. 9 is a cross sectional view as taken along 9—9 line in FIG. 1, omitting the interior mechanism of a motor.
 FIG. 10 is an enlarged cross sectional view as taken along 10—10 line in FIG. 1.
 FIG. 11 is a cross sectional view as taken along 10—10 line in FIG. 1; and,
 FIG. 12 is a perspective view for reference.

The broken lines define portions of the fan that form no part of the claimed design.

FOREIGN PATENT DOCUMENTS

TW 518181 1/2003

1 Claim, 12 Drawing Sheets

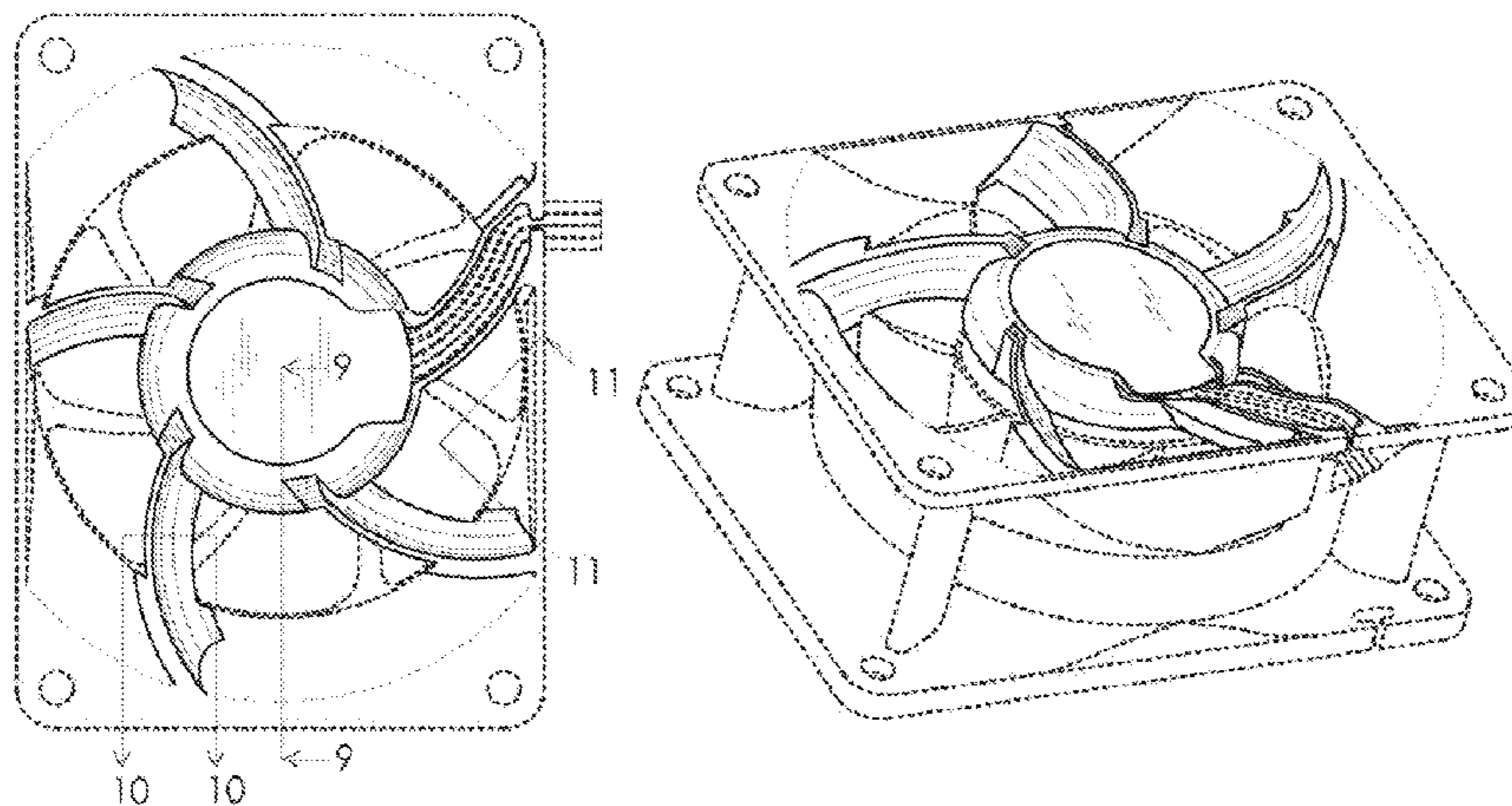


Fig. 1

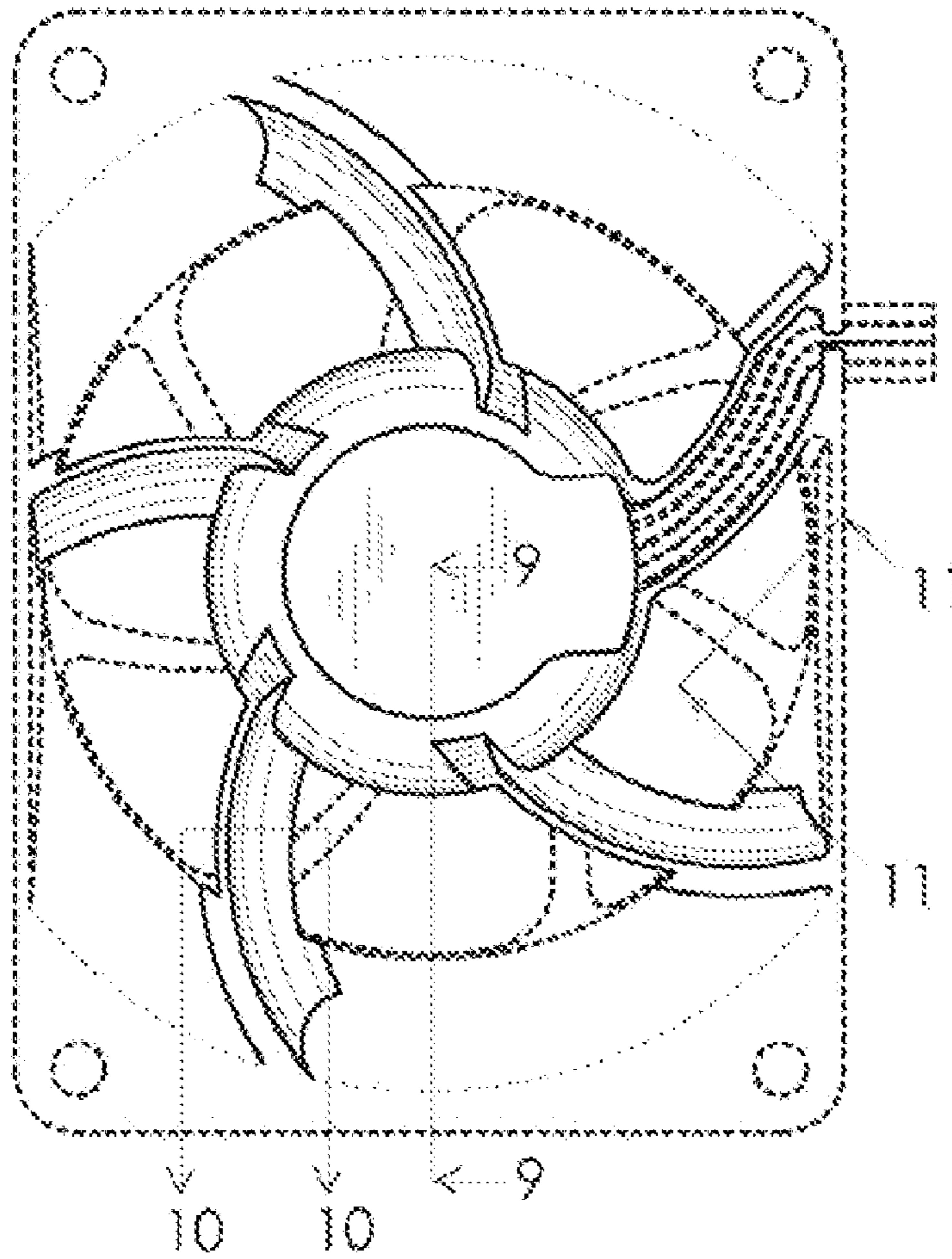


Fig. 2

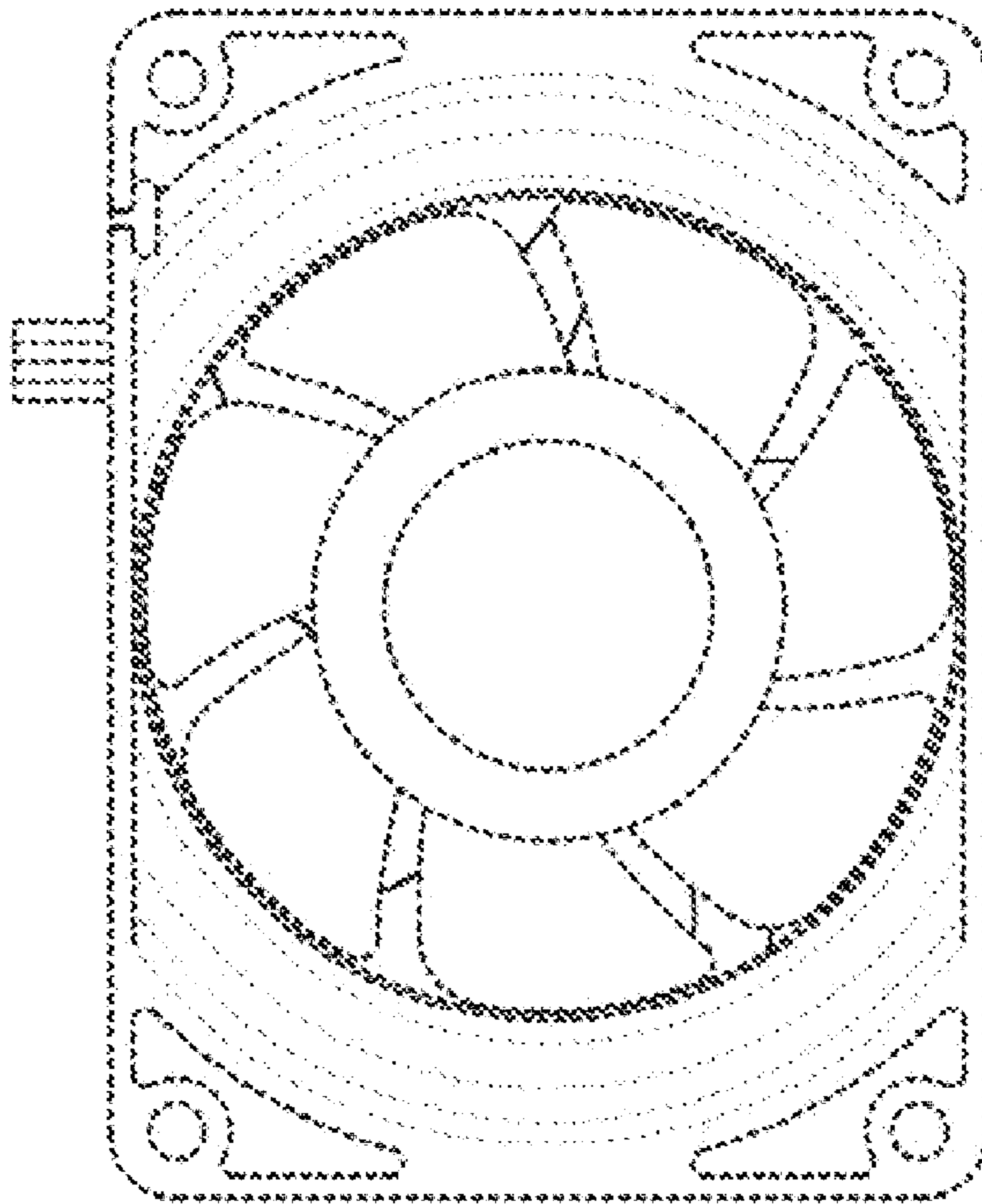


Fig. 3

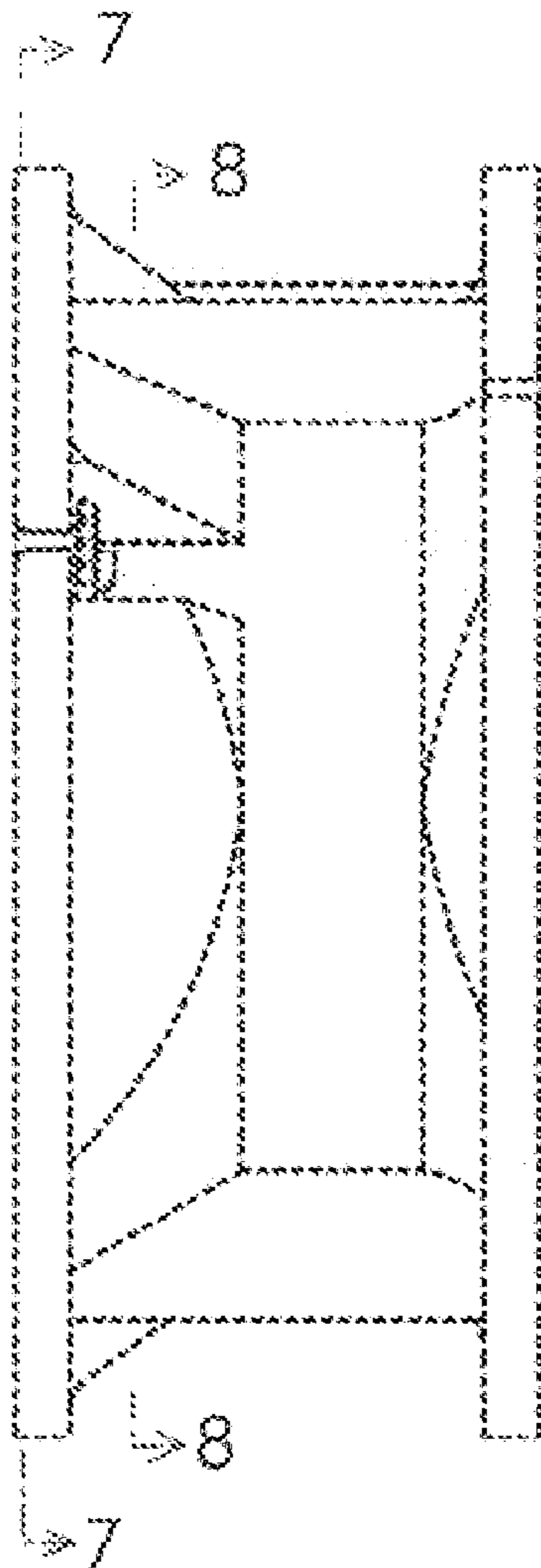


Fig. 4

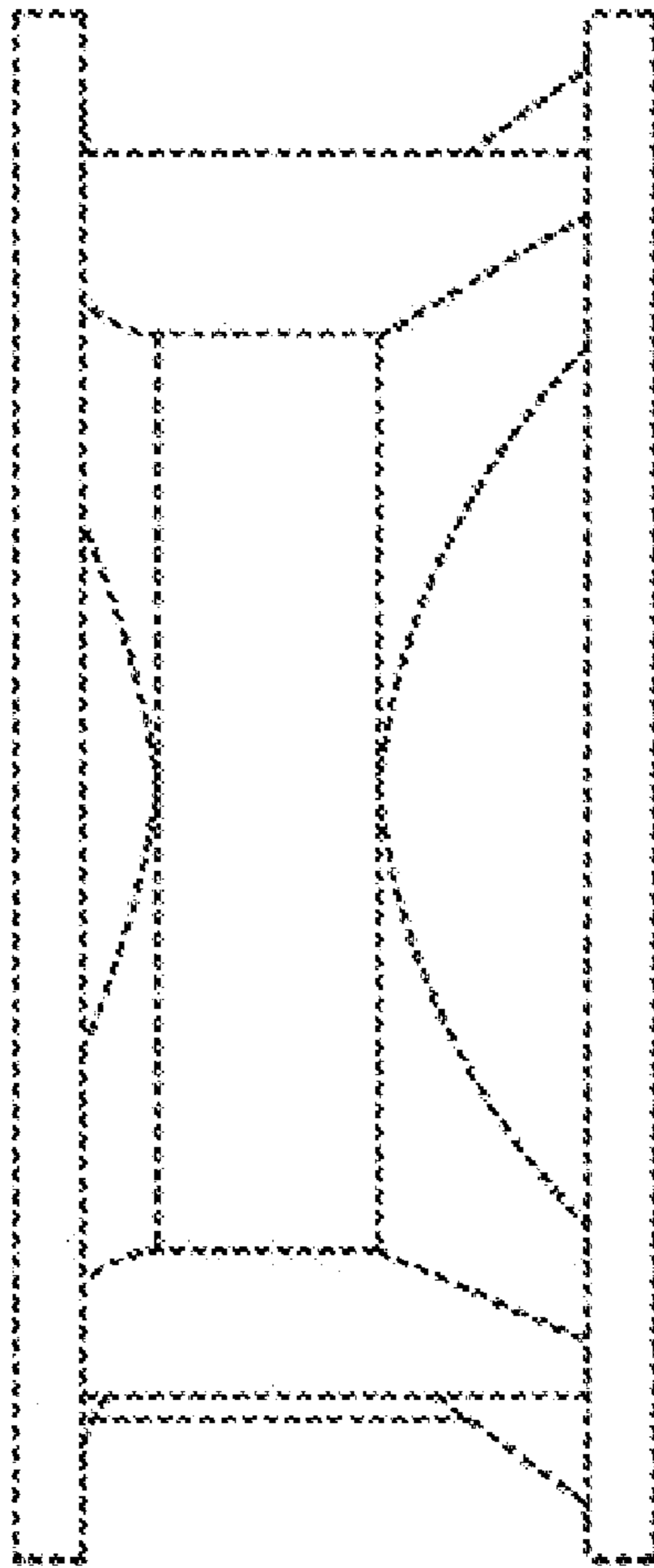


Fig. 5

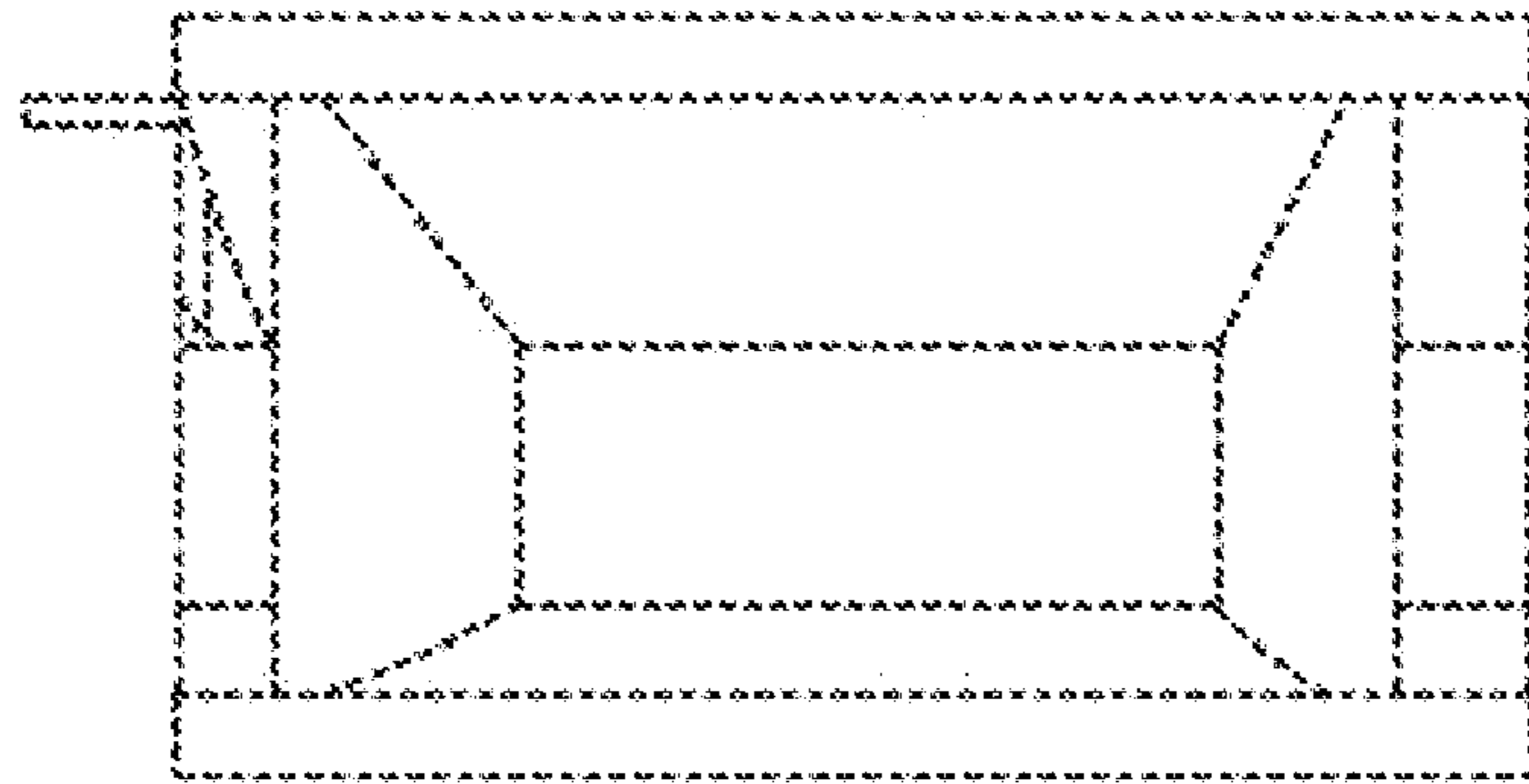


Fig. 6

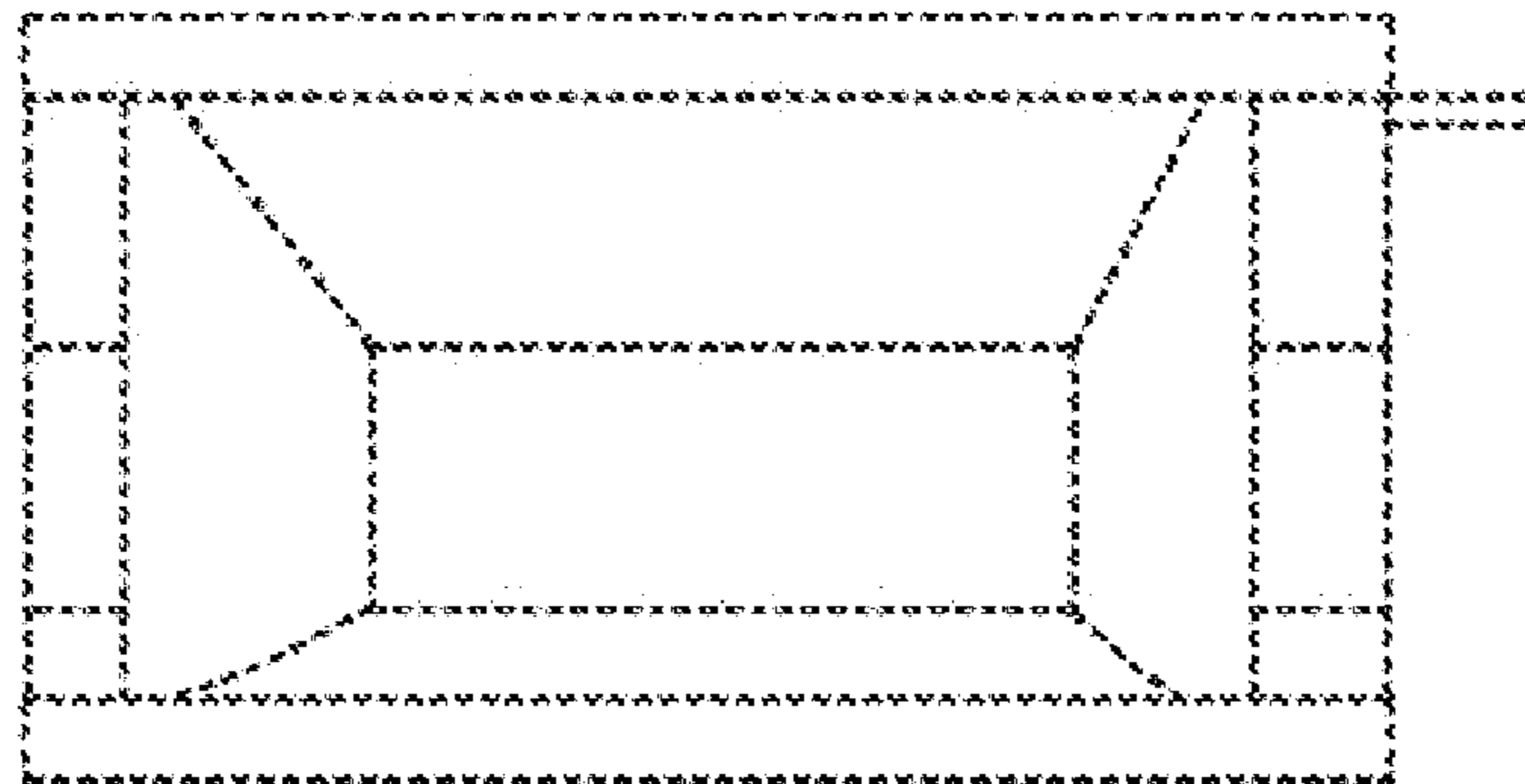


Fig. 7

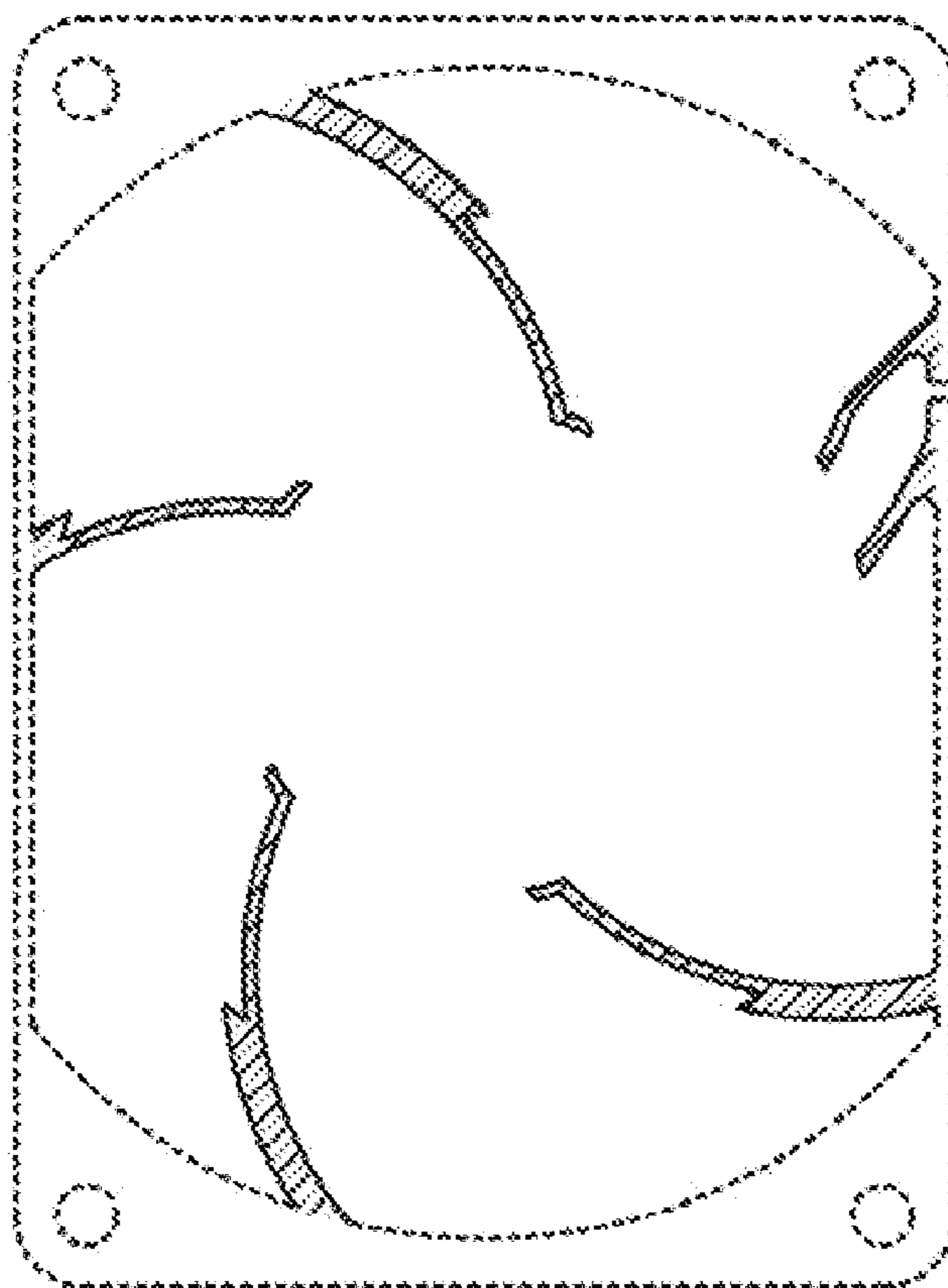


Fig. 8

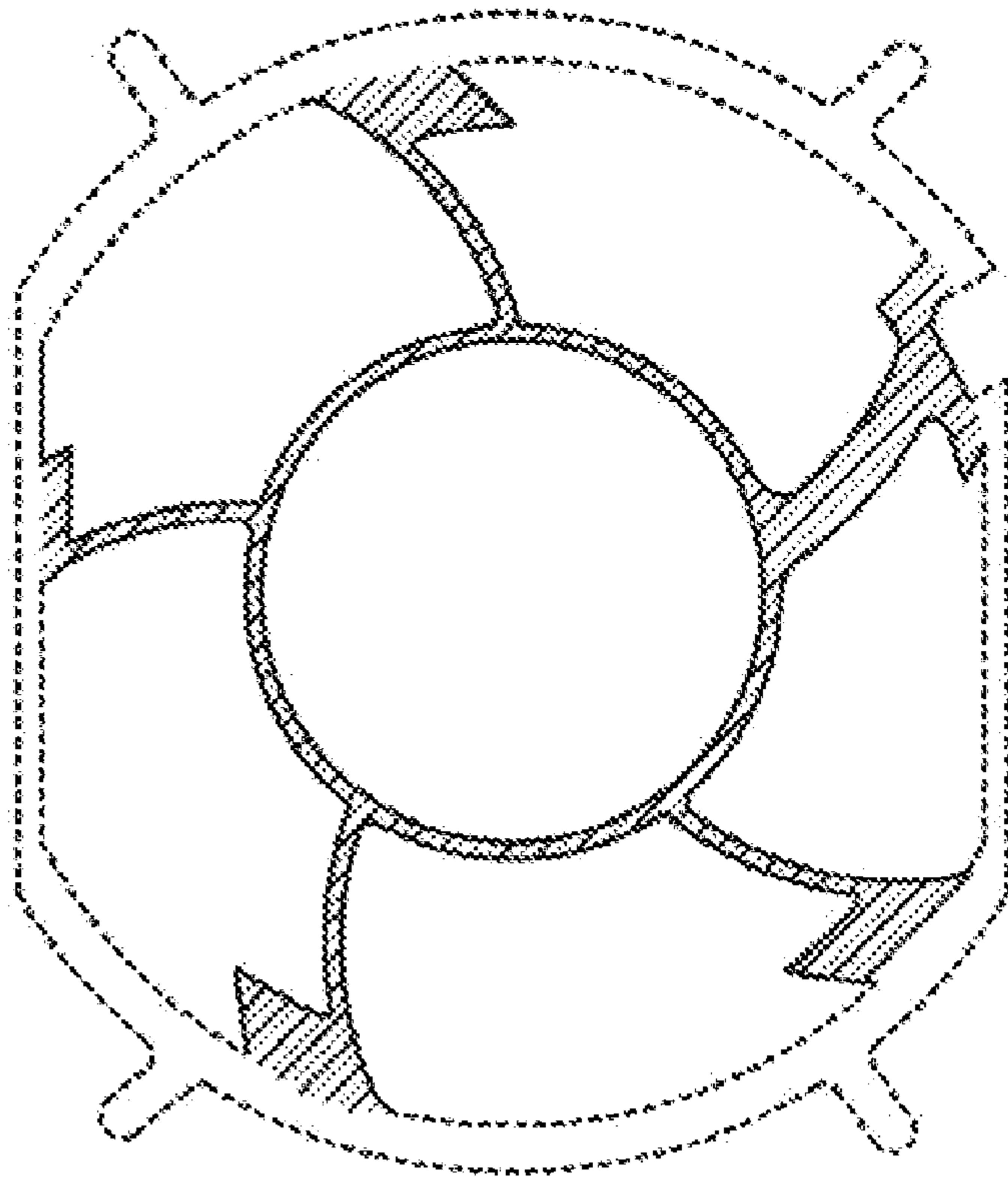


Fig. 9

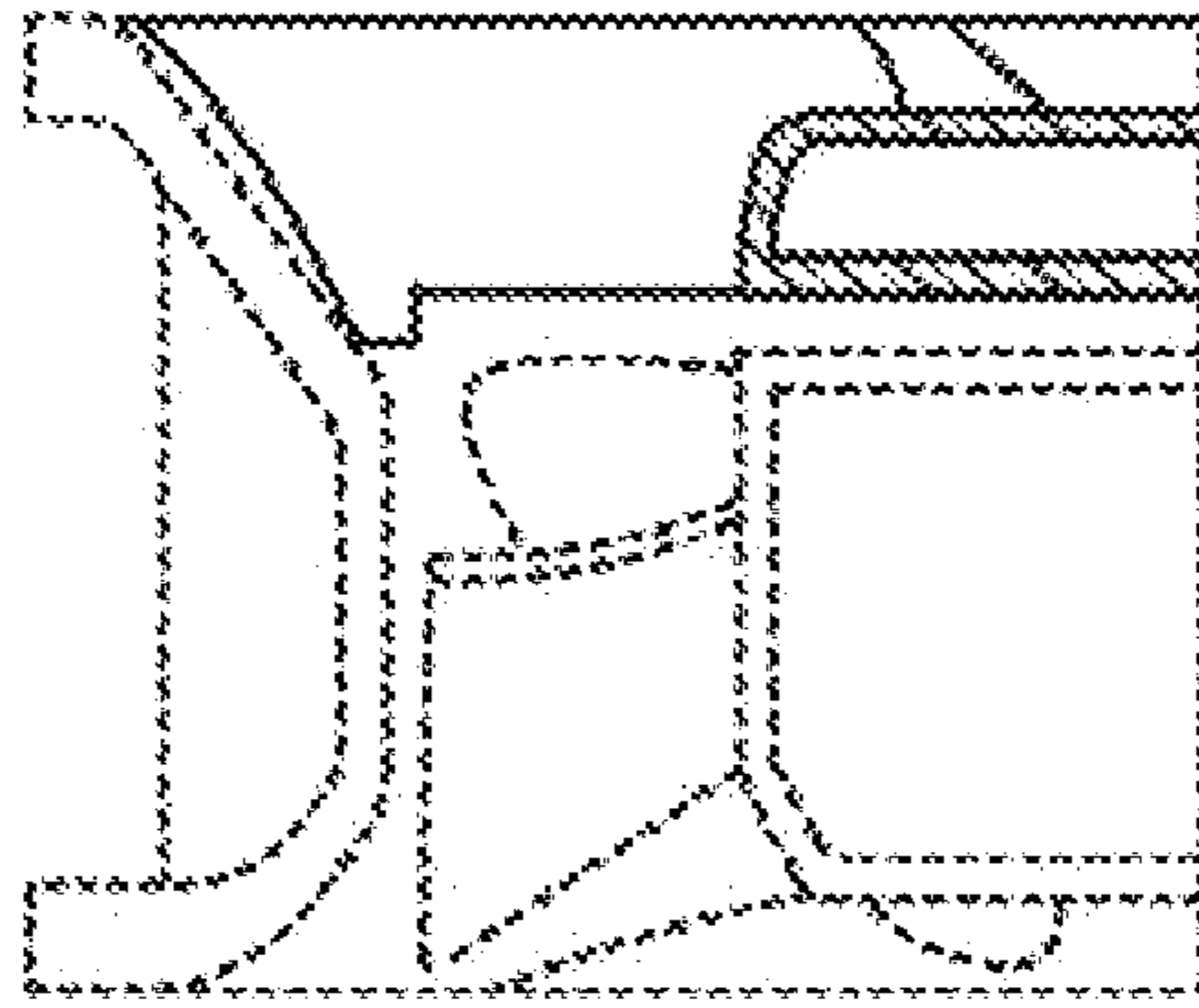


Fig. 10



Fig. 11

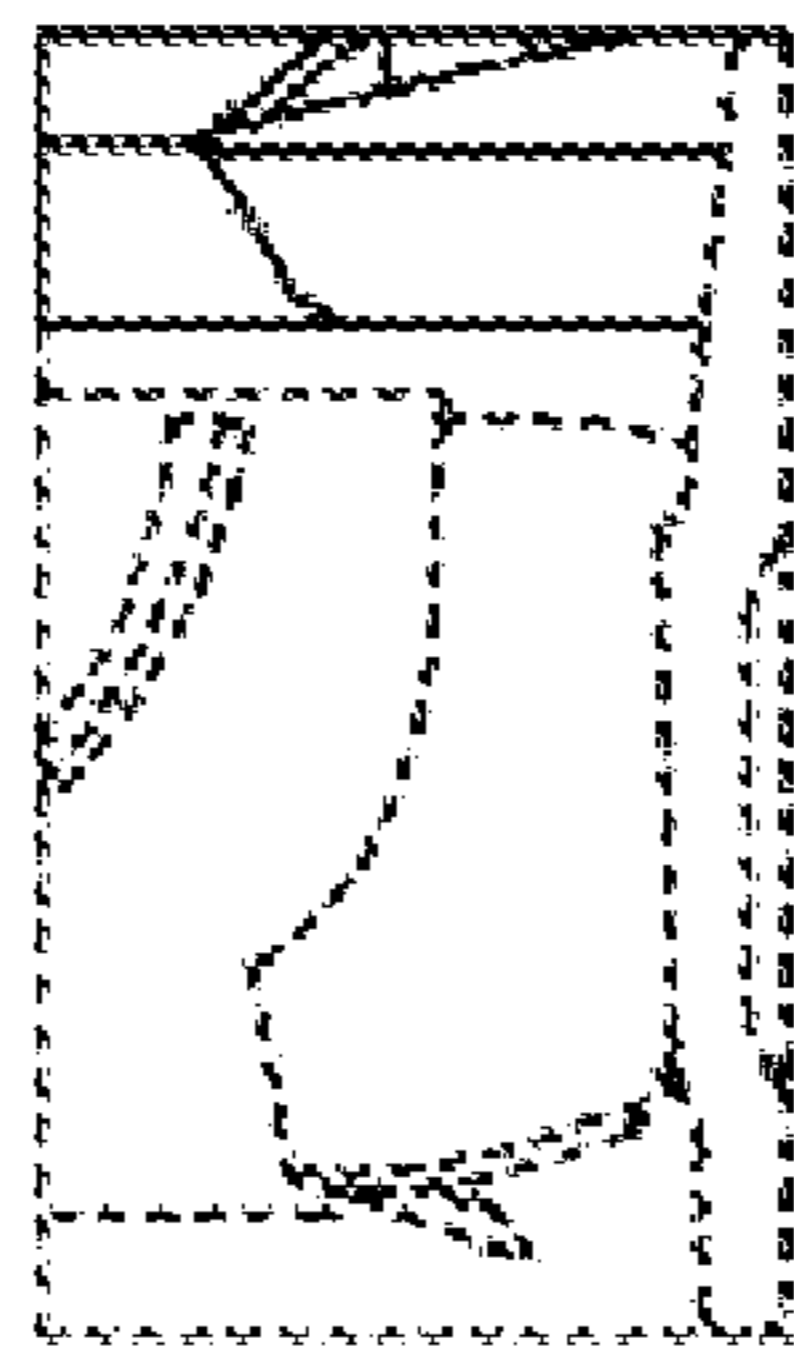


Fig. 12

