



US00D602575S

(12) **United States Design Patent**  
**Breda**

(10) **Patent No.:** **US D602,575 S**  
(45) **Date of Patent:** **\*\* Oct. 20, 2009**

(54) **SHOWER STRAINER**

(57) **CLAIM**

(76) **Inventor:** **Silvano Breda**, 125 Limestone Crescent,  
Downsview, Ontario (CA) M3J 2R1

The ornamental design for a shower strainer, as shown and described.

(\*\*) **Term:** **14 Years**

**DESCRIPTION**

(21) **Appl. No.:** **29/290,778**

FIG. 1 is a perspective view of the assembled square shower strainer embodying the design;

(22) **Filed:** **Jan. 14, 2008**

FIG. 2 is a top view of the square shower strainer cap embodying the design;

(30) **Foreign Application Priority Data**

Nov. 19, 2007 (CA) ..... 123273

FIG. 3 is a first embodiment of the design showing a perspective bottom view of the square shower strainer cap;

(51) **LOC (9) Cl.** ..... **23-01**

FIG. 4 is a first embodiment of the design showing a bottom view of the square strainer cap;

(52) **U.S. Cl.** ..... **D23/261**

FIG. 5 is a second embodiment of the design showing an alternate bottom view of the square strainer cap of the shower strainer;

(58) **Field of Classification Search** ..... D23/259–269;  
4/286–295, 679–694, 596–614

See application file for complete search history.

FIG. 6 is a third embodiment of the design showing an alternate bottom view of the square strainer cap of the shower strainer;

(56) **References Cited**

**U.S. PATENT DOCUMENTS**

D27,287 S *	7/1897	Kunzler	.....	D23/266
D222,354 S *	10/1971	Foltz	.....	D23/261
D236,204 S *	8/1975	Cooper	.....	D23/261
D269,111 S *	5/1983	Logsdon	.....	D23/269
D325,774 S *	4/1992	Manville et al.	.....	D23/261
D327,534 S *	6/1992	Manville et al.	.....	D23/261
D452,899 S *	1/2002	Salisbury	.....	D23/261
2007/0209109 A1 *	9/2007	Meyers	.....	4/613
2008/0222795 A1 *	9/2008	Cook	.....	4/613
2008/0222797 A1 *	9/2008	Cook	.....	4/613
2008/0276364 A1 *	11/2008	Barro et al.	.....	4/613

FIG. 7 is a first embodiment of the design showing a perspective front view of the strainer adaptor of the shower strainer;

FIG. 8 is a first embodiment showing a top view of the strainer adaptor of the shower strainer;

FIG. 9 is a second embodiment of the design of an alternate top view of the strainer adaptor of the shower strainer;

FIG. 10 is a third embodiment of the design of another alternate top view of the strainer adaptor of the shower strainer;

FIG. 11 is a fourth embodiment of the design showing an alternate perspective bottom view of the square strainer cap of the shower strainer;

FIG. 12 is a fourth embodiment of the design showing an alternate bottom view of the square strainer cap of the shower strainer;

FIG. 13 is a fifth embodiment of the design showing an alternate bottom view of the square strainer cap of the shower strainer;

FIG. 14 is a sixth embodiment of the design showing an alternate bottom view of the square strainer cap of the shower strainer;

\* cited by examiner

*Primary Examiner*—T. Chase Nelson

*Assistant Examiner*—Eric L Goodman

(74) *Attorney, Agent, or Firm*—Neil H. Hughes; Ivor M. Hughes; Marcelo K. Sarkis

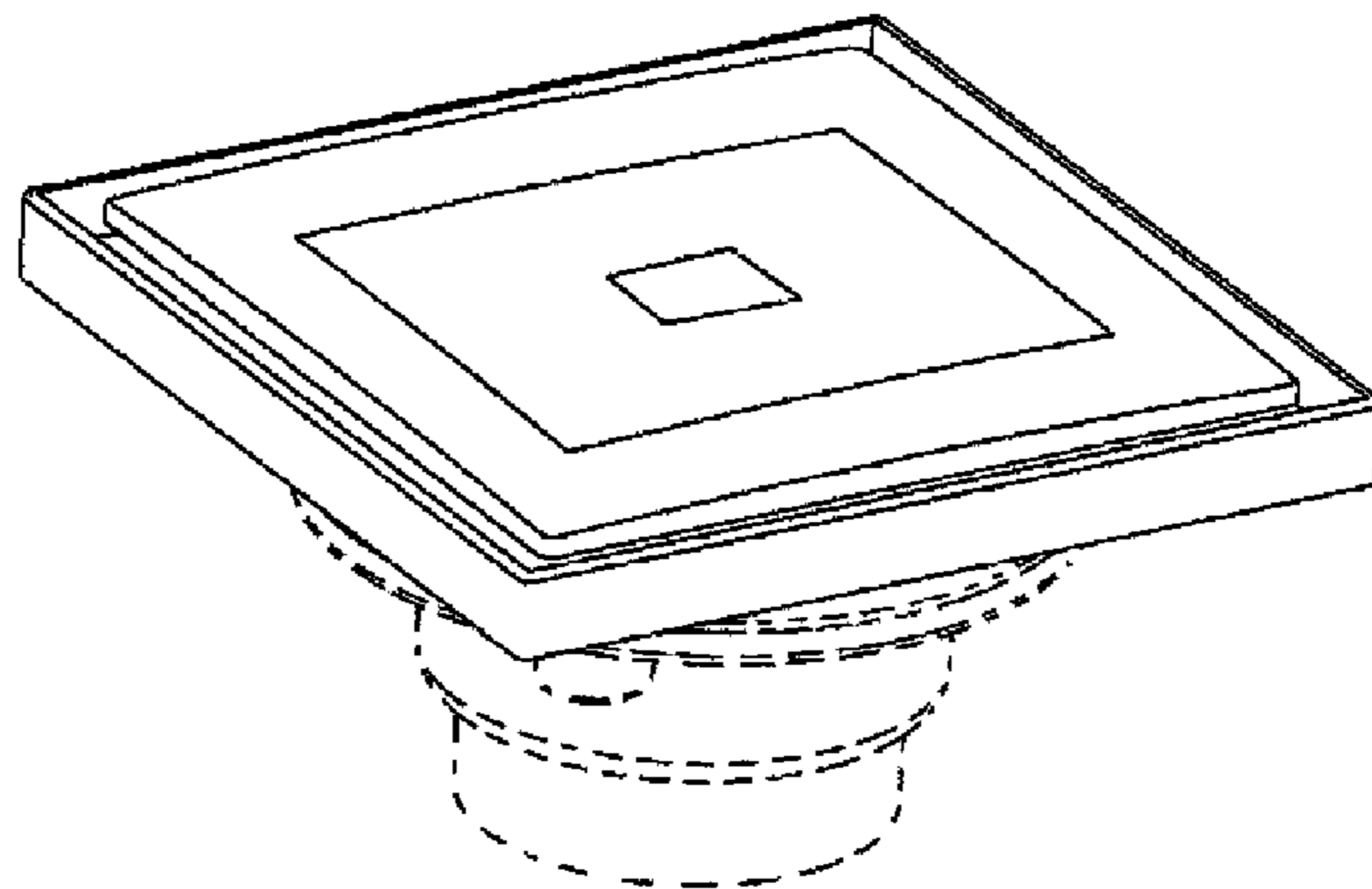


FIG. **15** is a fourth embodiment of the design showing a perspective front view of the strainer adaptor of the shower strainer;

FIG. **16** is a fourth embodiment of the design showing a top view of the strainer adaptor of the shower strainer;

FIG. **17** is a fifth embodiment of the design showing a top view of the strainer adaptor of the shower strainer;

FIG. **18** is a sixth embodiment of the design showing a top view of the strainer adaptor of the shower strainer;

FIG. **19** is a seventh embodiment of the design showing a perspective bottom view of a rectangular shower strainer cap;

FIG. **20** is a seventh embodiment of the design showing a perspective top view of a rectangular shower strainer adaptor;

FIG. **21** is a bottom view of the rectangular strainer cap of the rectangular shower strainer of FIG. **19**; and,

FIG. **22** is a top view of the rectangular strainer adaptor of the rectangular shower strainer of FIG. **20**.

Any broken lines shown in FIGS. **1–22** are included for the purpose of illustrating the environment of the articles in use and those portions of the article form no part of the claimed design.

**1 Claim, 7 Drawing Sheets**

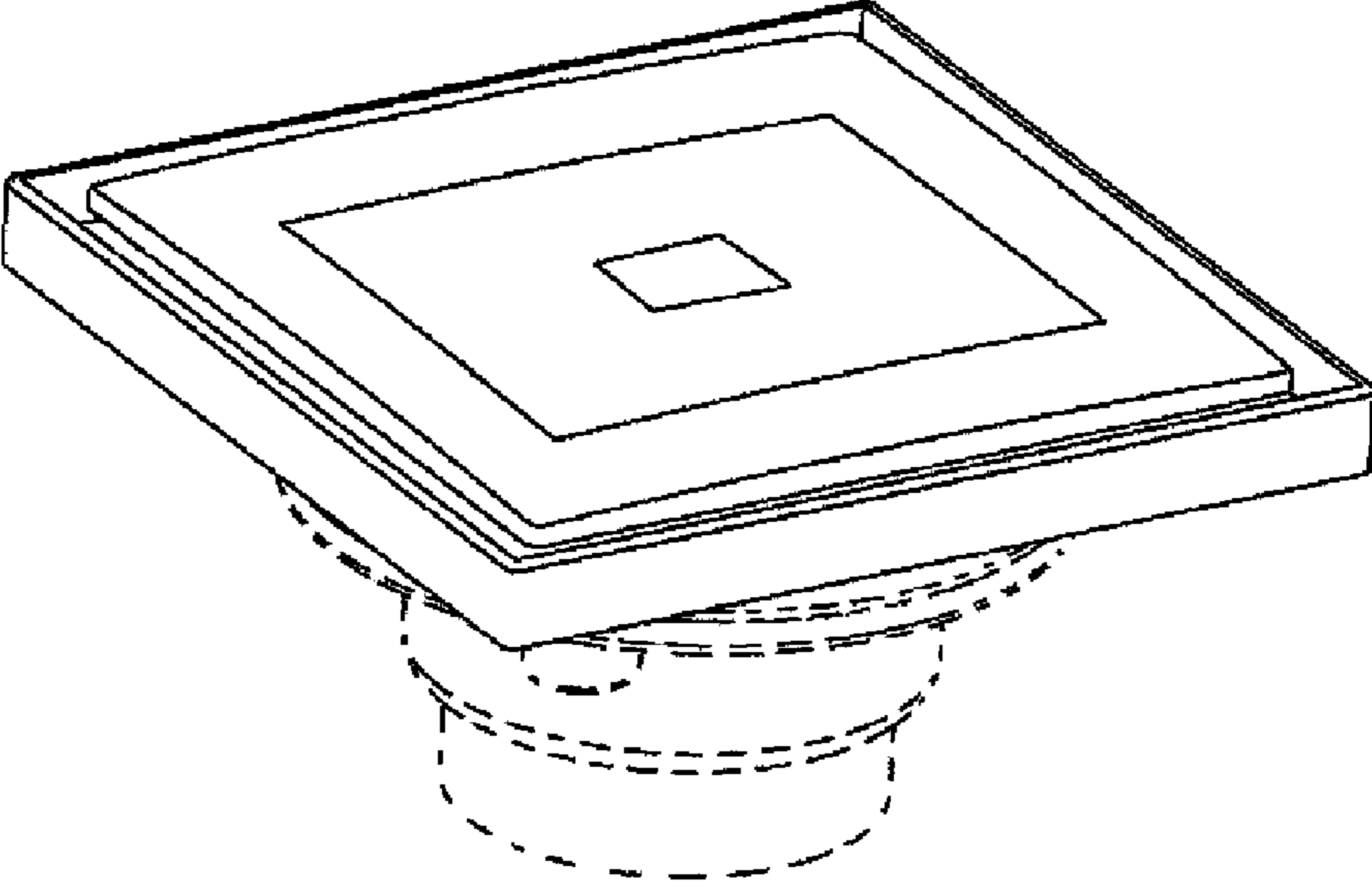


Figure 1

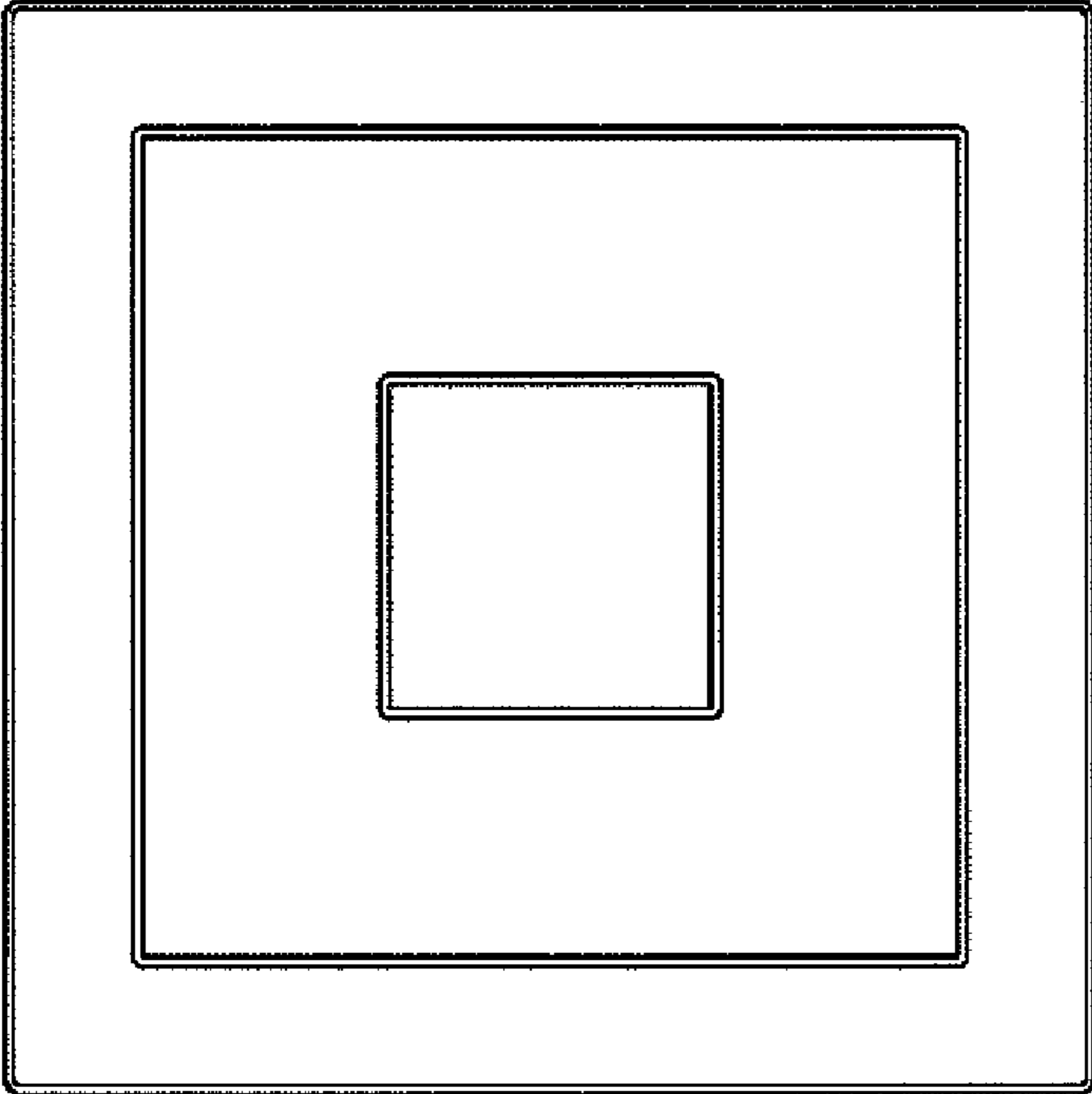


Figure 2

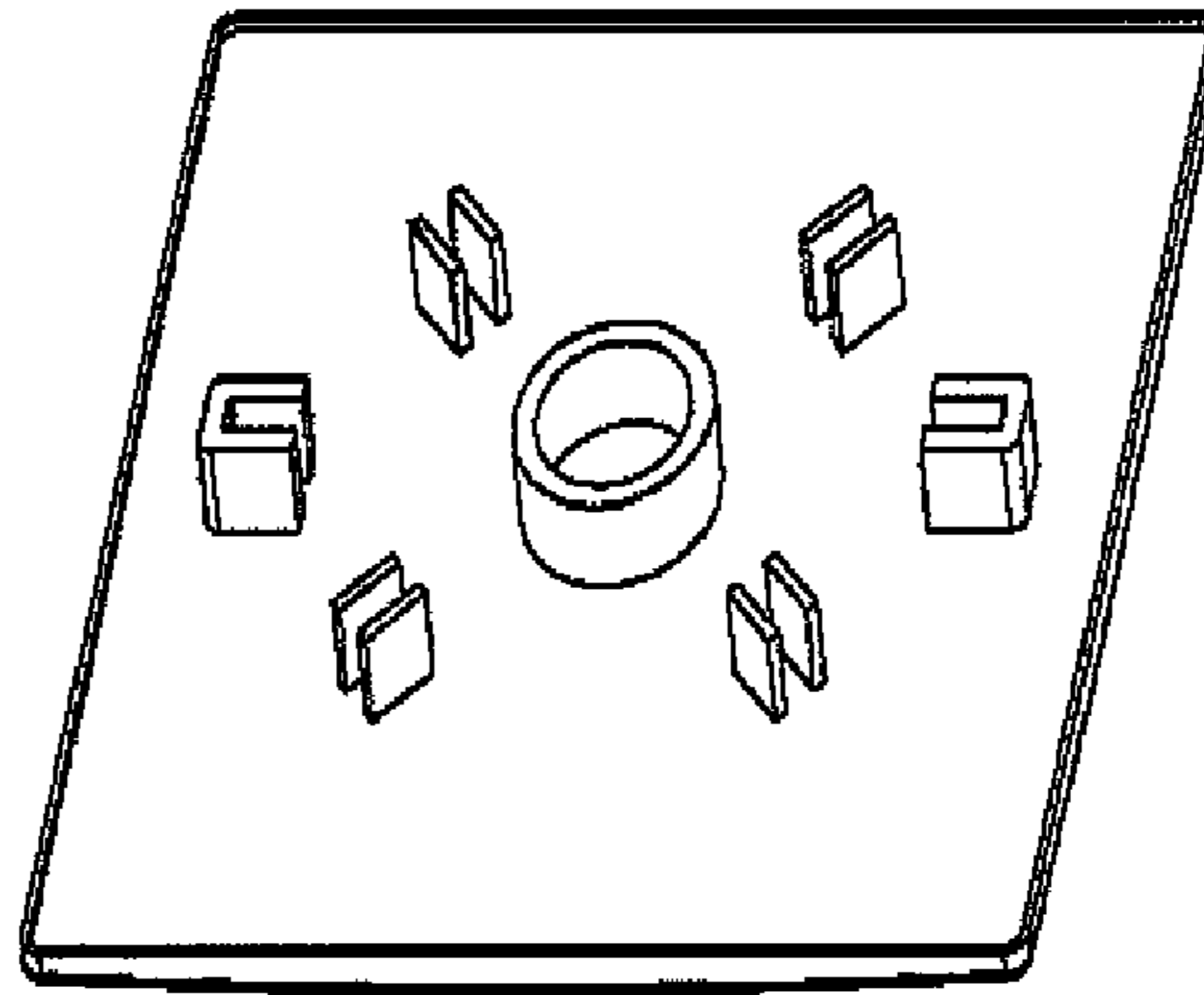


Figure 3

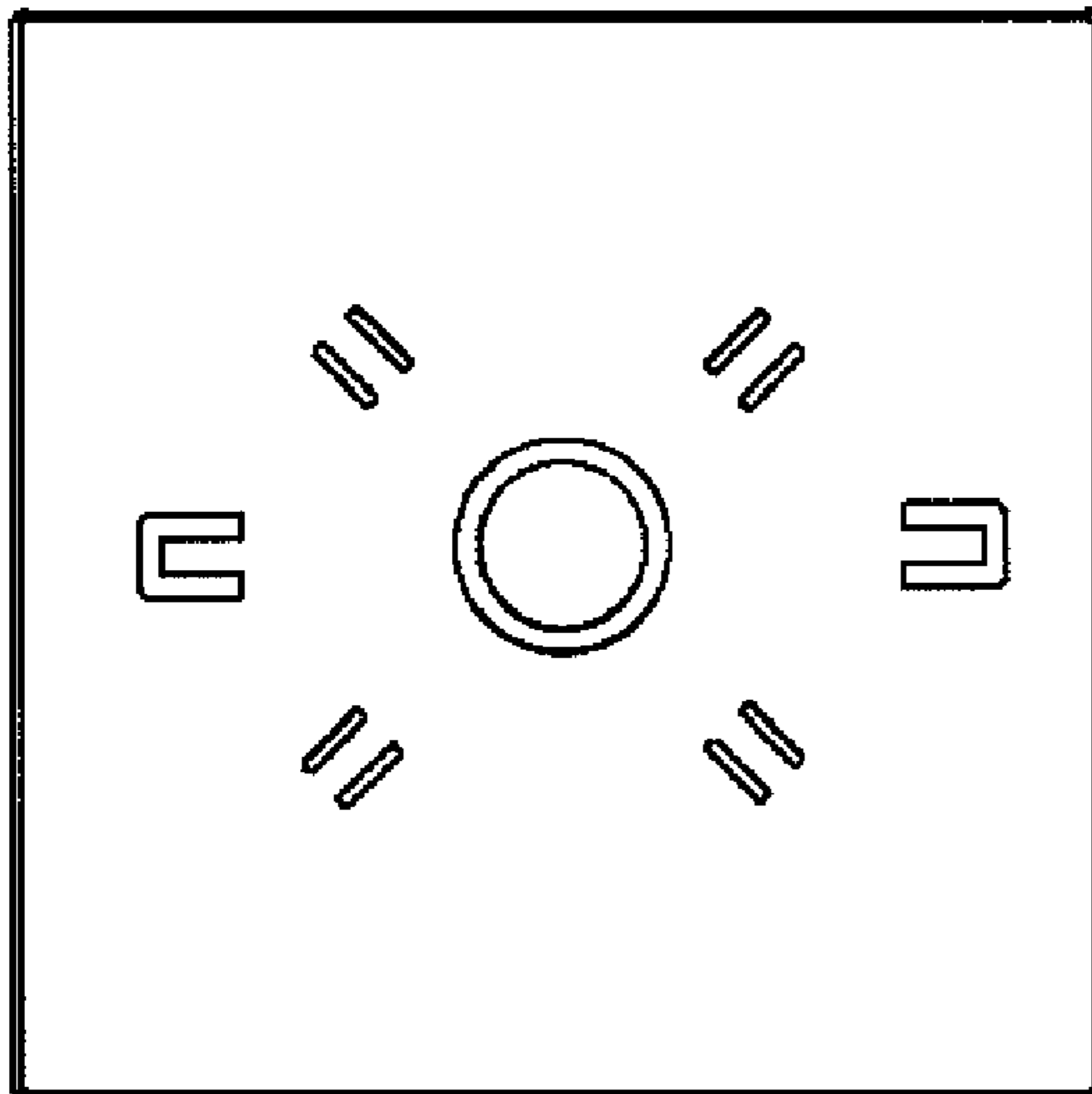


Figure 4

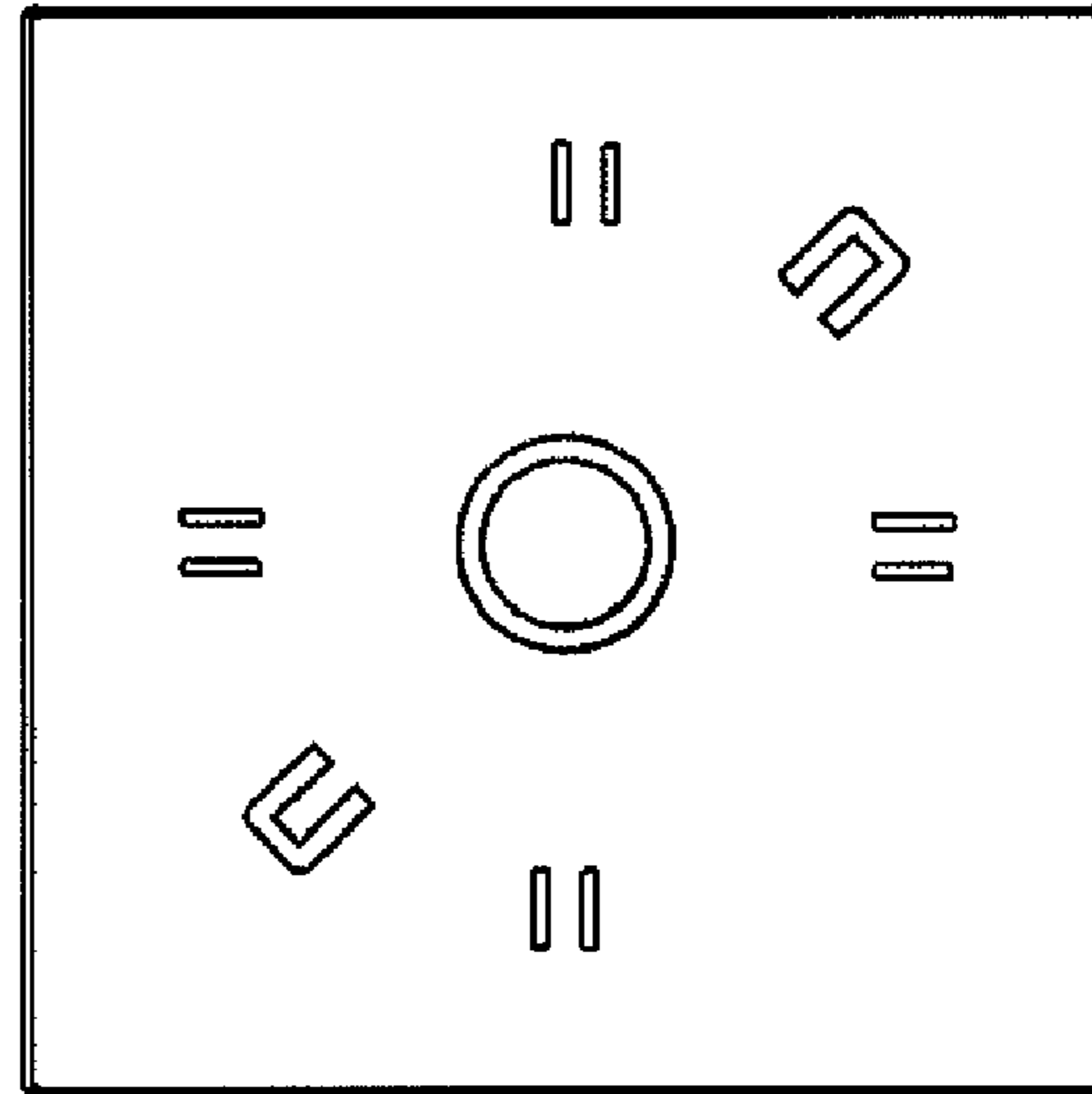


Figure 5

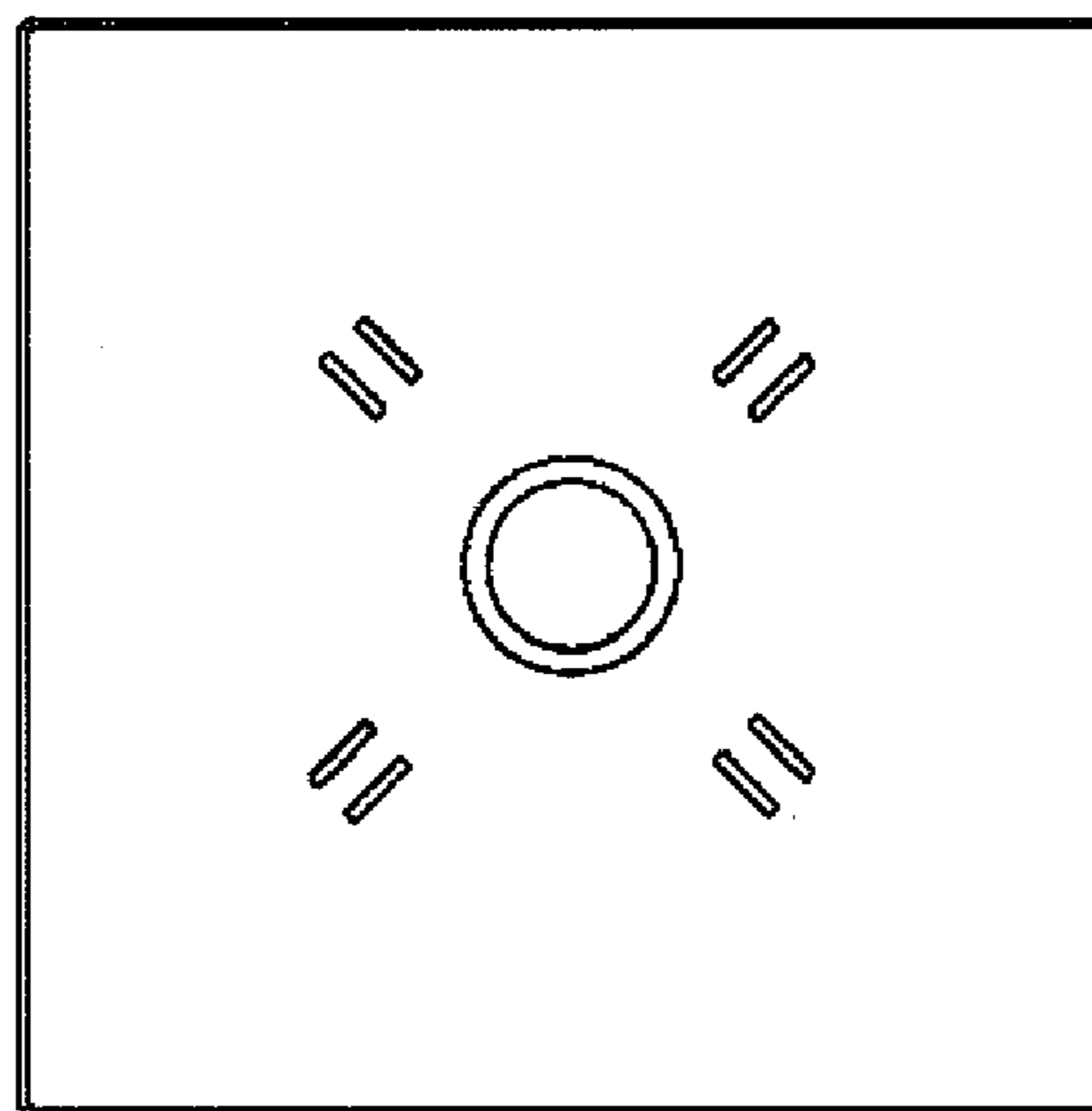


Figure 6

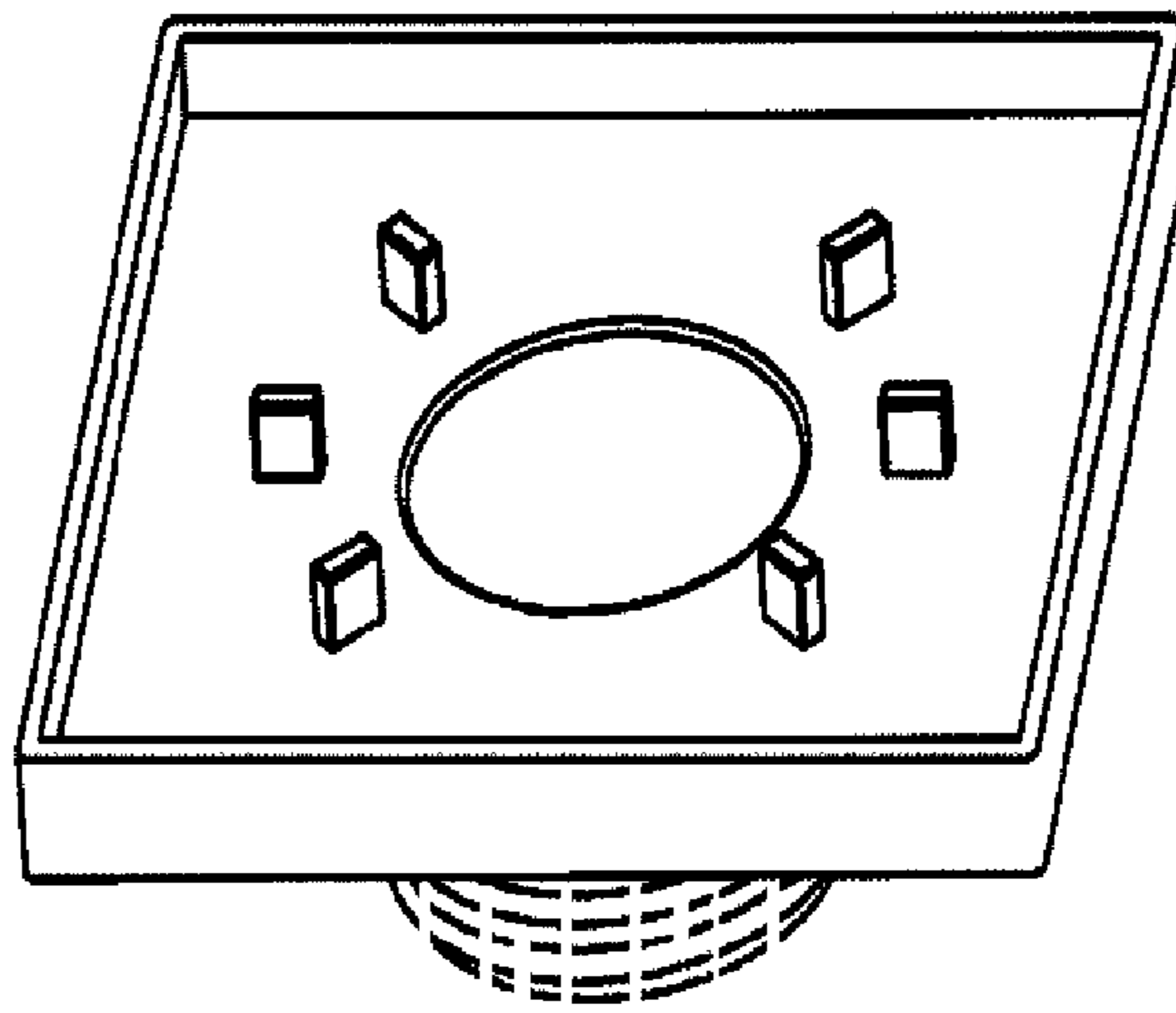


Figure 7

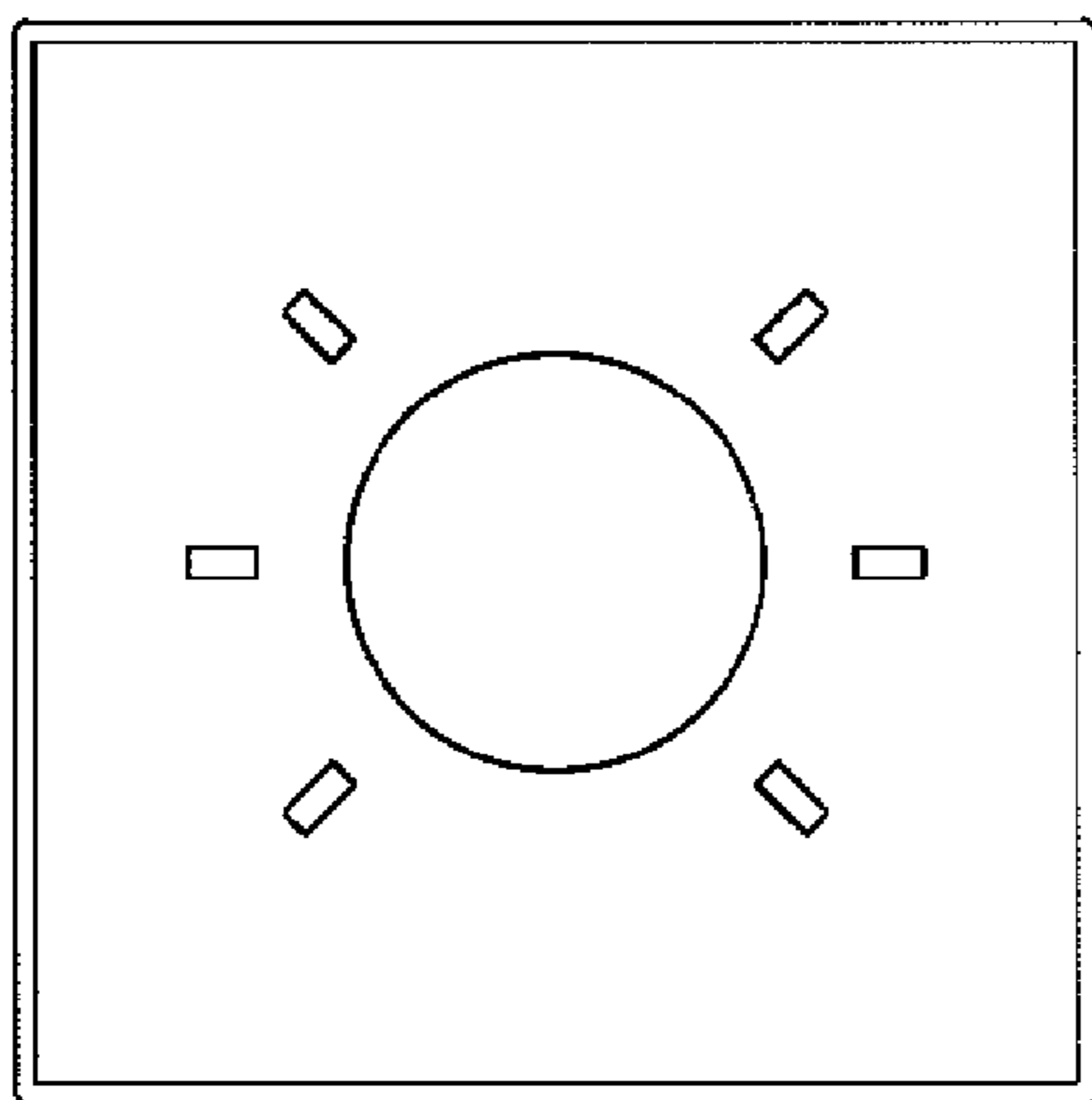


Figure 8

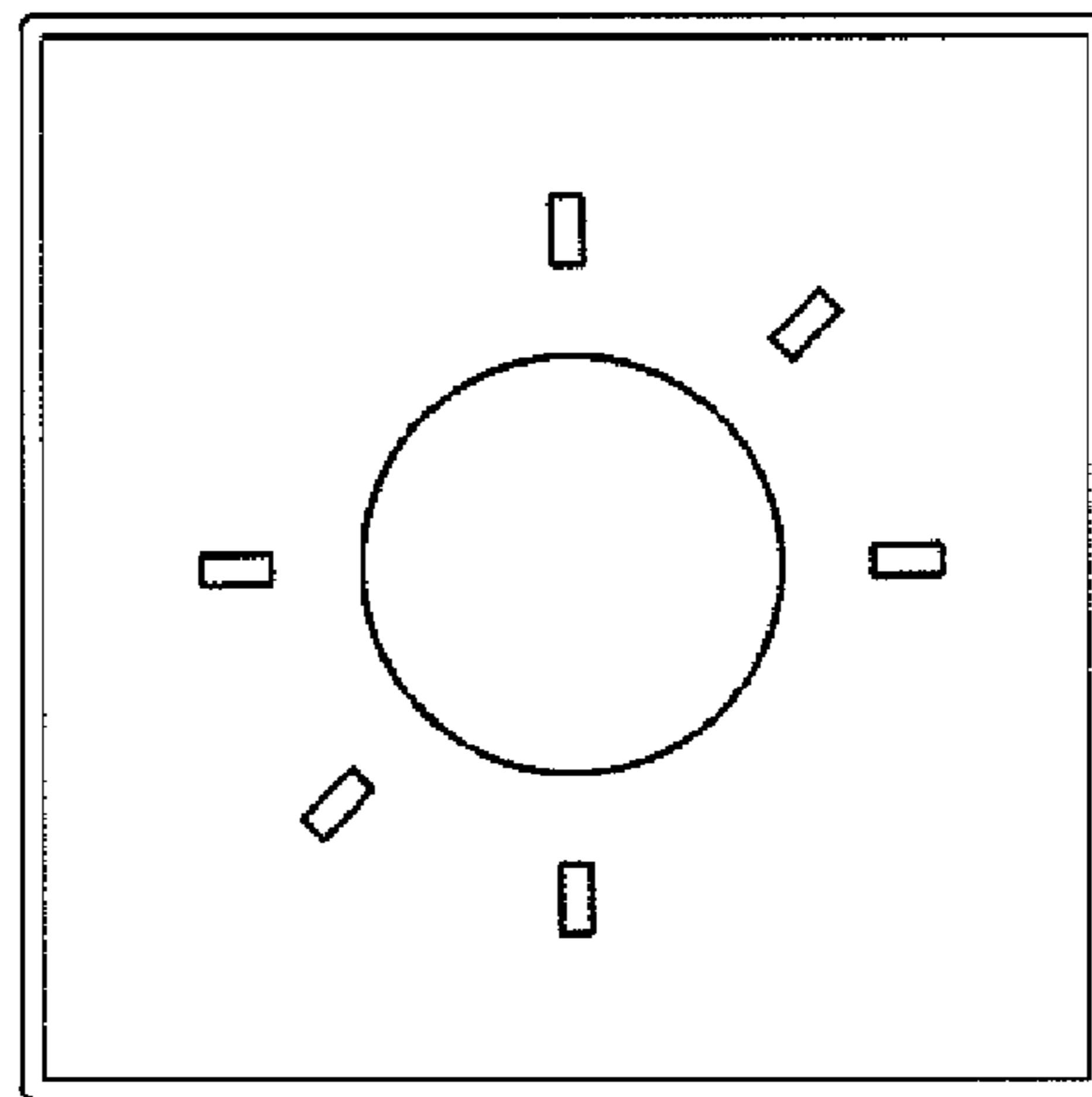


Figure 9

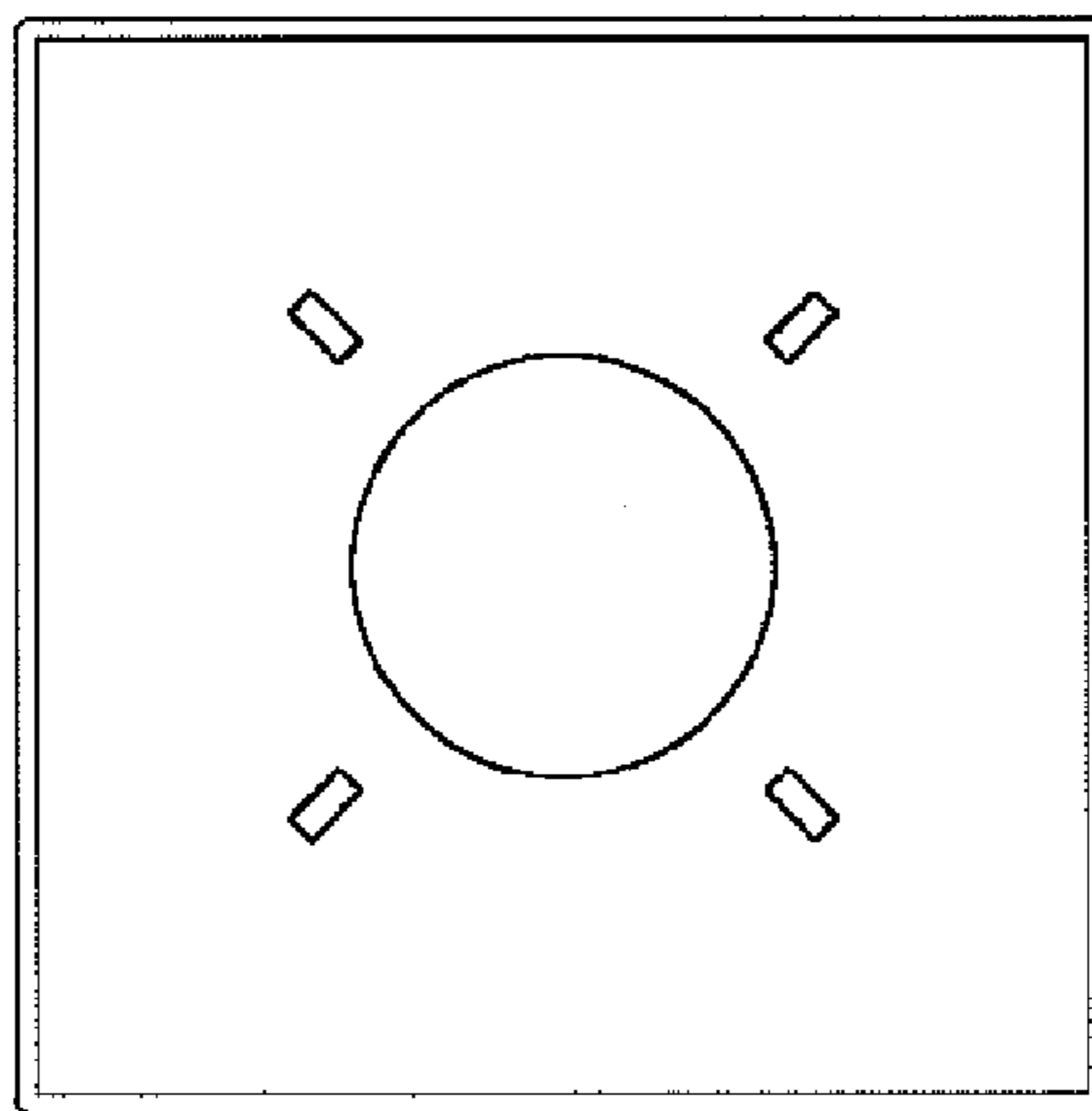


Figure 10

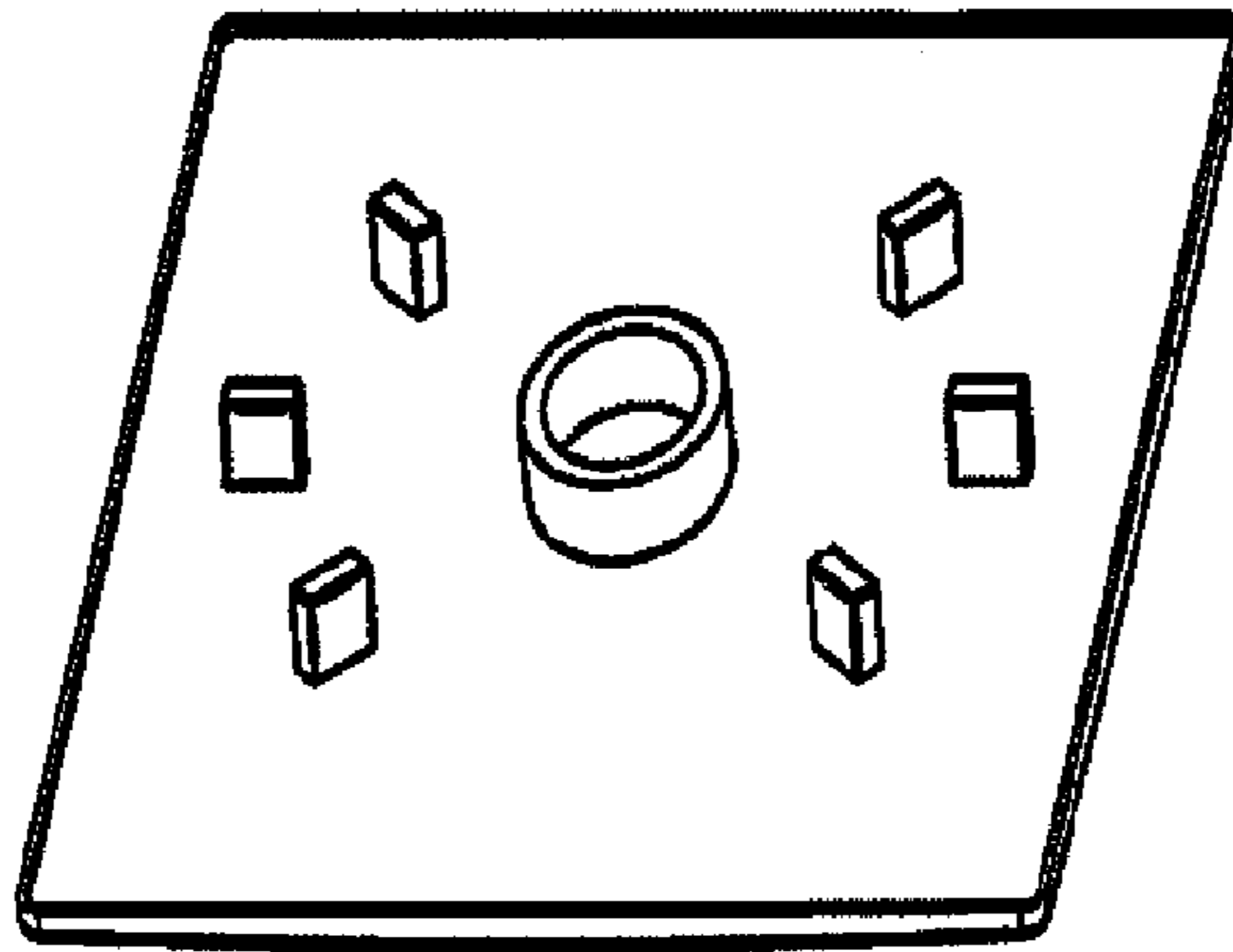


Figure 11

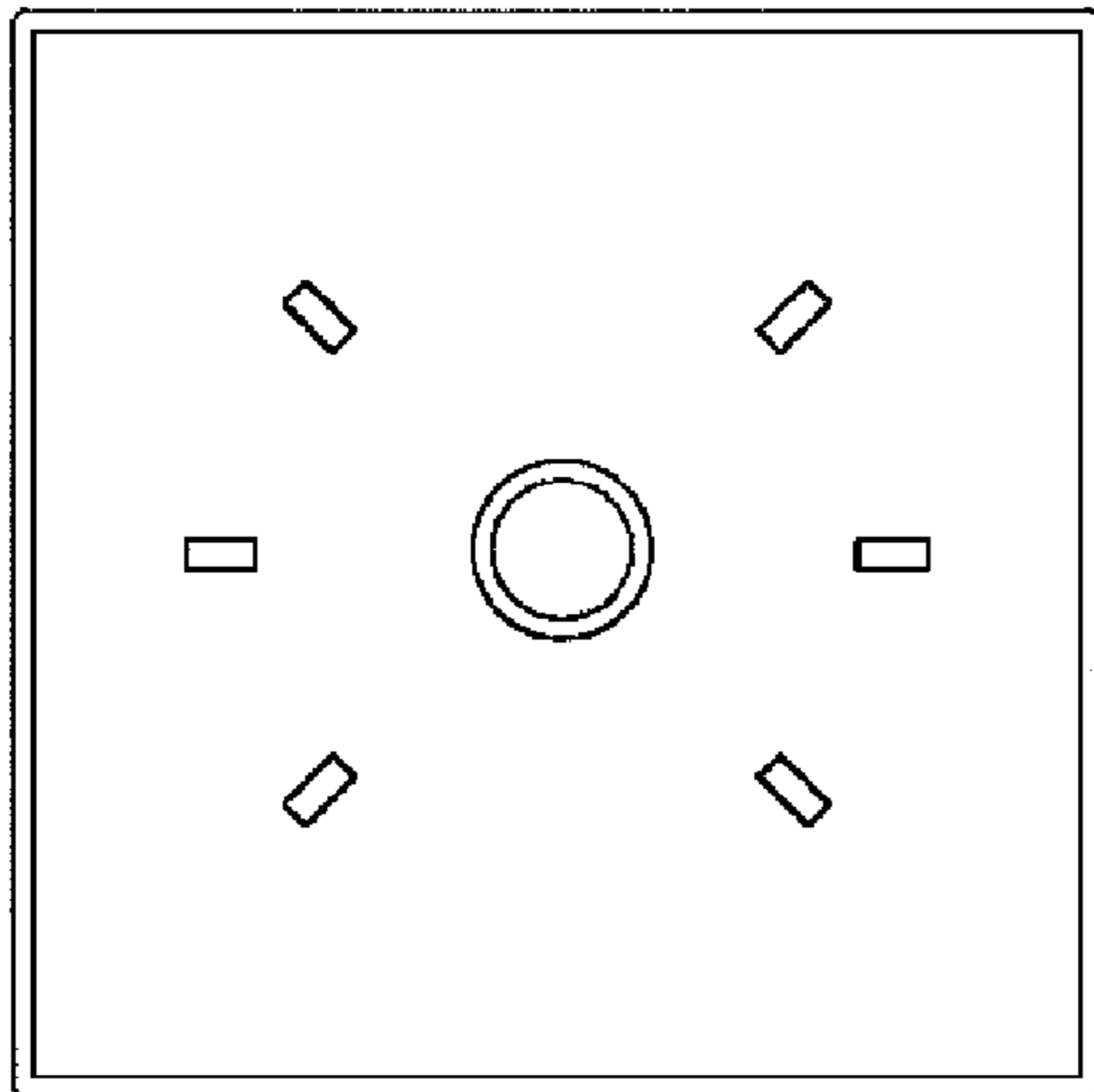


Figure 12

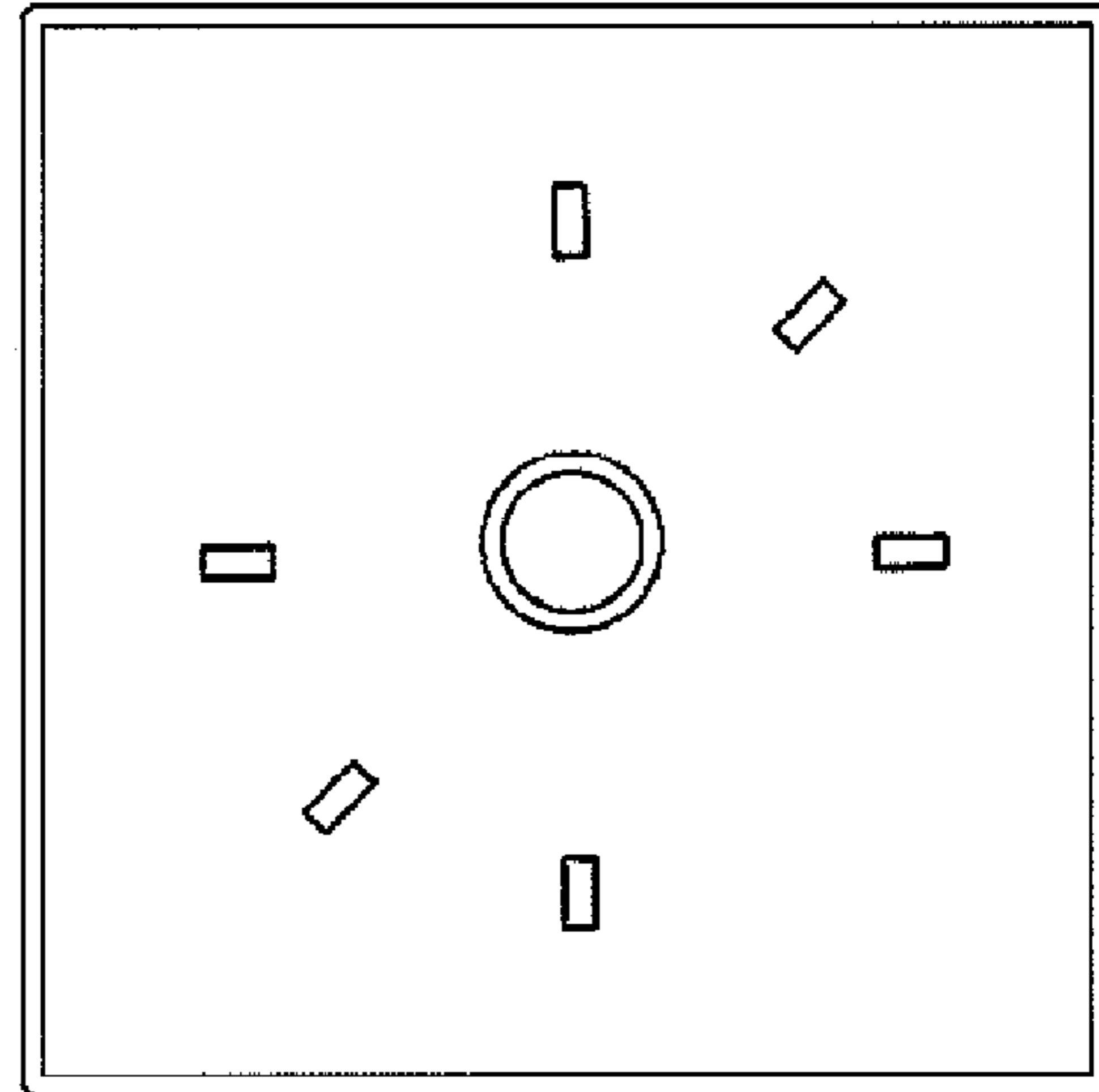


Figure 13

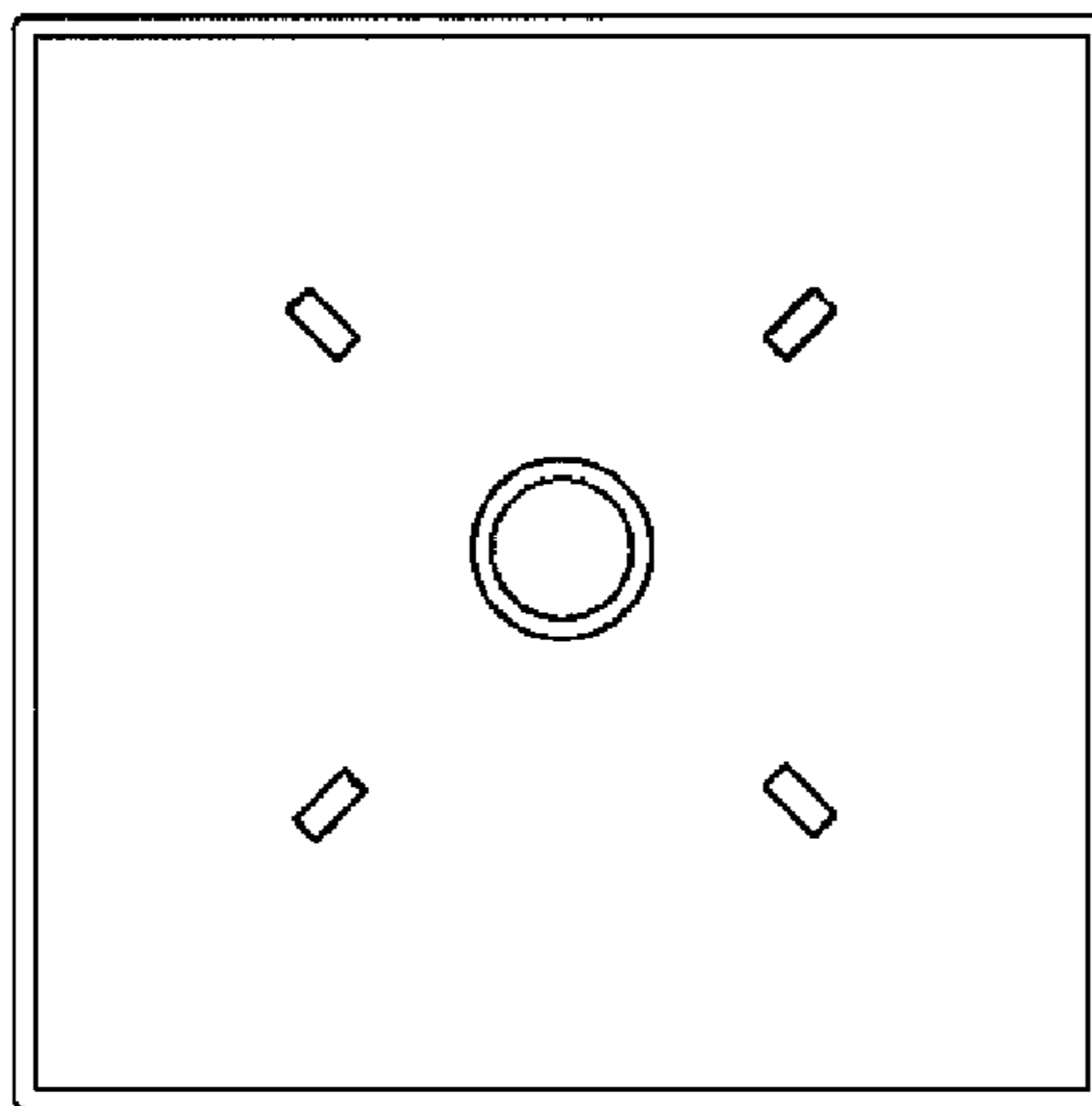


Figure 14

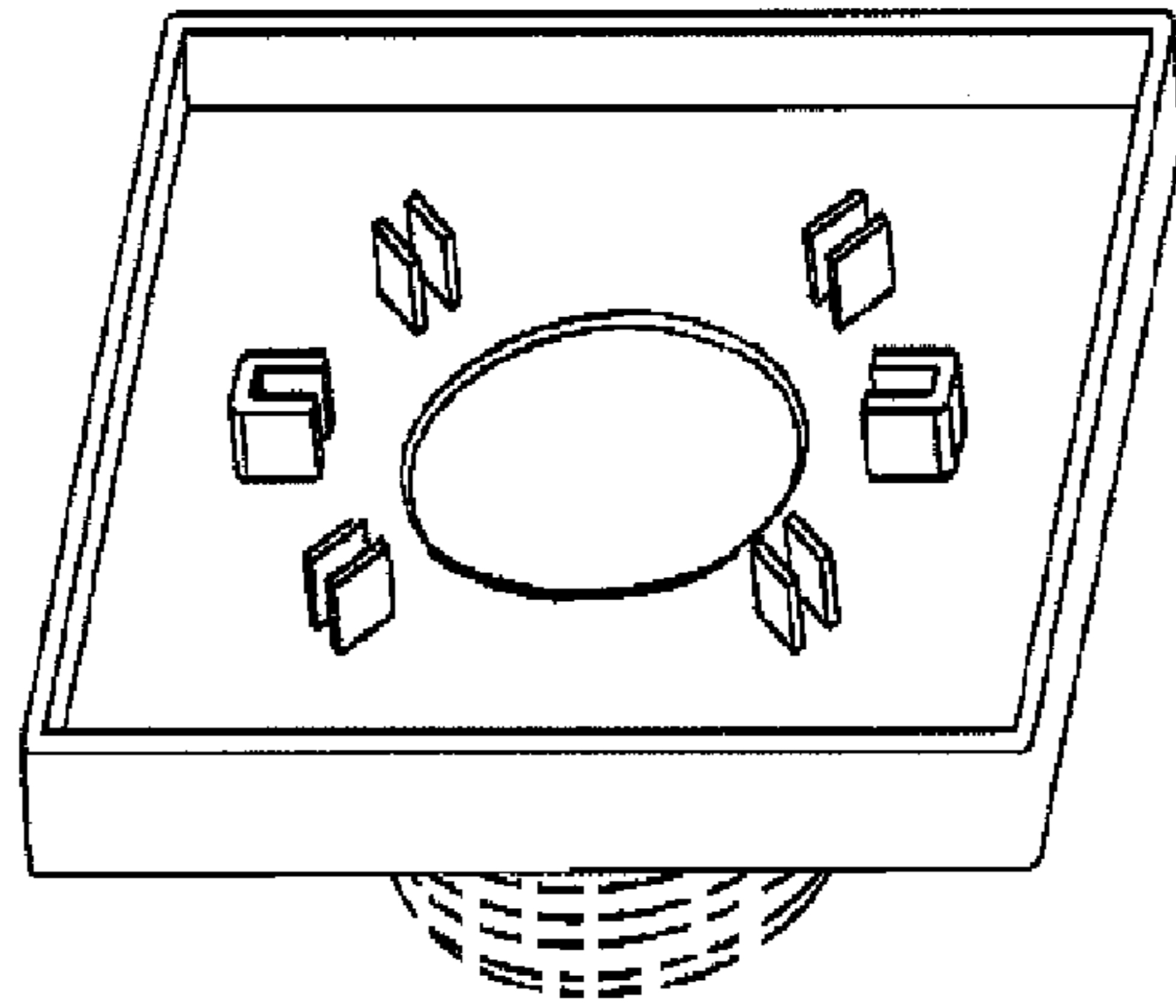


Figure 15

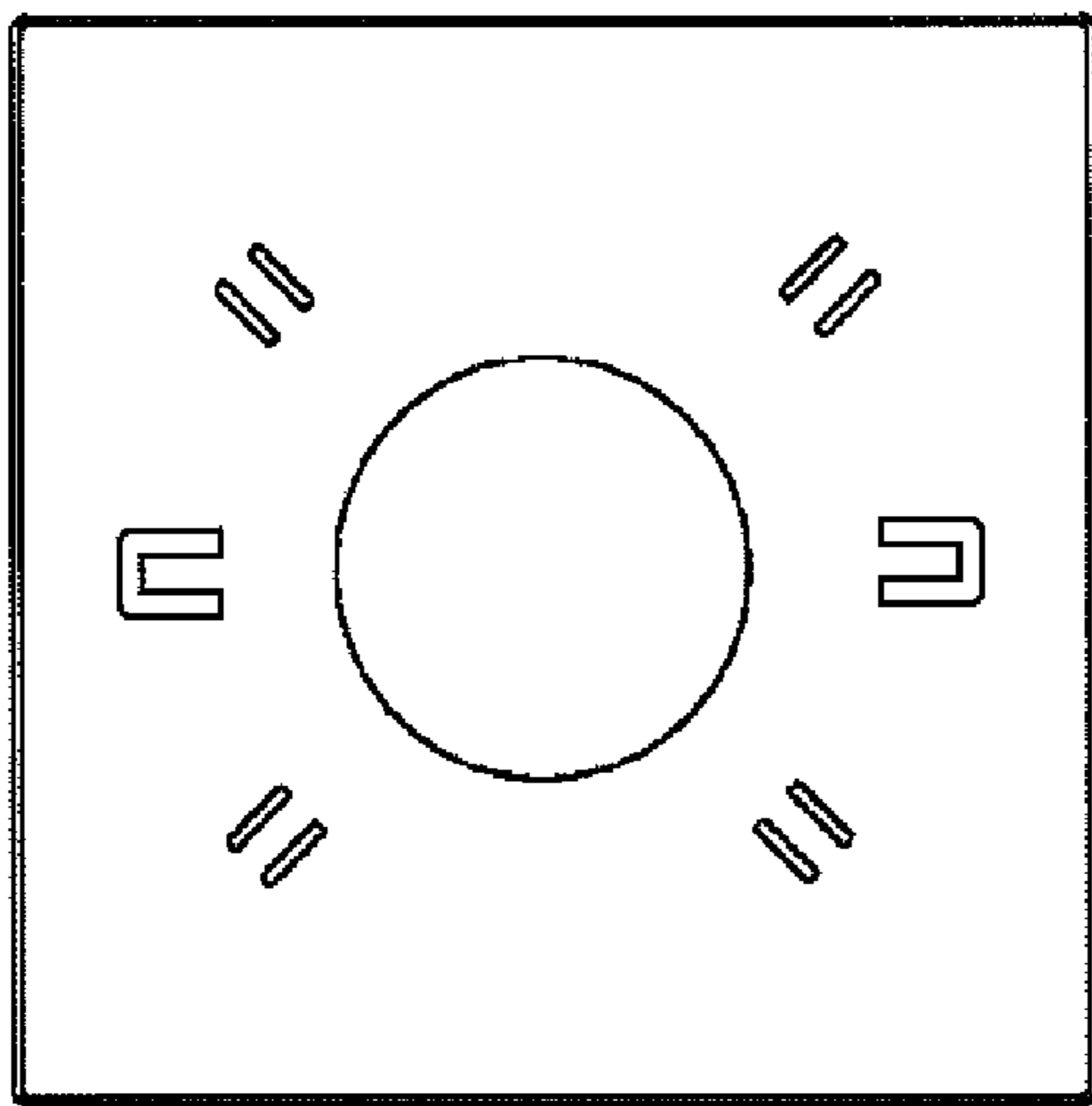


Figure 16

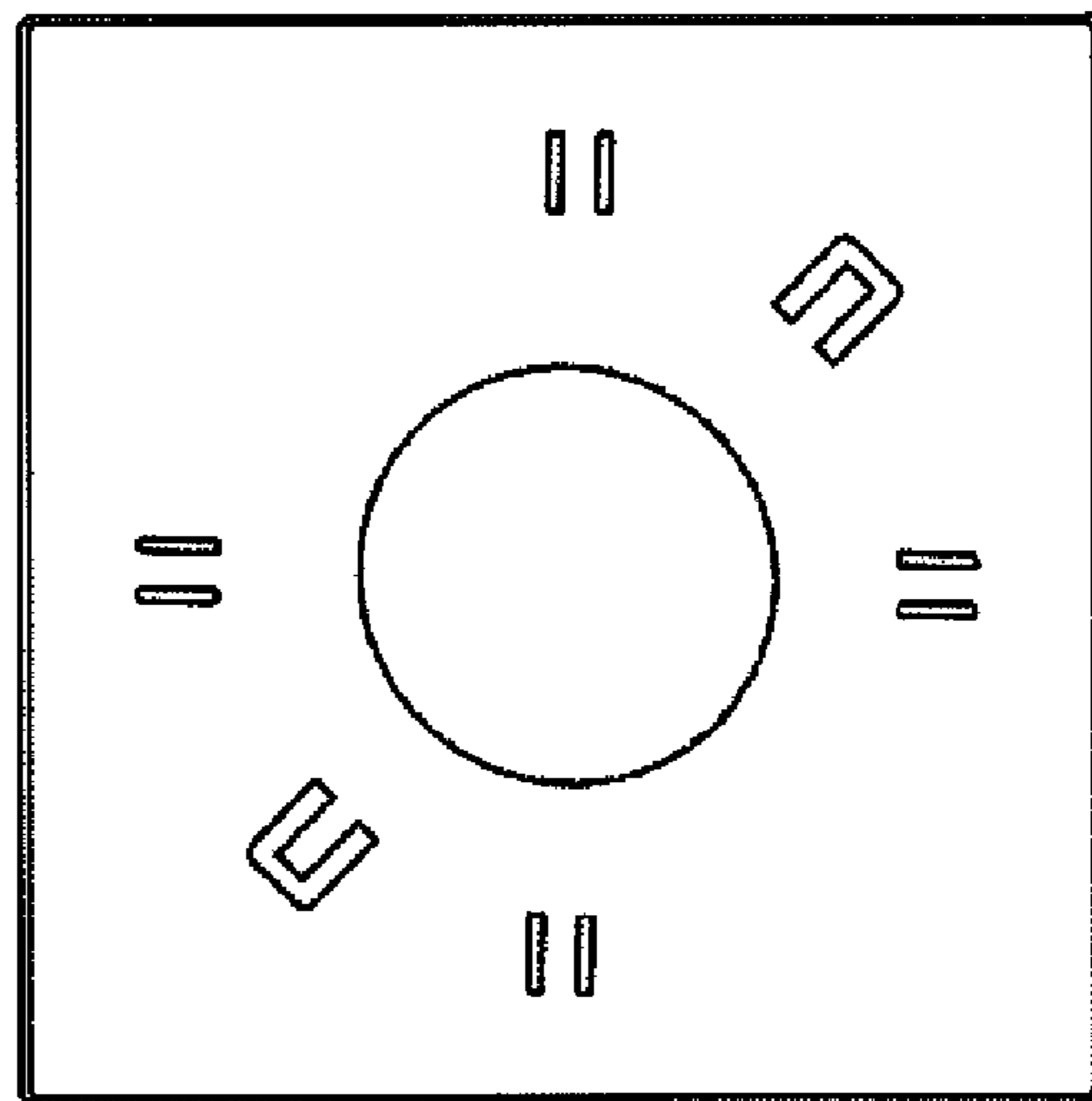


Figure 17

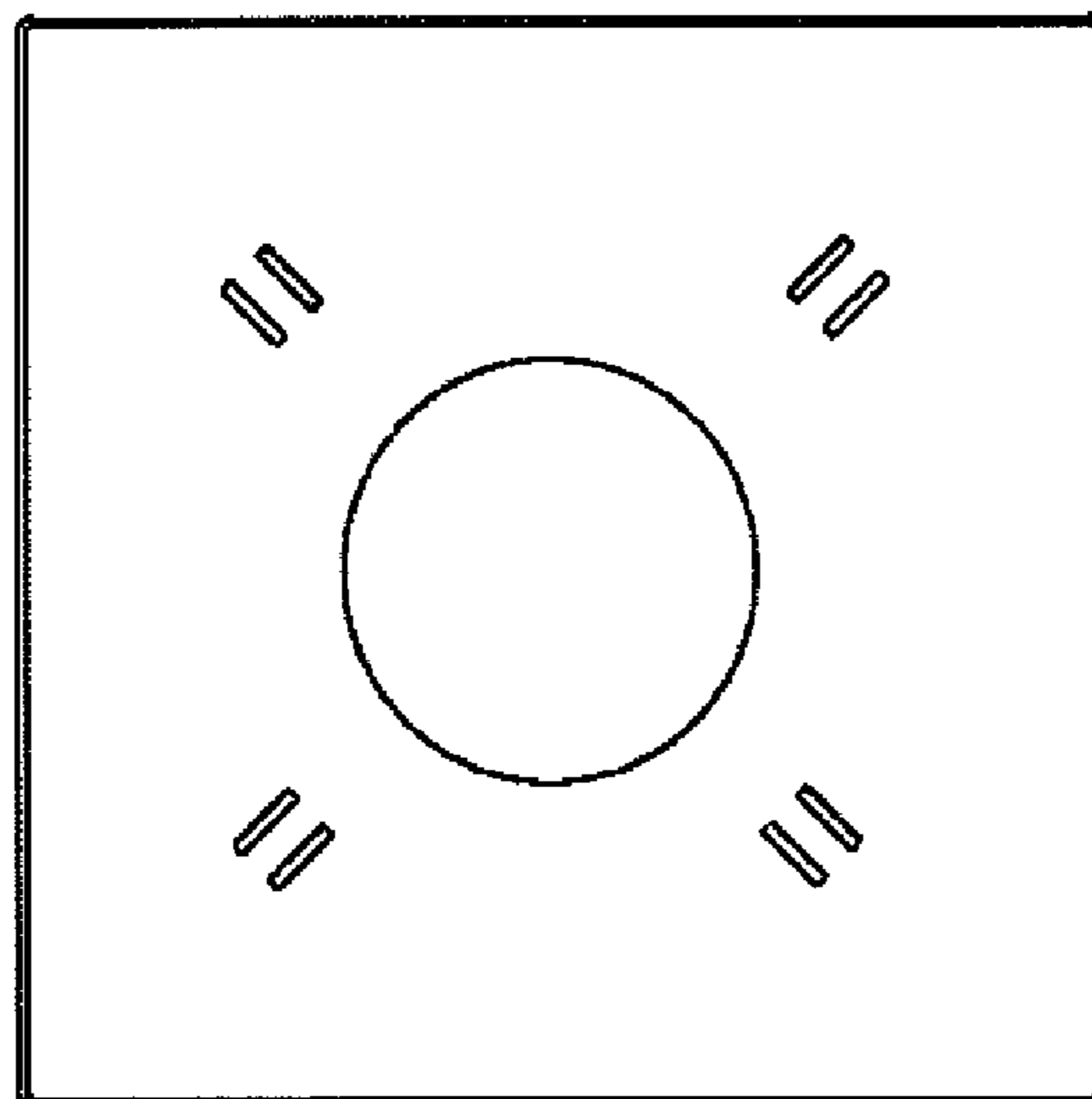


Figure 18

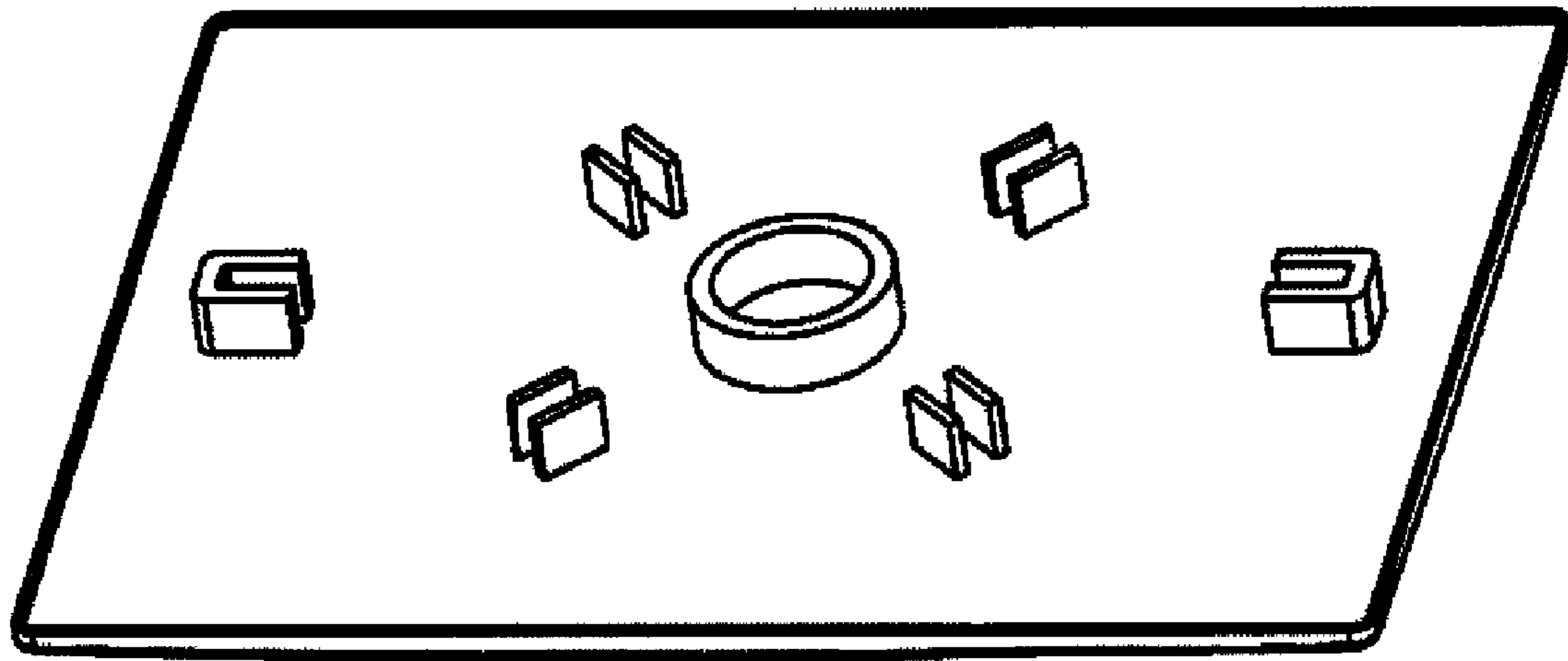


Figure 19

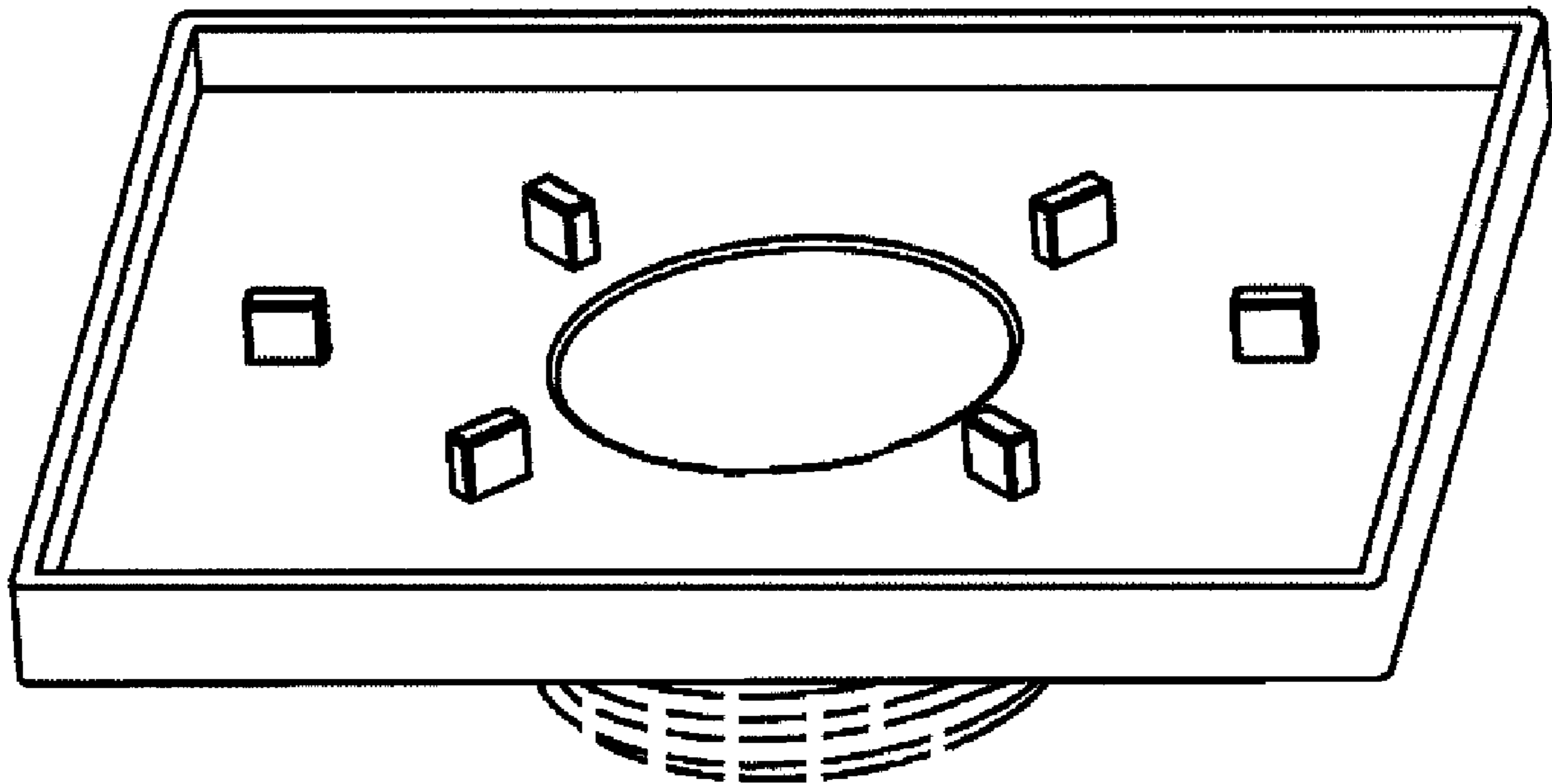


Figure 20



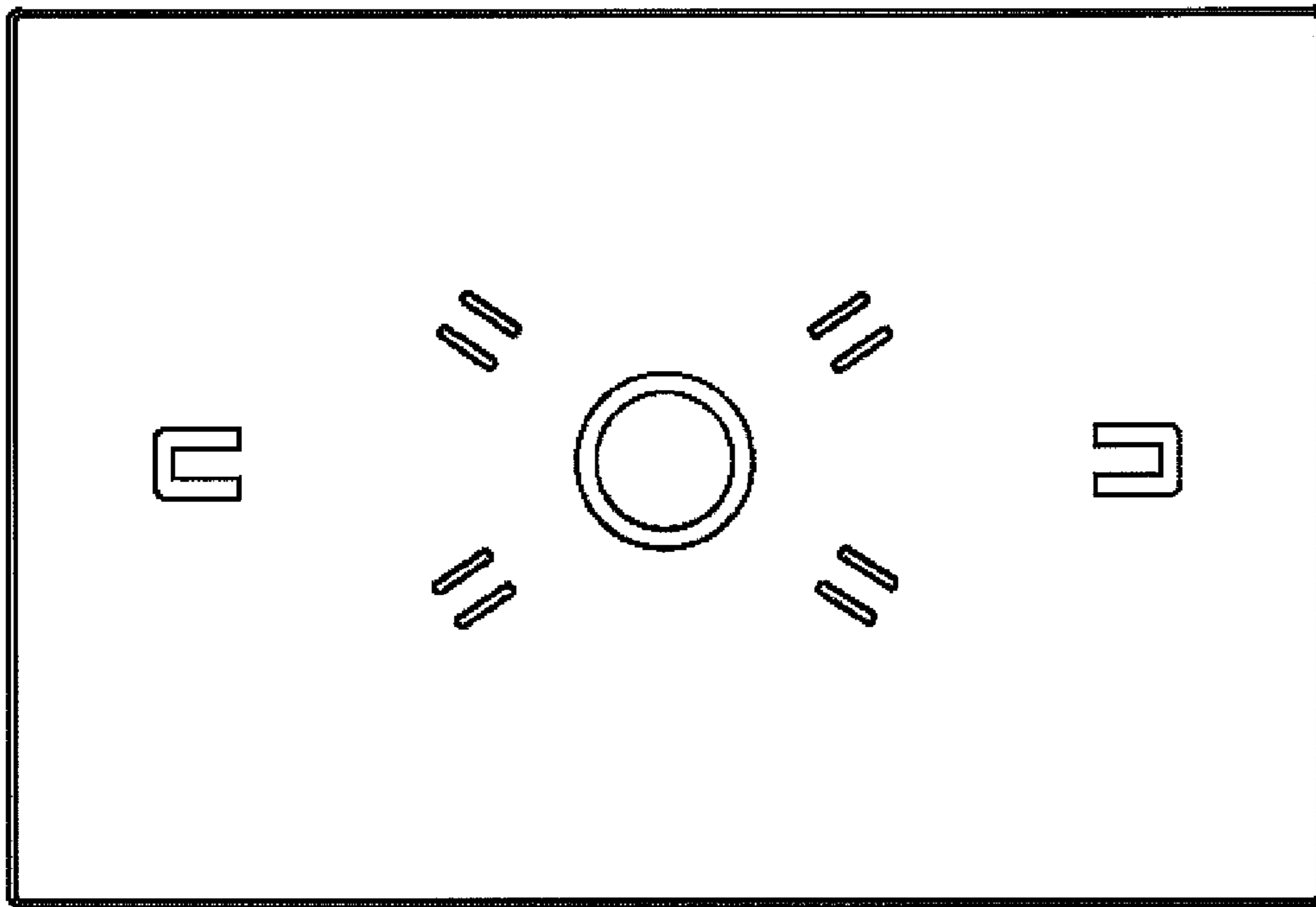


Figure 21

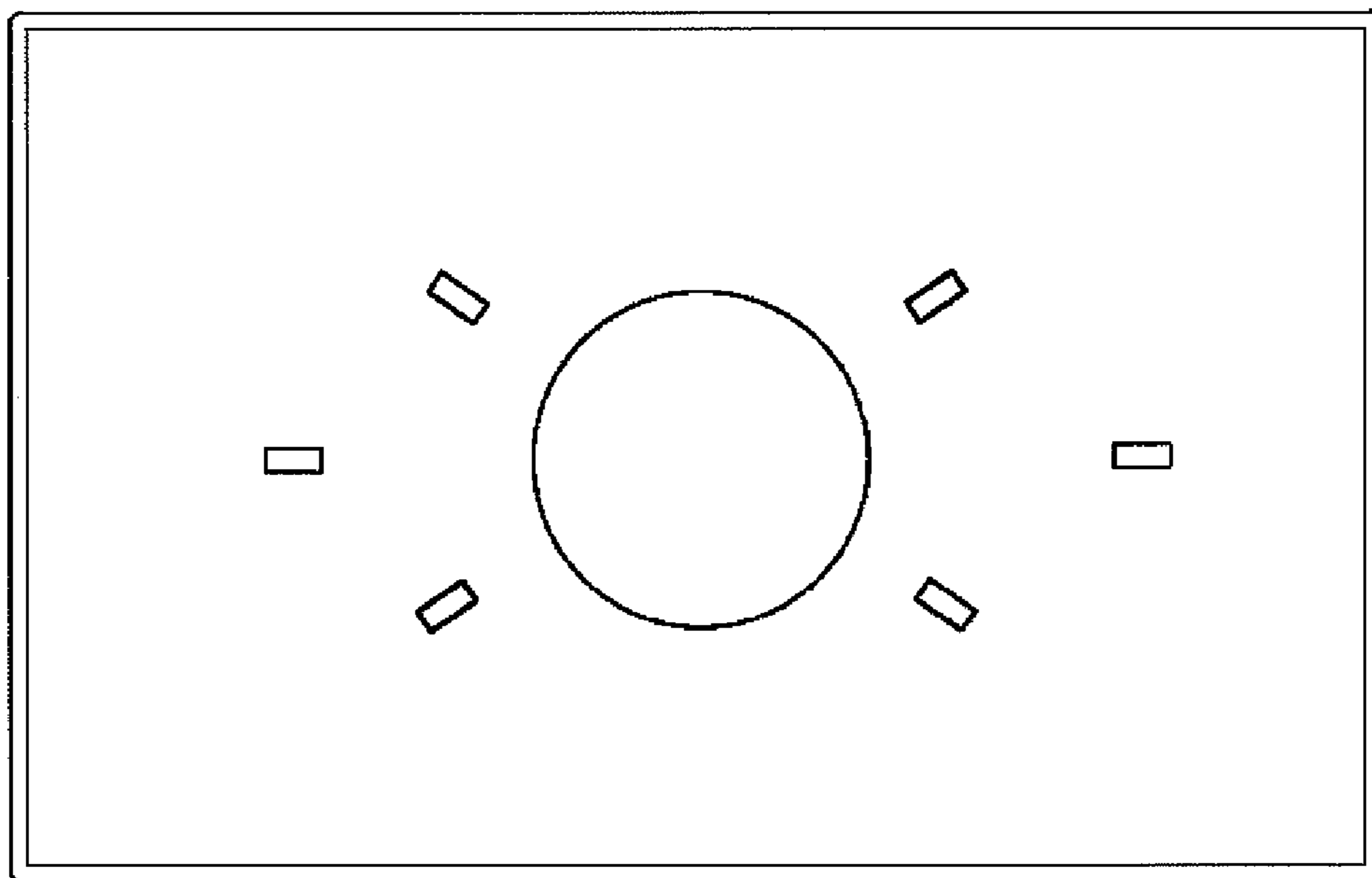


Figure 22