



US00D602571S

(12) **United States Design Patent**
Kwok

(10) **Patent No.:** **US D602,571 S**

(45) **Date of Patent:** **** Oct. 20, 2009**

(54) **FAUCET ESCUTCHEON**

(75) Inventor: **Celine Kwok**, Indianapolis, IN (US)

(73) Assignee: **Masco Corporation of Indiana**,
Indianapolis, IN (US)

(**) Term: **14 Years**

(21) Appl. No.: **29/334,536**

(22) Filed: **Mar. 27, 2009**

(51) **LOC (9) Cl.** **23-01**

(52) **U.S. Cl.** **D23/249**

(58) **Field of Classification Search** D23/200,
D23/238-257, 303; D6/512, 546, 550; D8/300,
D8/307-308, 310-312, 321, 350-353; 4/671-678;
137/801; 16/110.1, 441

See application file for complete search history.

(56) **References Cited**

U.S. PATENT DOCUMENTS

D420,435 S *	2/2000	Pitsch	D23/303
D428,969 S *	8/2000	Pitsch	D23/241
D433,485 S *	11/2000	Lord	D23/249
D438,291 S *	2/2001	Lord	D23/249
D438,292 S *	2/2001	Lord	D23/249
D440,284 S *	4/2001	Pitsch	D23/249
D441,841 S *	5/2001	Hunter et al.	D23/241
D448,455 S *	9/2001	Fabian et al.	D23/249
D463,849 S *	10/2002	Otero	D23/254
D469,163 S *	1/2003	Fabian et al.	D23/249
D469,855 S *	2/2003	Hunter et al.	D23/249
D510,129 S *	9/2005	Ouyoung	D23/254

D512,489 S *	12/2005	Gilbert	D23/254
D522,094 S *	5/2006	Koury et al.	D23/249
D522,620 S *	6/2006	Fritz	D23/249
D523,113 S *	6/2006	Koury et al.	D23/249
D524,419 S *	7/2006	Lord	D23/249
D526,048 S *	8/2006	Schaffeld et al.	D23/249
D527,800 S *	9/2006	Schaffeld et al.	D23/249
D566,236 S *	4/2008	Sedwick	D23/238

* cited by examiner

Primary Examiner—T. Chase Nelson

Assistant Examiner—Mark Cavanna

(74) *Attorney, Agent, or Firm*—Edgar A. Zarins; Nirav D. Parikh

(57) **CLAIM**

The ornamental design for a faucet escutcheon, as shown and described.

DESCRIPTION

FIG. 1 is a front perspective view of a faucet escutcheon showing my new design;

FIG. 2 is a rear perspective view thereof;

FIG. 3 is a front elevational view thereof;

FIG. 4 is a rear elevational view thereof;

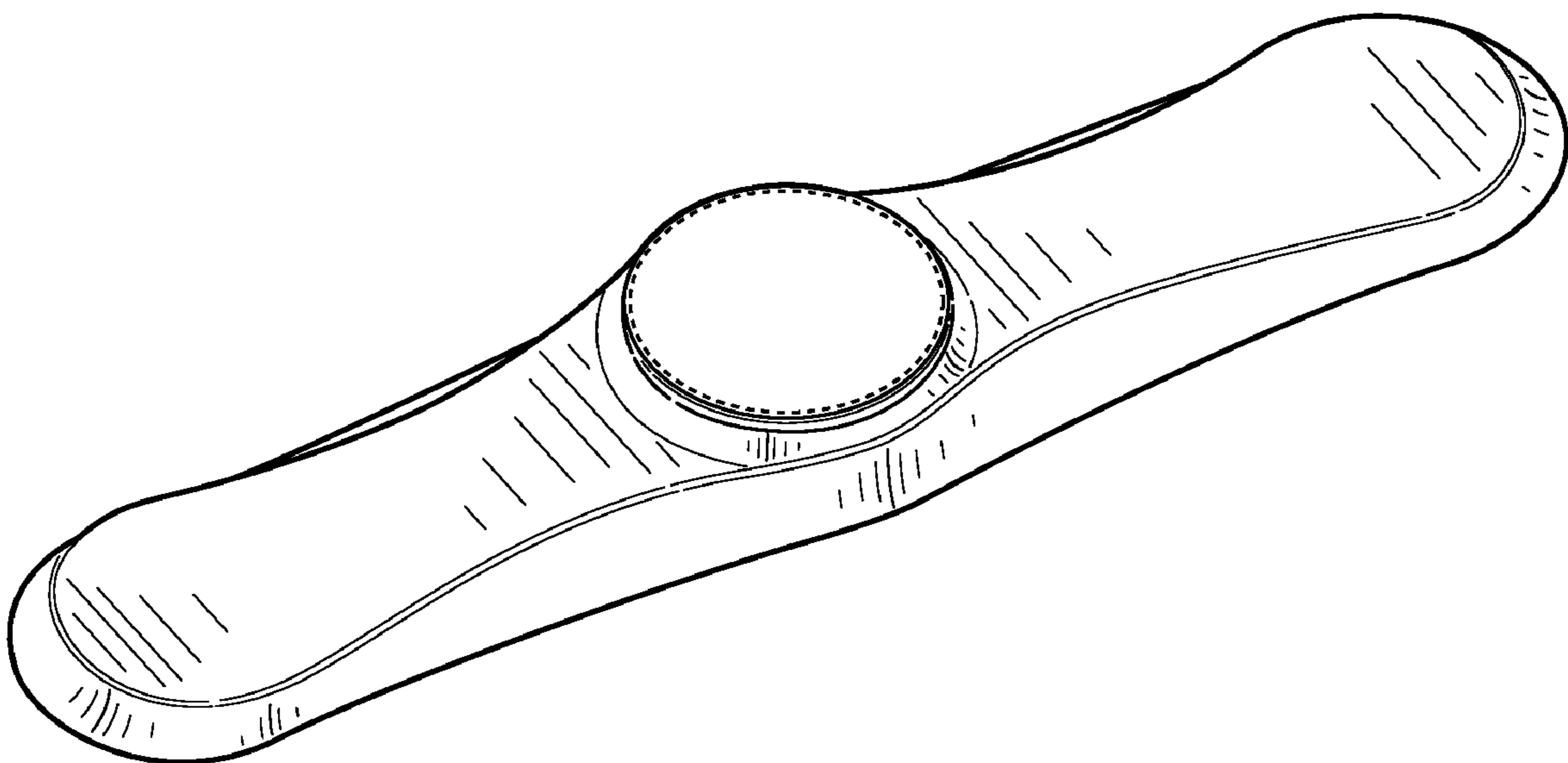
FIG. 5 is a top plan view thereof;

FIG. 6 is a right side elevational view thereof; and,

FIG. 7 is a left side elevational view thereof.

The broken lines in the drawings represent unclaimed portions of the faucet escutcheon and form no part thereof.

1 Claim, 4 Drawing Sheets



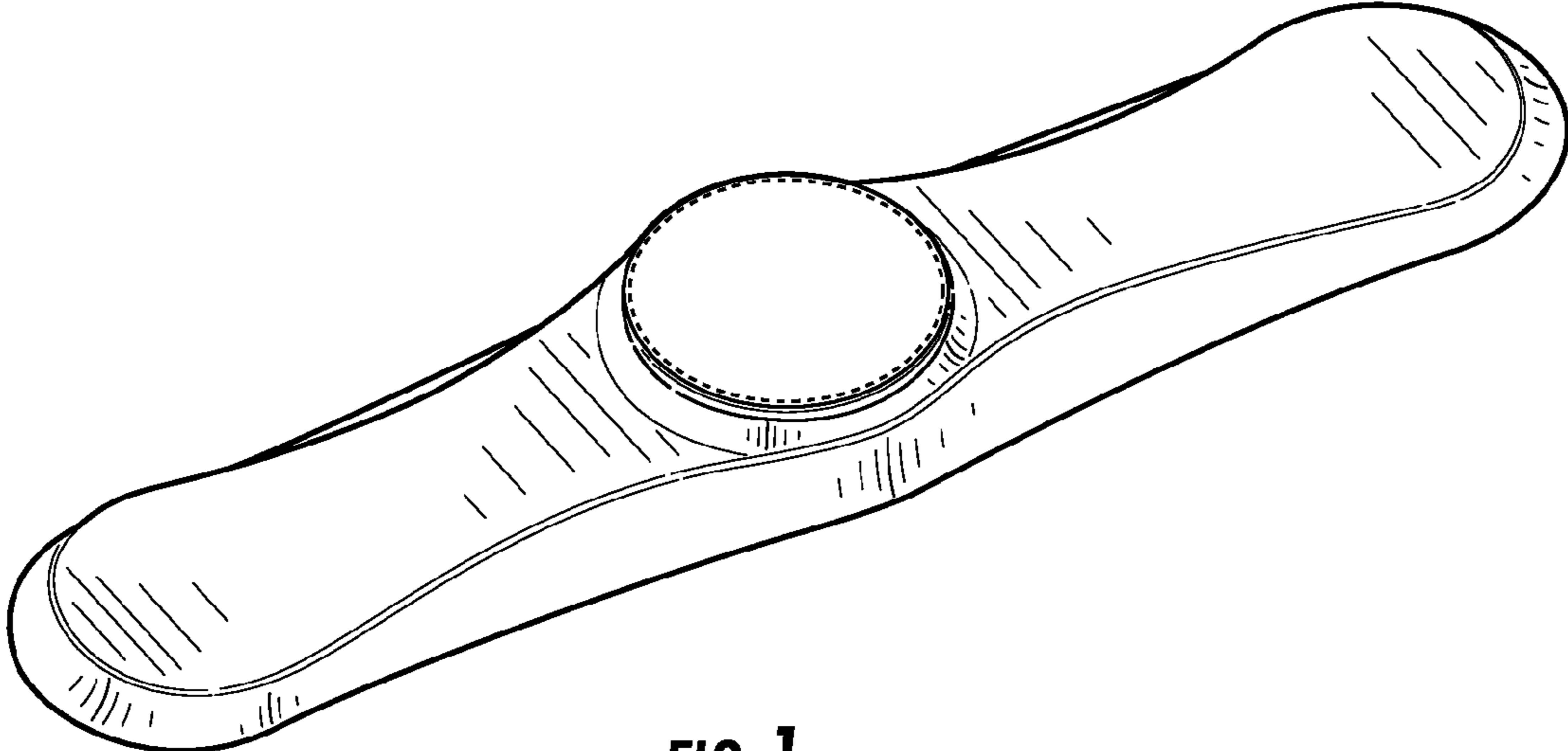


FIG. 1

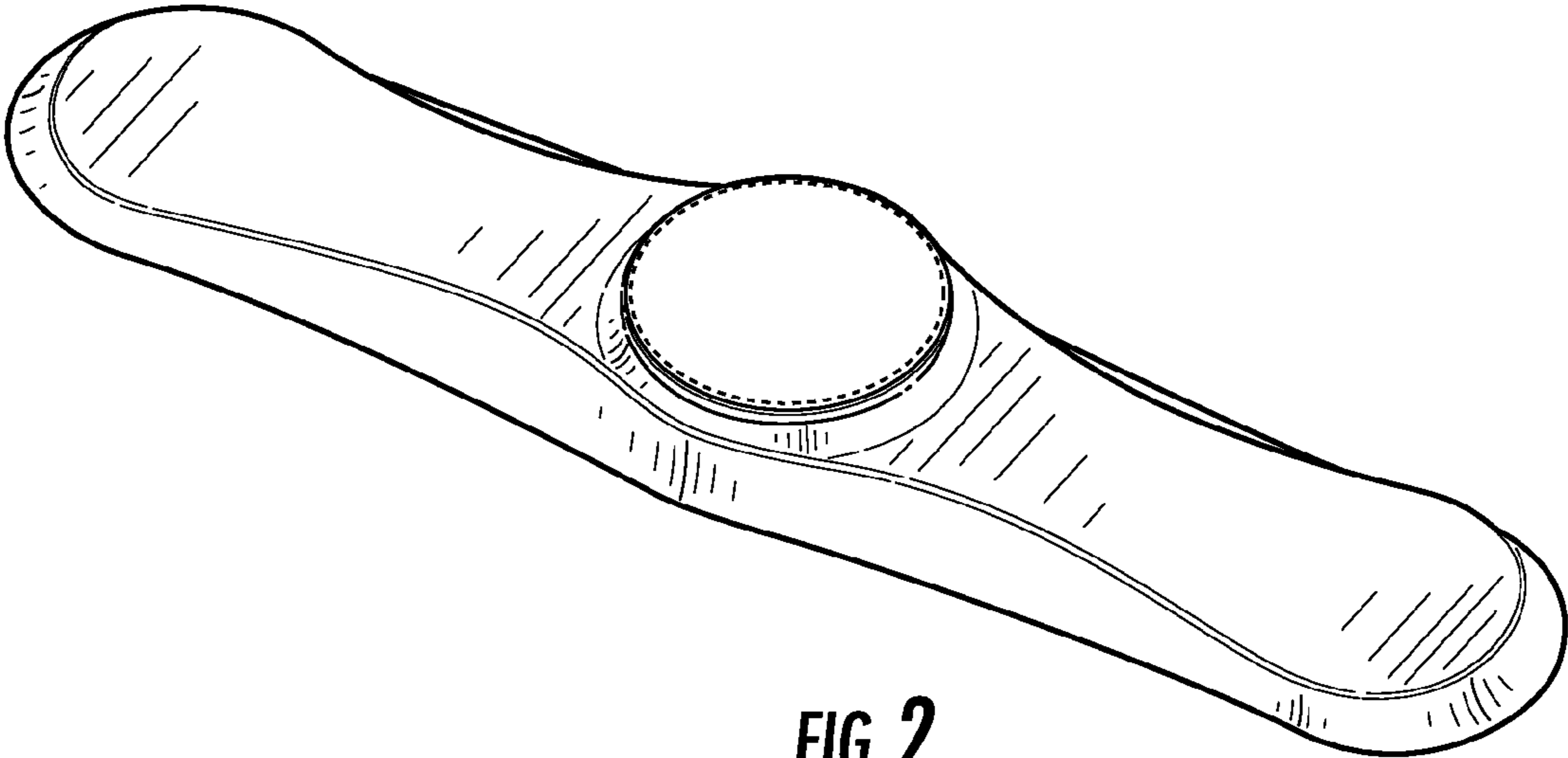


FIG. 2

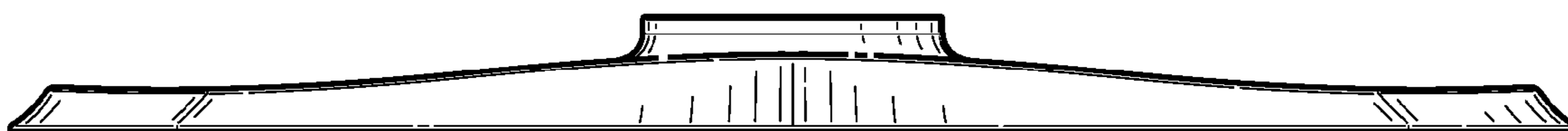


FIG. 3



FIG. 4

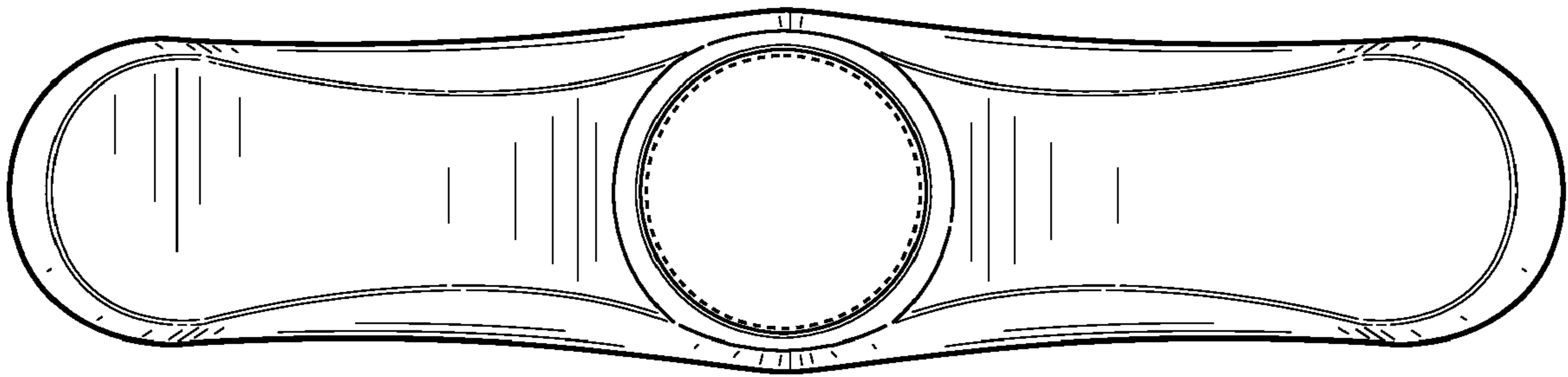


FIG. 5

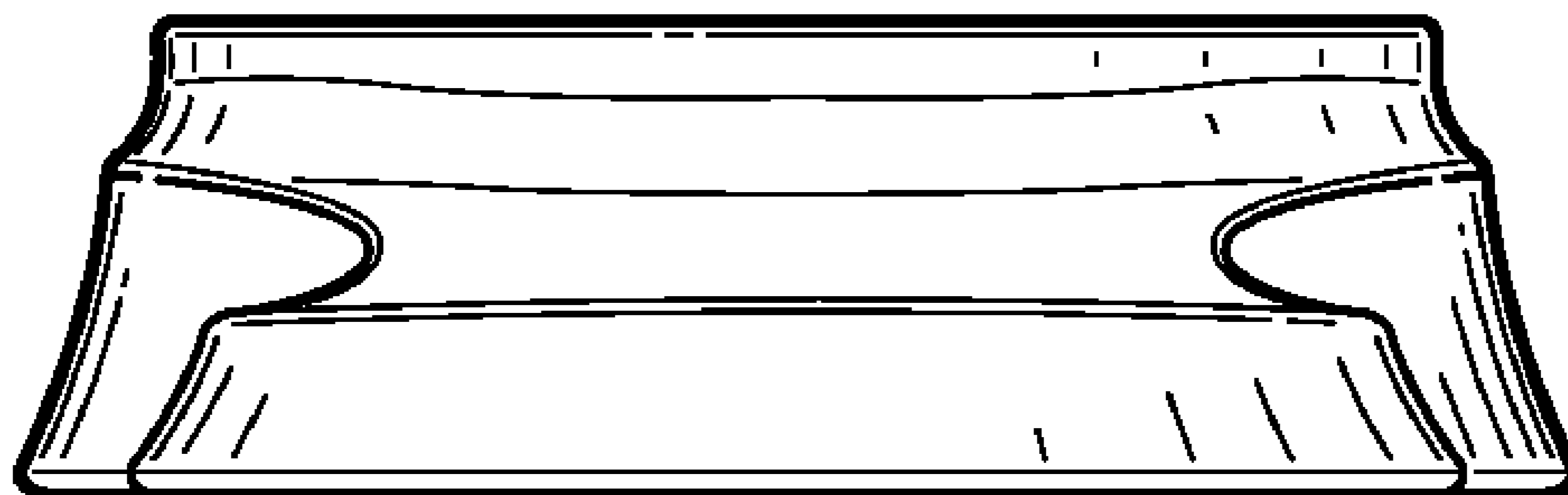


FIG. 6

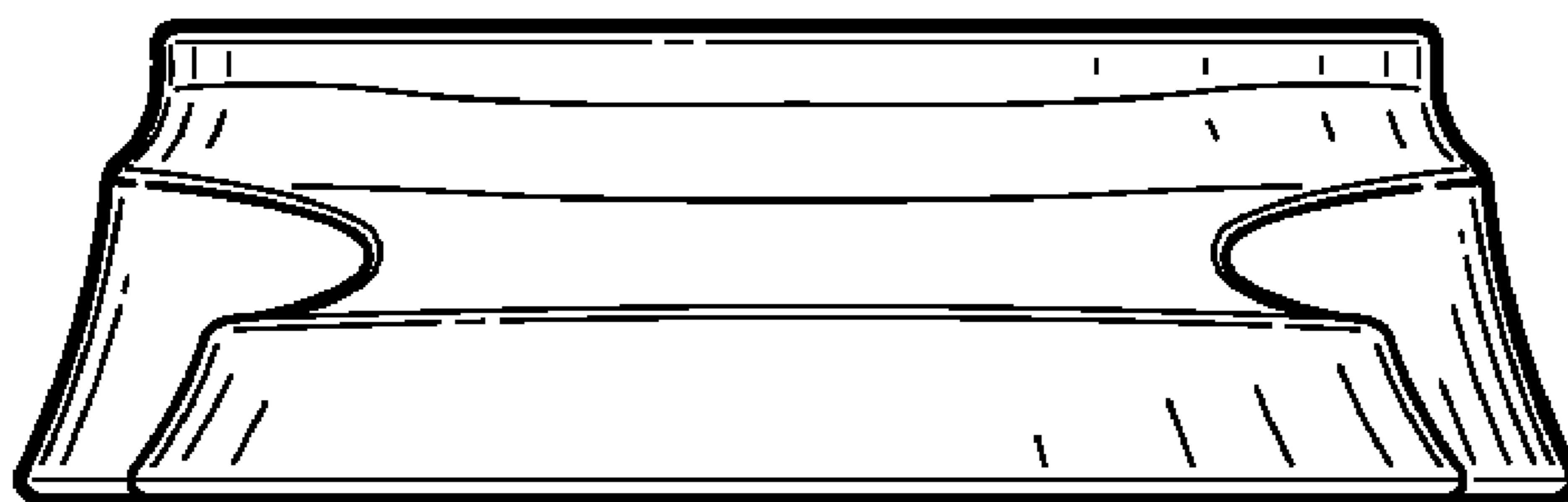


FIG. 7