



US00D602570S

(12) **United States Design Patent**
Lammel et al.

(10) **Patent No.:** **US D602,570 S**

(45) **Date of Patent:** **** *Oct. 20, 2009**

(54) **MIXING TAP**

(75) Inventors: **Michael Lammel**, Aachen (DE);
Michael Zeisel, Aachen (DE)

(73) Assignee: **Hansa Metallwerke AG**, Stuttgart (DE)

(*) Notice: This patent is subject to a terminal disclaimer.

(**) Term: **14 Years**

(21) Appl. No.: **29/325,844**

(22) Filed: **Oct. 7, 2008**

(30) **Foreign Application Priority Data**

Apr. 8, 2008 (EM) 000910443-0001

(51) **LOC (9) Cl.** **23-01**

(52) **U.S. Cl.** **D23/242**

(58) **Field of Classification Search** D23/250-252,
D23/255-257, 238-243; 4/675-678; 137/801
See application file for complete search history.

(56) **References Cited**

U.S. PATENT DOCUMENTS

D311,241 S	*	10/1990	Strignano	D23/241
D527,807 S	*	9/2006	Haug et al.	D23/255
D531,277 S	*	10/2006	Tsai	D23/254
D531,702 S	*	11/2006	Haug et al.	D23/252
D533,639 S	*	12/2006	Hoernig	D23/242
D557,383 S	*	12/2007	Garner	D23/255

* cited by examiner

Primary Examiner—Robert A Delehanty
(74) *Attorney, Agent, or Firm*—Factor & Lake, Ltd.

(57) **CLAIM**

The ornamental design for mixing tap, as shown and described.

DESCRIPTION

This application is related to U.S. patent application Ser. Nos. 29/325,854 titled Mixing Tap; 29/325,859, titled Mixing Tap; 29/325,861, titled Mixing Tap; and, 29/325,863, titled Mixing Tap; all of which were simultaneously filed on Oct. 7, 2008.

FIG. 1 is a perspective view of the mixing tap showing a new ornamental design thereof;

FIG. 2 is a front elevation view of the mixing tap shown in FIG. 1;

FIG. 3 is a rear elevation view of the mixing tap shown in FIG. 1;

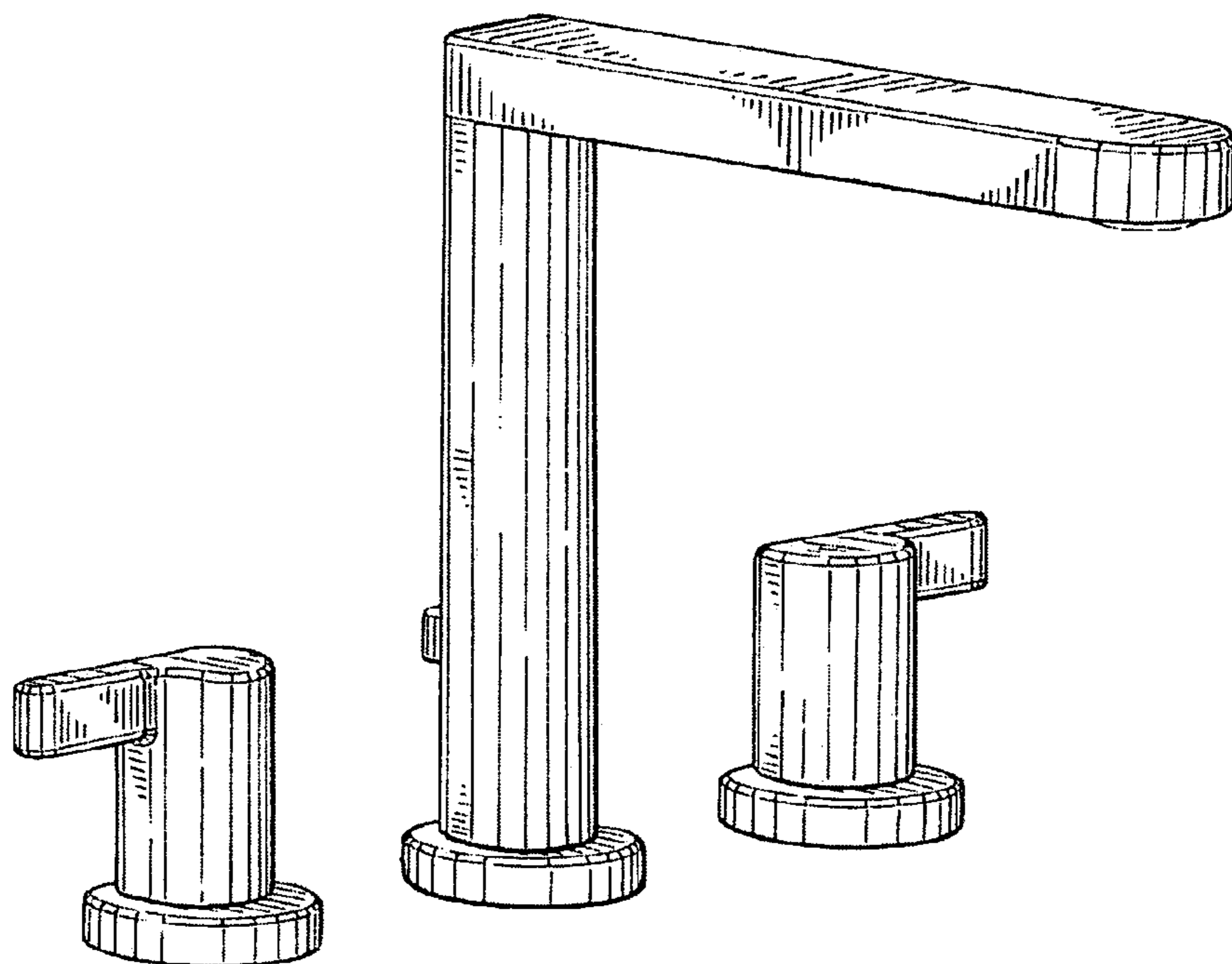
FIG. 4 is a left side elevation view of the mixing tap shown in FIG. 1;

FIG. 5 is a right side elevation view of the mixing tap shown in FIG. 1; and,

FIG. 6 is a top plan view of the mixing tap shown in FIG. 1.

The broken lines are included for the purpose of illustrating a portion of the mixing tap that forms no part of the claimed design.

1 Claim, 5 Drawing Sheets



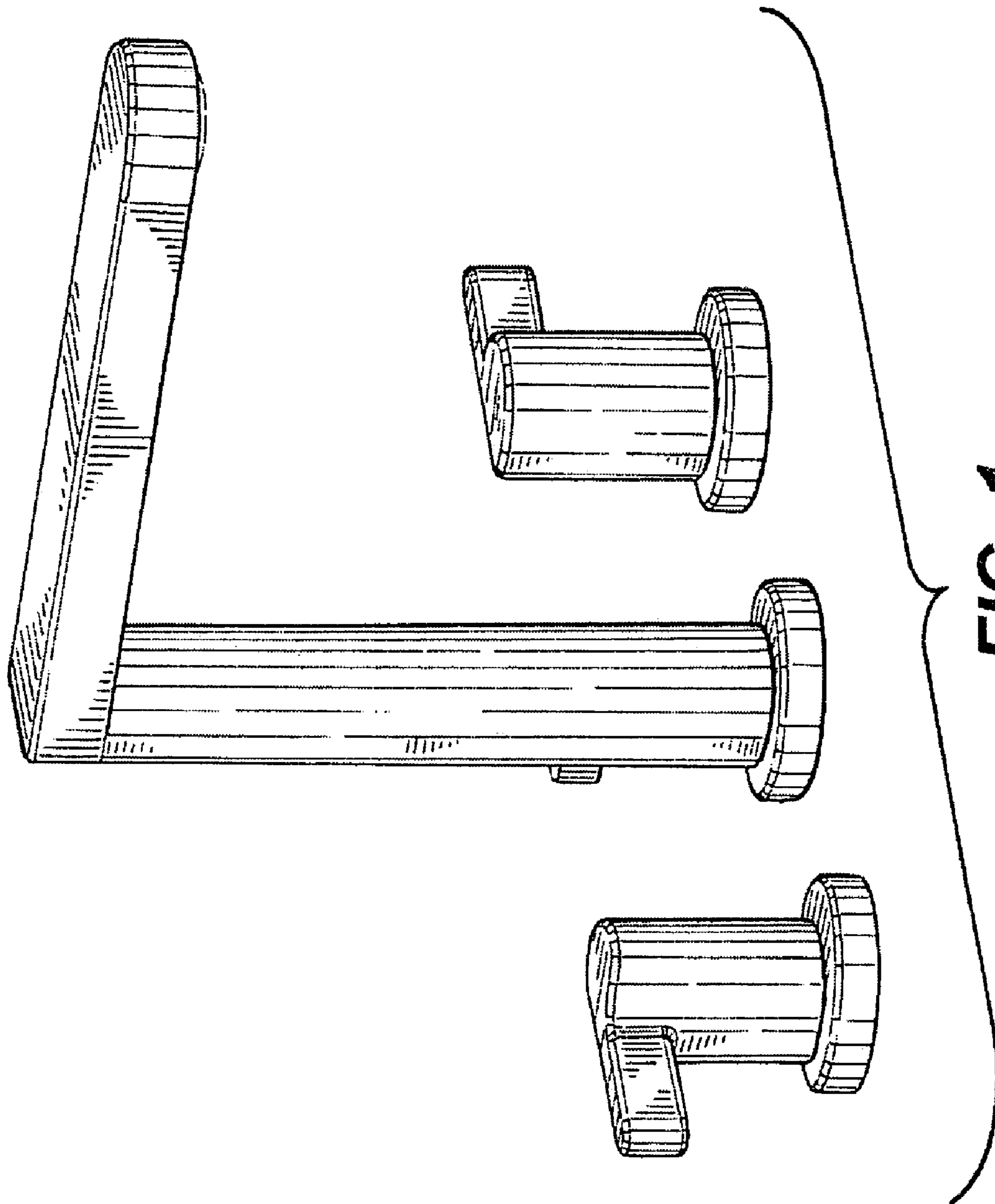


FIG. 1

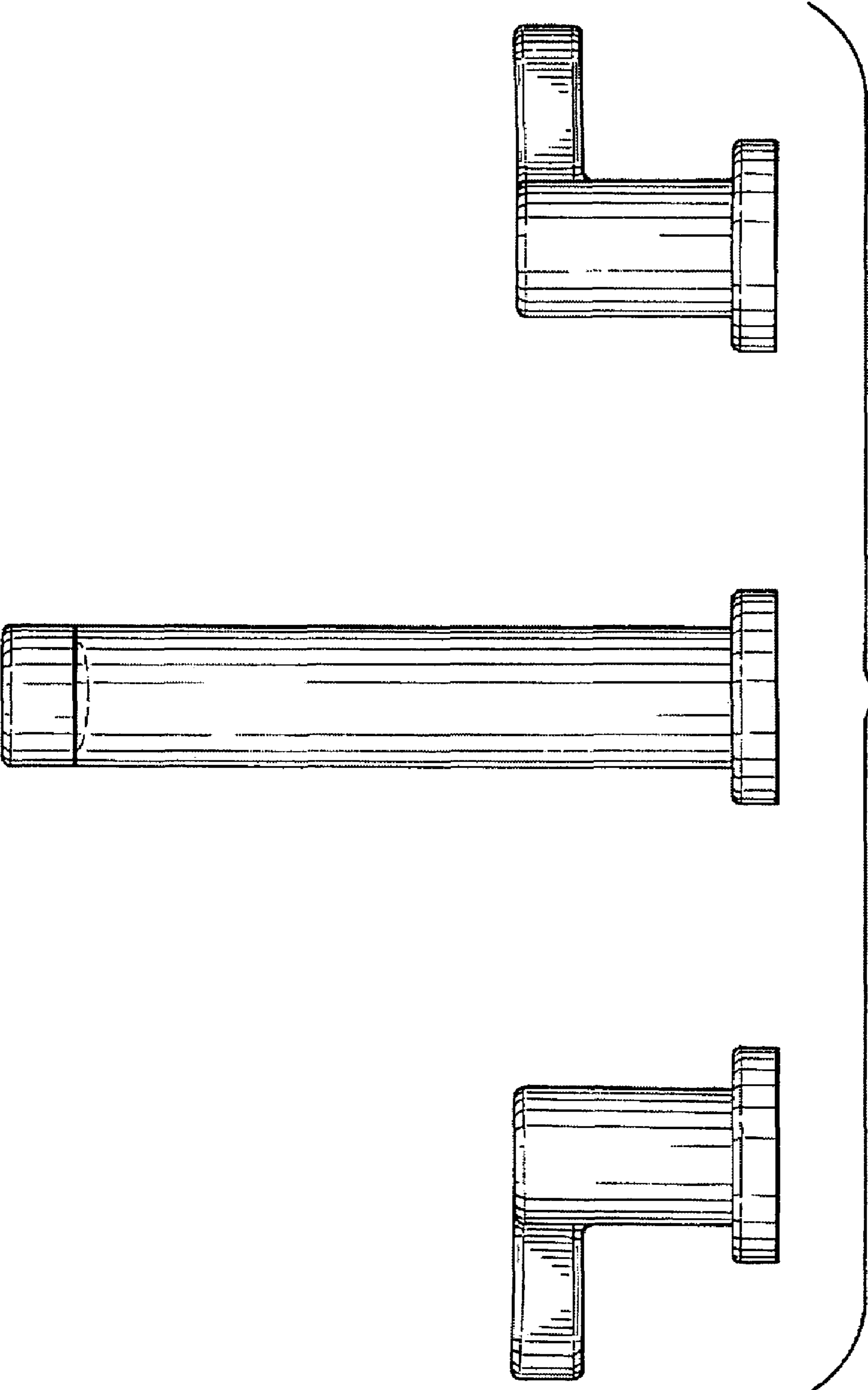


FIG. 2

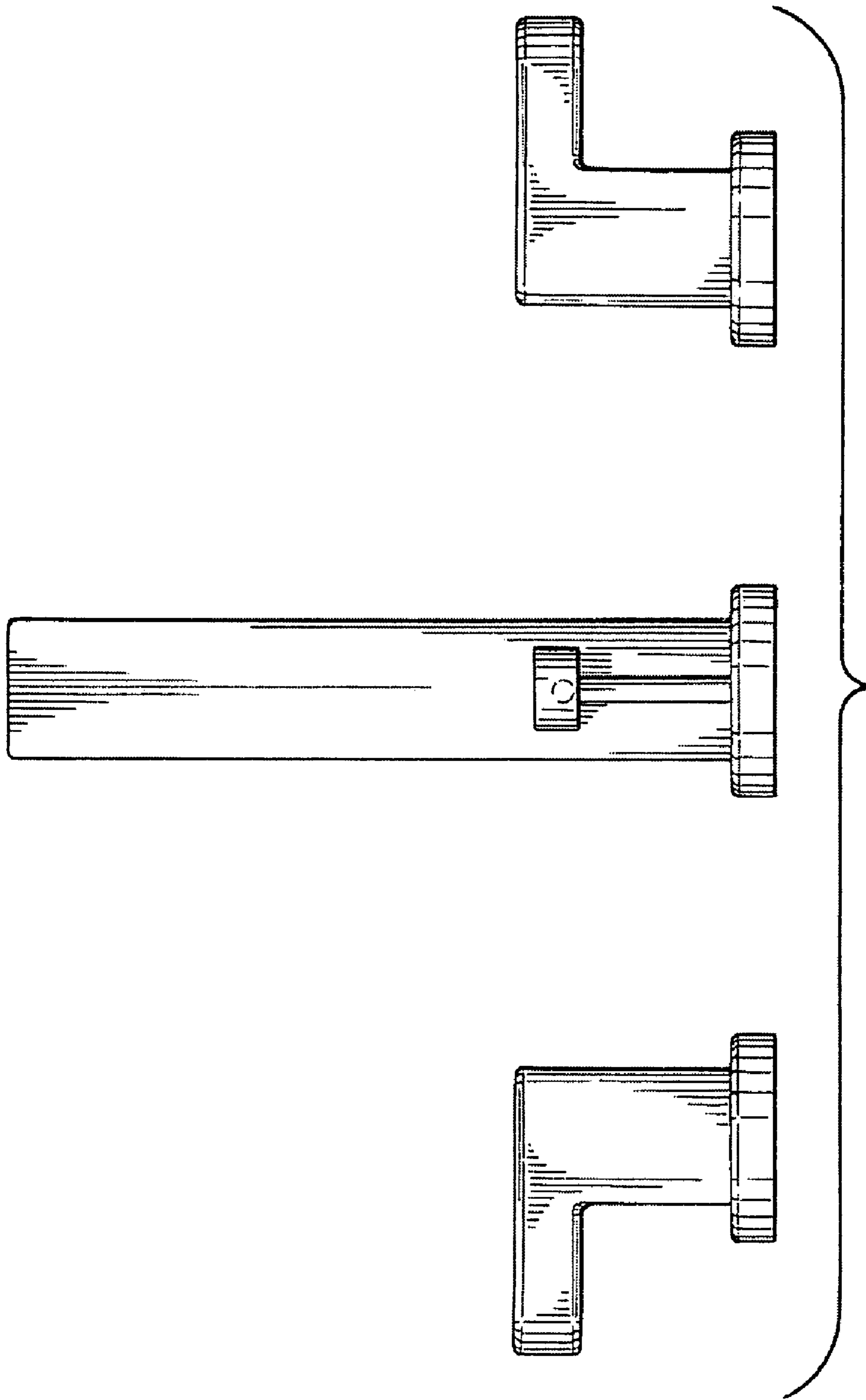


FIG. 3

FIG. 4

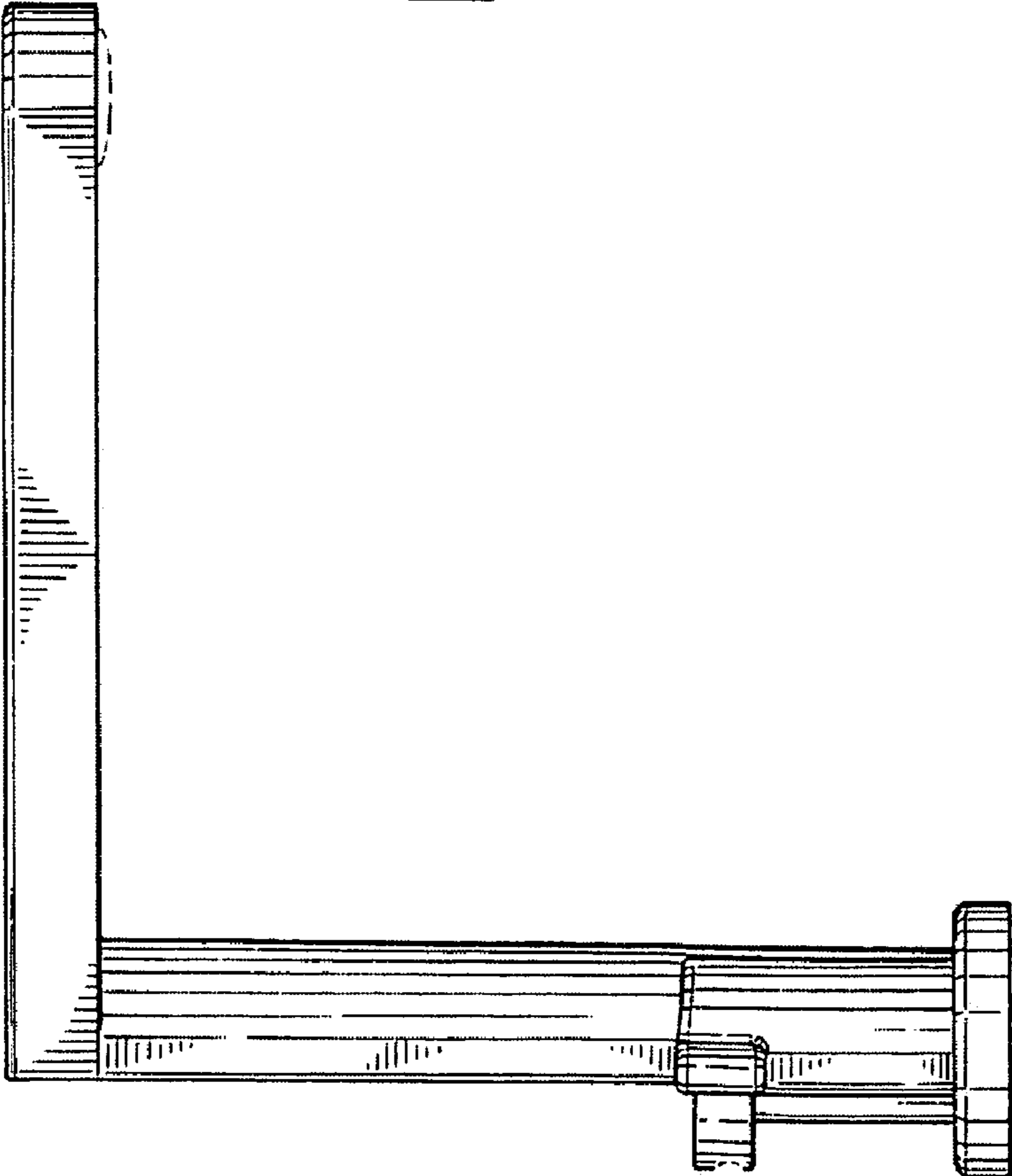


FIG. 5

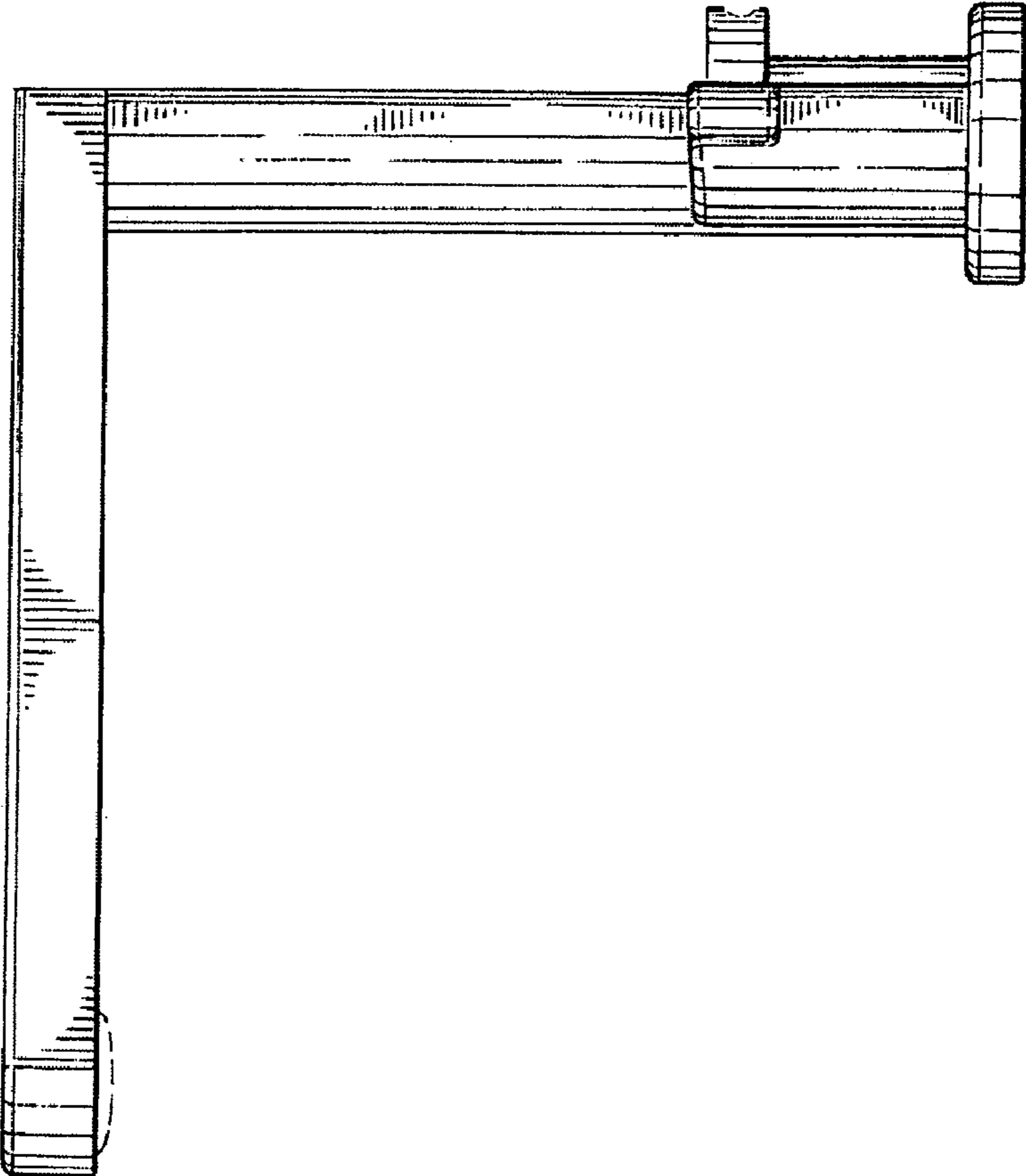


FIG. 6

