



US00D602567S

(12) **United States Design Patent**
Stadtler

(10) **Patent No.:** **US D602,567 S**

(45) **Date of Patent:** **** Oct. 20, 2009**

(54) **FLOW REGULATOR**

(75) Inventor: **Georg Stadtler**, Mullheim (DE)

(73) Assignee: **Neoperl GmbH**, Mullheim (DE)

(**) Term: **14 Years**

(21) Appl. No.: **29/324,148**

(22) Filed: **Sep. 8, 2008**

(30) **Foreign Application Priority Data**

Jul. 14, 2008 (EM) 000969894

(51) **LOC (9) Cl.** **23-01**

(52) **U.S. Cl.** **D23/235; D23/249**

(58) **Field of Classification Search** D23/213,
D23/235-237, 244-249, 257, 260; 138/37,
138/40-42; 239/428.5, 552, 553, 553.5,
239/3; 261/DIG. 22

See application file for complete search history.

(56) **References Cited**

U.S. PATENT DOCUMENTS

5,467,929 A * 11/1995 Bosio 239/428.5

D536,068 S * 1/2007 Grether D23/249

D537,148 S * 2/2007 Grether D23/249

D570,961 S * 6/2008 Grether D23/249

D581,487 S * 11/2008 Wildfang D23/249

* cited by examiner

Primary Examiner—Cathron C. Brooks

Assistant Examiner—Maurice Stevens

(74) *Attorney, Agent, or Firm*—Volpe and Koenig, P.C.

(57) **CLAIM**

The ornamental design for a flow regulator, as shown and described.

DESCRIPTION

FIG. 1 is a top right front perspective view of a flow regulator according to my design;

FIG. 2 is a bottom left rear perspective view thereof;

FIG. 3 is a front elevational view thereof;

FIG. 4 is a right side elevational view thereof, the left side elevational view being a mirror image thereto;

FIG. 5 is a rear elevational view thereof;

FIG. 6 is a bottom view thereof; and,

FIG. 7 is a top view thereof.

1 Claim, 6 Drawing Sheets

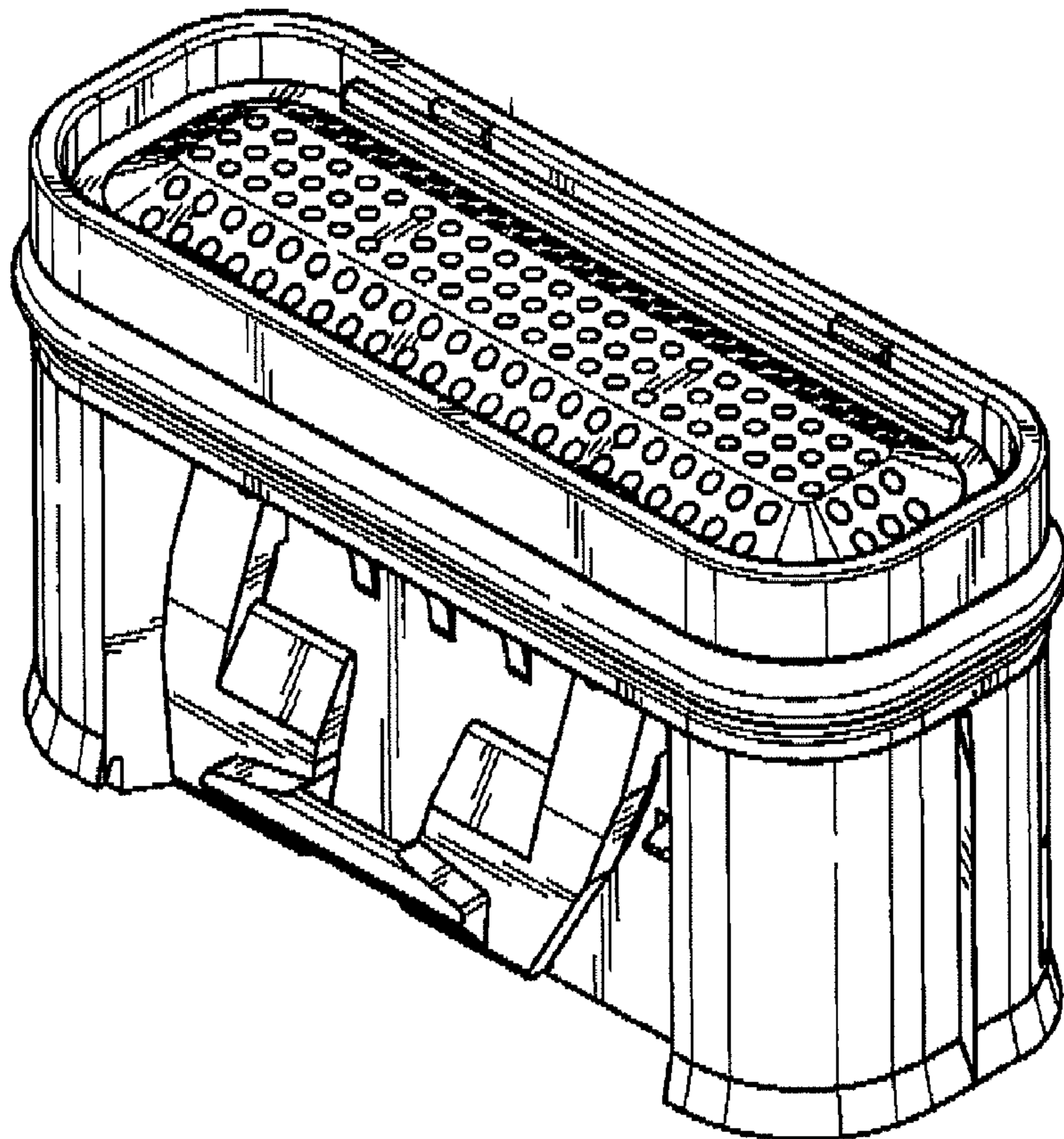


FIG. 1

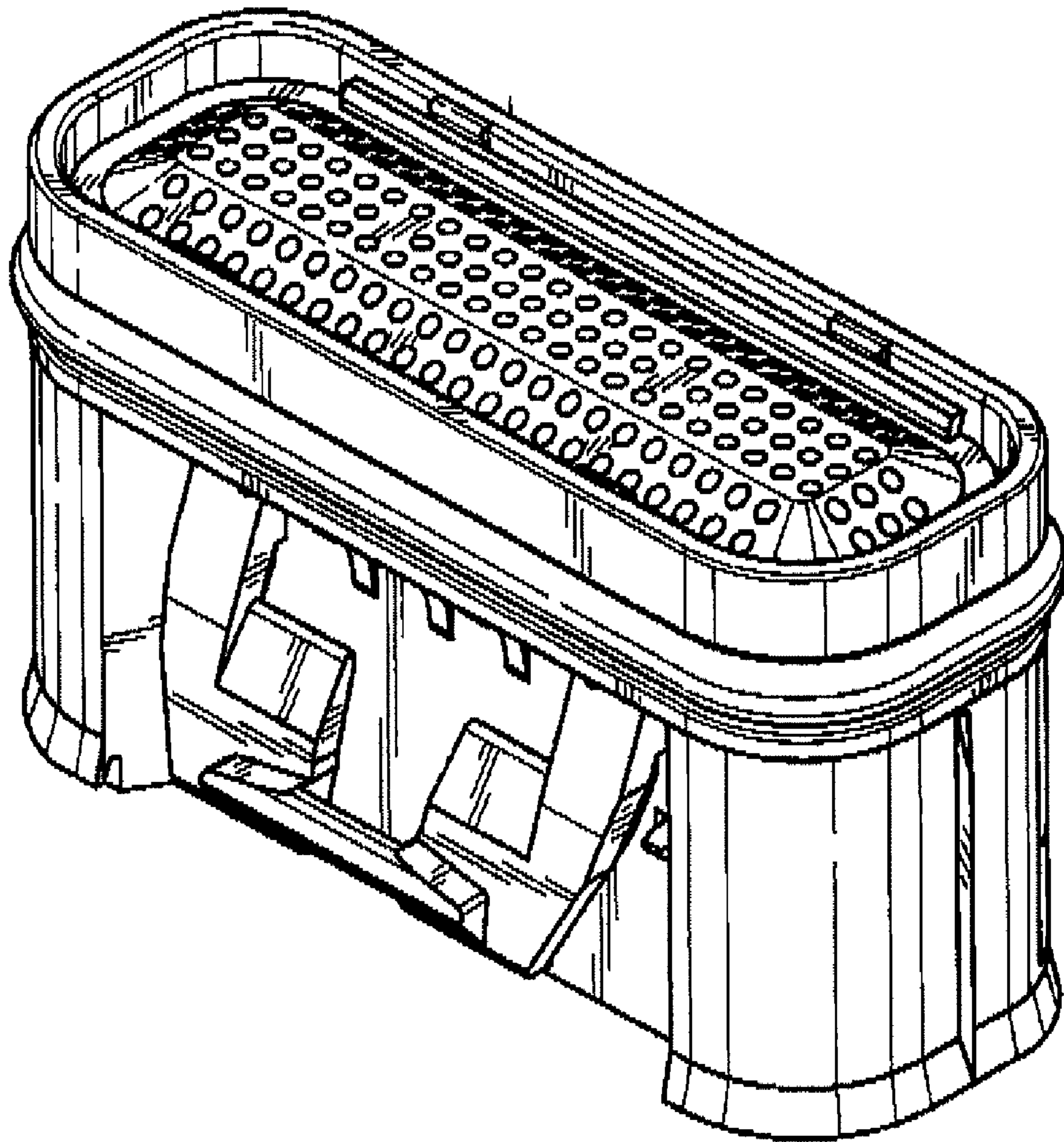


FIG. 2

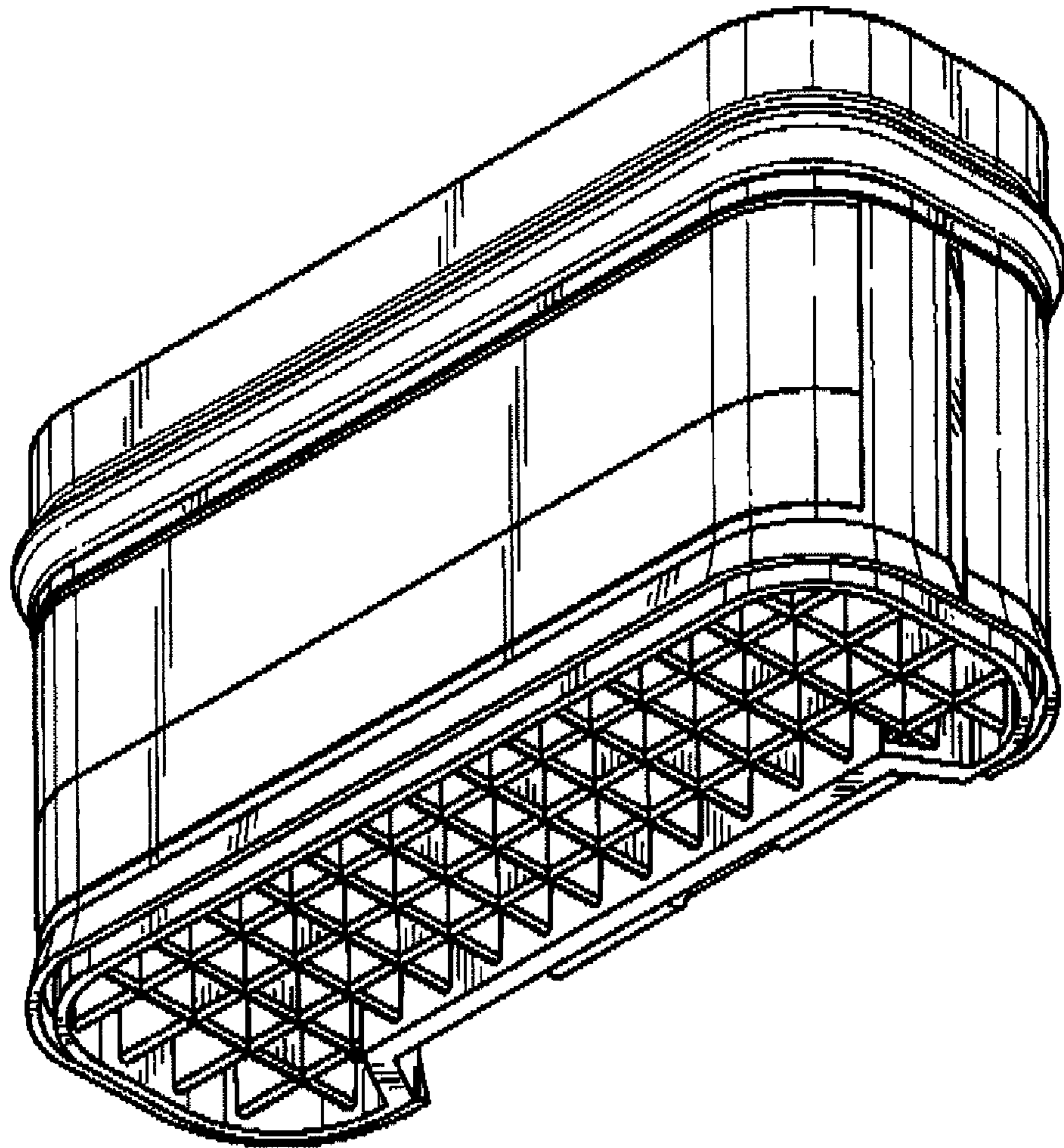


FIG. 3

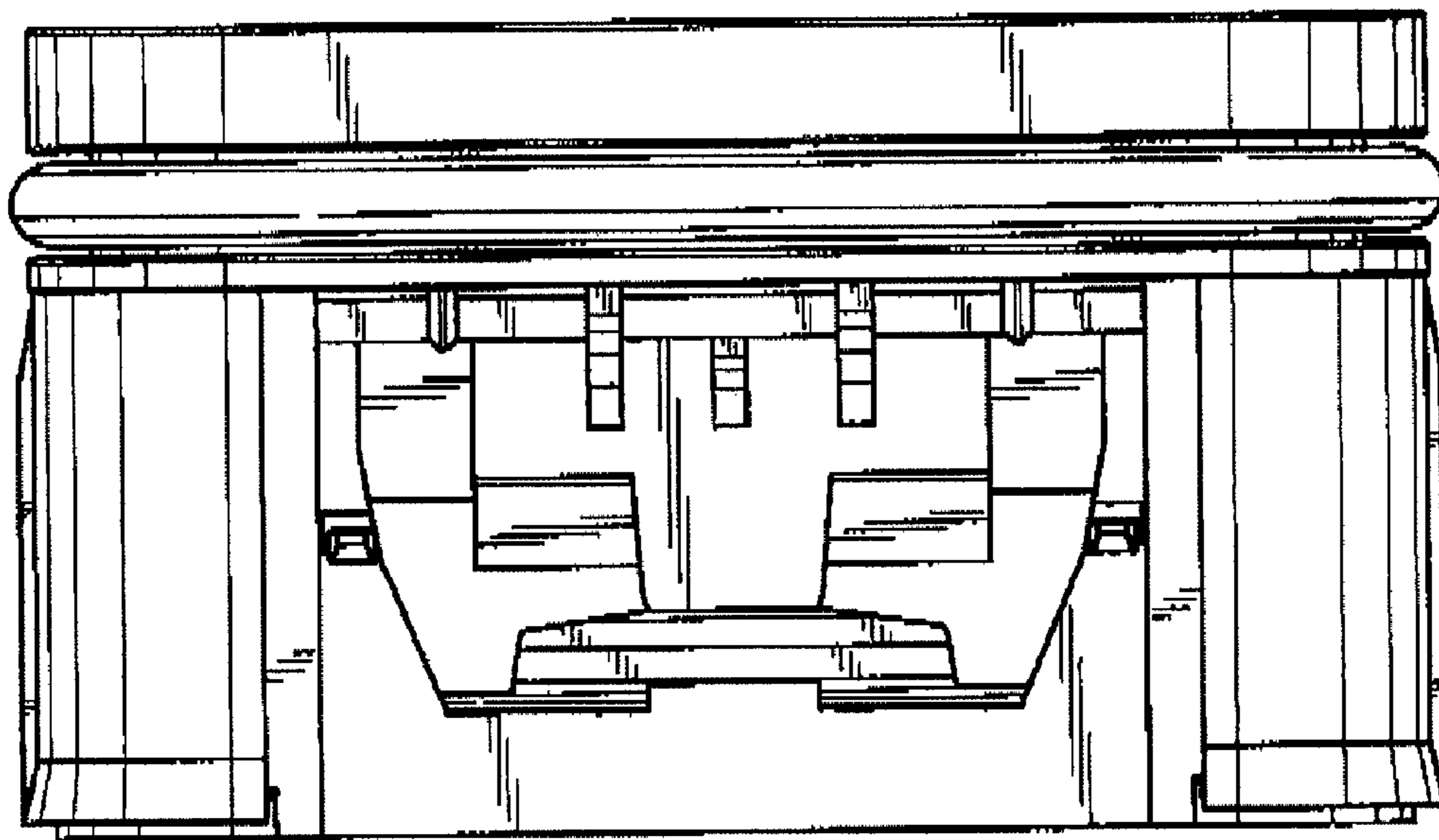


FIG. 4

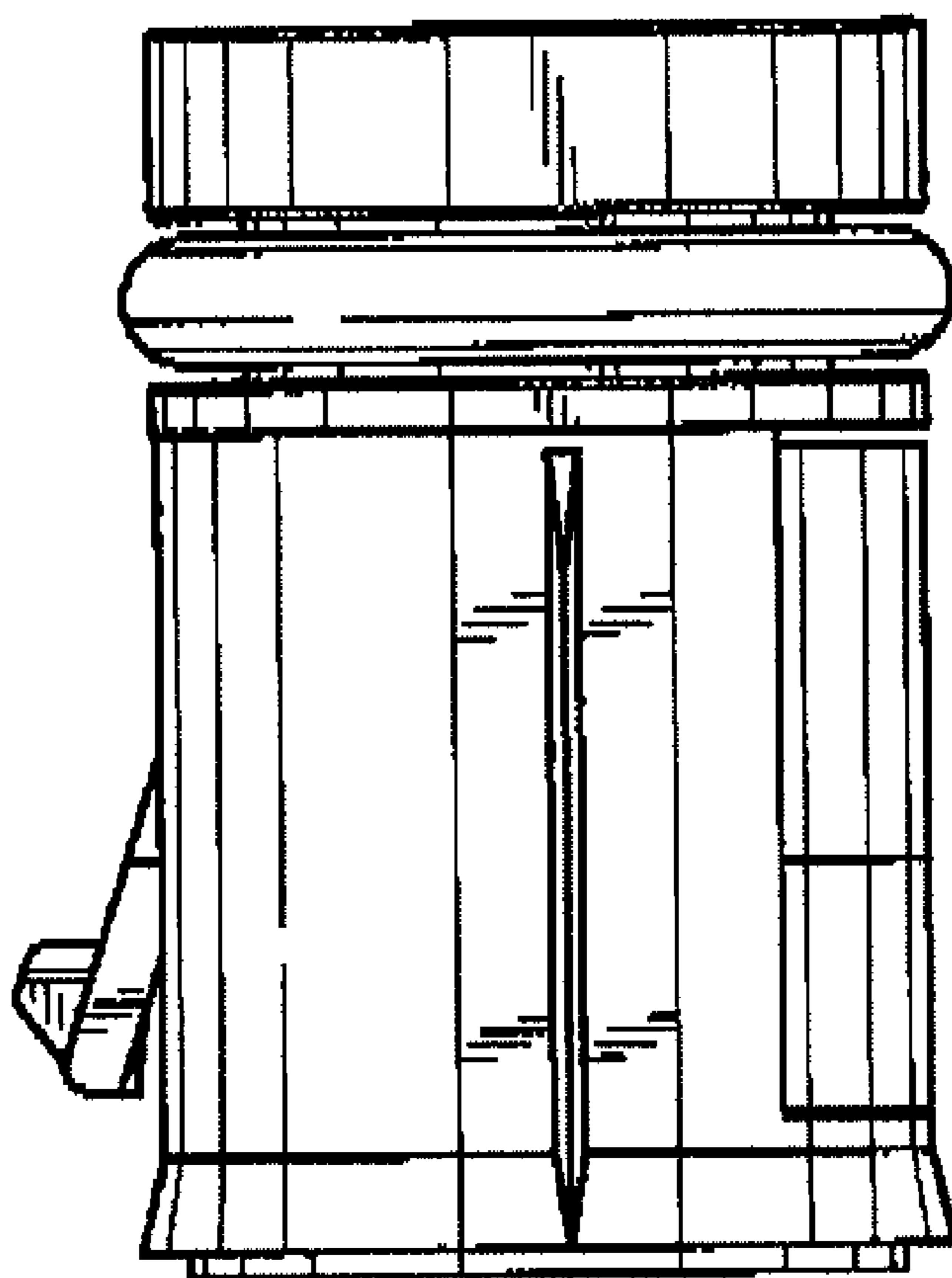


FIG. 5

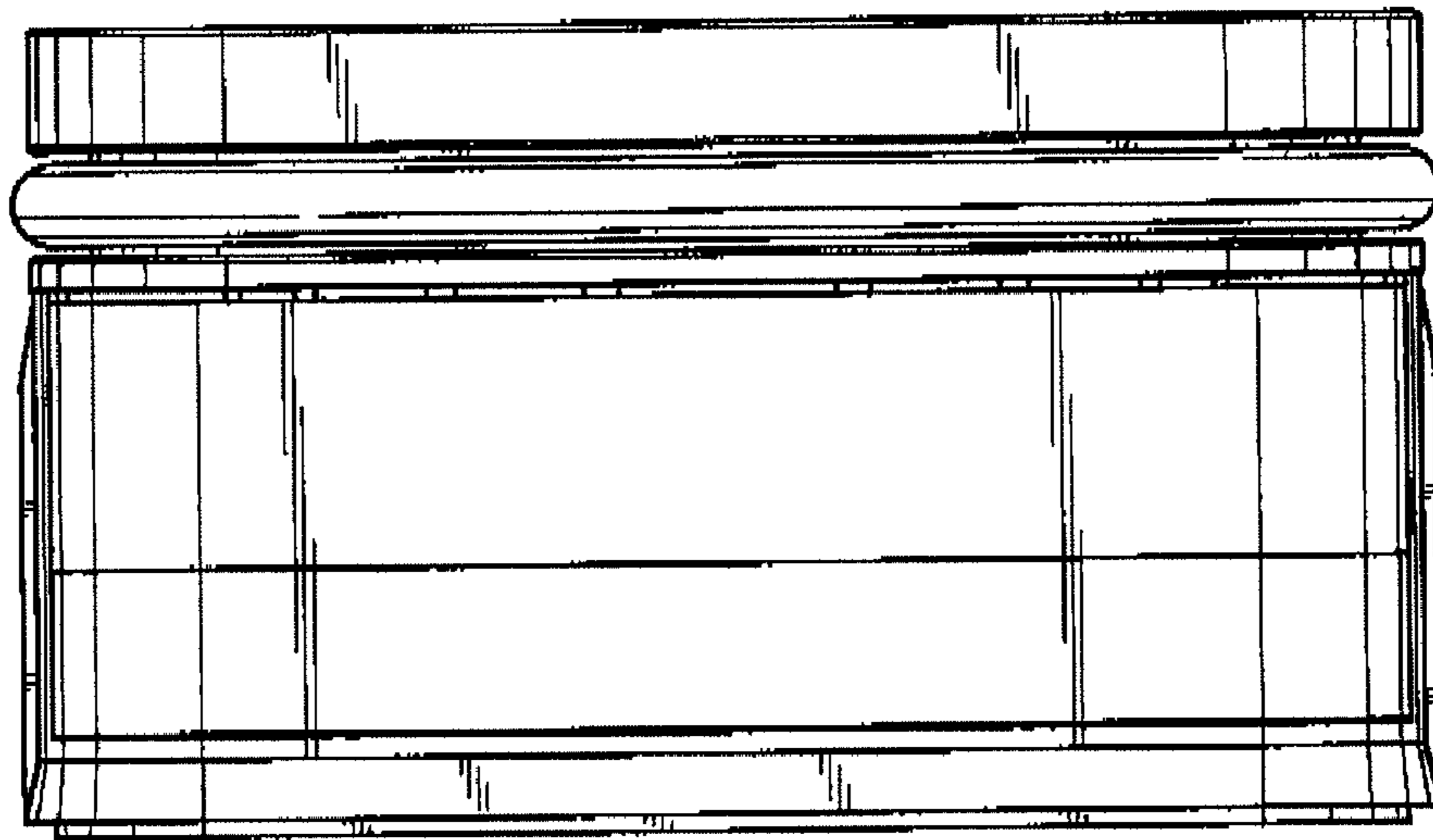


FIG. 6

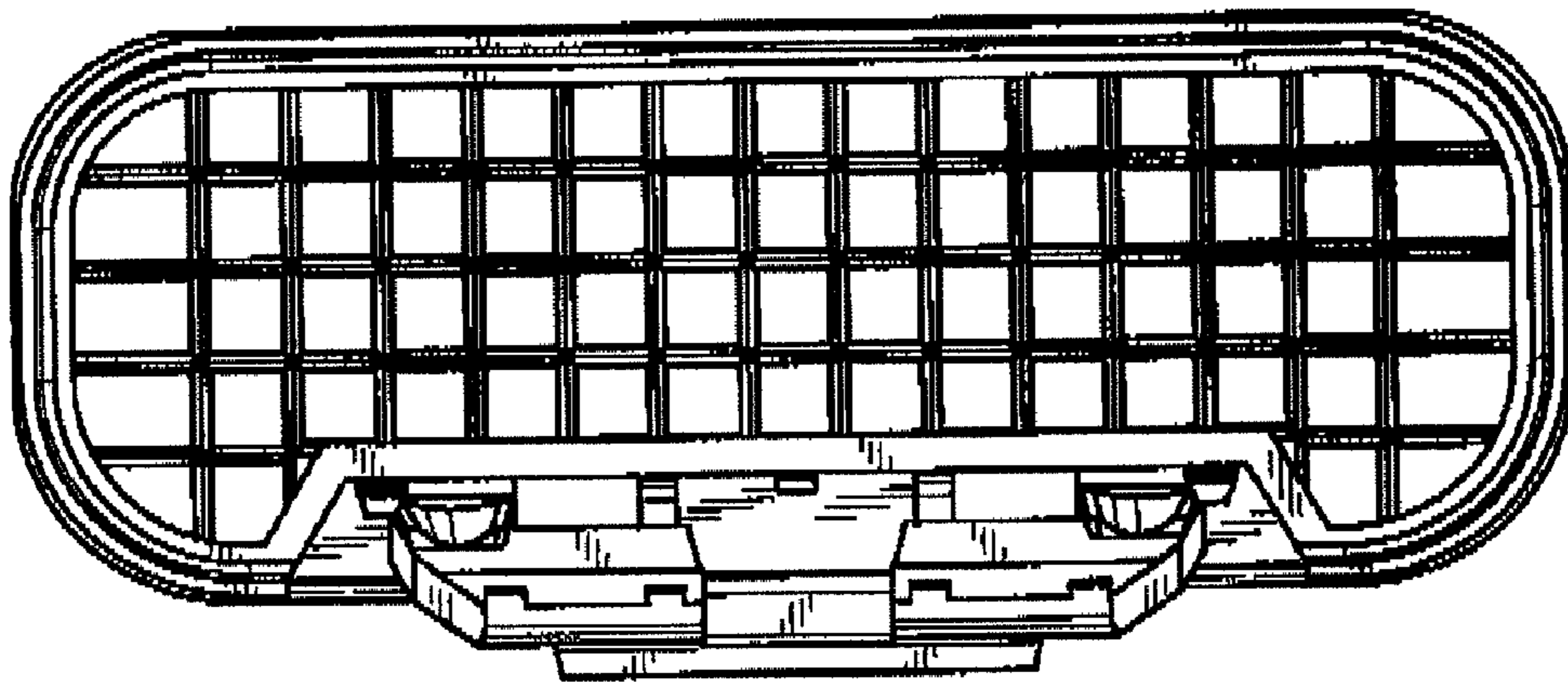


FIG. 7

