



US00D602566S

(12) **United States Design Patent**  
**Nimberger**

(10) **Patent No.:** **US D602,566 S**

(45) **Date of Patent:** **\*\* Oct. 20, 2009**

(54) **HAMMER UNION BALL VALVE**

D522,618 S \* 6/2006 Matsushita ..... D23/245  
D526,387 S \* 8/2006 Bonomi ..... D23/236  
7,306,010 B2 \* 12/2007 Gruener, Sr. .... 137/797

(75) Inventor: **Spencer M. Nimberger**, Houston, TX  
(US)

\* cited by examiner

(73) Assignee: **PGI International, Ltd.**, Houston, TX  
(US)

*Primary Examiner*—Cathron C. Brooks

*Assistant Examiner*—Maurice Stevens

(\*\*) Term: **14 Years**

(74) *Attorney, Agent, or Firm*—Browning Bushman, PC

(21) Appl. No.: **29/328,867**

(57) **CLAIM**

(22) Filed: **Dec. 3, 2008**

The ornamental design for a hammer union ball valve, as shown and described.

(51) **LOC (9) Cl.** ..... **23-01**

(52) **U.S. Cl.** ..... **D23/233**

(58) **Field of Classification Search** ..... D23/233–237,  
D23/244–249, 259, 262; 137/240, 412, 801;  
251/148, 152, 309

See application file for complete search history.

**DESCRIPTION**

FIG. 1 is a top, front perspective view of a hammer union ball valve;

FIG. 2 is a top, rear perspective view thereof;

FIG. 3 is a side view thereof;

FIG. 4 is a front view thereof;

FIG. 5 is an opposite side view thereof; and,

FIG. 6 is a top view thereof.

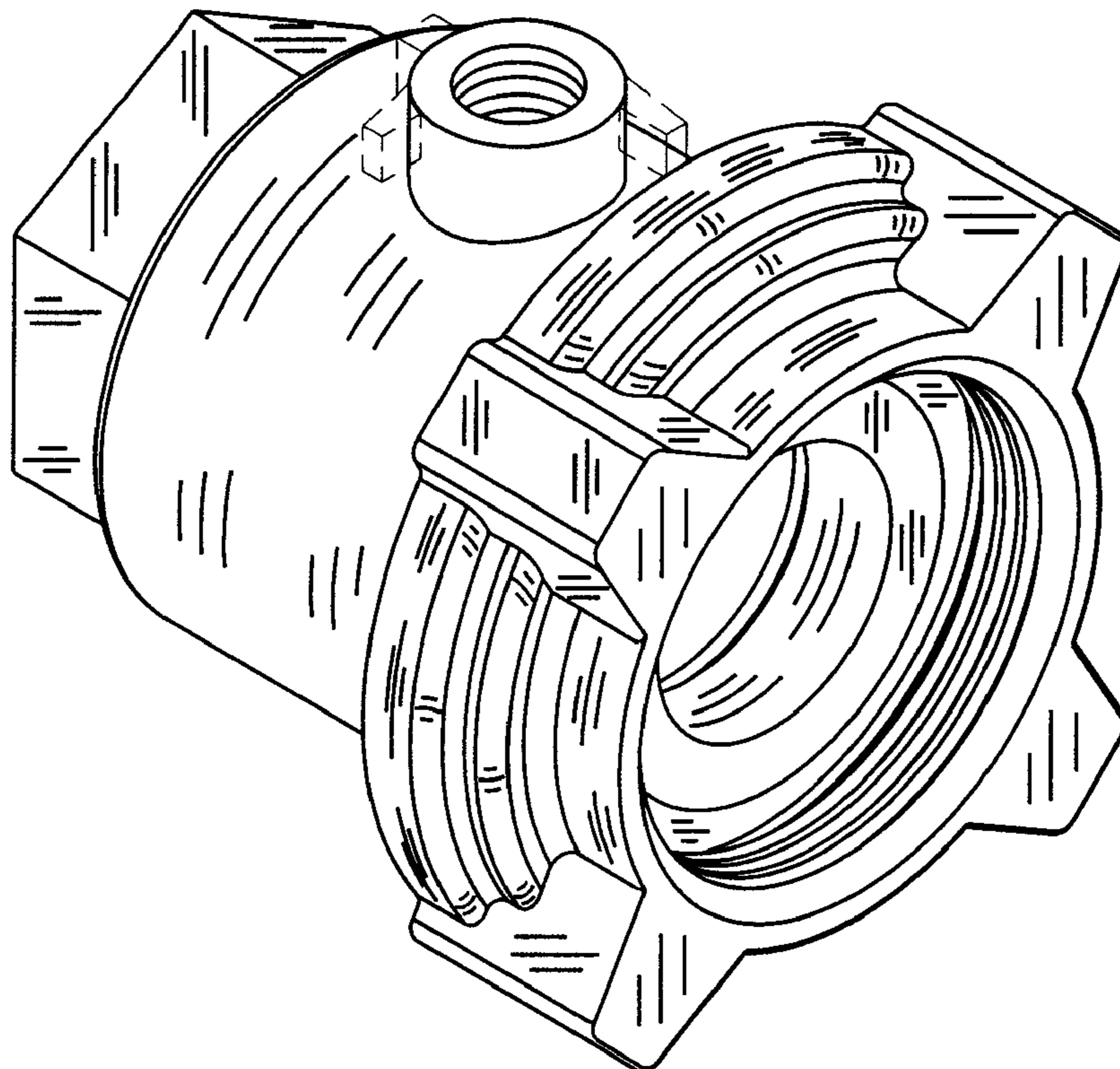
The broken lines showing unclaimed portions of the ball valve form no part of the claimed design.

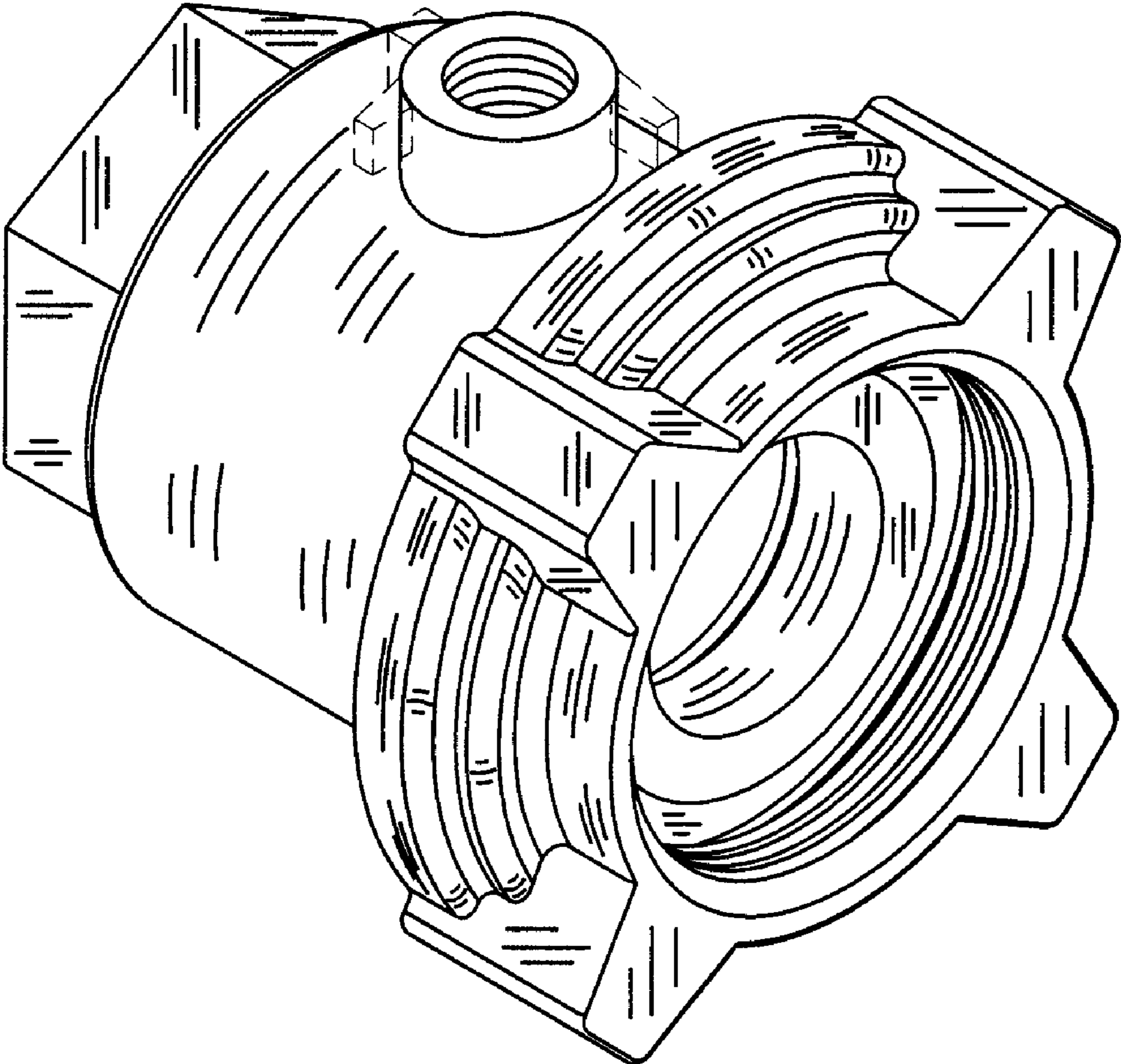
(56) **References Cited**

U.S. PATENT DOCUMENTS

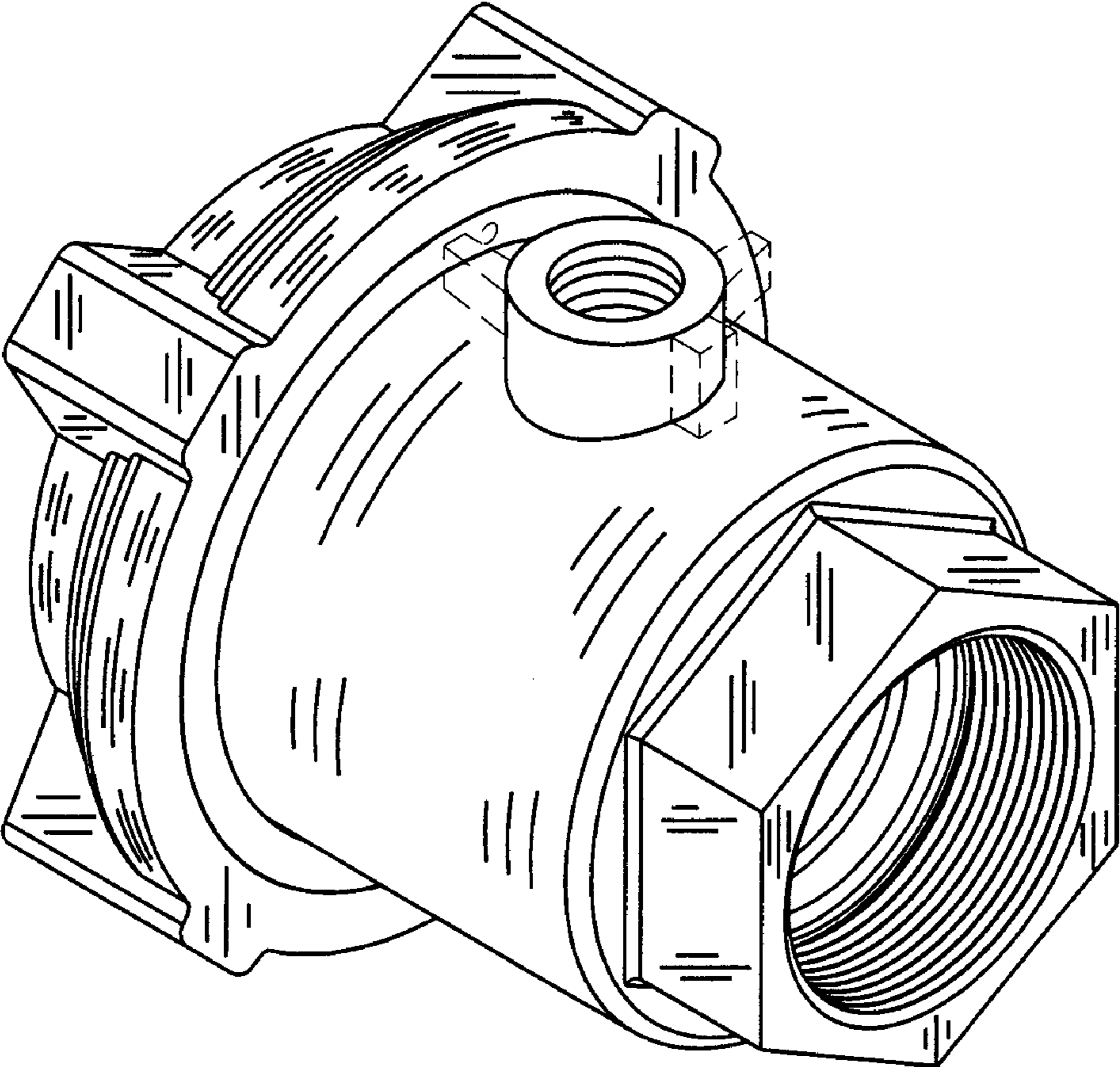
D297,254 S \* 8/1988 Odate et al. .... D23/248  
D321,928 S \* 11/1991 Milo ..... D23/245  
D366,693 S \* 1/1996 Gregor ..... D23/245  
D372,073 S \* 7/1996 Ozaki et al. .... D23/245  
D455,474 S \* 4/2002 Knobel et al. .... D23/245  
D459,787 S \* 7/2002 Kitazawa et al. .... D23/236

**1 Claim, 6 Drawing Sheets**

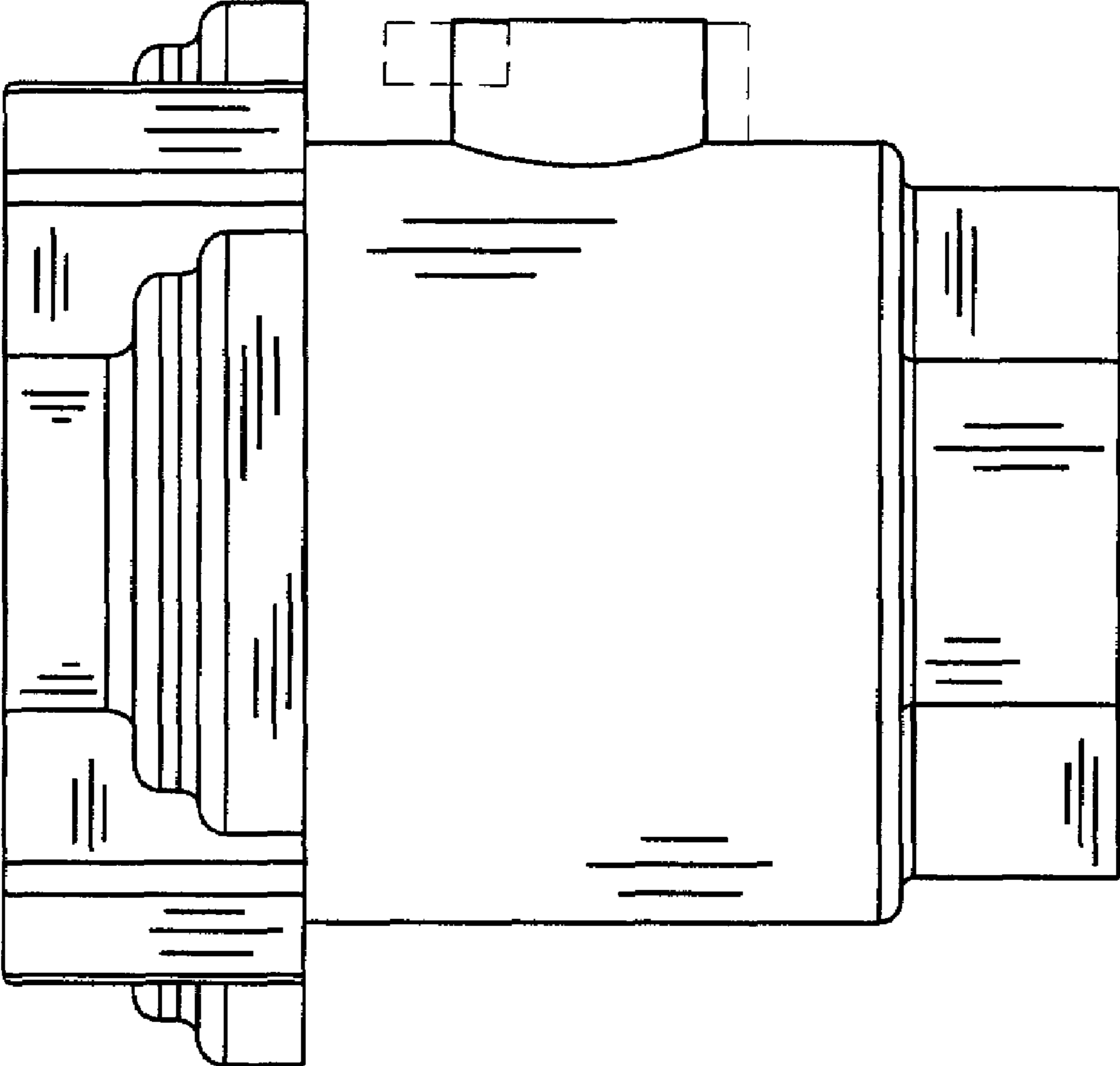




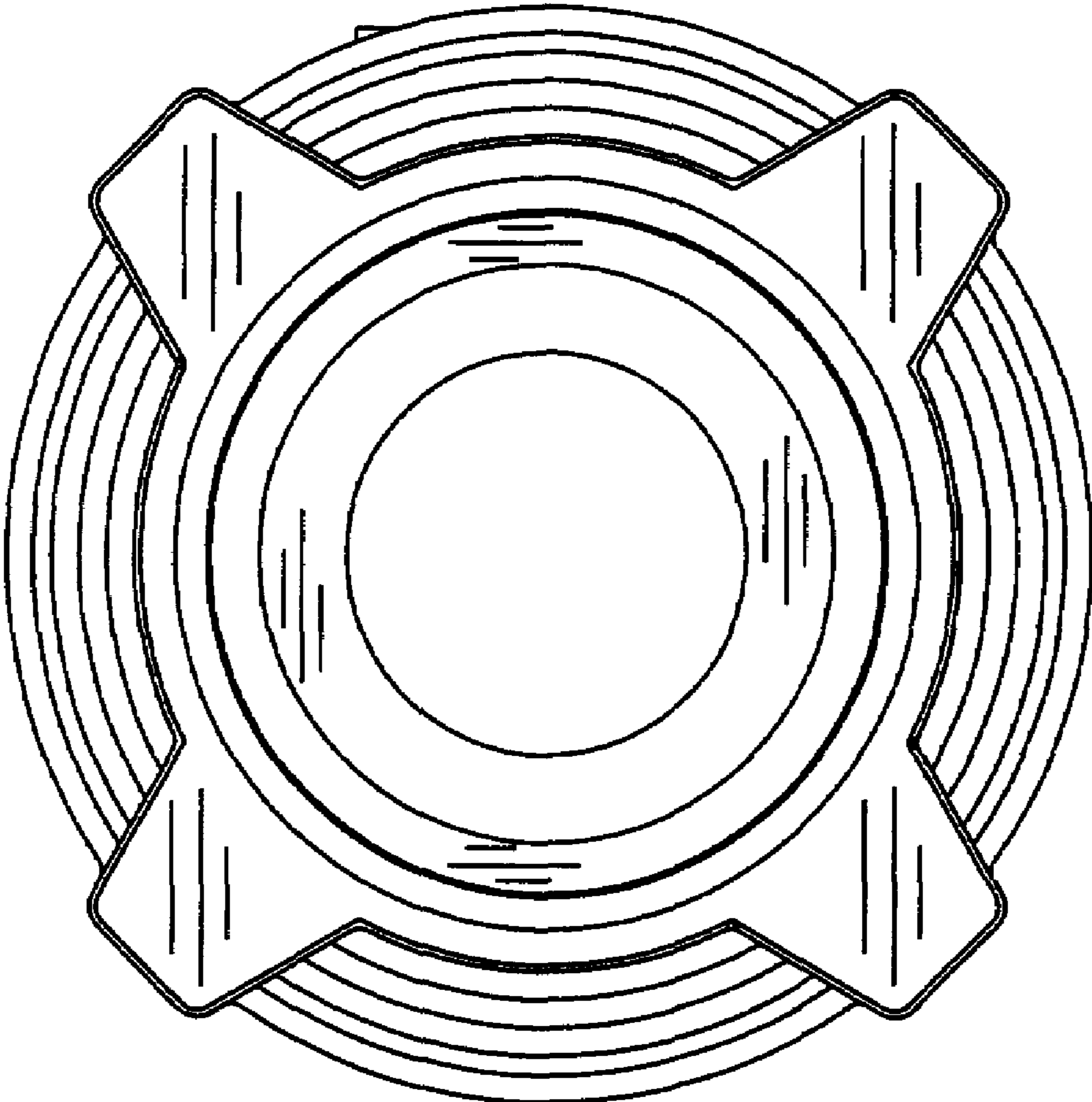
**FIG. 1**



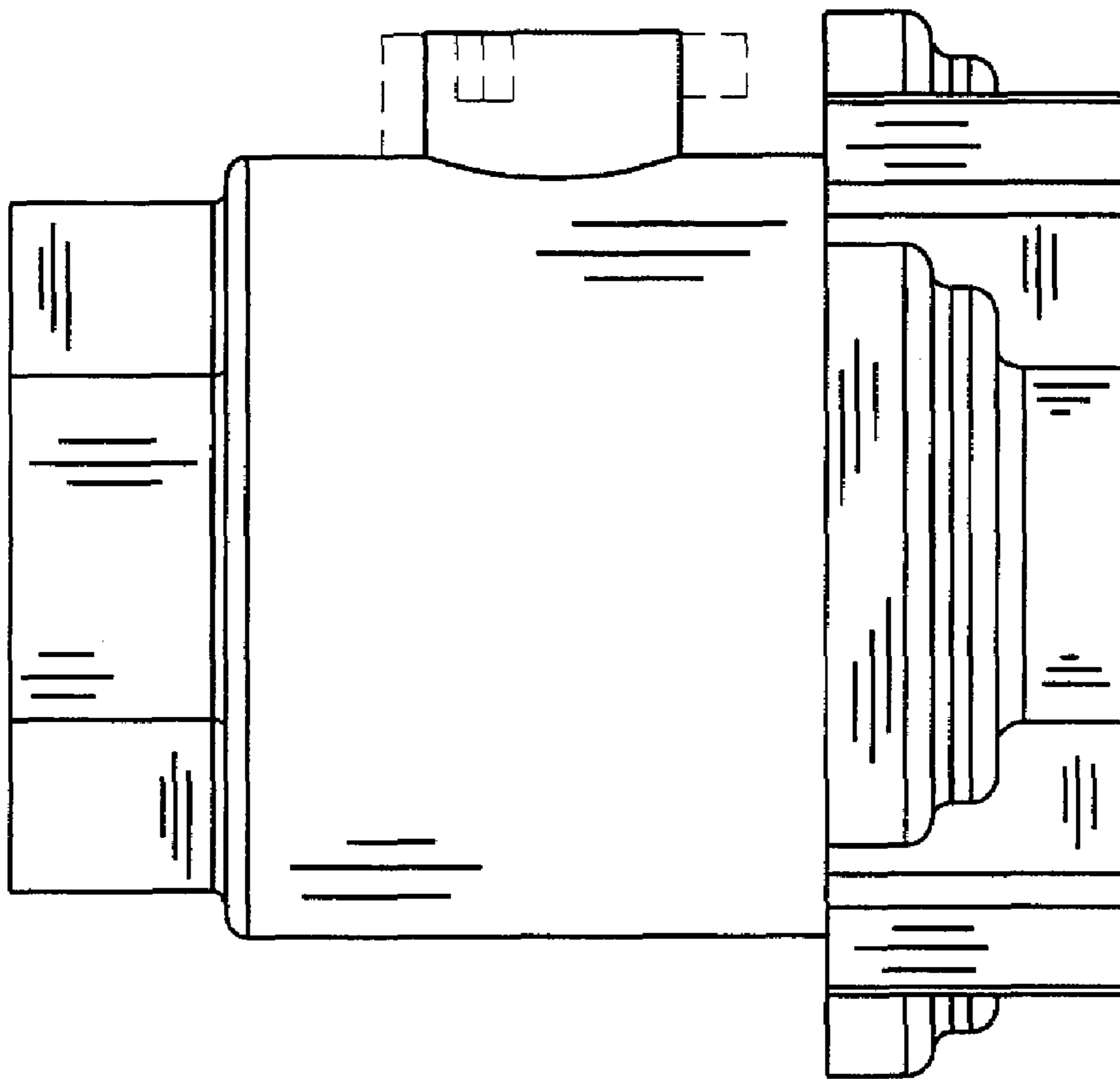
**FIG. 2**



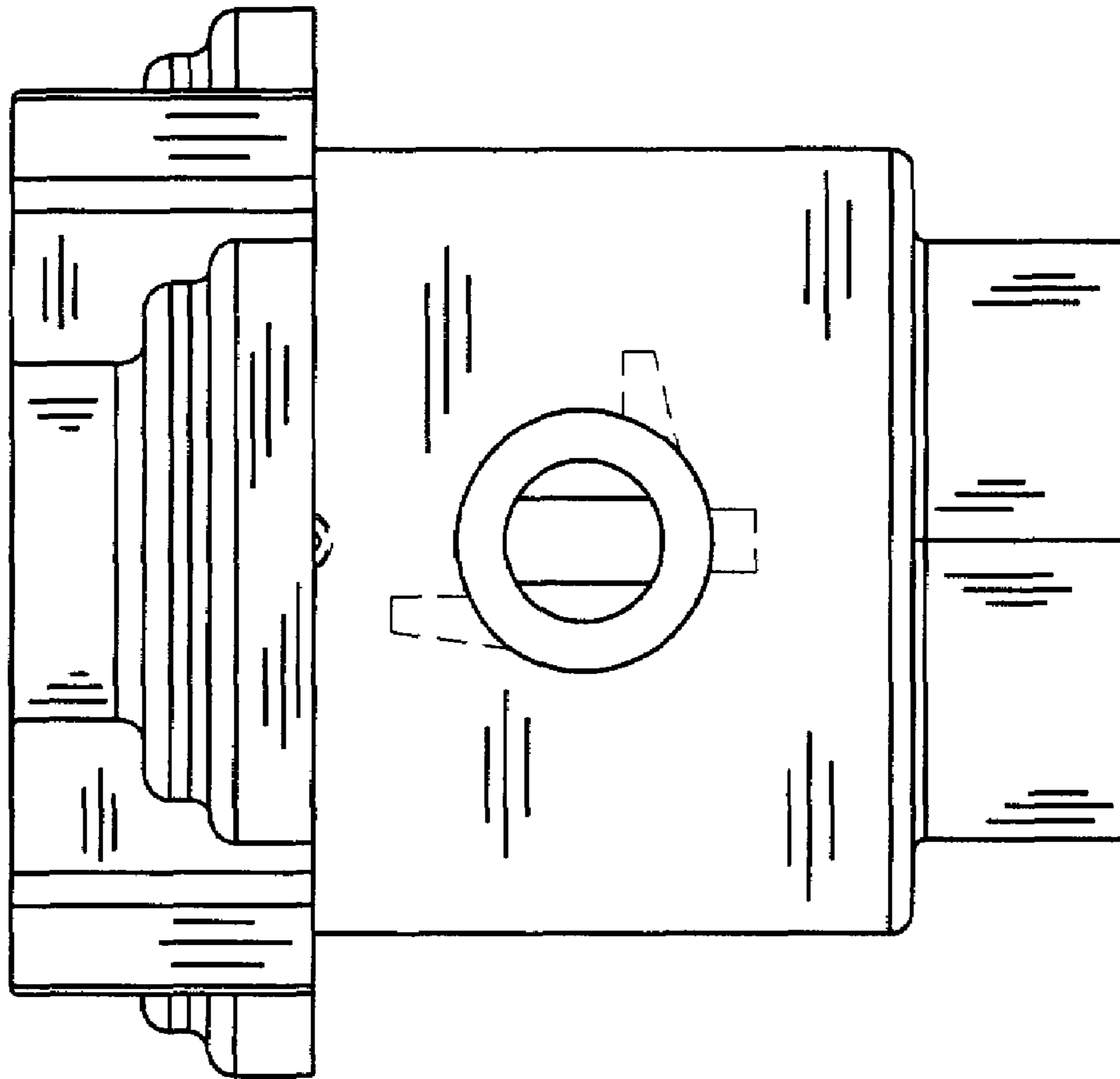
**FIG. 3**



**FIG. 4**



**FIG. 5**



**FIG. 6**