



US00D602565S

(12) **United States Design Patent**
Nimberger

(10) **Patent No.:** **US D602,565 S**

(45) **Date of Patent:** **** Oct. 20, 2009**

(54) **BALL VALVE**

(75) Inventor: **Spencer M. Nimberger**, Houston, TX
(US)

(73) Assignee: **PGI International, Ltd.**, Houston, TX
(US)

(**) Term: **14 Years**

(21) Appl. No.: **29/328,865**

(22) Filed: **Dec. 3, 2008**

(51) **LOC (9) Cl.** **23-01**

(52) **U.S. Cl.** **D23/233**

(58) **Field of Classification Search** D23/233–237,
D23/244–249, 259, 262; 137/240, 412, 801;
251/148, 152, 309

See application file for complete search history.

(56) **References Cited**

U.S. PATENT DOCUMENTS

D297,254 S *	8/1988	Odate et al.	D23/248
D321,928 S *	11/1991	Milo	D23/245
D366,693 S *	1/1996	Gregor	D23/245
D372,073 S *	7/1996	Ozaki et al.	D23/245
D455,474 S *	4/2002	Knobel et al.	D23/245

D459,787 S *	7/2002	Kitazawa et al.	D23/236
D522,618 S *	6/2006	Matsushita	D23/245
D526,387 S *	8/2006	Bonomi	D23/236
7,306,010 B2 *	12/2007	Gruener, Sr.	137/797

* cited by examiner

Primary Examiner—Cathron C. Brooks

Assistant Examiner—Maurice Stevens

(74) *Attorney, Agent, or Firm*—Browning Bushman, PC

(57) **CLAIM**

The ornamental design for a ball valve, as shown and described.

DESCRIPTION

FIG. 1 is a top, front perspective view of a ball valve;

FIG. 2 is a top, rear perspective view thereof;

FIG. 3 is a side view thereof;

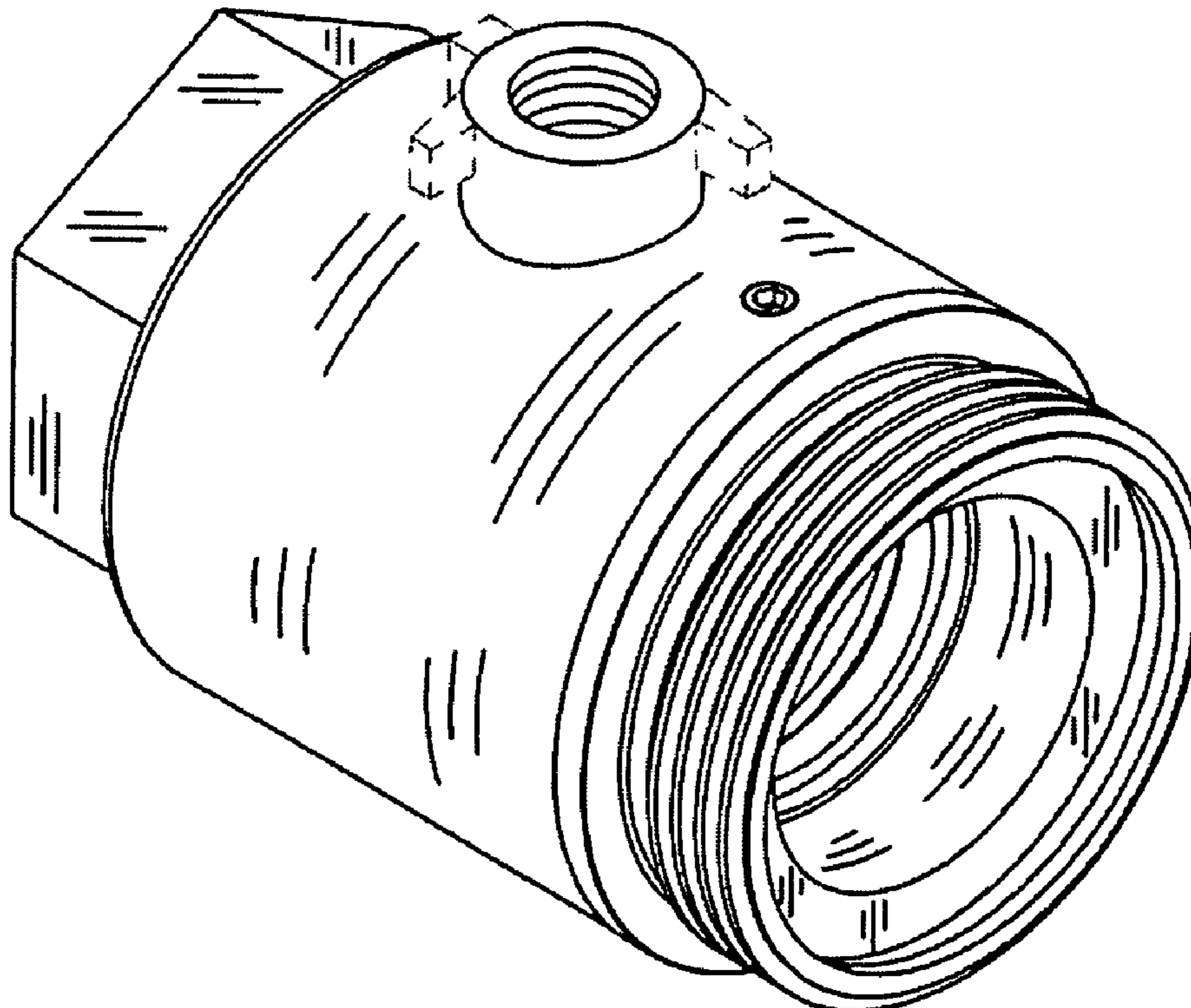
FIG. 4 is a front view thereof;

FIG. 5 is an opposite side view thereof; and,

FIG. 6 is a top view thereof.

The broken lines showing unclaimed portions of the ball valve form no part of the claimed design.

1 Claim, 6 Drawing Sheets



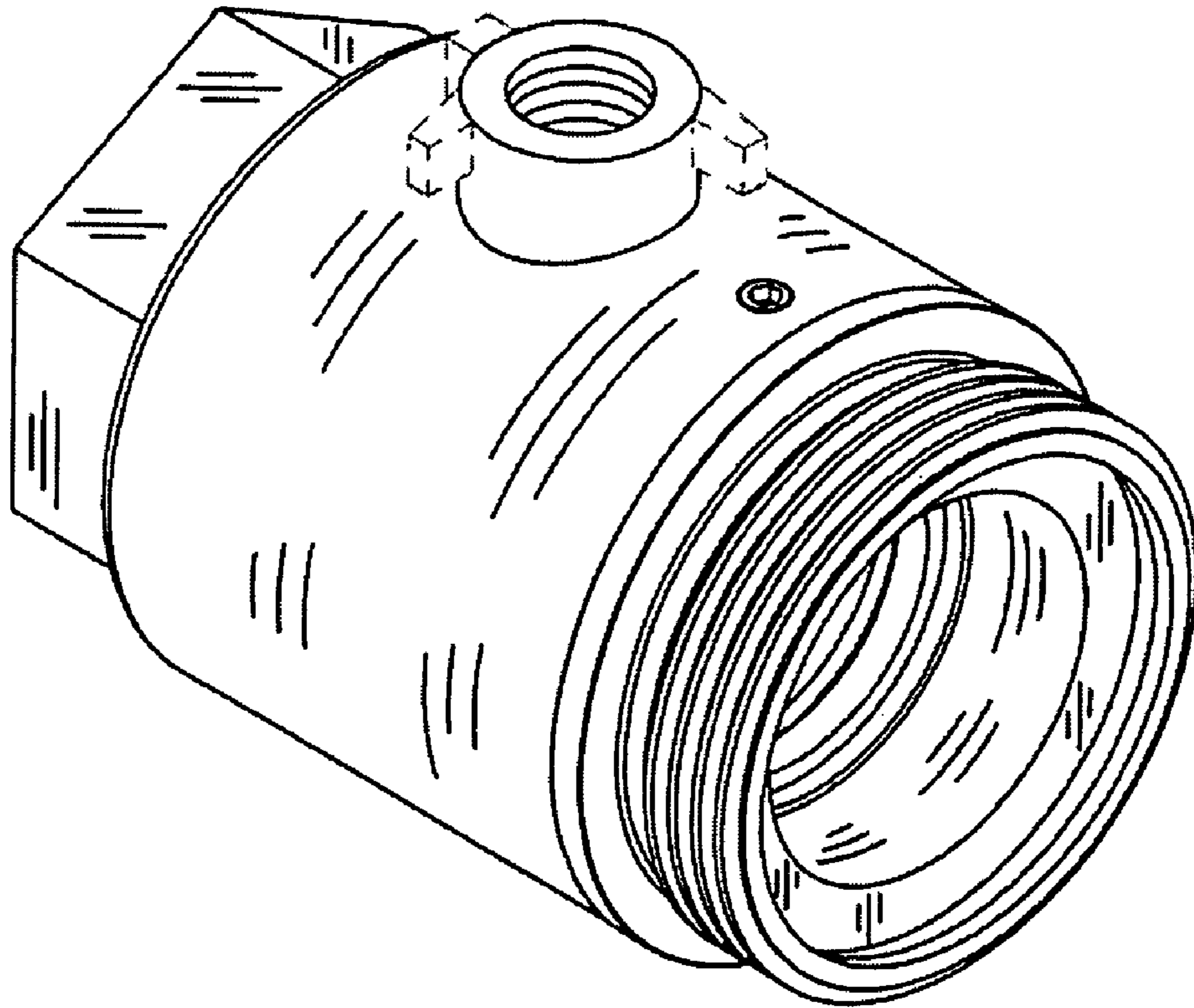


FIG. 1

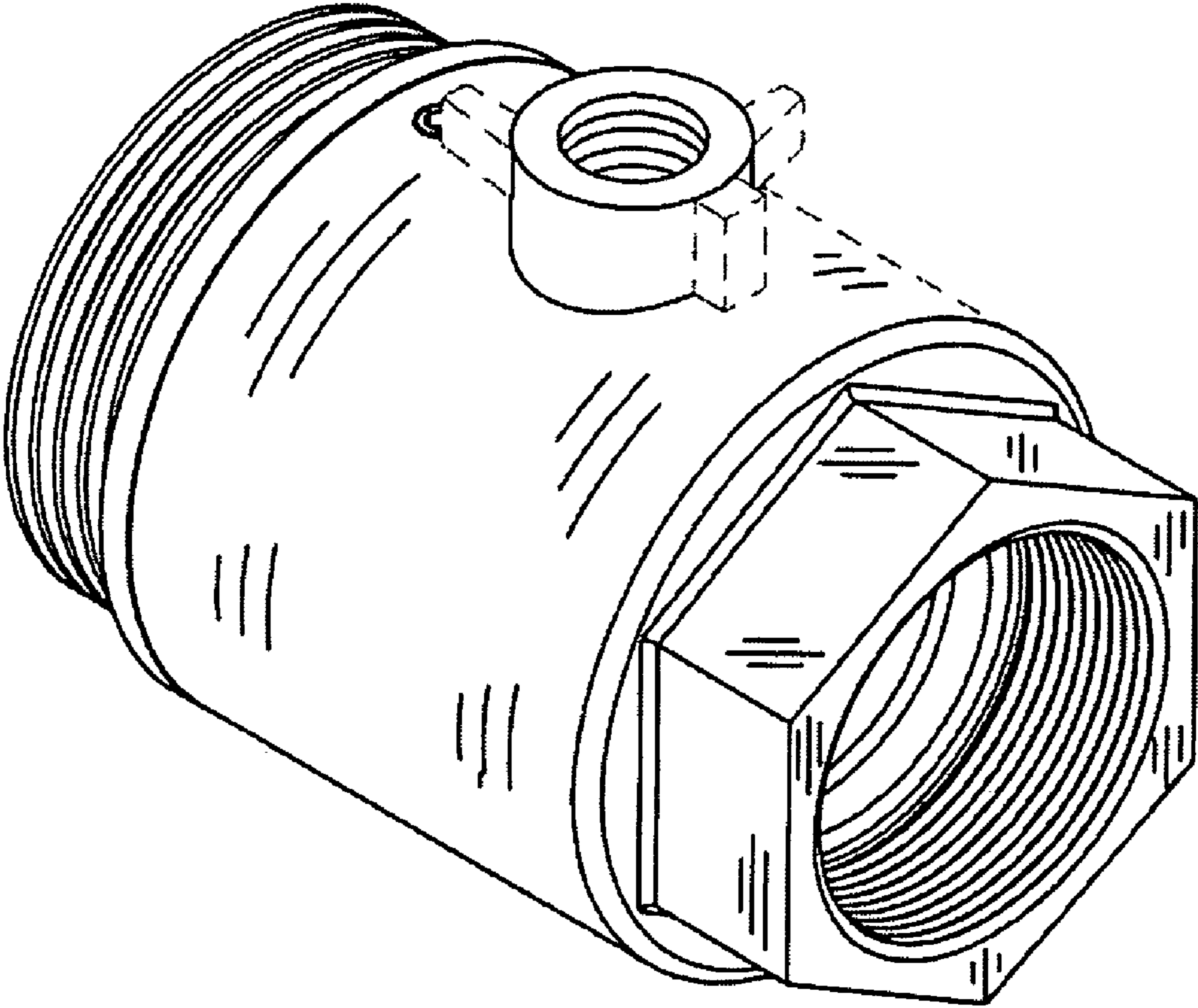


FIG. 2

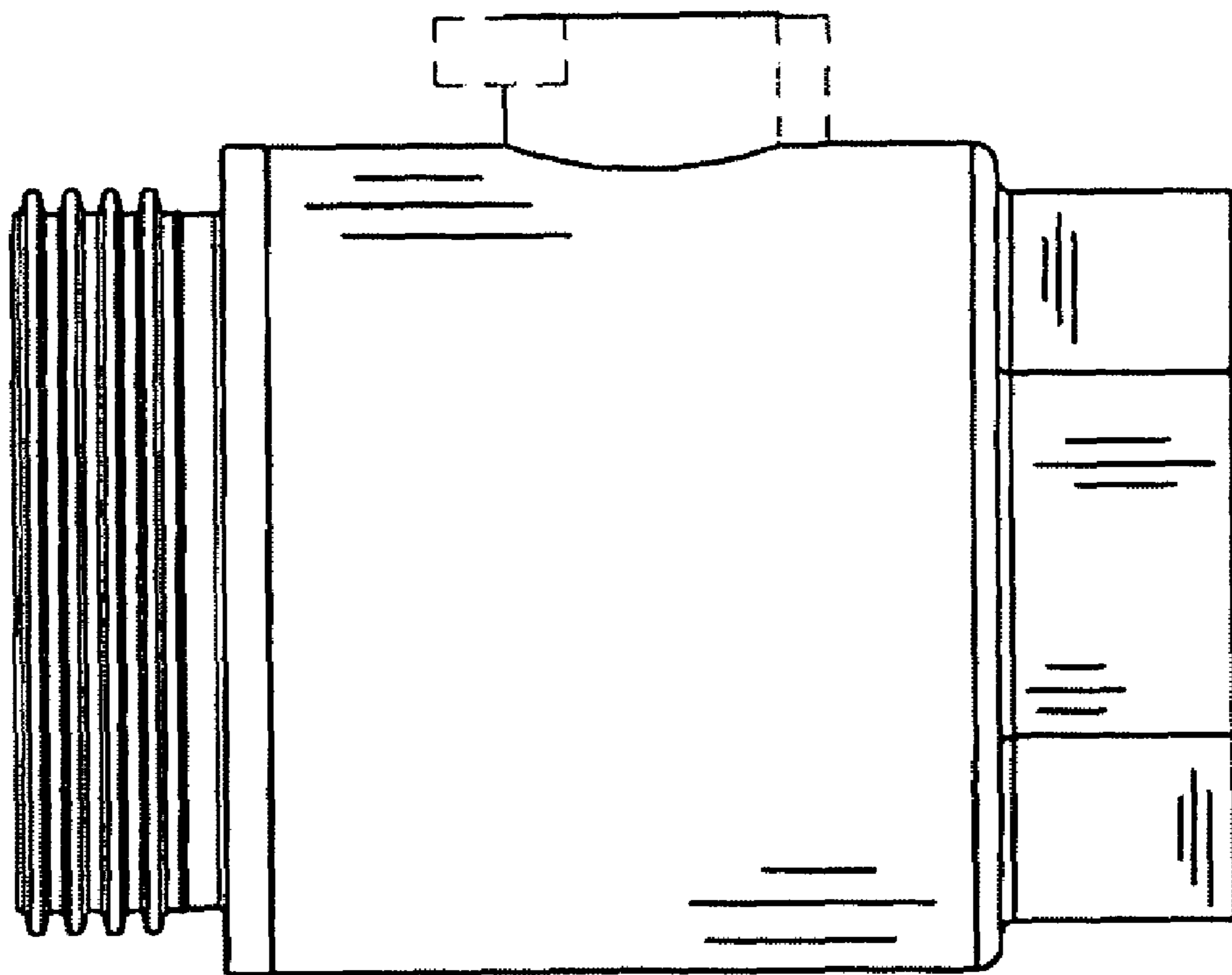


FIG. 3

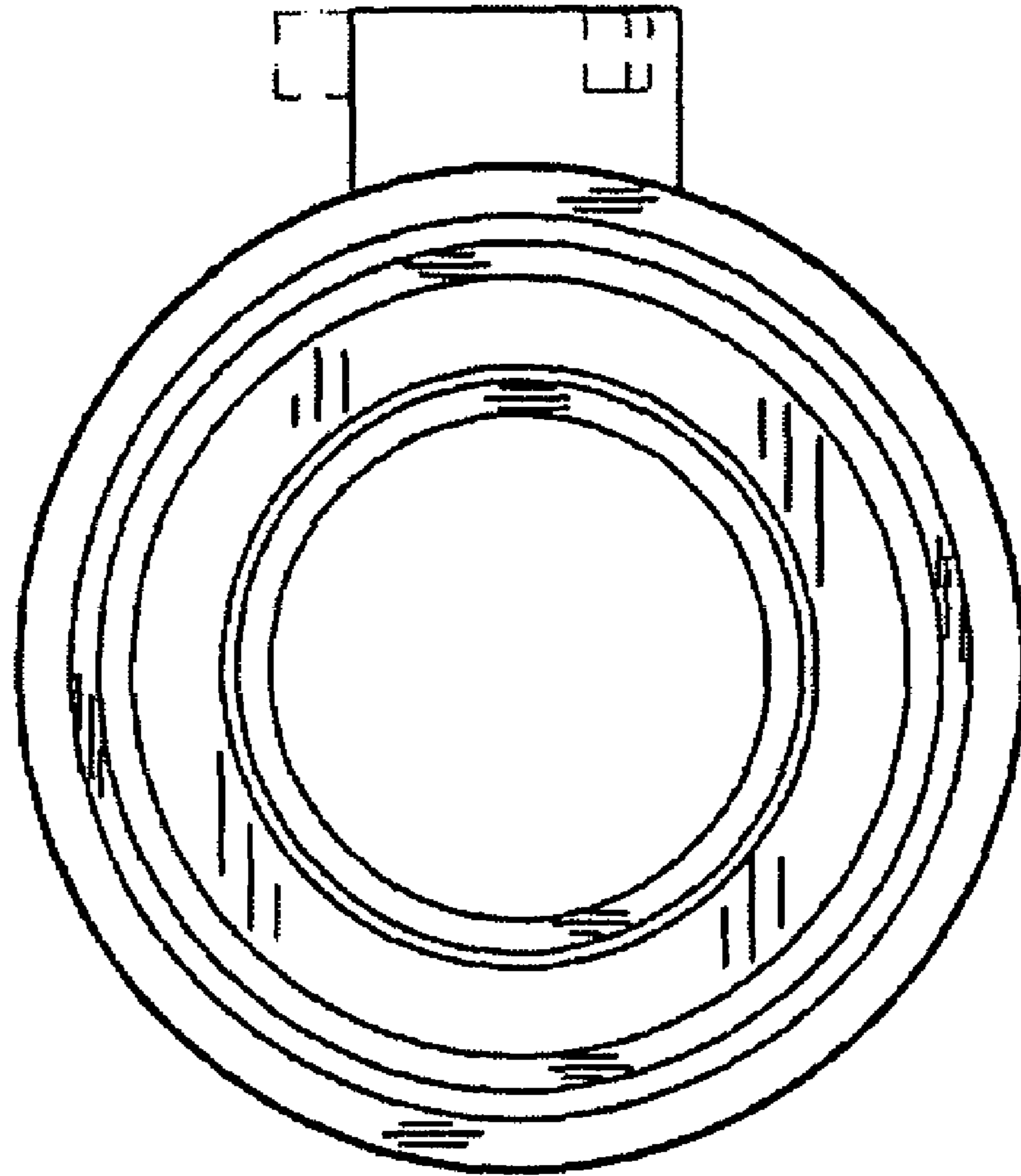


FIG. 4

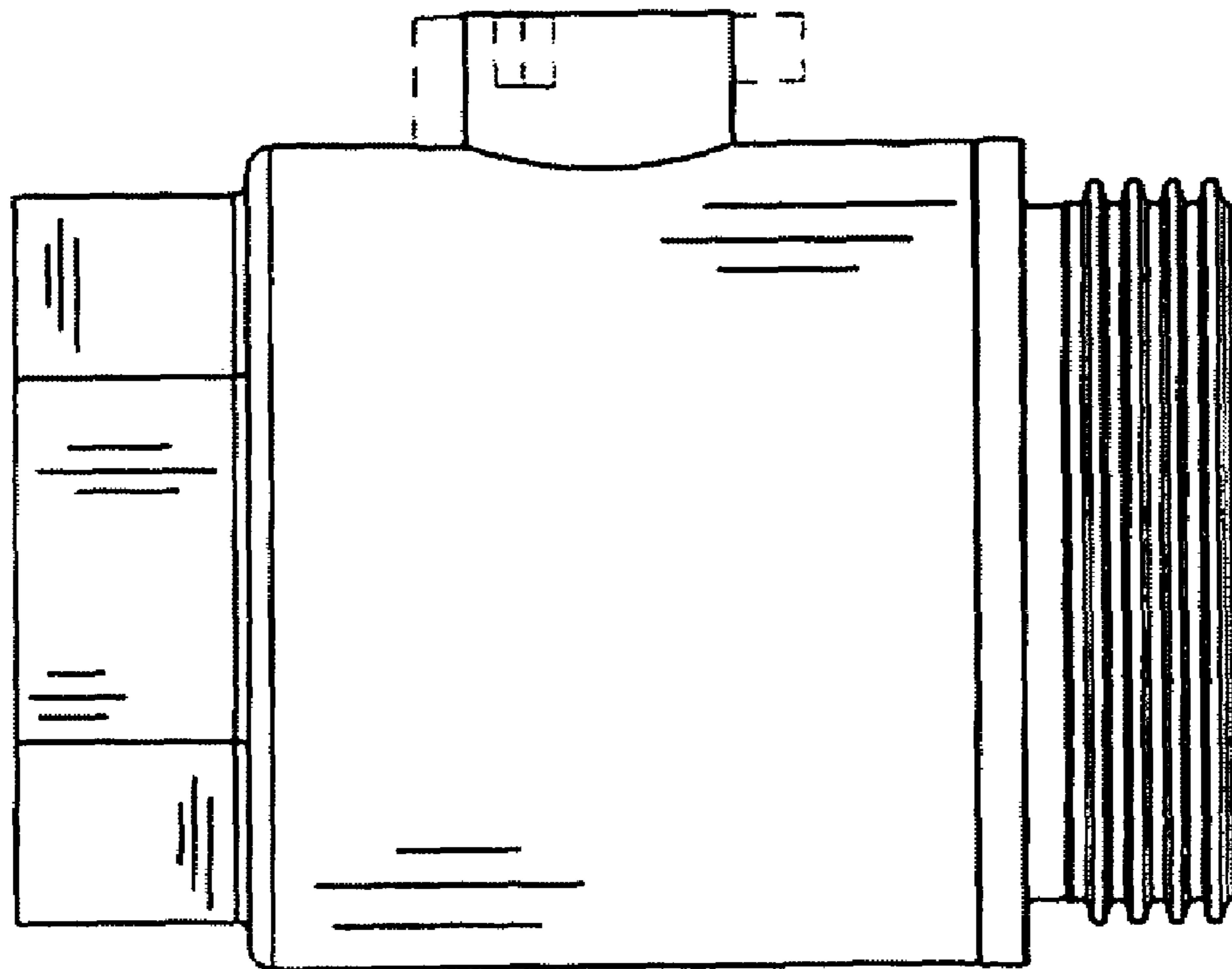


FIG. 5

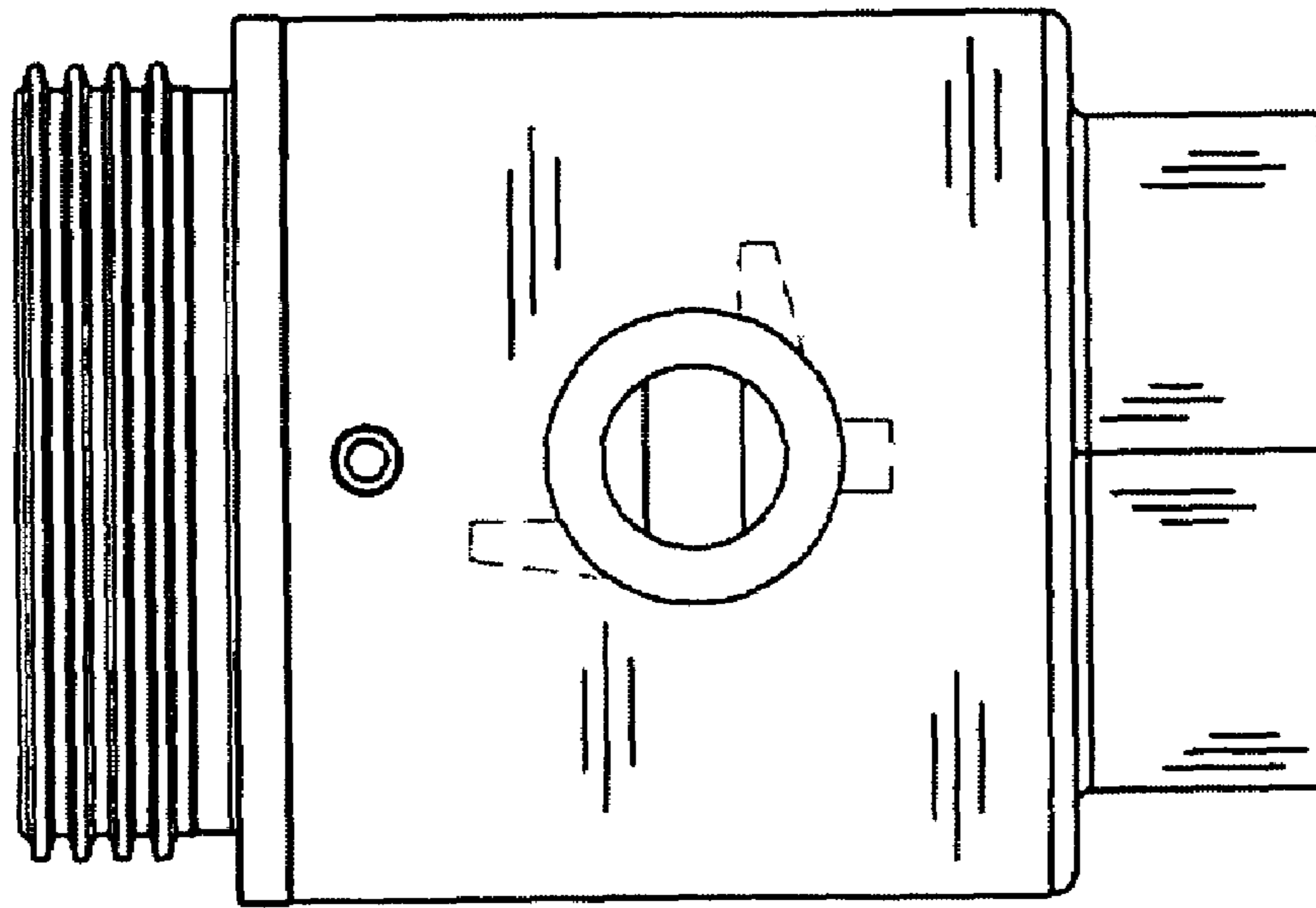


FIG. 6