



US00D602564S

(12) **United States Design Patent**  
**Nimberger**

(10) **Patent No.:** **US D602,564 S**

(45) **Date of Patent:** **\*\* Oct. 20, 2009**

(54) **CHECK VALVE**

(75) **Inventor:** **Spencer M. Nimberger**, Houston, TX  
(US)

(73) **Assignee:** **PGI International, Ltd.**, Houston, TX  
(US)

(\*\*) **Term:** **14 Years**

(21) **Appl. No.:** **29/328,862**

(22) **Filed:** **Dec. 3, 2008**

(51) **LOC (9) Cl.** ..... **23-01**

(52) **U.S. Cl.** ..... **D23/233**

(58) **Field of Classification Search** ..... D23/233-237,  
D23/244-249, 259, 260, 262; 137/15.18,  
137/15.19, 218, 356, 512.4, 512.5, 515, 515.5,  
137/515.7, 527, 527.8, 554, 843, 844, 846,  
137/859, 883; 251/25, 331; D24/110.6,  
D24/112, 129; 128/203.11, 204.25, 205.11,  
128/205.24, 206.15, 207.16

See application file for complete search history.

(56) **References Cited**

**U.S. PATENT DOCUMENTS**

2,339,101 A \* 1/1944 Parker ..... 137/514.5  
D269,633 S \* 7/1983 Willinger et al. .... D23/237  
D321,928 S \* 11/1991 Milo ..... D23/245  
D354,335 S \* 1/1995 Siposs ..... D23/237

D364,210 S \* 11/1995 Loerop et al. .... D23/237  
D370,963 S \* 6/1996 Daansen ..... D23/235  
D419,217 S \* 1/2000 Lee ..... D23/237  
D426,617 S \* 6/2000 Hansen ..... D23/237  
D496,091 S \* 9/2004 Katzman et al. .... D23/235  
D536,443 S \* 2/2007 Latsos ..... D24/110.6  
D576,704 S \* 9/2008 Gilcher ..... D23/233

\* cited by examiner

*Primary Examiner*—Cathron C. Brooks

*Assistant Examiner*—Maurice Stevens

(74) *Attorney, Agent, or Firm*—Browning Bushman, PC

(57) **CLAIM**

The ornamental design for a check valve, as shown and described.

**DESCRIPTION**

FIG. 1 is a top, front perspective view of a check valve;

FIG. 2 is a top, rear perspective view thereof;

FIG. 3 is a side view thereof;

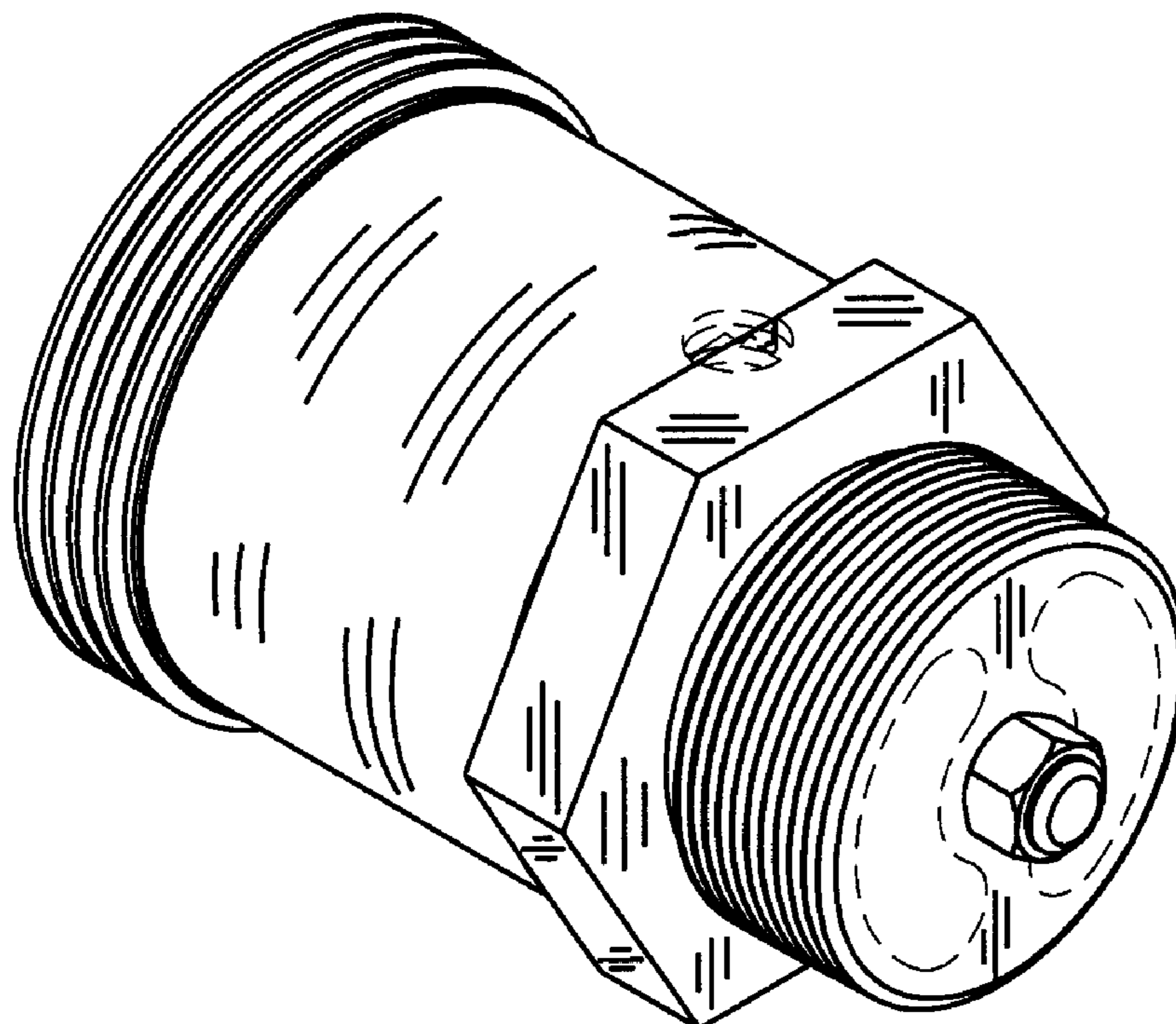
FIG. 4 is a front view thereof;

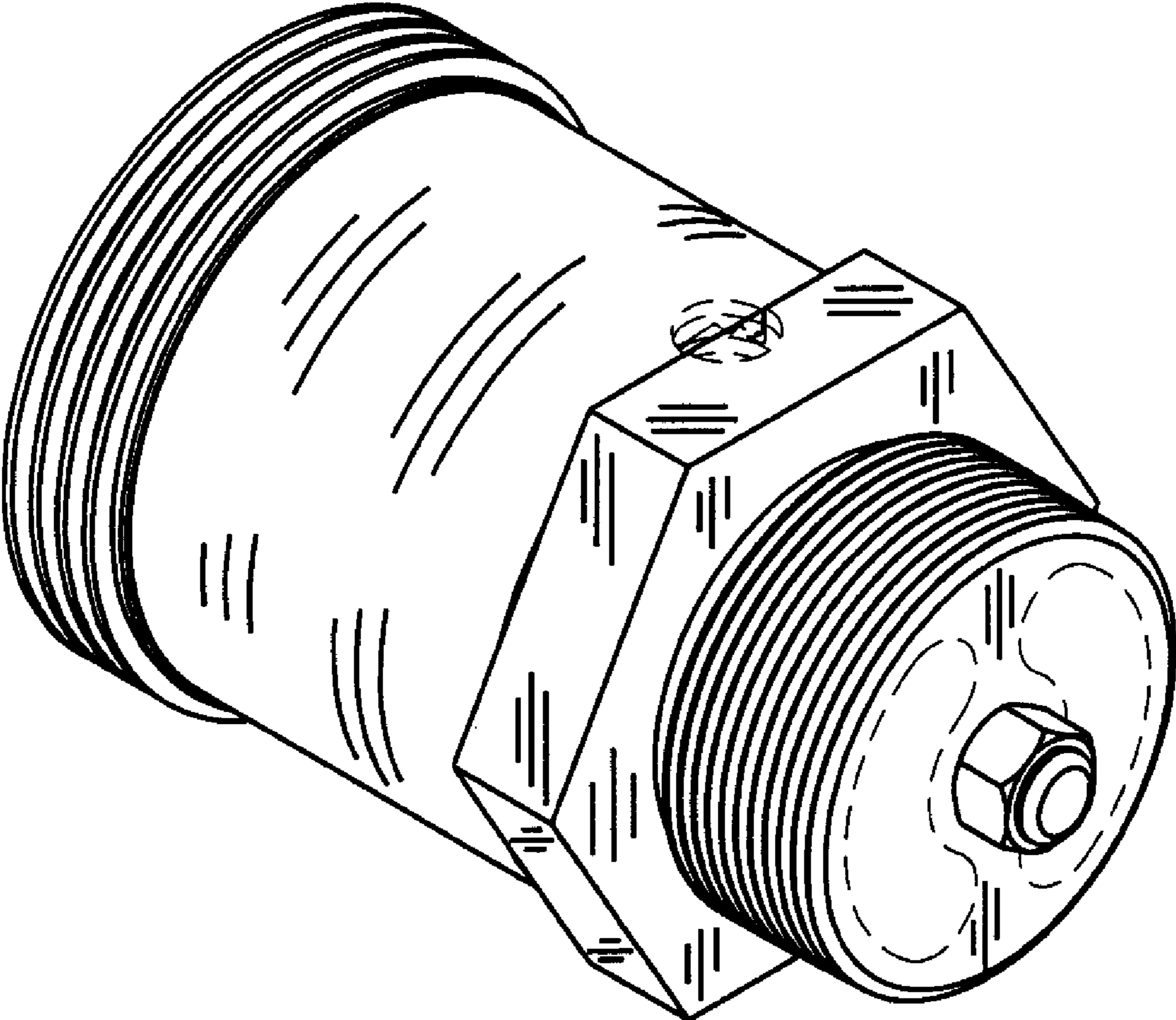
FIG. 5 is a rear view thereof; and,

FIG. 6 is a top view thereof.

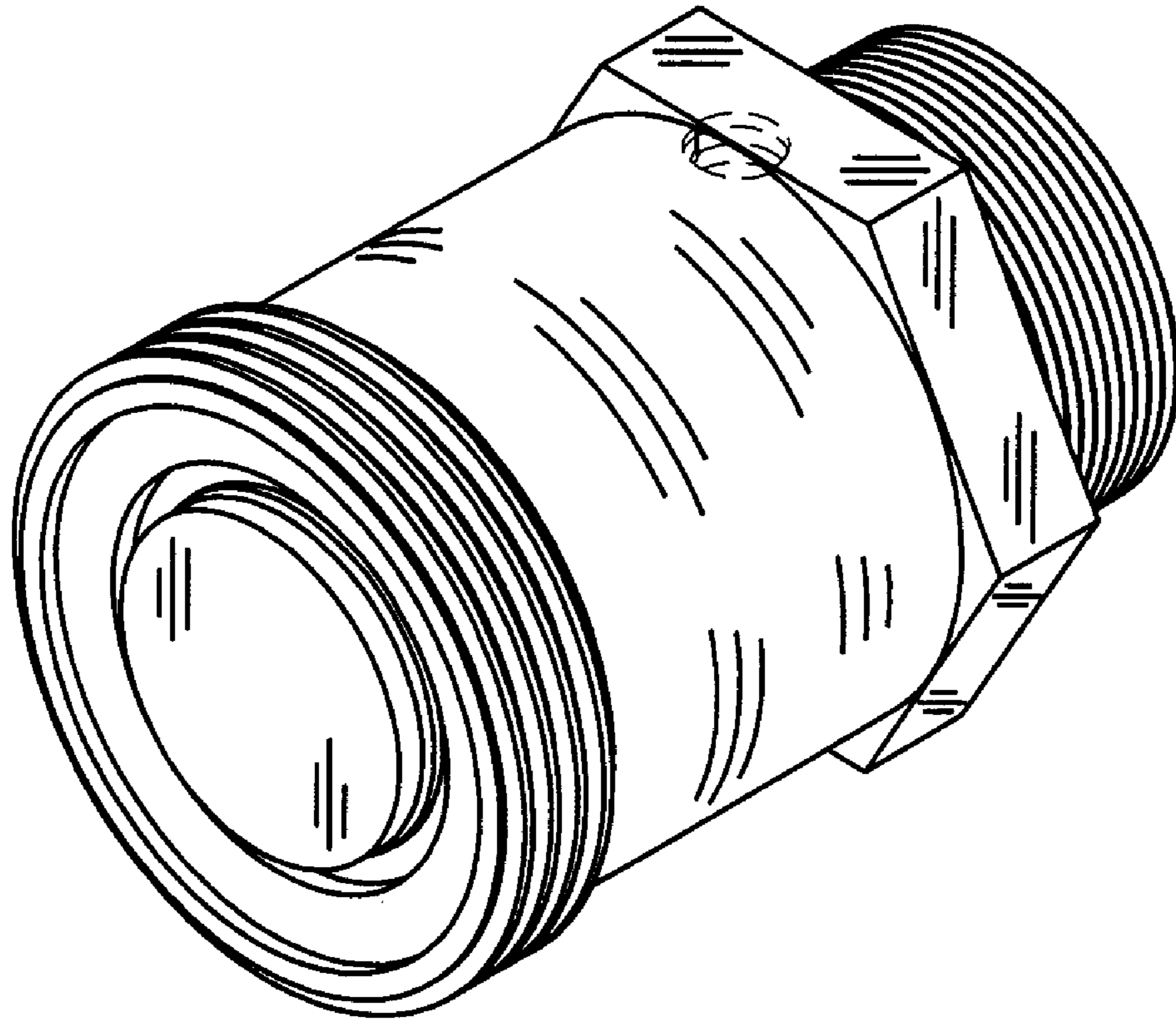
The broken lines showing unclaimed portions of the check valve in FIGS. 1, 2, 4 and 6 form no part of the claimed design.

**1 Claim, 6 Drawing Sheets**

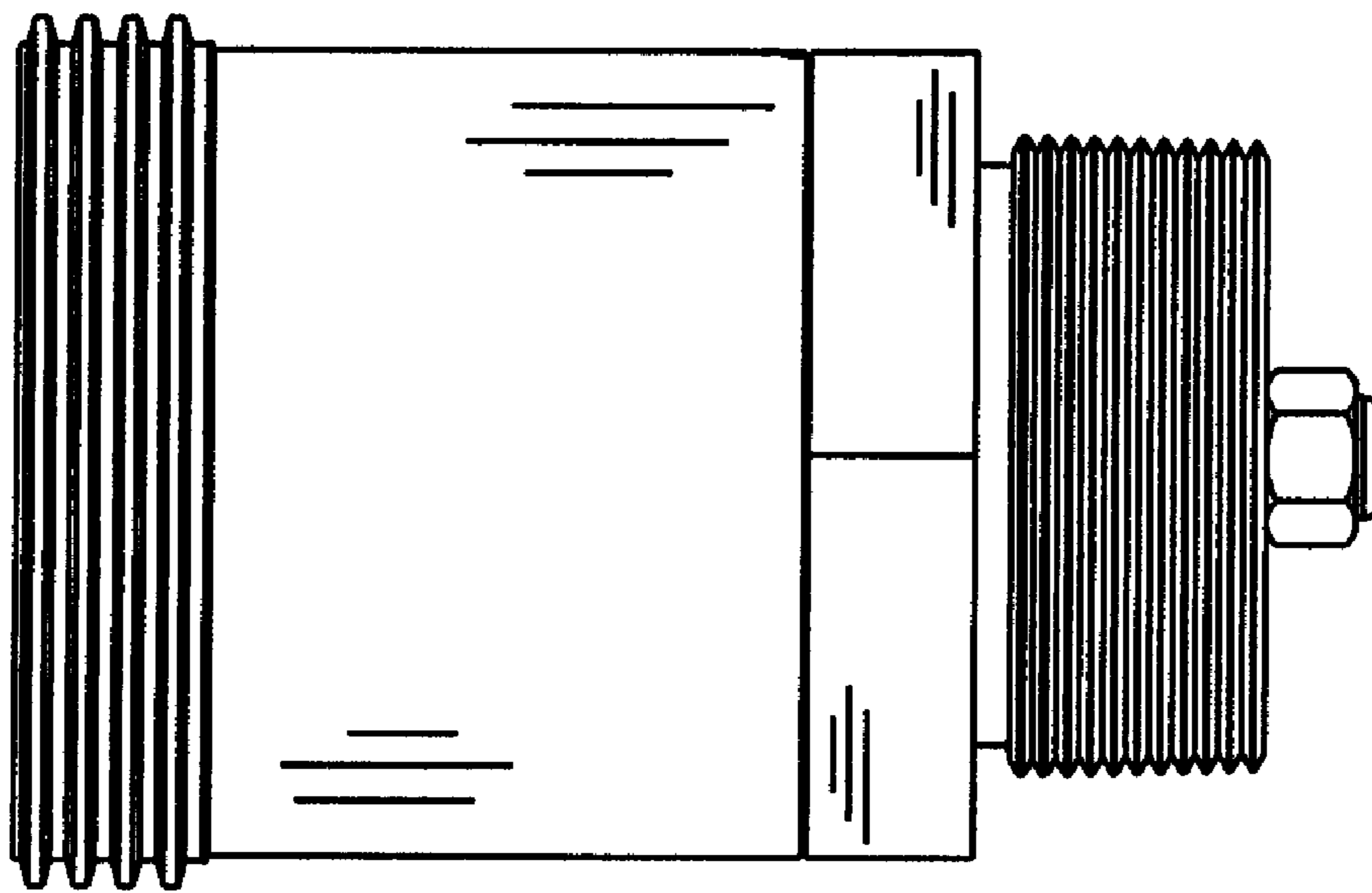




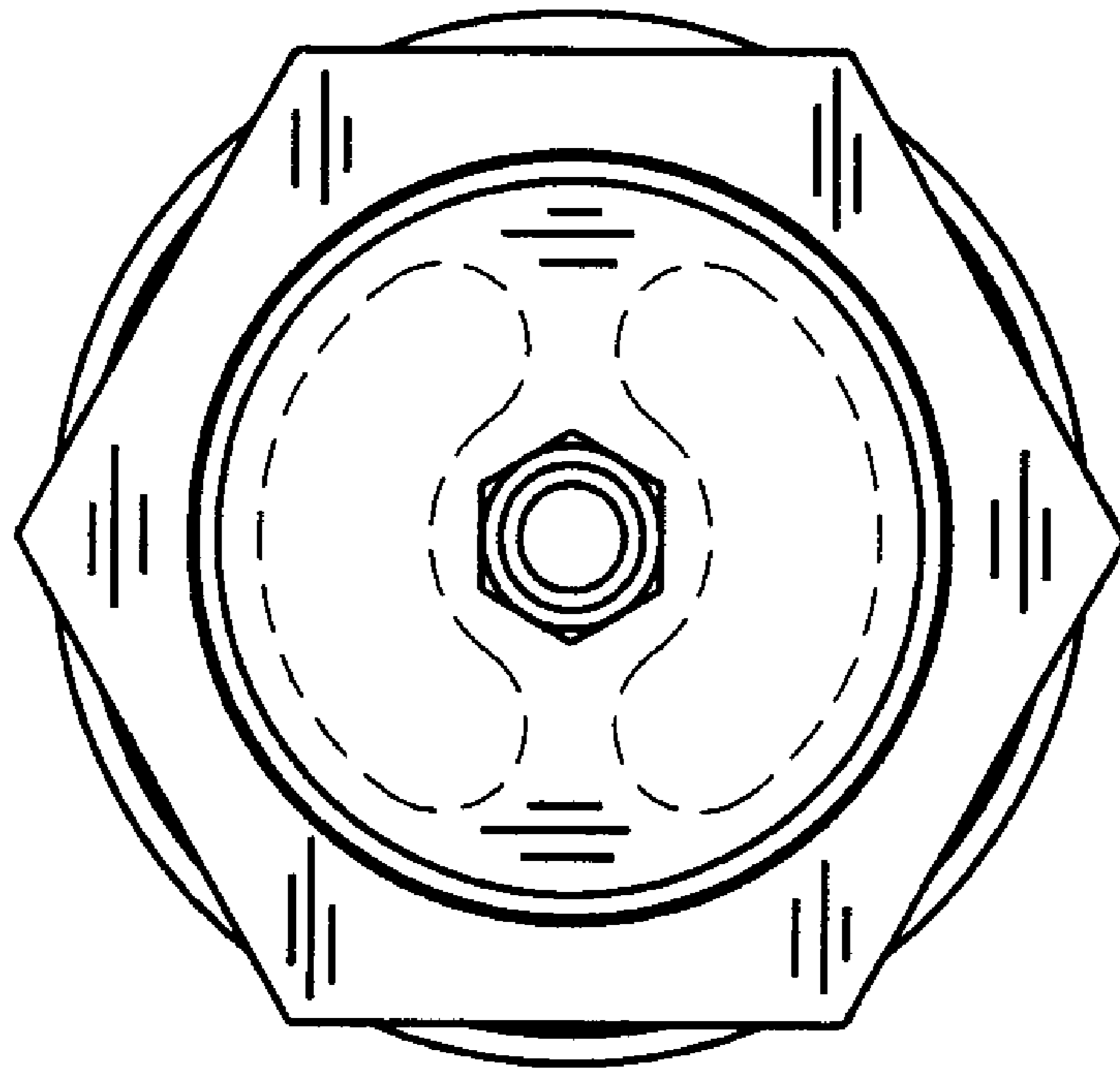
**FIG. 1**



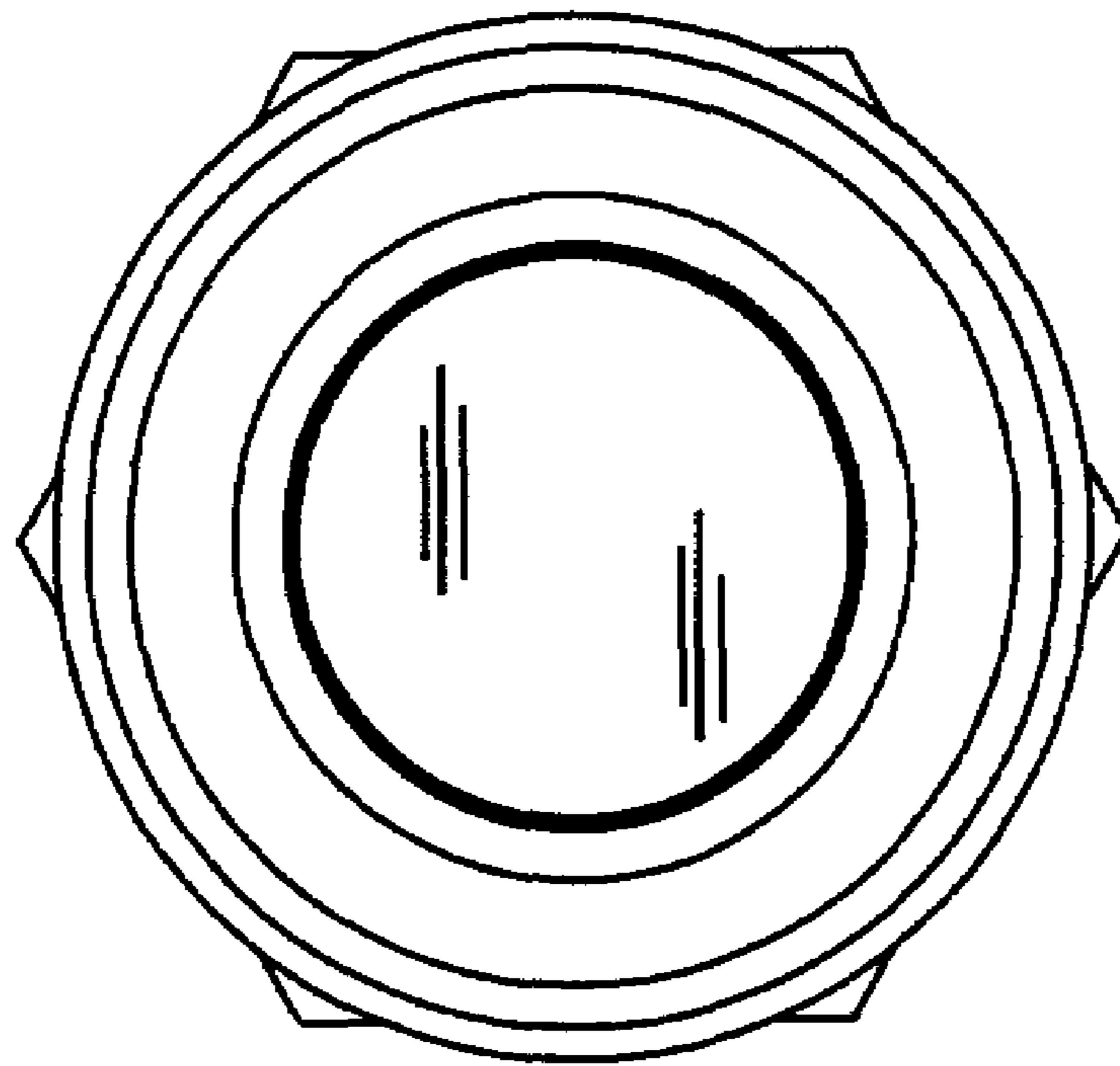
**FIG. 2**



**FIG. 3**



**FIG. 4**



**FIG. 5**

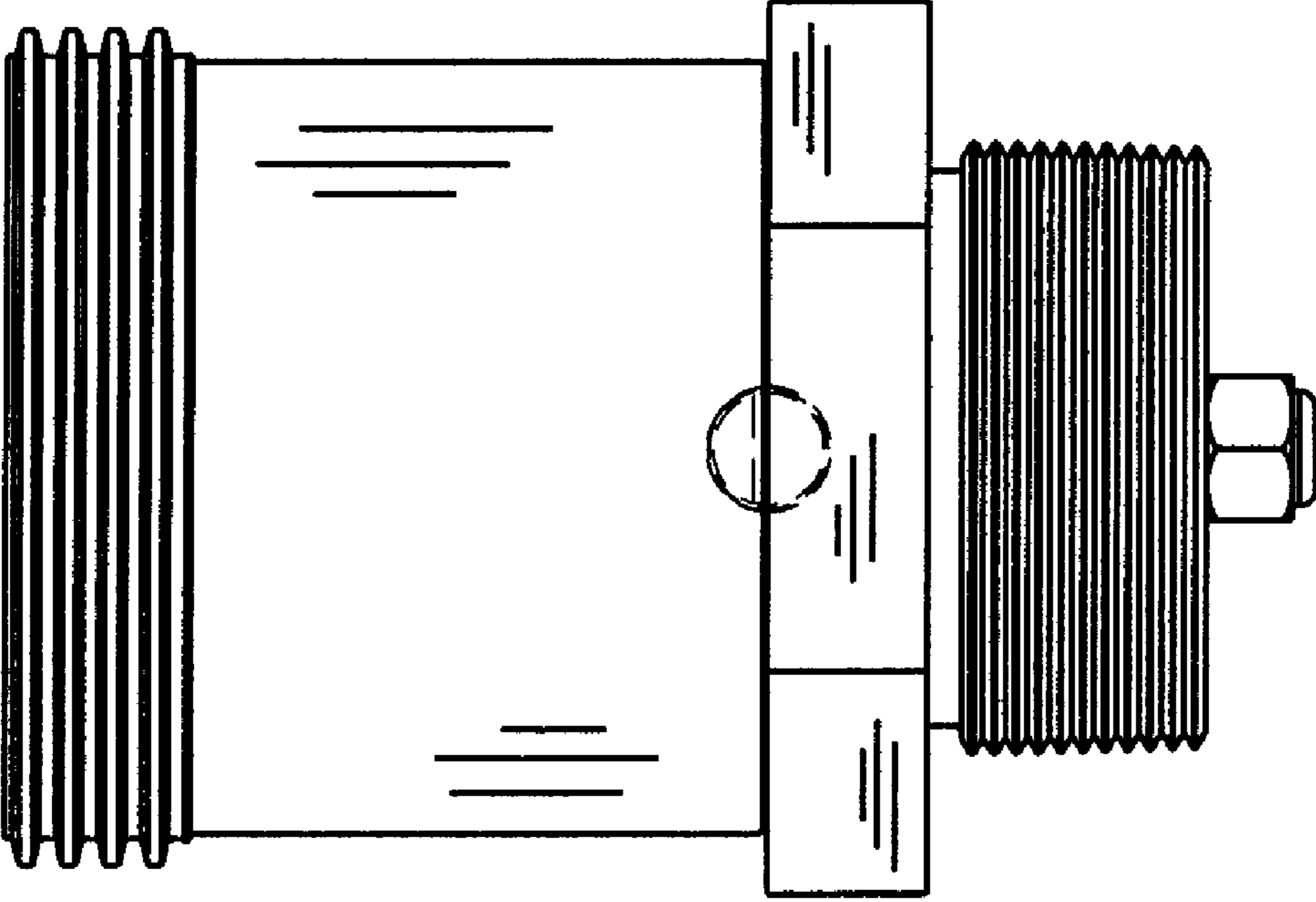


FIG. 6