



US00D602563S

(12) **United States Design Patent**
Ito et al.

(10) **Patent No.:** **US D602,563 S**

(45) **Date of Patent:** **** Oct. 20, 2009**

(54) **MOTOR DRIVEN VALVE**

(75) Inventors: **Masaharu Ito**, Tokyo (JP); **Takao Harada**, Tokyo (JP)

(73) Assignee: **Fujikoki Corporation**, Tokyo (JP)

(**) Term: **14 Years**

(21) Appl. No.: **29/317,726**

(22) Filed: **May 6, 2008**

(30) **Foreign Application Priority Data**

Mar. 18, 2008 (JP) 2008-006616

(51) **LOC (9) Cl.** **23-01**

(52) **U.S. Cl.** **D23/233**

(58) **Field of Classification Search** D23/233-237,
D23/244-249, 260-266; 251/30.03, 30.04,
251/249, 45, 129.04, 318, 319, 326; 137/801,
137/549, 624.11; 4/675-678; 138/103, 109-110
See application file for complete search history.

(56) **References Cited**

U.S. PATENT DOCUMENTS

D341,187 S * 11/1993 Stachowiak D23/233

D367,103 S * 2/1996 Lobermeier D23/235
D367,517 S * 2/1996 Sabio et al. D23/235
D380,526 S * 7/1997 Pullen D23/245
D395,485 S * 6/1998 Deaso, Sr. D23/245
D522,616 S * 6/2006 Minnick et al. D23/233

* cited by examiner

Primary Examiner—Cathron C. Brooks

Assistant Examiner—Maurice Stevens

(74) *Attorney, Agent, or Firm*—Westerman, Hattori, Daniels & Adrian, LLP

(57) **CLAIM**

The ornamental design for a motor driven valve, as shown and described.

DESCRIPTION

FIG. 1 is a perspective view of the motor driven valve;
FIG. 2 is a front view thereof;
FIG. 3 is a plan view thereof;
FIG. 4 is a bottom view thereof;
FIG. 5 is a left side view thereof; and,
FIG. 6 is a right side thereof.

1 Claim, 4 Drawing Sheets

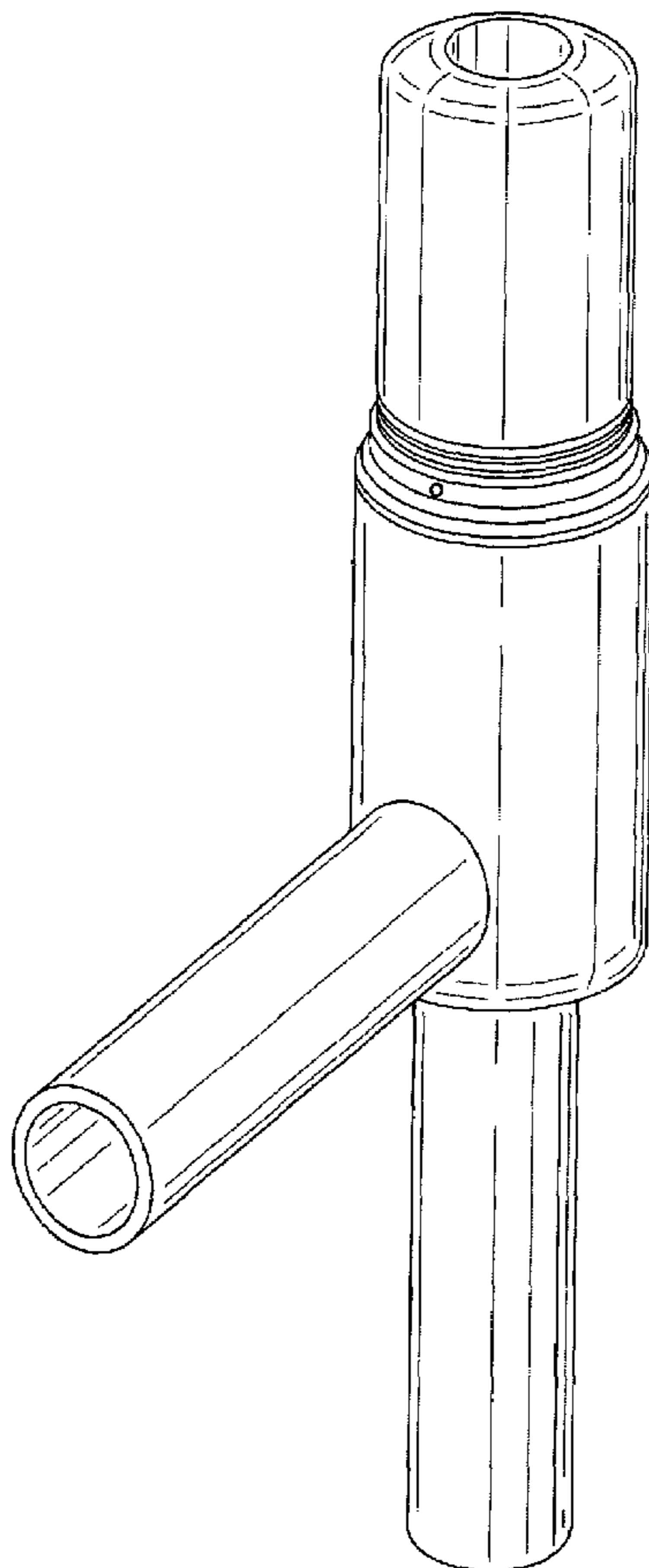


FIG. 1

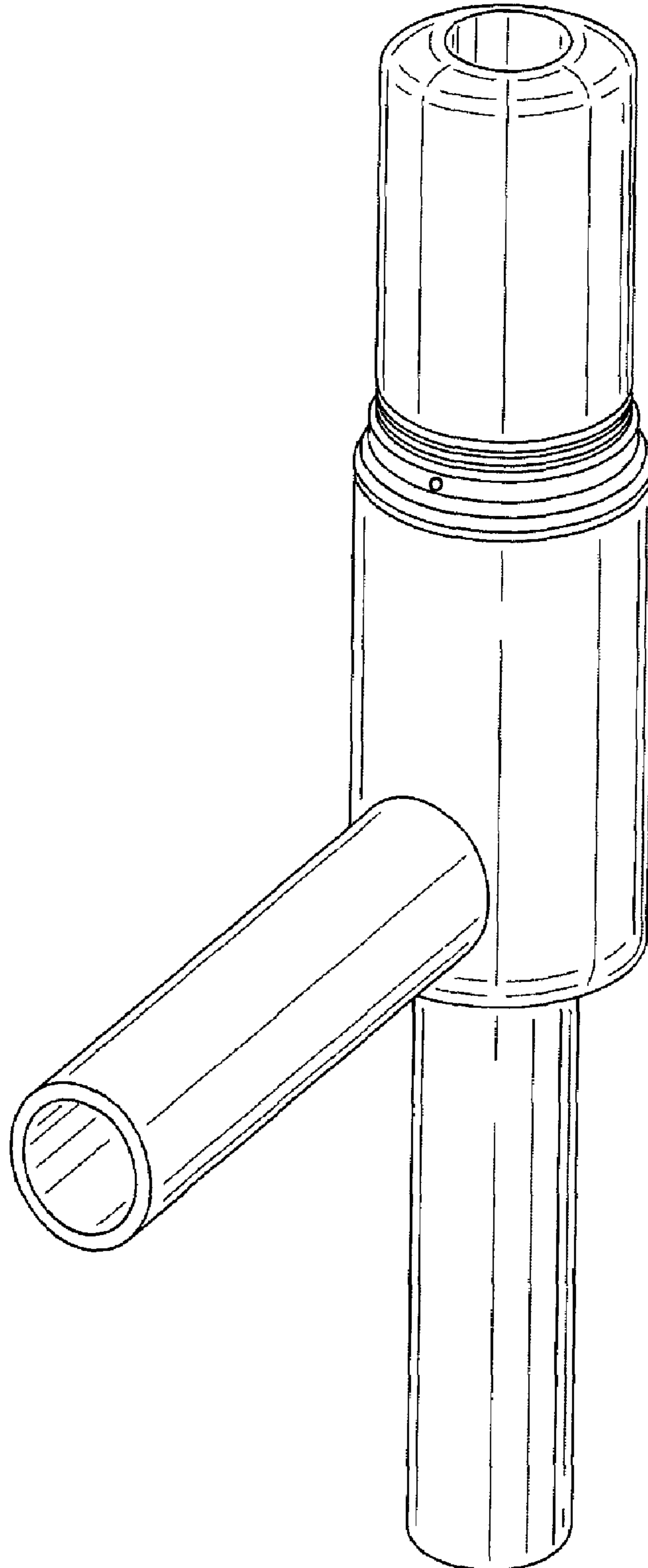


FIG. 2

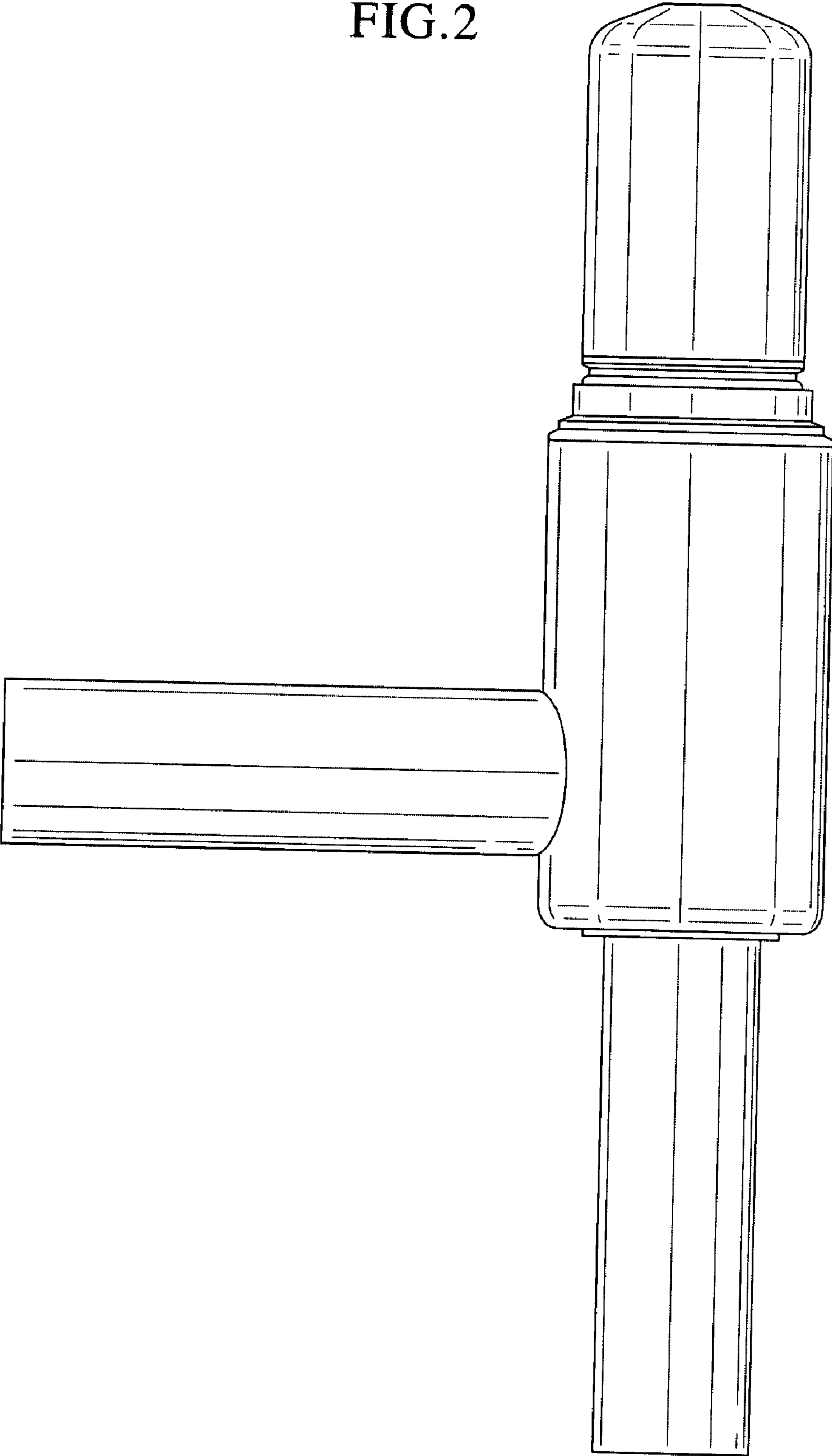


FIG.3

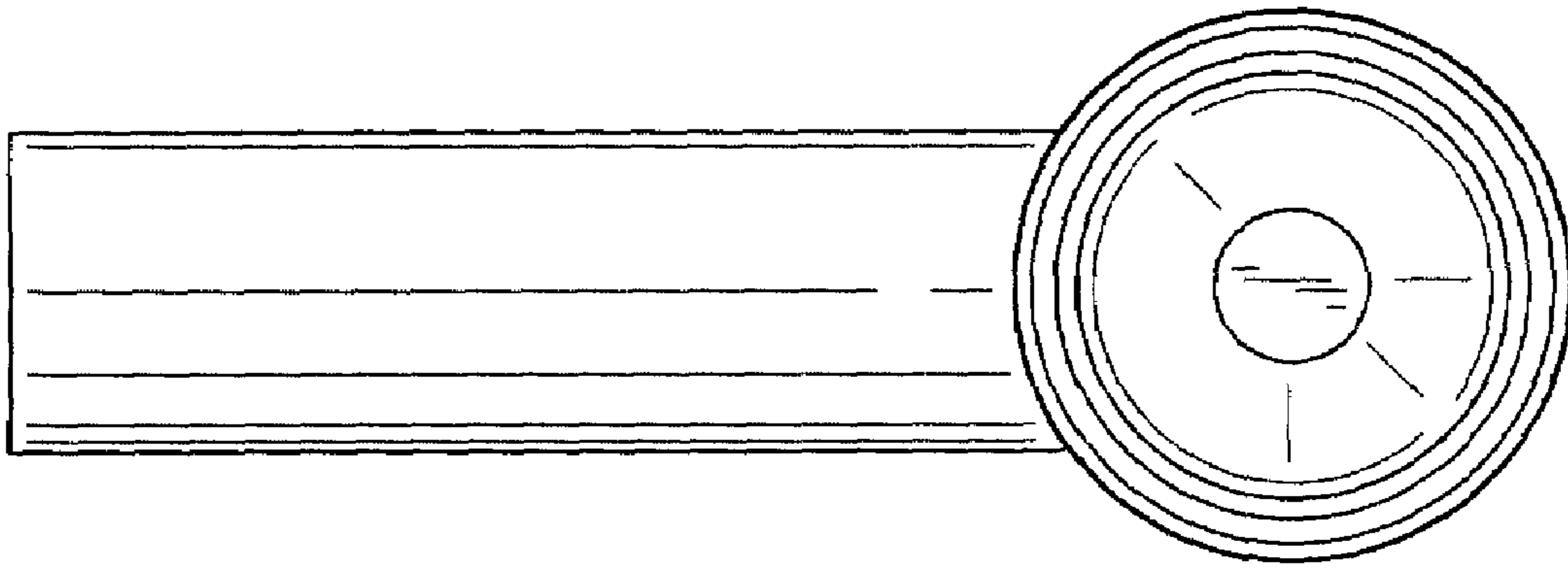


FIG.4

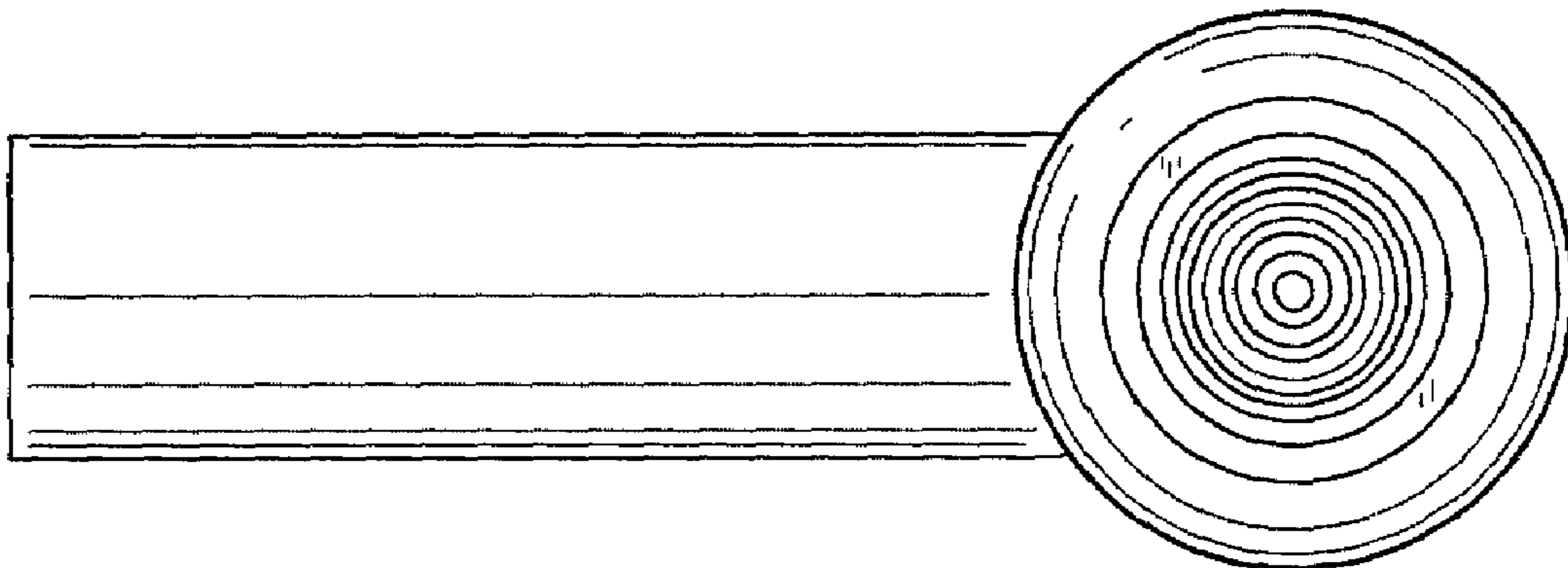


FIG.5

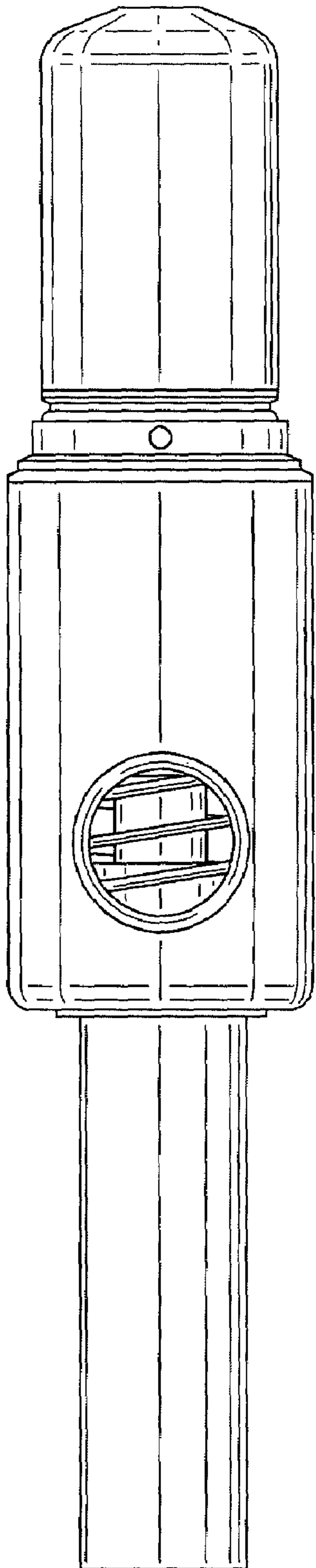


FIG.6

