



US00D602560S

(12) **United States Design Patent**
Shimura et al.

(10) **Patent No.:** **US D602,560 S**

(45) **Date of Patent:** **** Oct. 20, 2009**

(54) **EXPANSION VALVE**

D529,990 S * 10/2006 Kobayashi et al. D23/233

* cited by examiner

(75) Inventors: **Tomonori Shimura**, Tokyo (JP); **Eiji Fukuda**, Tokyo (JP)

Primary Examiner—Cathron C. Brooks

Assistant Examiner—Maurice Stevens

(73) Assignee: **Fujikoki Corporation**, Tokyo (JP)

(74) *Attorney, Agent, or Firm*—Westerman, Hattori, Daniels & Adrian, LLP.

(**) Term: **14 Years**

(57) **CLAIM**

(21) Appl. No.: **29/304,563**

The ornamental design for expansion valve, as shown and described.

(22) Filed: **Mar. 4, 2008**

(30) **Foreign Application Priority Data**

DESCRIPTION

Sep. 27, 2007 (JP) 2007-026215

FIG. 1 is a bottom perspective view of an expansion valve, showing our new design;

(51) **LOC (9) Cl.** **23-01**

FIG. 2 is a front view thereof;

(52) **U.S. Cl.** **D23/233**

FIG. 3 is a rear view thereof;

(58) **Field of Classification Search** D23/233–237, D23/244–249; 137/625.48; 251/14, 64; 62/222–225, 197, 115, 527, 210; 236/63–64, 236/66, 92 B; 285/189, 208, 211, 368
See application file for complete search history.

FIG. 4 is a plan view thereof;

FIG. 5 is a bottom view thereof;

FIG. 6 is a left side view thereof;

FIG. 7 is a right side view thereof;

FIG. 8 is a cross-section of A—A line thereof; and,

FIG. 9 is a cross-section of B—B line thereof.

The broken line showing of unclaimed portions in FIGS. 8 and 9 forms no part of the claimed design.

(56) **References Cited**

U.S. PATENT DOCUMENTS

D494,657 S * 8/2004 Kobayashi et al. D23/233

D502,252 S * 2/2005 Fukuda et al. D23/233

1 Claim, 5 Drawing Sheets

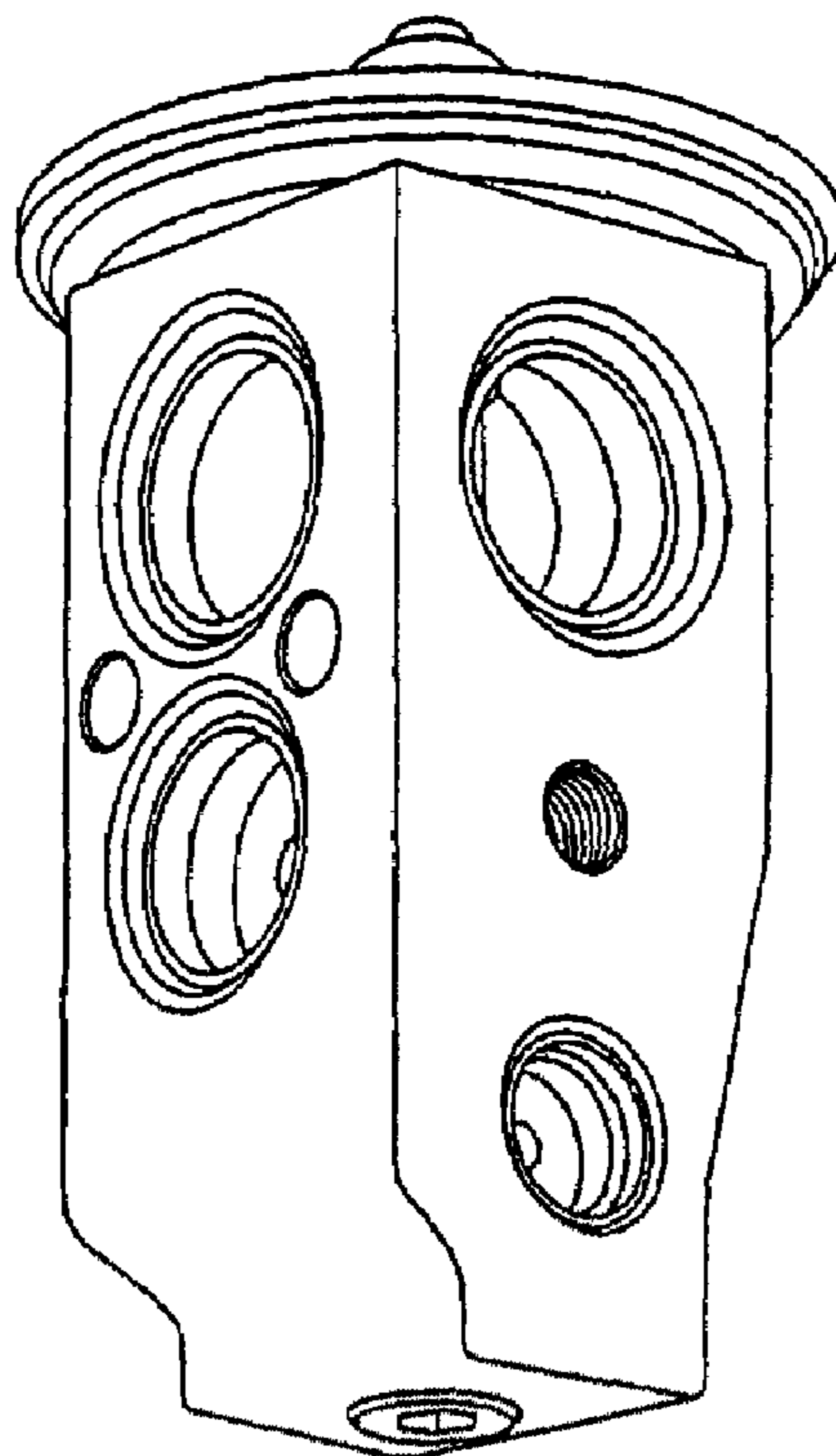


FIG. 1

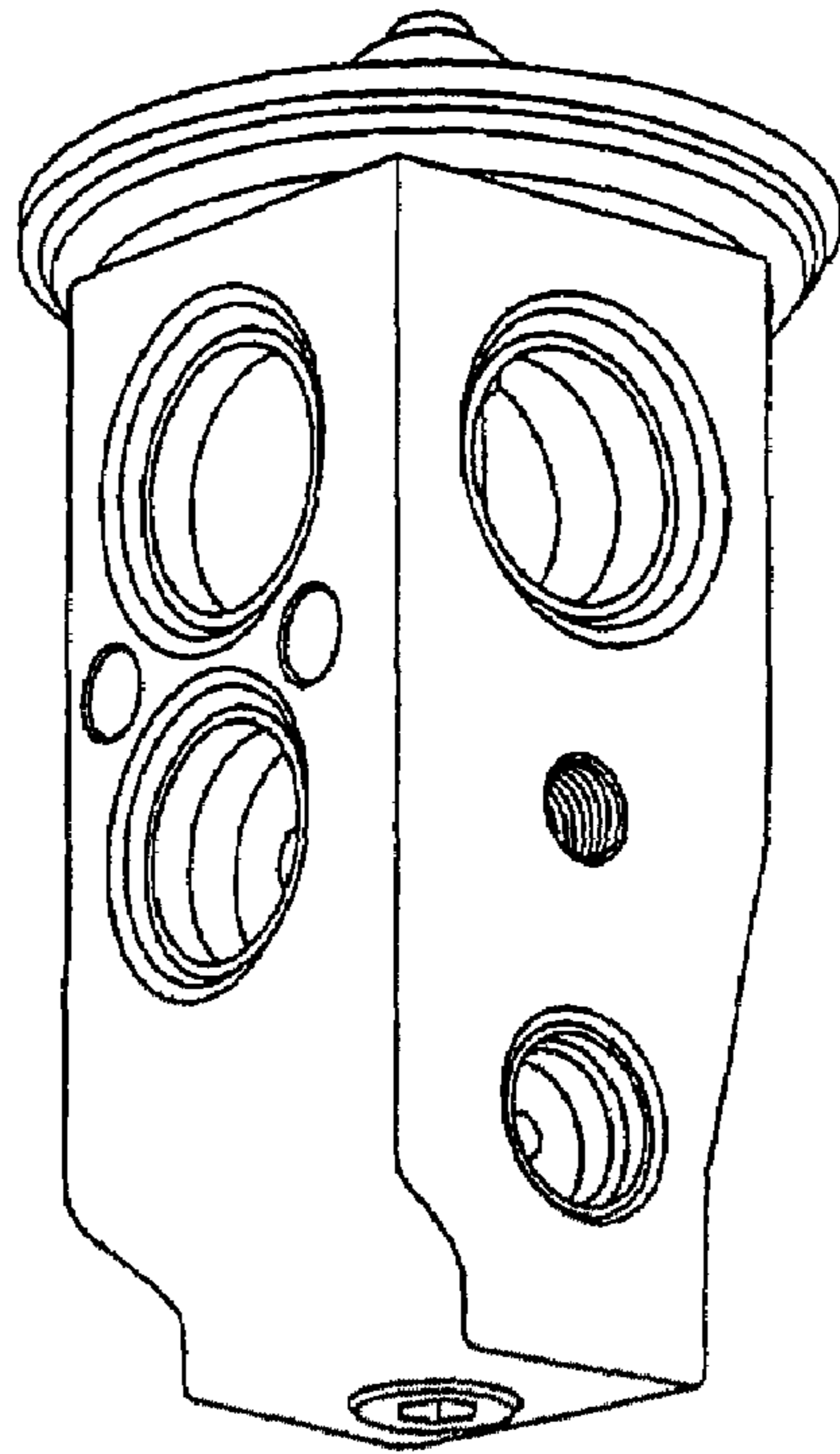


FIG. 2

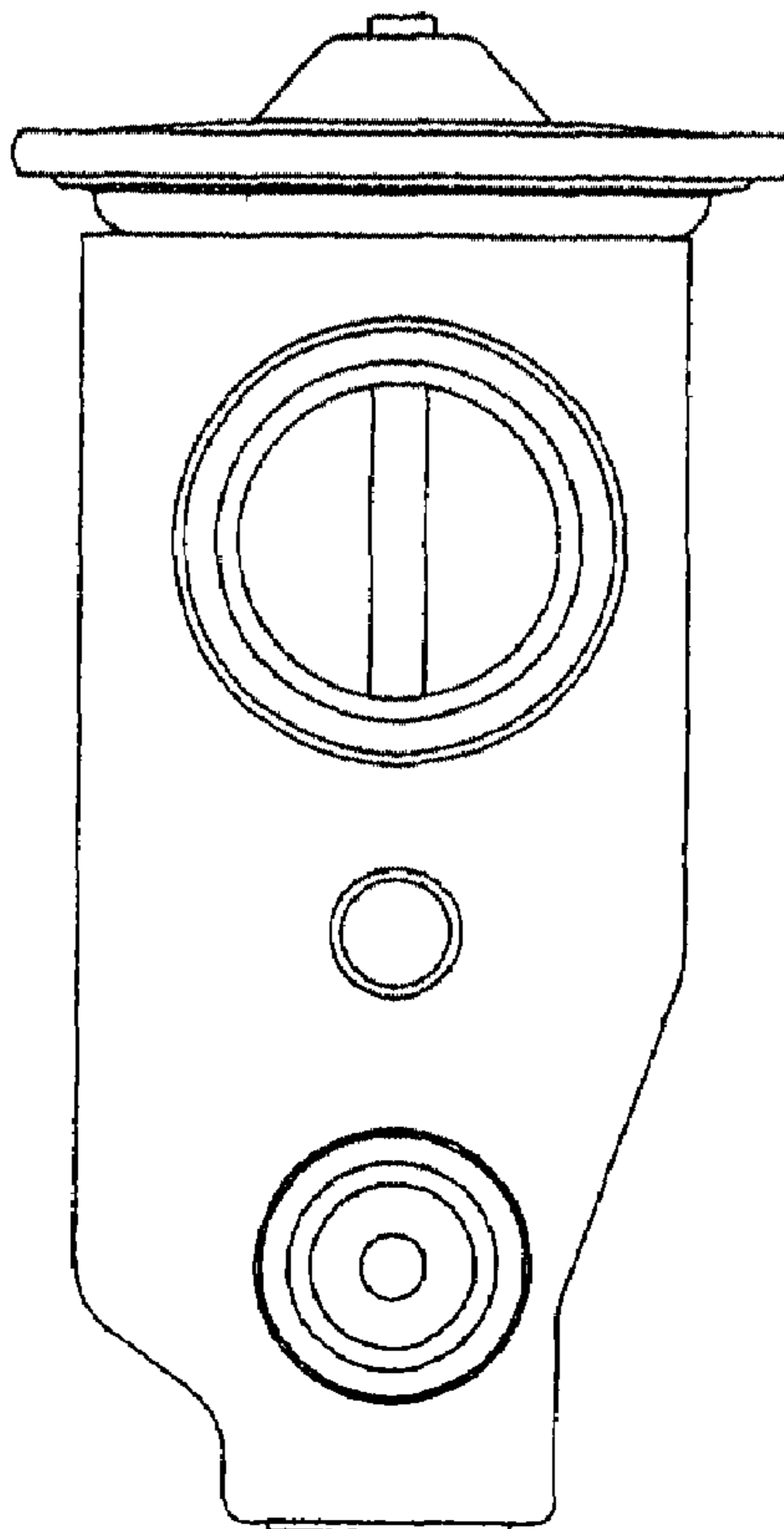


FIG. 3

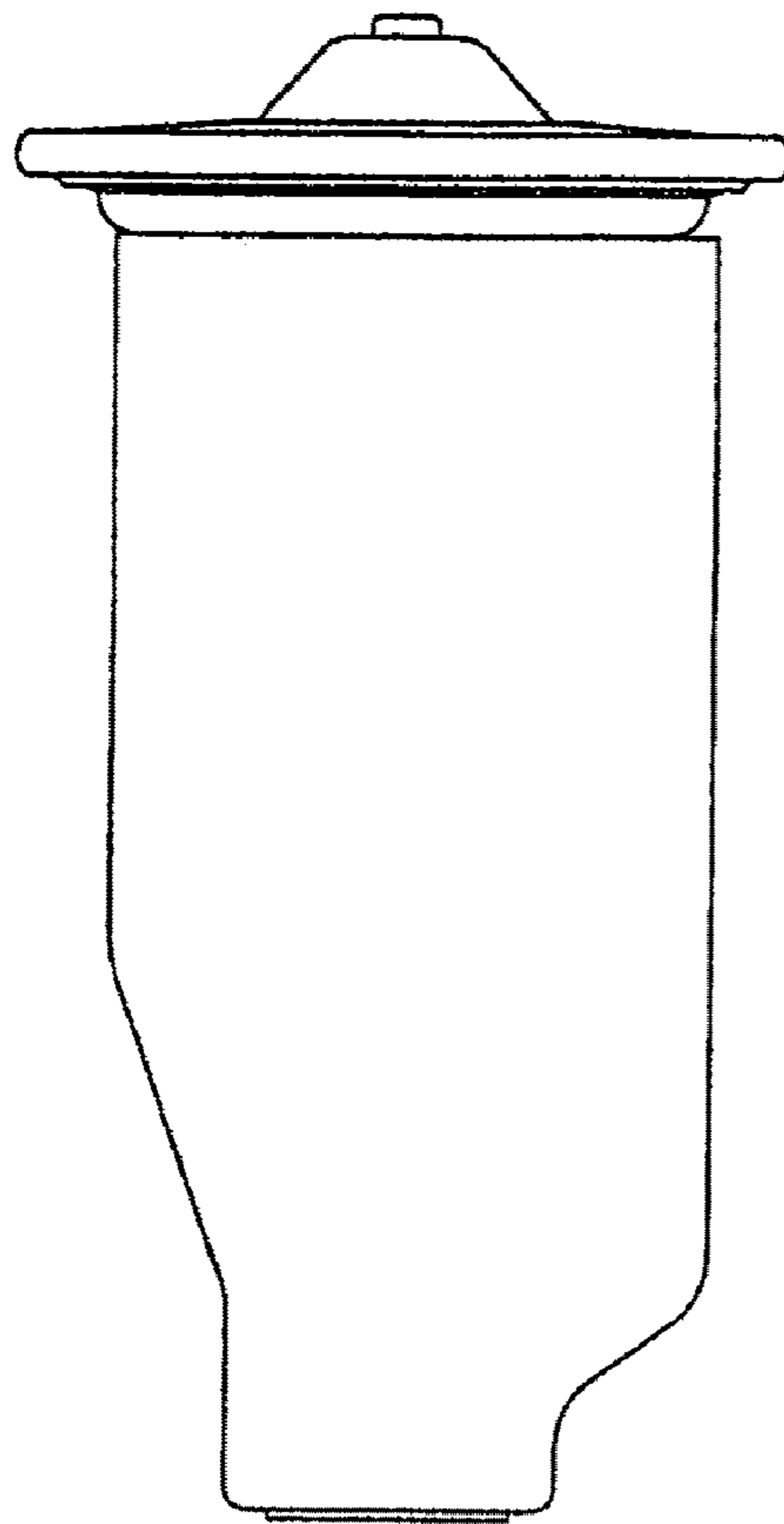


FIG. 4

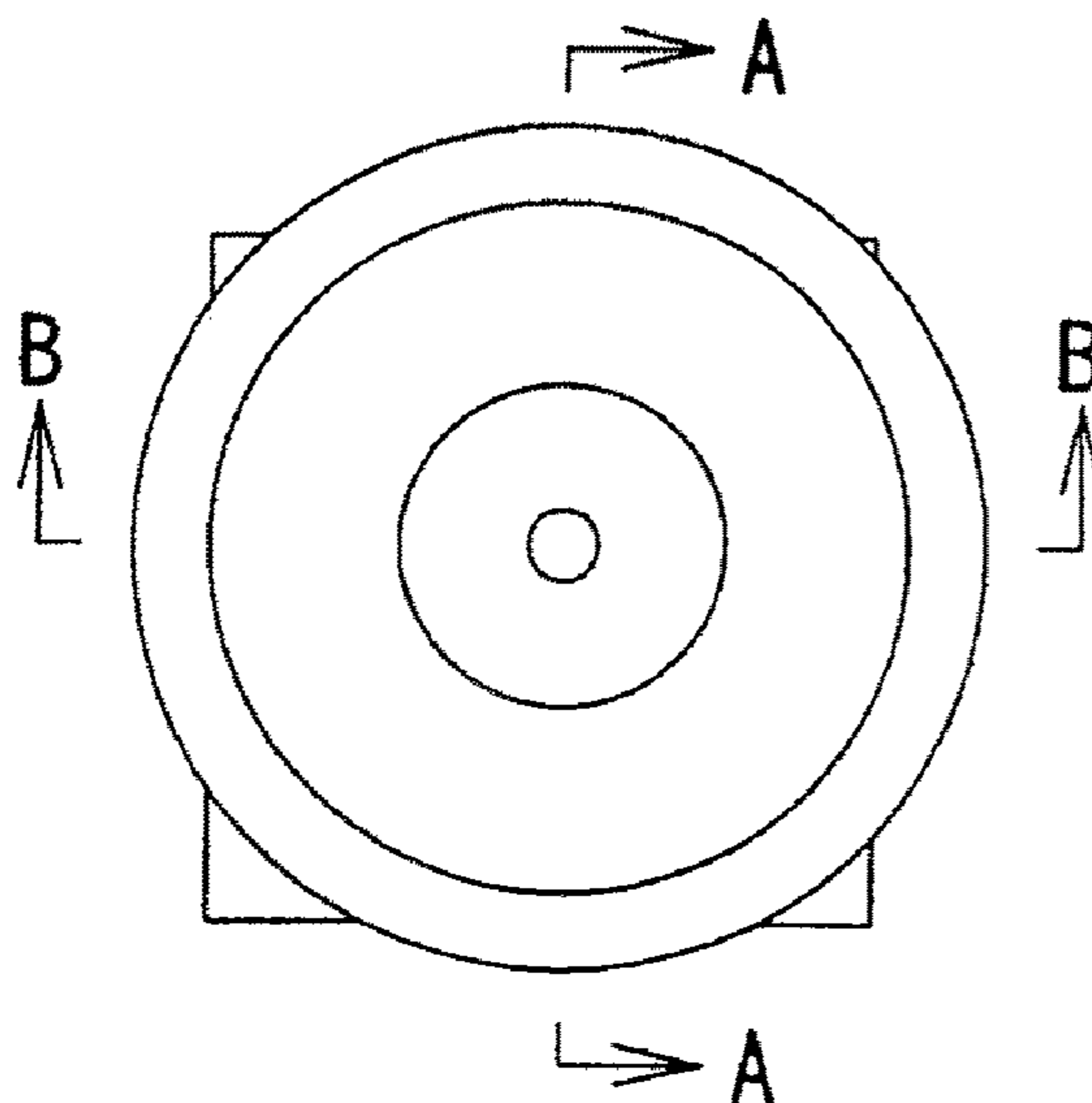


FIG. 5

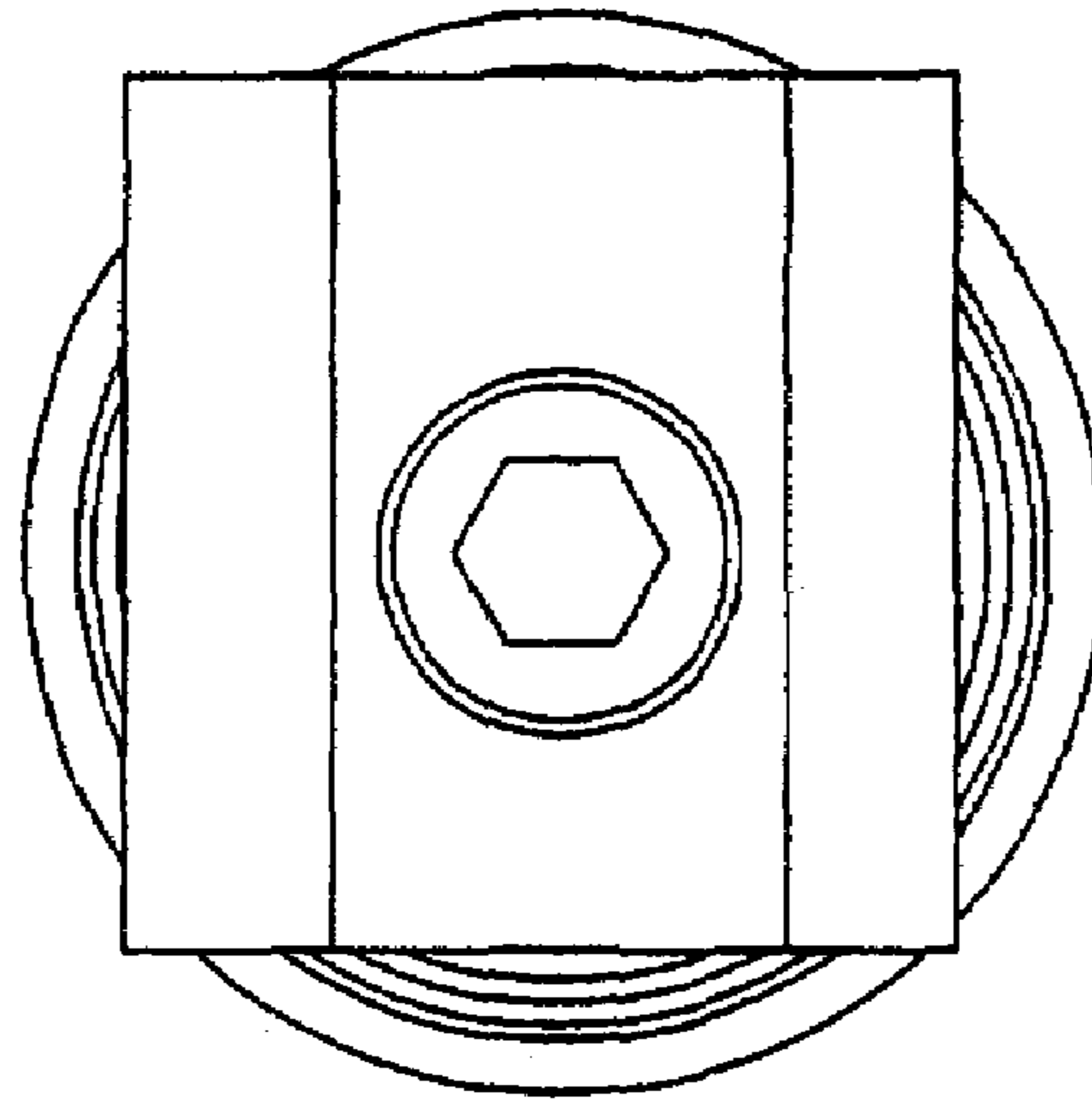


FIG. 6

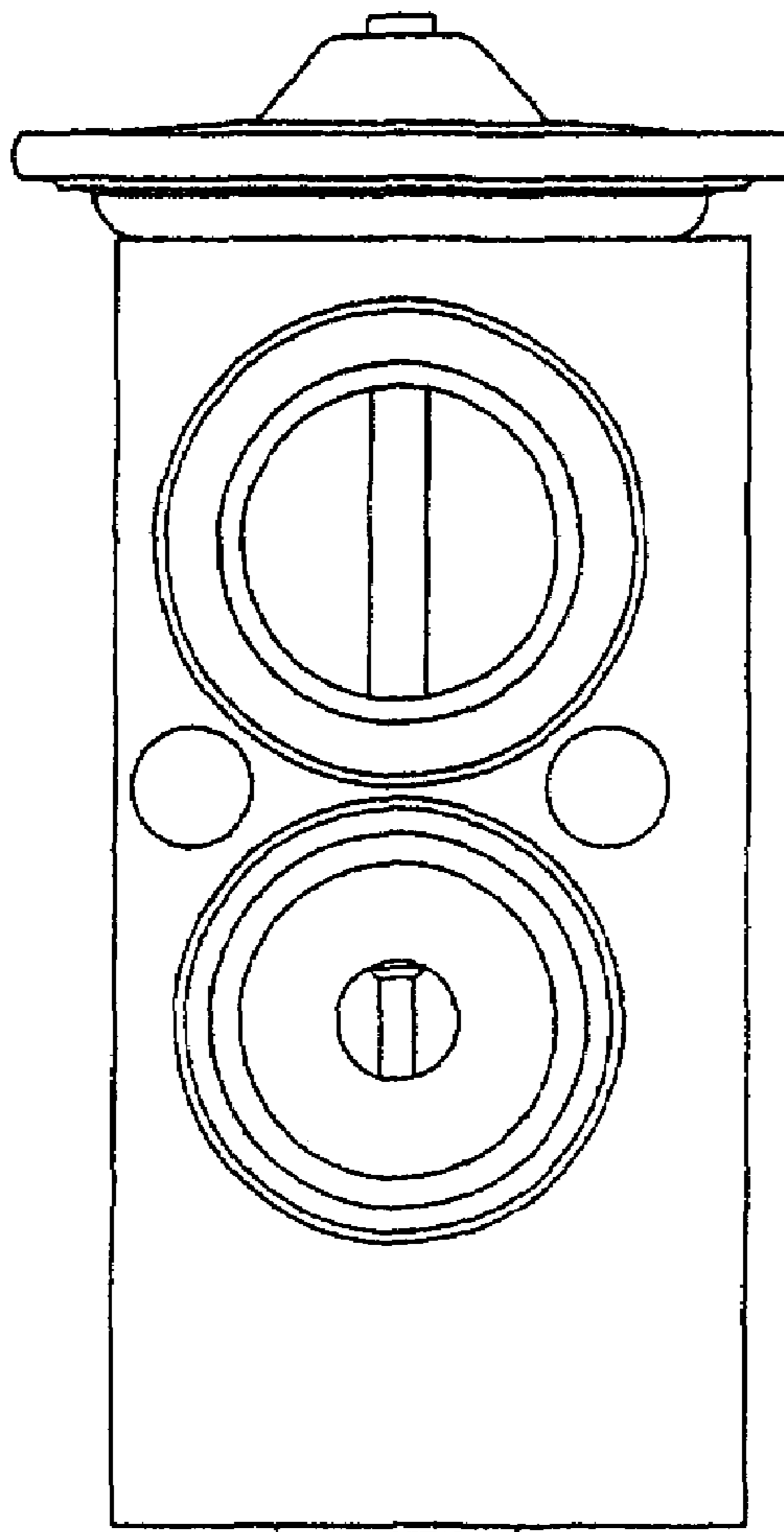


FIG.7

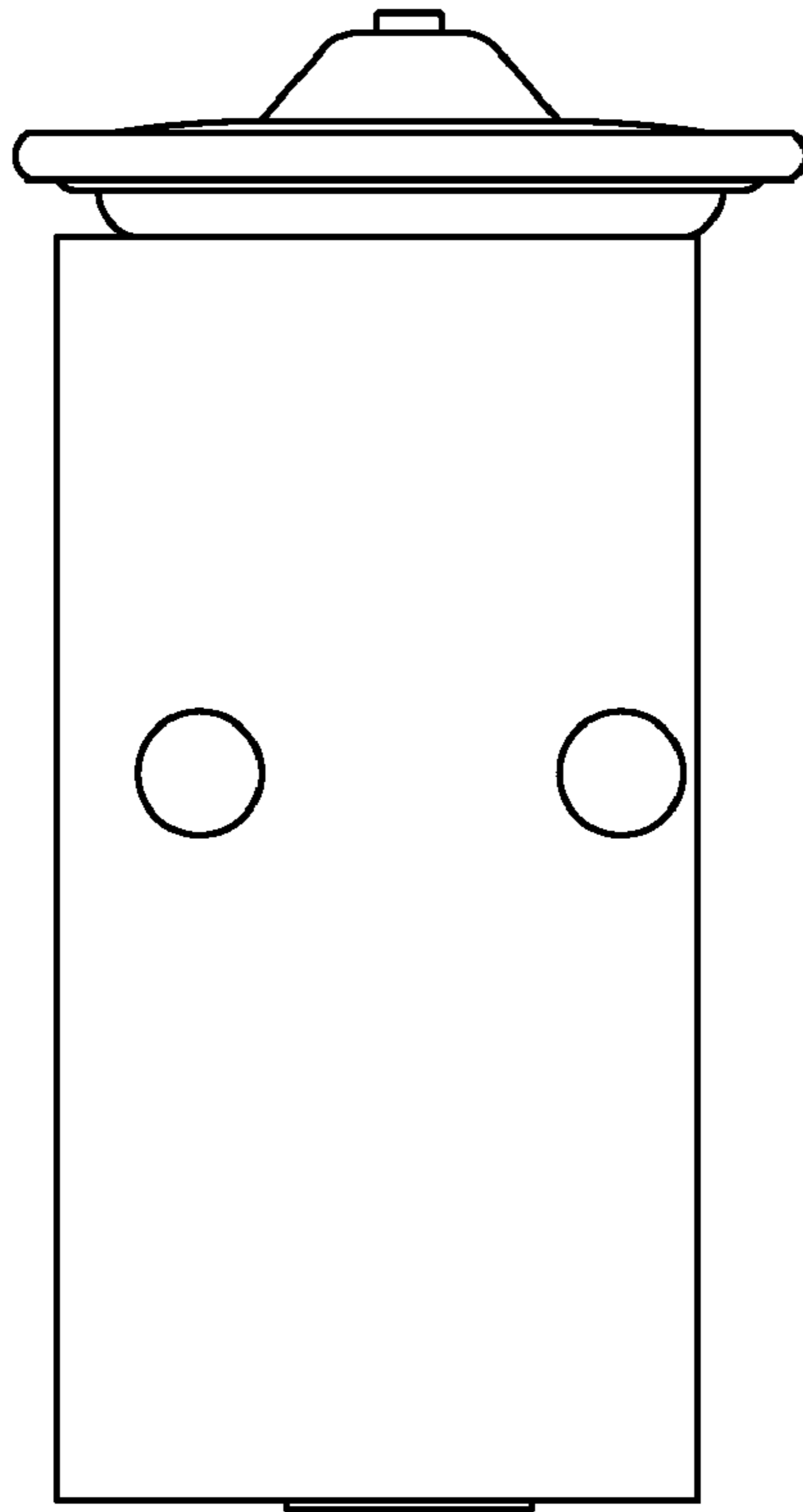


FIG.8

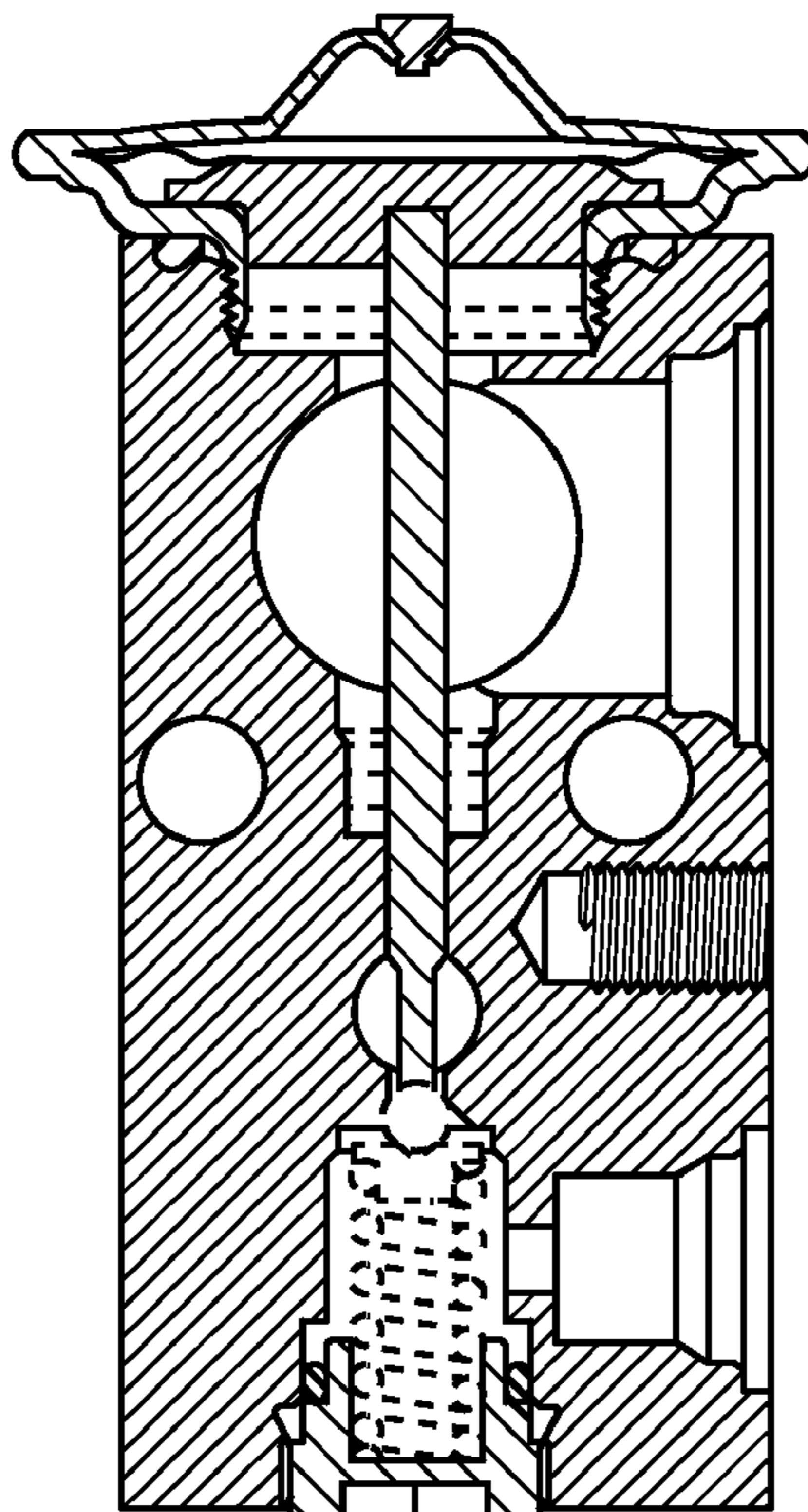


FIG.9

